

LT4320

3-Phase Ideal Diode Bridge

DESCRIPTION

Demonstration circuit 2465A is a 3-phase ideal diode bridge using three LT[®]4320 controllers and six N-channel FETs. This demo board provides highly efficient 3-phase rectification with an input voltage range from 5VAC to 28VAC RMS (line to neutral) and maximum load current of 25A.

High efficiency 3-phase rectification is achieved by using six low $R_{DS(ON)}$ (3.3m Ω typical) N-channel FETs instead of the six diodes used in a conventional 3-phase diode bridge. This solution reduces heat dramatically and eases

thermal design requirements. Furthermore, power lost to the diodes is available to the application.

The 3-phase ideal diode bridge eliminates a costly heat sink and active cooling solutions required with a conventional 3-phase diode bridge. Overall solution cost and size can be dramatically reduced.

Design files for this circuit board are available at <http://www.linear.com/demo/DC2465A>

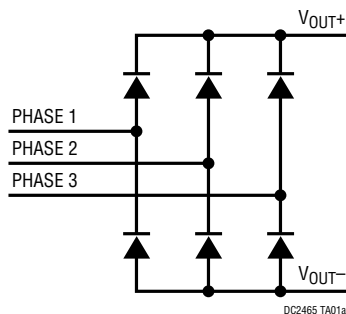
LT, LT, LTC, LTM, Linear Technology and the Linear logo are registered trademarks of Linear Technology Corporation. All other trademarks are the property of their respective owners.

PERFORMANCE SUMMARY Specifications are at T_A = 25°C

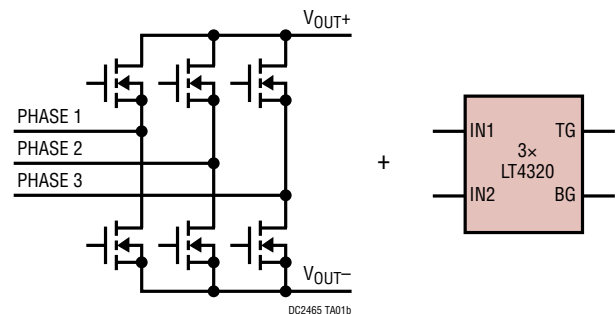
PARAMETER	CONDITIONS	MIN	TYP	MAX	UNITS
Input Voltage	Line to Neutral AC RMS Voltage	5		28	V
	Line to Line AC RMS Voltage	9		48	V
Output Voltage	DC Voltage			70	V
Output Current	Without Forced Airflow			25	A
Input Line Frequency				400	Hz

TYPICAL APPLICATION

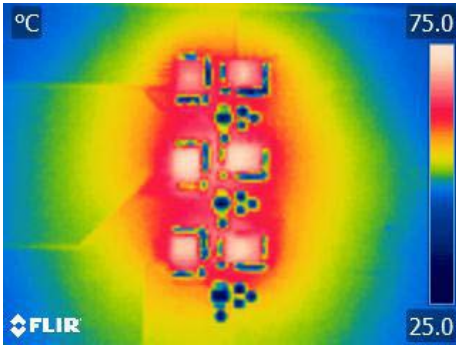
3-Phase Diode Bridge
84% Efficiency at 5VAC RMS L-N, 25A



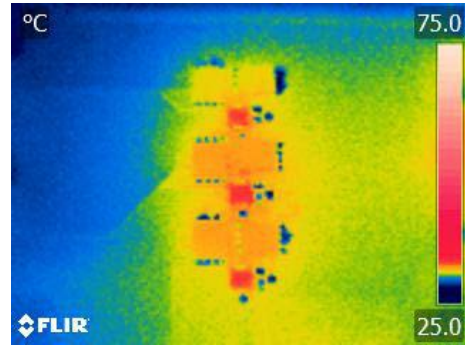
3-Phase Ideal Diode Bridge
97% Efficiency at 5VAC RMS L-N, 25A



THERMAL PERFORMANCE COMPARISON



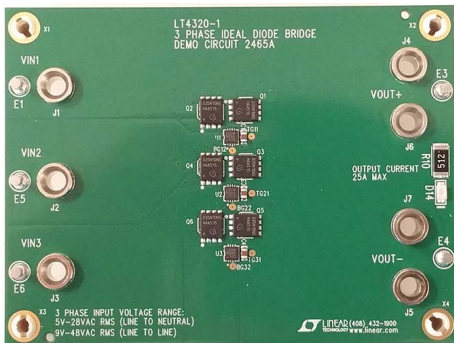
Conventional 3-Phase Diode Bridge, 48°C Temperature Rise
PDS5100H



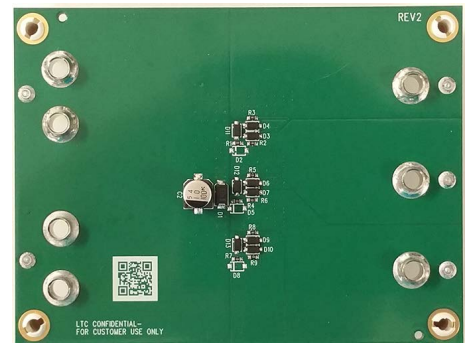
3-Phase Ideal Diode Bridge, 10°C Temperature Rise
Infineon BSC035N10NS5ATMA1

Figure 1. Conditions: 24VAC RMS (L-N), 5A Load Current, Without Forced Airflow

BOARD PHOTOS



Top Side



Bottom Side

QUICK START PROCEDURE

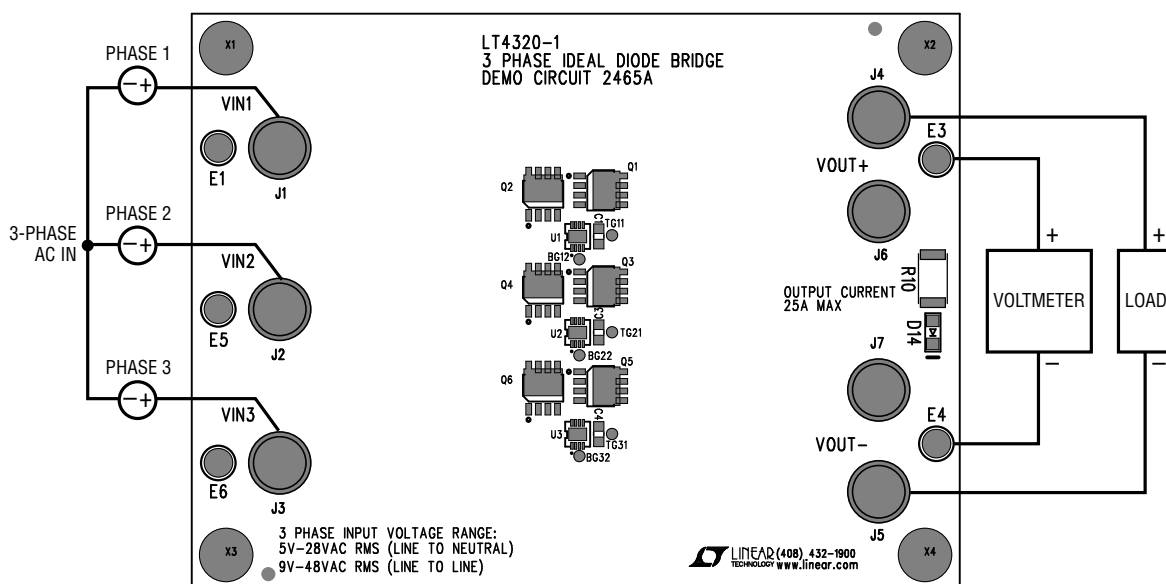
Refer to Figure 2 for proper equipment setup and follow the procedure below:

1. Verify that the output voltage of the 3-phase AC source is within the input voltage range of the DC2465A as shown in Table 1. Turn off the 3-phase AC source. Connect the 3-phase AC source to VIN1, VIN2, and VIN3 as shown in Figure 2.

2. Connect a load and a voltmeter across VOUT+ to VOUT- as shown in Figure 2. Turn down the load current to zero. Put the voltmeter in DC volt measurement mode.
3. Raise the output voltage of the 3-phase AC source to the desired level. Check the output voltage with the voltmeter.
4. Raise the load current to desired level. Make sure the load current is within the maximum load current as shown in Table 1.

Table 1. Input Voltage and Output Current Specification

Input Voltage	Maximum Load Current
5VAC to 28VAC RMS (Line to Neutral) 9VAC to 48VAC RMS (Line to Line)	25A (Without Forced Airflow or Heat sink)



DC2447 F03

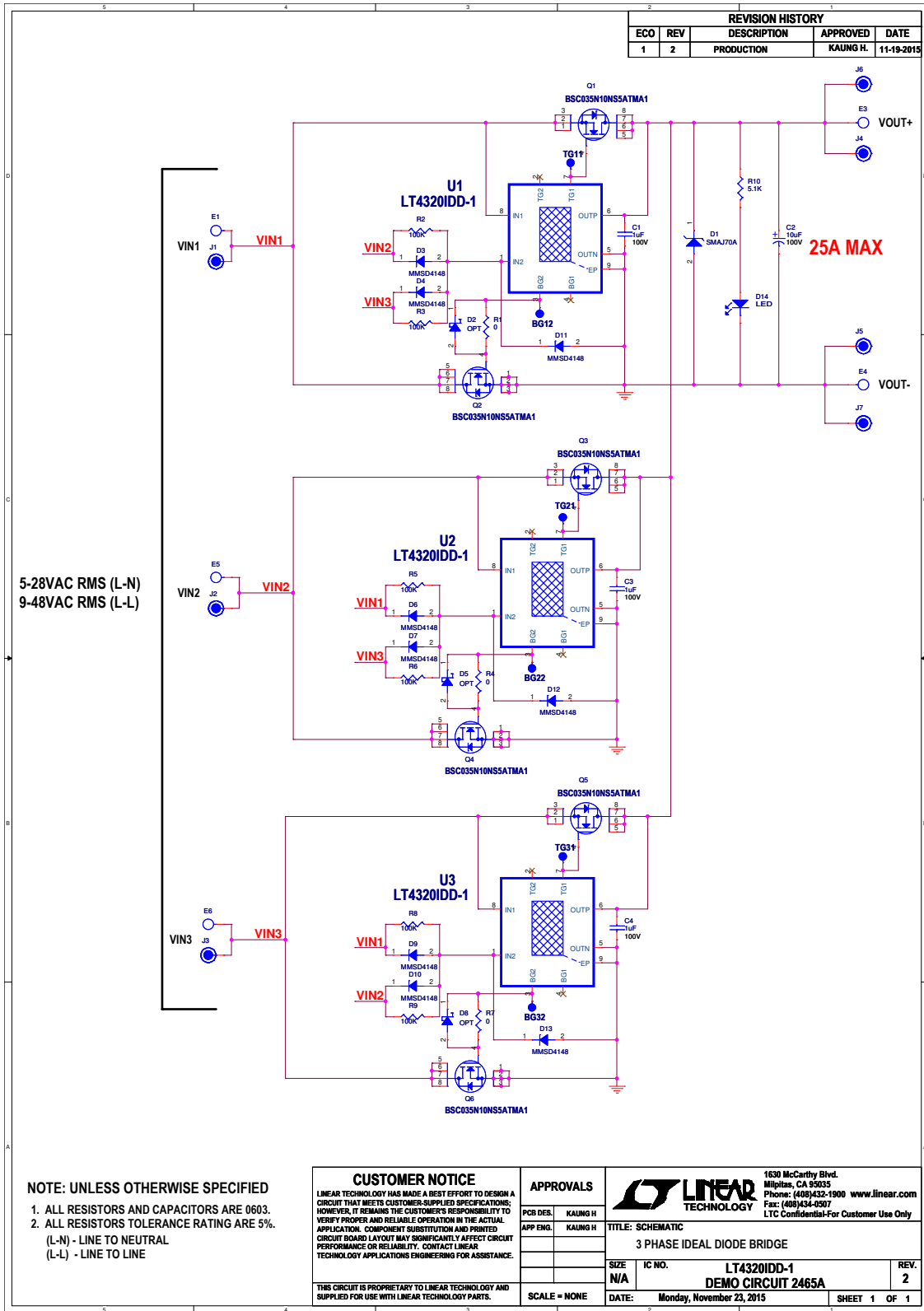
Figure 2. Setup Diagram

DEMO MANUAL DC2465A

PARTS LIST

ITEM	QTY	REFERENCE	PART DESCRIPTION	MANUFACTURER/PART NUMBER
Required Circuit Components				
1	3	C1, C3, C4	CAP, CER, X7S 1 μ F 100V 20% 0805	TDK C2012X7S2A105M125AB
2	1	C2	CAP, ELE, 10 μ F 100V 20% 6.3X6.0	SUNCON 100CE-10KX
3	9	D3, D4, D6, D7, D9, D10, D11, D12, D13	DIODE, SCHOTTKY, MMSD4148 100V SOD123	FAIRCHILD MMSD4148
4	6	Q1, Q2, Q3, Q4, Q5, Q6	MOSFET, N-CH, BSC035N10NS5ATMA1 100V PG-TDSON-8	INFINEON BSC035N10NS5ATMA1
5	6	R2, R3, R5, R6, R8, R9	RES, CHIP, 100k 5% 0603	VISHAY CRCW0603100KJNEA
6	3	U1, U2, U3	IC, LT4320IDD-1	LINEAR TECH LT4320IDD-1#PBF
Additional Demo Board Circuit Components				
1	1	D1	DIODE, TVS, SMAJ70A 70V SMA	LITTELFUSE SMAJ70A
2	3	D2, D5, D8	DIODE, OPT SOD123	OPT
3	1	D14	DIODE, LED	ROHM SML-010FTT86L
4	5	E1, E3, E4, E5, E6	CONN, TURRET, MILL-MAX-2501	MILL-MAX 2501
5	7	J1, J2, J3, J4, J5, J6, J7	CONN, BANANA JACK	KEYSTONE 575-4
6	3	R1, R4, R7	RES, CHIP, 0 Ω SHUNT 0603	VISHAY CRCW06030000Z0EA
7	1	R10	RES, CHIP, 5.1k 5% 2512	VISHAY CRCW25125K10JNEG
8	4	MH1-MH4	STAND-OFF, NYLON 0.50" TALL (SNAP ON)	KEYSTONE 8833

SCHEMATIC DIAGRAM



DEMO MANUAL DC2465A

DEMONSTRATION BOARD IMPORTANT NOTICE

Linear Technology Corporation (LTC) provides the enclosed product(s) under the following **AS IS** conditions:

This demonstration board (DEMO BOARD) kit being sold or provided by Linear Technology is intended for use for **ENGINEERING DEVELOPMENT OR EVALUATION PURPOSES ONLY** and is not provided by LTC for commercial use. As such, the DEMO BOARD herein may not be complete in terms of required design-, marketing-, and/or manufacturing-related protective considerations, including but not limited to product safety measures typically found in finished commercial goods. As a prototype, this product does not fall within the scope of the European Union directive on electromagnetic compatibility and therefore may or may not meet the technical requirements of the directive, or other regulations.

If this evaluation kit does not meet the specifications recited in the DEMO BOARD manual the kit may be returned within 30 days from the date of delivery for a full refund. **THE FOREGOING WARRANTY IS THE EXCLUSIVE WARRANTY MADE BY THE SELLER TO BUYER AND IS IN LIEU OF ALL OTHER WARRANTIES, EXPRESSED, IMPLIED, OR STATUTORY, INCLUDING ANY WARRANTY OF MERCHANTABILITY OR FITNESS FOR ANY PARTICULAR PURPOSE. EXCEPT TO THE EXTENT OF THIS INDEMNITY, NEITHER PARTY SHALL BE LIABLE TO THE OTHER FOR ANY INDIRECT, SPECIAL, INCIDENTAL, OR CONSEQUENTIAL DAMAGES.**

The user assumes all responsibility and liability for proper and safe handling of the goods. Further, the user releases LTC from all claims arising from the handling or use of the goods. Due to the open construction of the product, it is the user's responsibility to take any and all appropriate precautions with regard to electrostatic discharge. Also be aware that the products herein may not be regulatory compliant or agency certified (FCC, UL, CE, etc.).

No License is granted under any patent right or other intellectual property whatsoever. **LTC assumes no liability for applications assistance, customer product design, software performance, or infringement of patents or any other intellectual property rights of any kind.**

LTC currently services a variety of customers for products around the world, and therefore this transaction **is not exclusive**.

Please read the DEMO BOARD manual prior to handling the product. Persons handling this product must have electronics training and observe good laboratory practice standards. **Common sense is encouraged.**

This notice contains important safety information about temperatures and voltages. For further safety concerns, please contact a LTC application engineer.

Mailing Address:

Linear Technology
1630 McCarthy Blvd.
Milpitas, CA 95035

Copyright © 2004, Linear Technology Corporation

X-ON Electronics

Largest Supplier of Electrical and Electronic Components

Click to view similar products for [Power Management IC Development Tools](#) category:

Click to view products by [Analog Devices](#) manufacturer:

Other Similar products are found below :

[EVAL-ADM1168LQEBZ](#) [EVB-EP5348UI](#) [MIC23451-AAAYFL EV](#) [MIC5281YMME EV](#) [DA9063-EVAL](#) [ADP122-3.3-EVALZ](#) [ADP130-0.8-EVALZ](#) [ADP130-1.2-EVALZ](#) [ADP130-1.5-EVALZ](#) [ADP130-1.8-EVALZ](#) [ADP1714-3.3-EVALZ](#) [ADP1716-2.5-EVALZ](#) [ADP1740-1.5-EVALZ](#) [ADP1752-1.5-EVALZ](#) [ADP1828LC-EVALZ](#) [ADP1870-0.3-EVALZ](#) [ADP1871-0.6-EVALZ](#) [ADP1873-0.6-EVALZ](#) [ADP1874-0.3-EVALZ](#) [ADP1882-1.0-EVALZ](#) [ADP199CB-EVALZ](#) [ADP2102-1.25-EVALZ](#) [ADP2102-1.875EVALZ](#) [ADP2102-1.8-EVALZ](#) [ADP2102-2-EVALZ](#) [ADP2102-3-EVALZ](#) [ADP2102-4-EVALZ](#) [ADP2106-1.8-EVALZ](#) [ADP2147CB-110EVALZ](#) [AS3606-DB](#) [BQ24010EVM](#) [BQ24075TEVM](#) [BQ24155EVM](#) [BQ24157EVM-697](#) [BQ24160EVM-742](#) [BQ24296MEVM-655](#) [BQ25010EVM](#) [BQ3055EVM](#) [NCV891330PD50GEVB](#) [ISLUSBI2CKIT1Z](#) [LM2744EVAL](#) [LM2854EVAL](#) [LM3658SD-AEV/NOPB](#) [LM3658SDEV/NOPB](#) [LM3691TL-1.8EV/NOPB](#) [LM4510SDEV/NOPB](#) [LM5033SD-EVAL](#) [LP38512TS-1.8EV](#) [EVAL-ADM1186-1MBZ](#) [EVAL-ADM1186-2MBZ](#)