

# Fast 150V Protected High Side NMOS Static Switch Driver

## FEATURES

- Wide Operating  $V_{IN}$ : 3.5V to 135V (150V Abs Max)
- 1Ω Pull-Down, 2.2Ω Pull-Up for Fast Turn-On and Turn-Off Times with 35ns Propagation Delays
- Internal Charge Pump for 100% Duty Cycle
- Short-Circuit Protected
- Adjustable Current Trip Threshold (LTC7000)
- Current Monitor Output (LTC7000)
- Automatic Restart Timer
- Open-Drain Fault Flag
- Adjustable Turn-On Slew Rate
- Gate Driver Supply from 3.5V to 15V
- Adjustable  $V_{IN}$  Undervoltage and Overvoltage Lockouts (LTC7000)
- Adjustable Driver Supply  $V_{CC}$  Undervoltage Lockout
- Low Shutdown Current: 1μA
- CMOS Compatible Input
- Thermally Enhanced, High Voltage Capable 16-Lead MSOP Packages
- AEC-Q100 Qualified for Automotive Applications

## APPLICATIONS

- Static Switch Driver
- Load and Supply Switch Driver
- Electronic Valve Driver
- High Frequency High Side Gate Driver

## DESCRIPTION

The **LTC®7000/LTC7000-1** is a fast high side N-channel MOSFET gate driver that operates from input voltages up to 135V. It contains an internal charge pump that fully enhances an external N-channel MOSFET switch, allowing it to remain on indefinitely.

Its powerful driver can easily drive large gate capacitances with very short transition times, making it well suited for both high frequency switching applications or static switch applications that require a fast turn-on and/or turn-off time.

When an internal comparator senses that the switch current has exceeded a preset level, a fault flag is asserted and the switch is turned off after a period of time set by an external timing capacitor. After a cooldown period, the LTC7000/LTC7000-1 automatically retries.

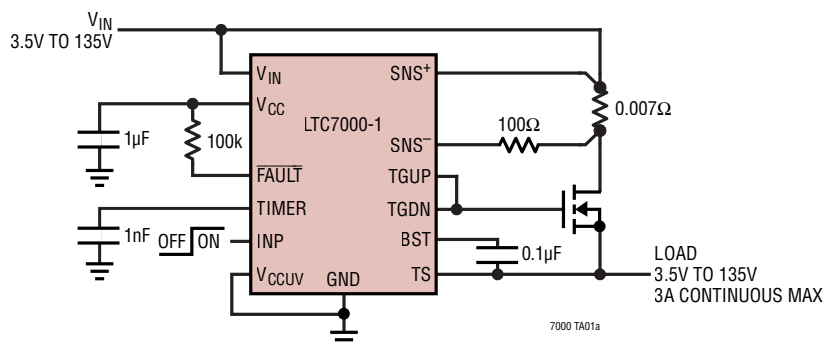
The LTC7000/LTC7000-1 is available in the thermally-enhanced 16-lead MSOP packages.

	<b>LTC7000</b>	<b>LTC7000-1</b>
Package	16-Lead MSOP MSE16	16-Lead MSOP MSE16(12)
High Voltage Pin Spacing	0.157mm	0.657mm
RUN/OVLO/SET/I <sub>MON</sub> Pins	Yes	No

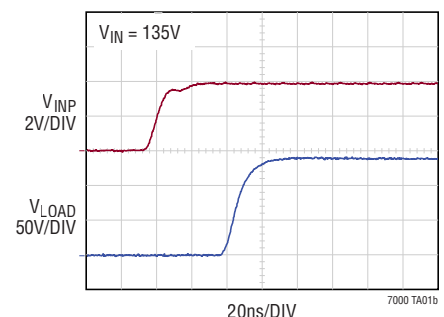
All registered trademarks and trademarks are the property of their respective owners.

## TYPICAL APPLICATION

High Side Switch with 100% Duty Cycle and Overcurrent Protection



Turn-On Transient Waveform



## TABLE OF CONTENTS

Features .....	1
Applications .....	1
Typical Application .....	1
Description.....	1
Absolute Maximum Ratings.....	3
Pin Configuration .....	3
Order Information.....	3
Electrical Characteristics.....	5
Typical Performance Characteristics .....	7
Pin Functions .....	9
Block Diagram.....	10
Timing Diagram .....	11
Operation.....	11
Applications Information .....	13
Package Description .....	27
Revision History .....	29
Typical Application .....	30
Related Parts .....	30

## ABSOLUTE MAXIMUM RATINGS

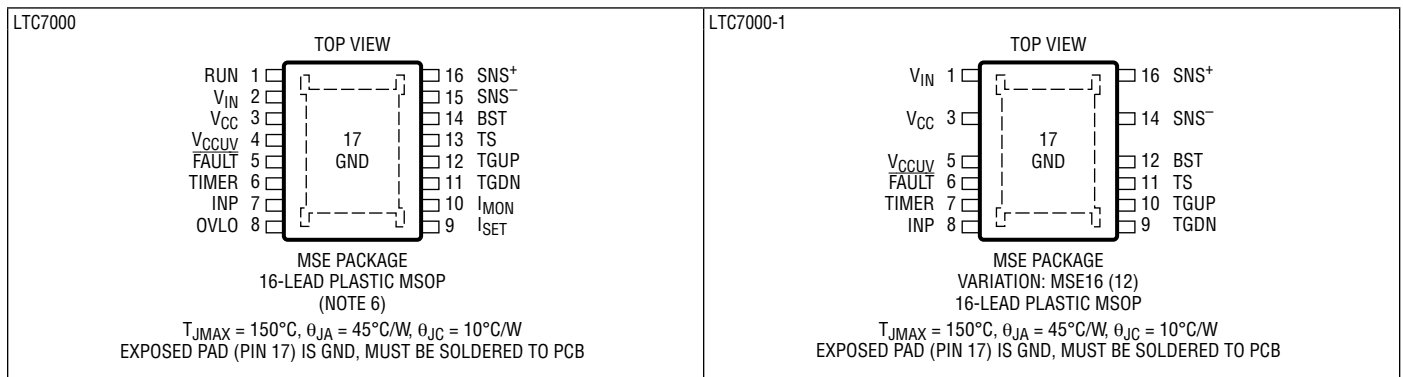
(Note 1)

### Supply Voltages

$V_{IN}$ .....	-0.3V to 150V
BST-TS .....	-0.3V to 15V
$V_{CC}$ .....	-0.3V to 15V
TS Voltage .....	-6V to 150V
BST, SNS <sup>+</sup> and SNS <sup>-</sup> Voltages .....	-0.3V to 150V
SNS <sup>+</sup> – SNS <sup>-</sup>	
Continuous .....	-0.3V to +0.3V
<1ms .....	-100mA to +100mA
INP Voltage .....	-6V to 15V
Driver Outputs TGUP, TGDN .....	(Note 7)
TIMER, FAULT, Voltages .....	-0.3V to 15V

$V_{CCUV}$ Voltage .....	-0.3 to 6V
RUN Voltage (LTC7000) .....	-0.3V to 150V
$I_{SET}$ , $I_{MON}$ , OVLO Voltages (LTC7000) .....	-0.3V to 6V
Operating Junction Temperature Range (Notes 2, 3, 4)	
LTC7000E, LTC7000E-1, LTC7000I,	
LTC7000I-1 .....	-40°C to 125°C
LTC7000J, LTC7000J-1 .....	-40°C to 150°C
LTC7000H, LTC7000H-1 .....	-40°C to 150°C
LTC7000MP, LTC7000MP-1 .....	-55°C to 150°C
Storage Temperature Range .....	-65°C to 150°C
Lead Temperature (Soldering, 10 sec)	
MSOP Package .....	300°C

## PIN CONFIGURATION



## ORDER INFORMATION

LEAD FREE FINISH	TAPE AND REEL	PART MARKING*	PACKAGE DESCRIPTION	TEMPERATURE RANGE
LTC7000EMSE#PBF	LTC7000EMSE#TRPBF	7000	16-Lead Plastic MSOP	-40°C to 125°C
LTC7000IMSE#PBF	LTC7000IMSE#TRPBF	7000	16-Lead Plastic MSOP	-40°C to 125°C
LTC7000JMSE#PBF	LTC7000JMSE#TRPBF	7000	16-Lead Plastic MSOP	-40°C to 150°C
LTC7000HMSE#PBF	LTC7000HMSE#TRPBF	7000	16-Lead Plastic MSOP	-40°C to 150°C
LTC7000MPMSE#PBF	LTC7000MPMSE#TRPBF	7000	16-Lead Plastic MSOP	-55°C to 150°C
LTC7000EMSE-1#PBF	LTC7000EMSE-1#TRPBF	70001	16-Lead Plastic MSOP	-40°C to 125°C
LTC7000JMSE-1#PBF	LTC7000JMSE-1#TRPBF	70001	16-Lead Plastic MSOP	-40°C to 125°C
LTC7000HMSE-1#PBF	LTC7000HMSE-1#TRPBF	70001	16-Lead Plastic MSOP	-40°C to 150°C
LTC7000IMSE-1#PBF	LTC7000IMSE-1#TRPBF	70001	16-Lead Plastic MSOP	-40°C to 150°C
LTC7000MPMSE-1#PBF	LTC7000MPMSE-1#TRPBF	70001	16-Lead Plastic MSOP	-55°C to 150°C

## ORDER INFORMATION

LEAD FREE FINISH	TAPE AND REEL	PART MARKING*	PACKAGE DESCRIPTION	TEMPERATURE RANGE
<b>AUTOMOTIVE PRODUCTS**</b>				
LTC7000EMSE#WPBF	LTC7000EMSE#WTRPBF	7000	16-Lead Plastic MSOP	-40°C to 125°C
LTC7000IMSE#WPBF	LTC7000IMSE#WTRPBF	7000	16-Lead Plastic MSOP	-40°C to 125°C
LTC7000JMSE#WPBF	LTC7000JMSE#WTRPBF	7000	16-Lead Plastic MSOP	-40°C to 150°C
LTC7000HMSE#WPBF	LTC7000HMSE#WTRPBF	7000	16-Lead Plastic MSOP	-40°C to 150°C
LTC7000EMSE-1#WPBF	LTC7000EMSE-1#WTRPBF	70001	16-Lead Plastic MSOP	-40°C to 125°C
LTC7000IMSE-1#WPBF	LTC7000IMSE-1#WTRPBF	70001	16-Lead Plastic MSOP	-40°C to 125°C
LTC7000JMSE-1#WPBF	LTC7000JMSE-1#WTRPBF	70001	16-Lead Plastic MSOP	-40°C to 150°C
LTC7000HMSE-1#WPBF	LTC7000HMSE-1#WTRPBF	70001	16-Lead Plastic MSOP	-40°C to 150°C

Contact the factory for parts specified with wider operating temperature ranges. \*The temperature grade is identified by a label on the shipping container.

[Tape and reel specifications](#). Some packages are available in 500 unit reels through designated sales channels with #TRMPBF suffix.

\*\*Versions of this part are available with controlled manufacturing to support the quality and reliability requirements of automotive applications. These models are designated with a #W suffix. Only the automotive grade products shown are available for use in automotive applications. Contact your local Analog Devices account representative for specific product ordering information and to obtain the specific Automotive Reliability reports for these models.

## ELECTRICAL CHARACTERISTICS

The ● denotes the specifications which apply over the specified operating junction temperature range, otherwise specifications are at  $T_A = 25^\circ\text{C}$  (Note 2).  $V_{IN} = V_{SNS+} = 10\text{V}$ ,  $V_{CC} = V_{BST} = 10\text{V}$ ,  $V_{TS} = \text{GND} = 0\text{V}$ , unless otherwise noted.

SYMBOL	PARAMETER	CONDITIONS	MIN	TYP	MAX	UNITS
<b>Input Supplies</b>						
$V_{IN}$	Input Voltage Operating Range		3.5		150	V
	TS Operating Voltage Range		0		135	V
	SNS+/- Input Voltage Range	Independent of $V_{IN}$	3.5		150	V
	Total Supply Current (Note 8) On or Sleep, Charge Pump Regulating ON Mode, Charge Pump Overdriven Sleep Mode, Charge Pump Overdriven Shutdown Mode	$C_{VCC} = 1\mu\text{F}$ , $V_{RUN} = 2\text{V}$ , $V_{BST} = \text{OPEN}$ , $V_{TS} = V_{SNS} = 12\text{V}$ $V_{INP} = 4\text{V}$ , $V_{RUN} = 2\text{V}$ , $V_{BST-TS} = 13\text{V}$ $V_{INP} = 0.4\text{V}$ , $V_{RUN} = 2\text{V}$ , $V_{BST-TS} = 13\text{V}$ $V_{RUN} = 0\text{V}$ (LTC7000)	●	250 60 37 1	85 60 3	$\mu\text{A}$ $\mu\text{A}$ $\mu\text{A}$ $\mu\text{A}$
	$V_{IN}$ DC Supply Current, Charge Pump Overdriven (Note 5) ON Mode Sleep Mode Shutdown Mode	$C_{VCC} = 1\mu\text{F}$ , $V_{BST-TS} = 13\text{V}$ , $V_{INP} = 4\text{V}$ , $V_{RUN} = 2\text{V}$ $V_{INP} = 0.4\text{V}$ , $V_{RUN} = 2\text{V}$ $V_{RUN} = 0\text{V}$ (LTC7000)		35 25 1		$\mu\text{A}$ $\mu\text{A}$ $\mu\text{A}$
	SNS+ Current	$V_{INP} = 4\text{V}$ , $V_{RUN} = 2\text{V}$ $V_{INP} = 0.4\text{V}$ , $V_{RUN} = 2\text{V}$ $V_{RUN} = 0\text{V}$ (LTC7000)		21 12 0		$\mu\text{A}$ $\mu\text{A}$ $\mu\text{A}$
	SNS- Current	$V_{INP} = 4\text{V}$ , $V_{RUN} = 2\text{V}$ $V_{INP} = 0.4\text{V}$ , $V_{RUN} = 2\text{V}$ $V_{RUN} = 0\text{V}$ (LTC7000)	●	2 4 0 0	6.5	$\mu\text{A}$ $\mu\text{A}$ $\mu\text{A}$ $\mu\text{A}$
	$V_{CC}$ LDO Output Voltage	$C_{VCC} = 1\mu\text{F}$ , $V_{IN} = 12\text{V}$		10		V
	$V_{CC}$ LDO Dropout Voltage ( $V_{IN}-V_{CC}$ )	$V_{IN} = 6\text{V}$ , $I_{VCC} = -1\text{mA}$		0.2		V
$V_{CC}$ UVLO	$V_{CC}$ Undervoltage Lockout	$V_{CCUV} = \text{OPEN}$ , $V_{IN} = V_{CC}$ V <sub>CC</sub> Rising V <sub>CC</sub> Falling Hysteresis $V_{CCUV} = 0\text{V}$ , $V_{IN} = V_{CC}$ V <sub>CC</sub> Rising V <sub>CC</sub> Falling Hysteresis $V_{CCUV} = 1.5\text{V}$ , $V_{IN} = V_{CC}$ V <sub>CC</sub> Rising V <sub>CC</sub> Falling Hysteresis	● ● ● ●	6.5 5.8 600 3.1 2.8 9.7 9.1	7.0 6.4 600 3.5 3.2 10.5 9.9	7.5 6.9 mV 3.7 3.4 10.9 10.3 mV
<b>Bootstrapped Supply (BST-TS)</b>						
$V_{BST-TS}$	$V_{TG}$ Above $V_{TS}$ with INP = 3V (DC)	$V_{IN} = V_{CC} = V_{TS} = 7\text{V}$ , $I_{BST} = 0\mu\text{A}$ $V_{IN} = V_{CC} = V_{TS} = 10\text{V}$ , $I_{BST} = 0\mu\text{A}$ $V_{IN} = V_{TS} = 135\text{V}$ , $I_{BST} = 0\mu\text{A}$	● ● ●	9 10 10	11 12 12	14 14 14 $\mu\text{A}$
	Charge Pump Output Current	$V_{TS} = 20\text{V}$ , $V_{BST-TS} = 10\text{V}$	●	-15	-30	$\mu\text{A}$
	BST-TS Floating UVLO	BST-TS Rising BST-TS Falling			3.1 2.8	V V
<b>Output Gate Driver (TG)</b>						
	TG Pull-Up Resistance	$V_{IN} = V_{BST} = 12\text{V}$	●	2.2	7	$\Omega$
	TG Pull-Down Resistance	$V_{IN} = V_{BST} = 12\text{V}$	●	1	4	$\Omega$
$t_r$	Output Rise Time	10% to 90%, $C_L = 1\text{nF}$ 10% to 90%, $C_L = 10\text{nF}$		13 90		ns ns
$t_f$	Output Fall Time	10% to 90%, $C_L = 1\text{nF}$ 10% to 90%, $C_L = 10\text{nF}$		13 40		ns ns
$t_{PLH}$ $t_{PHL}$	Input to Output Propagation Delay	$V_{INP}$ Rising, $C_L = 1\text{nF}$ $V_{INP}$ Falling, $C_L = 1\text{nF}$	● ●	35 35	70 70	ns ns

# LTC7000/LTC7000-1

## ELECTRICAL CHARACTERISTICS

The ● denotes the specifications which apply over the specified operating junction temperature range, otherwise specifications are at  $T_A = 25^\circ\text{C}$  (Note 2).  $V_{IN} = V_{SNS+} = 10\text{V}$ ,  $V_{CC} = V_{BST} = 10\text{V}$ ,  $V_{TS} = \text{GND} = 0\text{V}$ , unless otherwise noted.

SYMBOL	PARAMETER	CONDITIONS		MIN	TYP	MAX	UNITS
<b>Operation</b>							
$V_{IH}$ $V_{IL}$	Input Threshold Voltages	$V_{INP}$ Rising $V_{INP}$ Falling Hysteresis	● ●	1.7 1.3	2 1.6 400	2.2 1.8	V V mV
	Input Pull-Down Resistance	$V_{INP} = 1\text{V}$			1		$\text{M}\Omega$
	RUN and OVLO Pin Threshold Voltages	Rising Falling Hysteresis		1.16 1.05	1.21 1.10 110	1.26 1.15	V V mV
	RUN and OVLO Leakage Current	$V_{RUN} = 1.3\text{V}$ , $V_{OVLO} = 1.3\text{V}$	●	-100	0	100	nA
	TIMER Threshold Voltage	$V_{TIMER}$ Rising to $V_{FAULT}$ Going Low		1.25	1.3	1.35	V
	TIMER Early Warning Voltage	$V_{FAULT}$ Going Low to (TG-TS) Going Low		75	100	125	mV
	TIMER Pin Fault Pull-Up Current	$V_{TIMER} = 1.0\text{V}$ , $I_{SET} = \text{OPEN}$	●	-115	-100	-80	$\mu\text{A}$
	TIMER Pin Pull-Down Current	$V_{TIMER} = 0.6\text{V}$ $I_{SET} = \text{OPEN}$ $\Delta V_{SNS} = 0\text{mV}$		2.0	2.5	3.0	$\mu\text{A}$
	$\overline{\text{FAULT}}$ Output Low Voltage	$I_{FAULT} = 1\text{mA}$	●		0.2	0.5	V
	$\overline{\text{FAULT}}$ Leakage Current	$V_{FAULT} = 5\text{V}$	●	-100	0	100	nA
$\Delta V_{TH}$	Current Sense Threshold Voltage $\Delta V_{SNS} = (V_{SNS+} - V_{SNS-})$	$I_{SET} = \text{OPEN}$ or LTC7000-1 $V_{ISET} = 1.2\text{V}$ (LTC7000 Only) $V_{ISET} = 0\text{V}$ (LTC7000 Only)	●	22 54 15	30 60 20	36 64 24	mV
D	Retry Duty Cycle	$\Delta V_{SNS} = 200\text{mV}$ $C_{TIMER} = 1\text{nF}$	●		0.06	0.1	%
	$I_{SET}$ (LTC7000 Only) and $V_{CCUV}$ Pull-Up Current	$V_{ISET} = 1.0\text{V}$ , $V_{CCUV} = 1.0\text{V}$		-11.3	-10	-8.7	$\mu\text{A}$
	$I_{MON}$ Output Voltage (LTC7000 Only)	$\Delta V_{SNS} = 60\text{mV}$ , $V_{TIMER} = 0\text{V}$ , $V_{INP} = 3.5\text{V}$ $\Delta V_{SNS} = 30\text{mV}$ , $V_{TIMER} = 0\text{V}$ , $V_{INP} = 3.5\text{V}$ $\Delta V_{SNS} = 0\text{mV}$ , $V_{TIMER} = 0\text{V}$ , $V_{INP} = 3.5\text{V}$	●	1.12 0.52	1.2 0.6 0	1.28 0.68 0.1	V V V
	Over-Current to TG Low Propagation Delay	$\Delta V_{SNS}$ Step 10mV to 50mV, $I_{SET} = \text{OPEN}$ , $V_{TIMER} = V_{CC}$ , $V_{INP} = 3.5\text{V}$			70		ns

**Note 1:** Stresses beyond those listed under Absolute Maximum Ratings may cause permanent damage to the device. Exposure to any Absolute Maximum Rating condition for extended periods may affect device reliability and lifetime.

**Note 2:** The LTC7000/LTC7000-1 is tested under pulsed load conditions such that  $T_J \approx T_A$ . The LTC7000E/LTC7000E-1 is guaranteed to meet performance specifications from  $0^\circ\text{C}$  to  $85^\circ\text{C}$ . Specifications over the  $-40^\circ\text{C}$  to  $125^\circ\text{C}$  operating junction temperature range are assured by design, characterization and correlation with statistical process controls. The LTC7000I/LTC7000I-1 is guaranteed over the  $-40^\circ\text{C}$  to  $125^\circ\text{C}$  operating junction temperature range, the LTC7000H/LTC7000H-1 is guaranteed over the  $-40^\circ\text{C}$  to  $150^\circ\text{C}$  operating junction temperature range, the LTC7000J/LTC7000J-1 is guaranteed over the  $-40^\circ\text{C}$  to  $150^\circ\text{C}$  operating junction temperature range, and the LTC7000MP/LTC7000MP-1 is tested and guaranteed over the  $-55^\circ\text{C}$  to  $150^\circ\text{C}$  operating junction temperature range.

High junction temperatures degrade operating lifetimes; operating lifetime is derated for junction temperatures greater than  $125^\circ\text{C}$ . Note that the maximum ambient temperature consistent with these specifications is determined by specific operating conditions in conjunction with board layout, the rated package thermal impedance and other environmental factors.

**Note 3:** The junction temperature ( $T_J$ , in  $^\circ\text{C}$ ) is calculated from the ambient temperature ( $T_A$ , in  $^\circ\text{C}$ ) and power dissipation ( $P_D$ , in Watts) according to the formula:

$$T_J = T_A + (P_D \cdot \theta_{JA}), \text{ where } \theta_{JA} \text{ is } 45^\circ\text{C/W.}$$

**Note 4:** This IC includes over temperature protection that is intended to protect the device during momentary overload conditions. The maximum rated junction temperature will be exceeded when this protection is active. Operation above the specified absolute maximum operating junction temperature may impair device reliability or permanently damage the device.

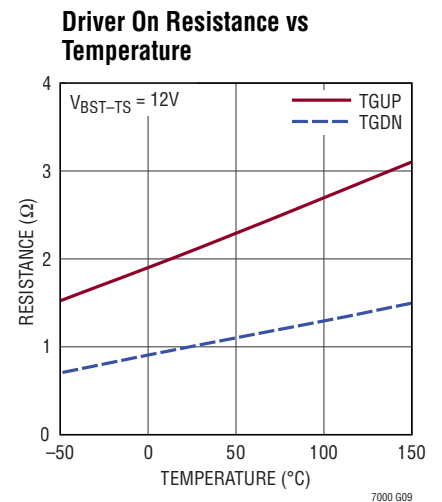
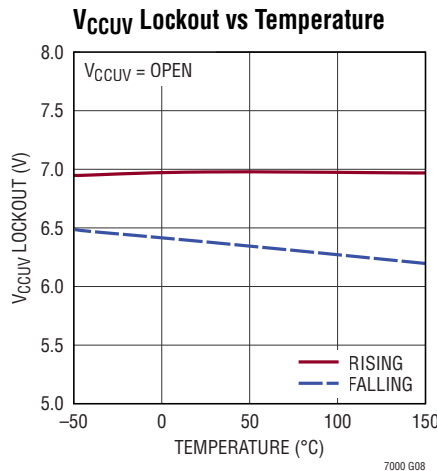
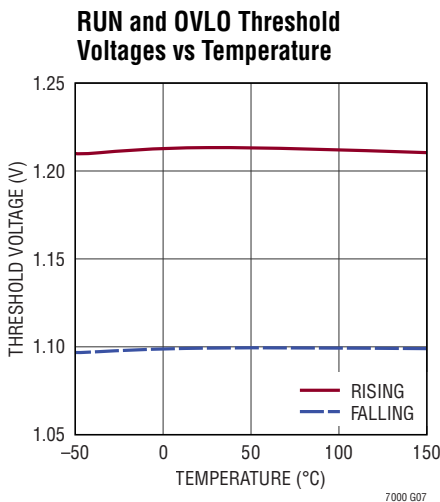
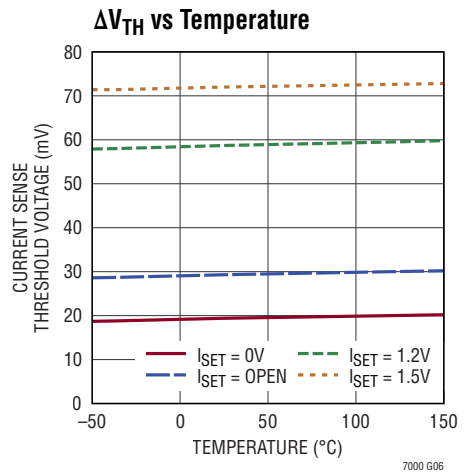
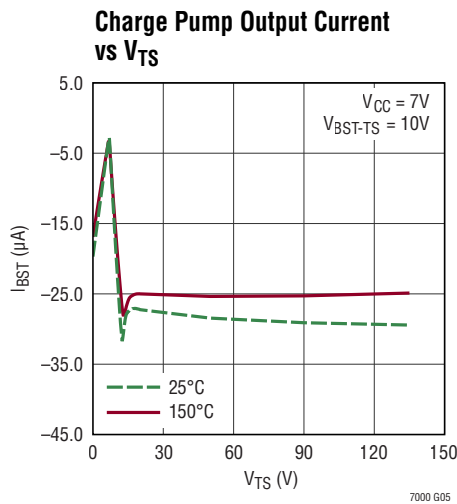
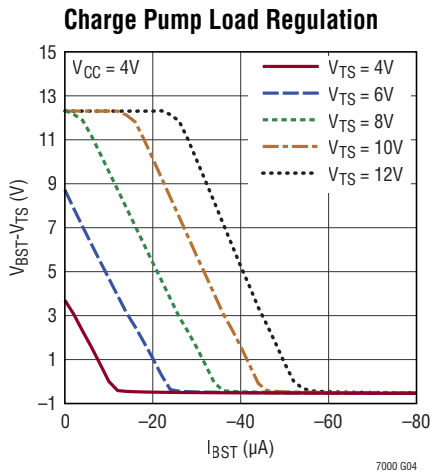
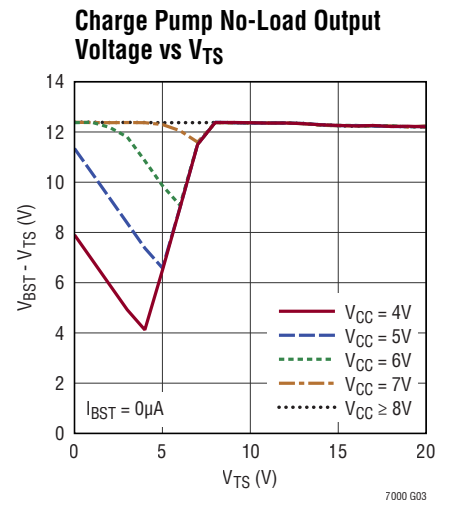
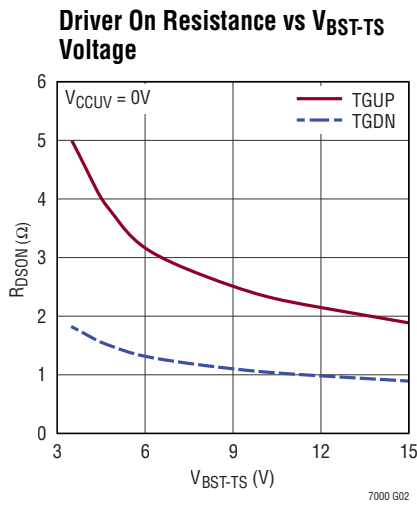
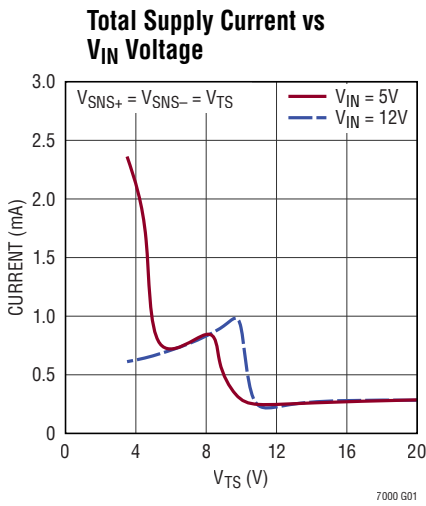
**Note 5:** Dynamic supply current is higher due to the gate charge being delivered at the switching frequency. See Applications Information.

**Note 6:** For application concerned with pin creepage and clearance distances at high voltages, the MSE16(12) variation package should be used. See Applications Information.

**Note 7:** Do not apply a voltage or current source to these pins. They must be connected to capacitive loads only; otherwise permanent damage may occur.

**Note 8:** Total supply current is the sum of the current into the  $V_{IN}$ ,  $SNS^+$ ,  $SNS^-$  and  $TS$  pins.

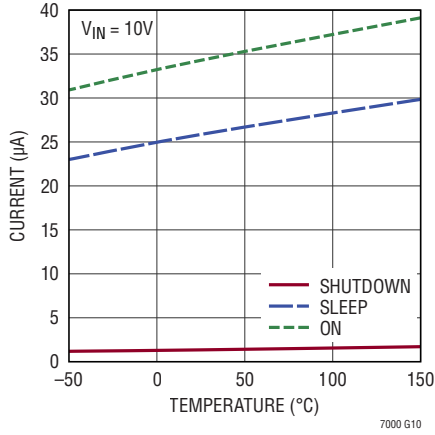
**TYPICAL PERFORMANCE CHARACTERISTICS**  $T_A = 25^\circ\text{C}$ , unless otherwise noted.



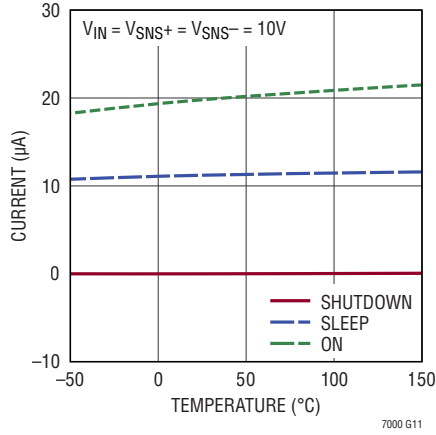
# LTC7000/LTC7000-1

## TYPICAL PERFORMANCE CHARACTERISTICS $T_A = 25^\circ\text{C}$ , unless otherwise noted.

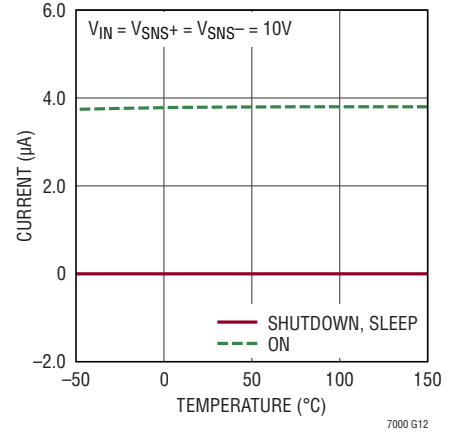
**$V_{IN}$  Supply Current vs Temperature**



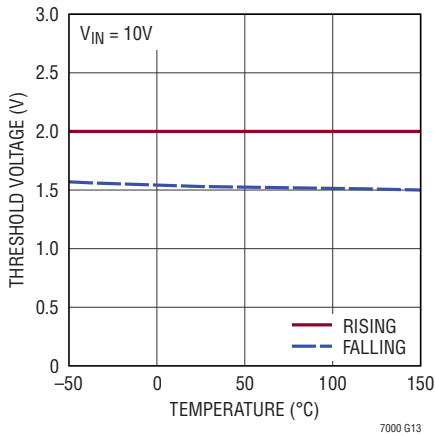
**$SNS^+$  Supply Current vs Temperature**



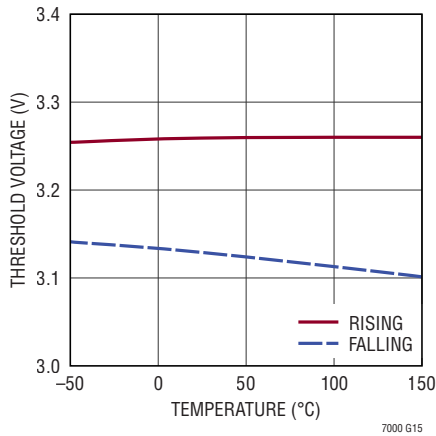
**$SNS^-$  Supply Current vs Temperature**



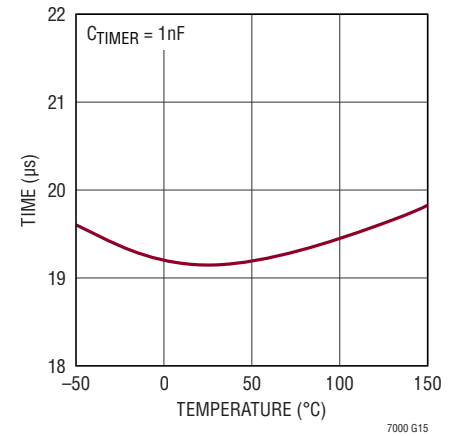
**Input Threshold Voltage vs Temperature**



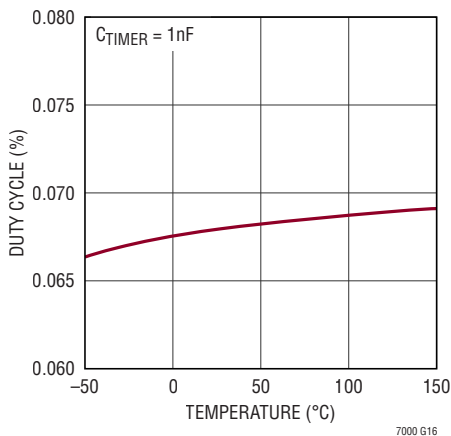
**$SNS^+$  FAULT Threshold vs Temperature**



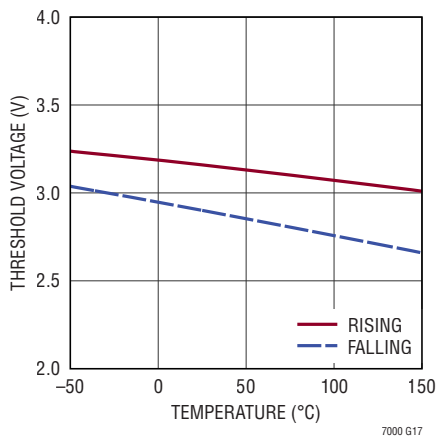
**Overcurrent to TGDN = LOW Delay Time vs Temperature**



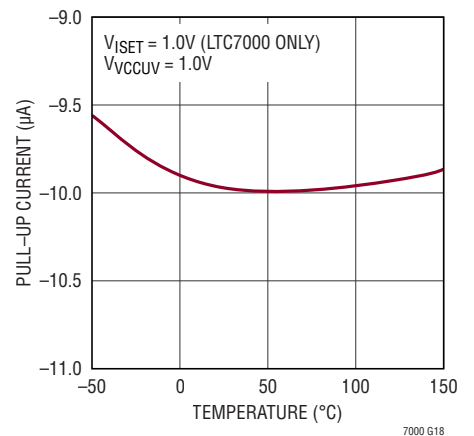
**Retry Duty Cycle vs Temperature**



**$V_{BST-TS}$  Floating UVLO Voltage vs Temperature**



**$I_{SET}$  and  $V_{CCUV}$  Pull-Up Current vs Temperature**





## PIN FUNCTIONS (LTC7000/LTC7000-1)

**RUN (Pin 1/NA):** Run Control Input. A voltage on this pin above 1.21V enables normal operation. Forcing this pin below 0.7V shuts down the LTC7000, reducing quiescent current to approximately 1 $\mu$ A. Optionally connect to the input supply through a resistive divider to set the under-voltage lockout.

**V<sub>IN</sub> (Pin 2/Pin 1):** Main Supply Pin. A bypass capacitor with a minimum value of 0.1 $\mu$ F should be tied between this pin and GND.

**V<sub>CC</sub> (Pin 3/Pin 3):** Output of internal LDO and power supply for gate drivers and internal circuitry. Decouple this pin to GND with a minimum 1.0 $\mu$ F low ESR ceramic capacitor. Do not use the V<sub>CC</sub> pin for any other purpose. V<sub>CC</sub> can be overdriven from an external high efficiency source for high frequency switching applications that require higher power delivered to the external MOSFET. Do not connect V<sub>CC</sub> to a voltage greater than V<sub>IN</sub>.

**V<sub>CCUV</sub> (Pin 4/Pin 5):** V<sub>CC</sub> Supply Undervoltage Lockout. A resistor on this pin sets the reference for the Gate Drive undervoltage lockout. The voltage on this pin in the range of 0.4V to 1.5V is multiplied by 7 to be the undervoltage lockout for the Gate Drive (V<sub>CC</sub> pin). Short to ground to set the minimum gate drive UVLO of 3.5V. Leave open to set gate drive UVLO to 7.0V

**FAULT (Pin 5/Pin 6):** Open Drain Fault Output. This pin pulls low after the voltage on the TIMER pin has reached the fault threshold of 1.3V. It indicates the pass transistor is about to turn off due to an overcurrent condition. The typical pull-down impedance is 200 $\Omega$ . The FAULT pin does not go to a high-impedance state until the overcurrent condition and the TIMER cooldown period expire. If the TIMER pin is pulled above 3.5V, the TIMER function is disabled. In this state this pin pulls low when the V<sub>TGUP-TS</sub> signal is driven high.

**TIMER (Pin 6/Pin 7):** Fault Timer Input. A timing capacitor, CT, from the TIMER pin to GND sets the times for fault warning, fault turn off and retry periods (see Applications Information). When the TIMER pin is connected to a voltage higher than 3.5V, an overcurrent condition will immediately pull the TGDN pin to TS. TGUP will not go high again until the fault condition is reset by the INP pin going low and then back high.

**INP (Pin 7/Pin 8):** Input Signal. CMOS compatible input reference to GND that sets the state of TGDN and TGUP pins (see Applications Information). INP has an internal 1M $\Omega$  pull-down to GND to keep TGDN pulled to TS during startup transients.

**OVLO (Pin 8/NA):** Overvoltage Lockout Input. Connect to the input supply through a resistor divider to set the overvoltage lockout level. A voltage on this pin above 1.21V causes TGDN to be pulled to TS. Normal operation resumes when the voltage on this pin decreases below 1.11V. Triggering an OVLO causes a fault condition. OVLO should be tied to GND when not used.

**ISET (Pin 9/NA):** Current Trip Threshold Set. A resistor on this pin to GND sets the peak current threshold. The voltage on this pin (internally clamped between 0.4V and 1.5V) is divided by 20 to be the current comparator reference. Short to GND for minimum peak current (20mV  $\Delta$ V<sub>TH</sub>). Leave open for an accurate peak current (30mV  $\Delta$ V<sub>TH</sub>).

**IMON (Pin 10/NA):** Current Monitor. The voltage on this pin with respect to GND represents the voltage across the sense resistor multiplied by 20. The range on this pin is 0V to 1.5V.

**TGDN (Pin 11/Pin 9):** High Current Gate Driver Pull-Down. This pin pulls down to TS. For the fastest turn-off, tie this pin directly to the gate of the external high side MOSFET.

**TGUP (Pin 12/Pin 10):** High Current Gate Driver Pull-Up. This pin pulls up to BST. Tie this pin to TGDN for maximum gate drive transition speed. A resistor can be connected between this pin and the gate of the external MOSFET to control the in-rush current during turn-on. See Applications Information.

**TS (Pin 13/Pin 11):** Top (High Side) source connection or GND if used in ground referenced applications.

**BST (Pin 14/Pin 12):** High Side Bootstrapped Supply. An external capacitor with a minimum value of 0.1 $\mu$ F should be tied between this pin and TS. Voltage swing on this pin is 12V to (V<sub>IN</sub> + 12V).

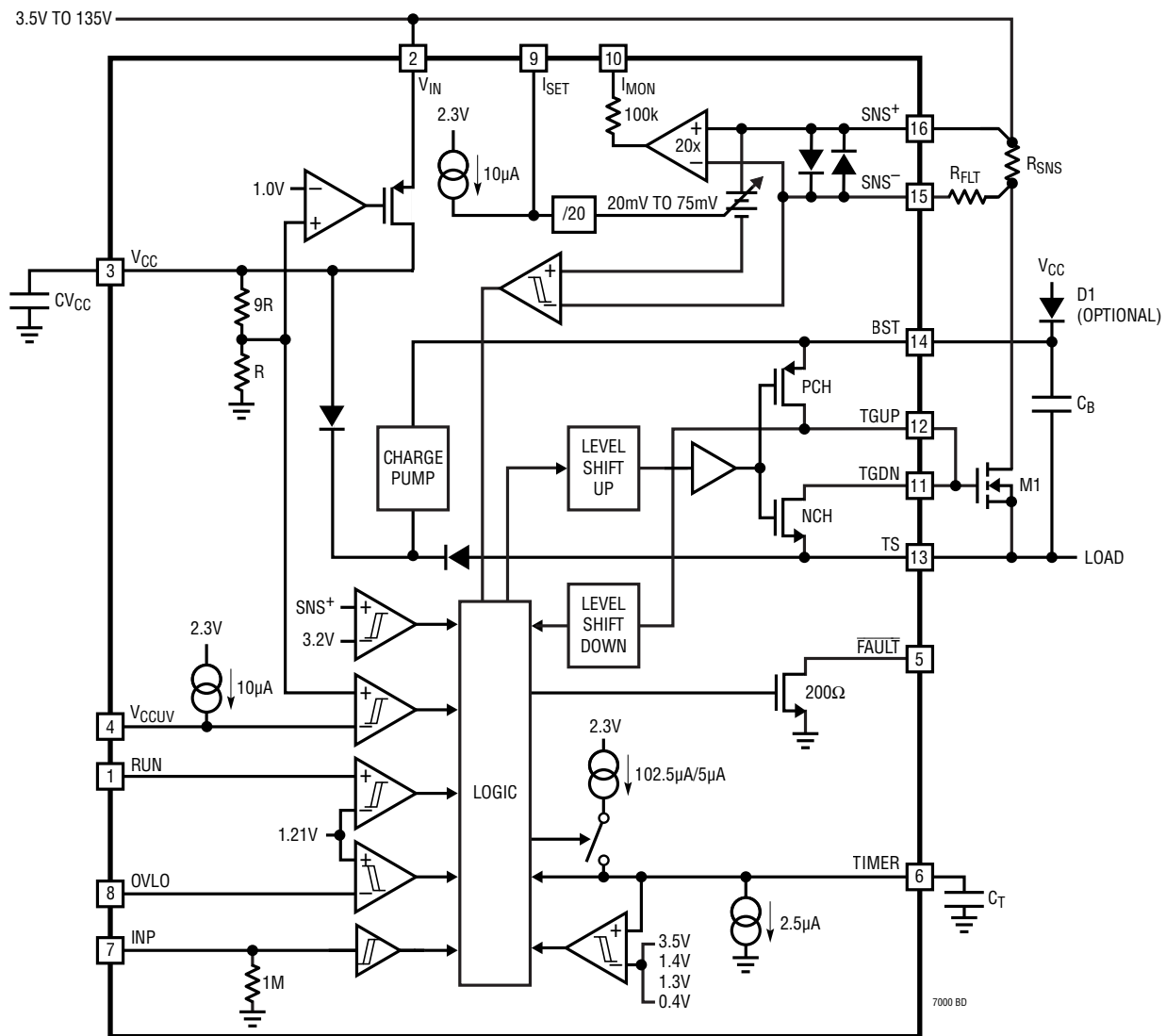
## PIN FUNCTIONS

**SNS<sup>-</sup> (Pin 15/Pin 14), SNS<sup>+</sup> (Pin 16/Pin 16):** Current Sense Comparator Input. Place a sense resistor in series with the drain of the external MOSFET to set the peak current. The SNS<sup>-</sup> pin should be connected to the sense resistor using a minimum 100Ω resistor. Use a Kelvin connection from the SNS<sup>+</sup> pin to the sense resistor. The current comparator trip threshold

voltage,  $\Delta V_{TH}$  is the  $I_{SET}$  voltage divided by 20. The trip threshold is internally clamped to a minimum of 20mV and a maximum of 75mV. If  $I_{SET}$  is open or greater than 2.0V,  $\Delta V_{TH}$  is set internally to 30mV.

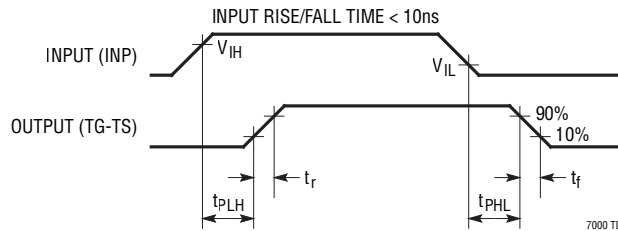
**GND (Exposed Pad Pin 17):** Ground. The exposed pad must be soldered to the PCB for rated electrical and thermal performance.

## BLOCK DIAGRAM



7000 BD

## TIMING DIAGRAM



## OPERATION (Refer to Block Diagram)

The LTC7000/LTC7000-1 is designed to receive a ground-referenced, low voltage digital input signal, INP and quickly drive and protect a high side N-channel power MOSFET whose drain can be up to 150V above ground. The LTC7000/LTC7000-1 is capable of driving a 1nF load using a 12V bootstrapped supply voltage ( $V_{BST}-V_{TS}$ ) with 35ns of propagation delay and fast rise/fall times. The high gate drive voltage reduces external power losses associated with external MOSFET on-resistance. The strong drivers not only provide fast turn on and off times but hold the TGUP and TGDN to TS voltages in the desired state in the presence of high slew rate transients which can occur driving inductive loads at high voltages.

### Overcurrent Protection

The LTC7000/LTC7000-1 protects a high side N-channel MOSFET from an overcurrent condition by monitoring the voltage across an external sense resistor placed in series with the drain of an external MOSFET and forcing the external MOSFET to turn off by pulling TGDN to TS when the voltage across the sense resistor,  $\Delta V_{SNS}$ , exceeds the current comparator threshold voltage,  $\Delta V_{TH}$ , after a period of time set by the timing capacitor,  $C_T$ . When an overcurrent condition is detected with  $I_{SET}$  open,  $\Delta V_{TH}$  is internally programmed to a low value of 30mV minimizing the external conduction loss associated with current sensing by allowing the use of lower value sense resistors. A resistor placed between  $I_{SET}$  and ground allows  $\Delta V_{TH}$  to be programmed from 20mV to 75mV.

An adjustable fault and overcurrent timer is enabled by placing a capacitor,  $C_T$  from the TIMER pin to ground and allows the load to continue functioning during brief overcurrent transient events while protecting the MOSFET from long periods of high currents. An external fault flag is available which can warn of an impending MOSFET turn off. A fast turn-off mode where TGDN is immediately pulled to TS due to an overcurrent is available by connecting the TIMER pin to  $V_{CC}$ .

### Current Monitor (LTC7000 Only)

The LTC7000 provides an output voltage referenced to ground on the  $I_{MON}$  pin that reflects the current flowing through the external sense resistor connected between  $SNS^+$  and  $SNS^-$  while TGUP is high. The voltage on  $I_{MON}$  is the voltage difference between the  $SNS^+$  and  $SNS^-$  pins multiplied by 20x and referenced to ground with a range of 0V to 1.5V. The  $I_{MON}$  output voltage has an output impedance of 100k $\Omega$  and is pulled to ground with a 100k $\Omega$  resistor when INP is low.

### $V_{CC}$ Power

Power for the MOSFET driver and internal circuitry is derived from the  $V_{CC}$  pin. The  $V_{CC}$  pin voltage is generated from an internal P-channel LDO connected to  $V_{IN}$ .  $V_{CC}$  can also be overdriven from a high efficiency external source for high frequency switching applications that require higher power delivered to external MOSFET.  $V_{CC}$  should never be driven higher than  $V_{IN}$  or permanent damage to the LTC7000/LTC7000-1 could occur.

## OPERATION (Refer to Block Diagram)

### Internal Charge Pump

The LTC7000/LTC7000-1 contains an internal charge pump that enables the MOSFET gate drive to have 100% duty cycle. The charge pump regulates the BST-TS voltage to 12V reducing external power losses associated with external MOSFET on-resistance. The charge pump uses the higher voltage of TS or  $V_{CC}$  as the source for the charge.

### Start-Up and Shutdown

If the voltage on the RUN pin (LTC7000 only) is less than 0.7V, the LTC7000 enters a shutdown mode in which all internal circuitry is disabled, reducing the DC supply current to approximately 1 $\mu$ A. When the voltage on the RUN pin exceeds 0.7V, the internal LDO connected to  $V_{IN}$  is enabled and regulates  $V_{CC}$  to 10V. At  $V_{IN}$  voltages less than 10V, the LDO will operate in drop-out and  $V_{CC}$  will follow  $V_{IN}$ . When the voltage on the RUN pin exceeds 1.21V, the input circuitry is enabled allowing TGUP and TGDN to be driven high with respect to TS. The LTC7000-1 does not include the RUN pin. The internal LDO connected to  $V_{IN}$  and the input circuitry for the LTC7000-1 become enabled when  $V_{IN}$  is higher than 3.5V.

### Protection Circuitry

When using the LTC7000/LTC7000-1, care must be taken not to exceed any of the ratings specified in the Absolute Maximum Ratings section. As an added safeguard, the

LTC7000/LTC7000-1 incorporates an overtemperature shutdown feature. If the junction temperature reaches approximately 180°C, the LTC7000/LTC7000-1 will enter thermal shutdown mode and TGDN will be pulled to TS. After the part has cooled below 160°C, TGDN will be allowed to go back high. The overtemperature level is not production tested. The LTC7000/LTC7000-1 is guaranteed to start at temperatures below 150°C.

The LTC7000/LTC7000-1 additionally implements protection features which prohibit TGUP being pulled to BST when  $V_{IN}$ ,  $V_{CC}$  or ( $V_{BST}-V_{TS}$ ) are not within proper operating ranges. By using a resistive divider from  $V_{IN}$  to ground (LTC7000 only), the RUN and OVLO pins can serve as a precise input supply overvoltage/undervoltage lockouts. TGDN is pulled to TS when either RUN falls below 1.11V or OVLO rises above 1.21V, which can be configured to limit switching to a specific range on input supply voltages. Furthermore, if  $V_{IN}$  falls below 3.5V, an internal undervoltage detector pulls TGDN to TS.

$V_{CC}$  contains an undervoltage lockout feature that will pull TGDN to TS and is configured by the  $V_{CCUV}$  pin. If  $V_{CCUV}$  is open, TGDN is pulled to TS until  $V_{CC}$  is greater than 7.0V. By using a resistor from  $V_{CCUV}$  to ground, the rising undervoltage lockout on  $V_{CC}$  can be adjusted from 3.5V to 10.5V.

An additional internal undervoltage lockout is included that will pull TGDN to TS when the floating voltage from BST to TS is less than 3.1V (typical).

## APPLICATIONS INFORMATION

### Input Stage

The LTC7000/LTC7000-1 employs CMOS compatible input thresholds that allow a low voltage digital signal connected to INP to drive standard power MOSFETs. The LTC7000/LTC7000-1 contains an internal voltage regulator which biases the input buffer connected to INP allowing the input thresholds ( $V_{IH} = 2.0V$ ,  $V_{IL} = 1.6V$ ) to be independent of variations in  $V_{CC}$ . The 400mV hysteresis between  $V_{IH}$  and  $V_{IL}$  eliminates false triggering due to noise events. However, care should be taken to keep INP from any noise pickup, especially in high frequency, high voltage applications.

INP also contains an internal  $1M\Omega$  pull-down resistor to ground, keeping TGDN pulled to TS during startup and other unknown transient events. During shutdown ( $V_{RUN} < 0.7V$ ) the internal  $1M\Omega$  pull-down resistor is disabled and INP becomes high impedance.

INP has an Absolute Maximum of  $-6V$  to  $+15V$  which allows the signal driving INP to have voltage excursions outside the normal power supply and ground range. It is not uncommon for signals routed with long PCB traces and driven with fast rise/fall times to inductively ring to voltages higher than power supply or lower than ground.

### Output Stage

A simplified version of the LTC7000/LTC7000-1 output stage is shown in Figure 1. The pull-down device is an N-channel MOSFET with a typical  $1\Omega$   $R_{DS(ON)}$  and the pull-up device is a P-channel MOSFET with a typical  $2.2\Omega$   $R_{DS(ON)}$ . The pull-up and pull-down pins have been

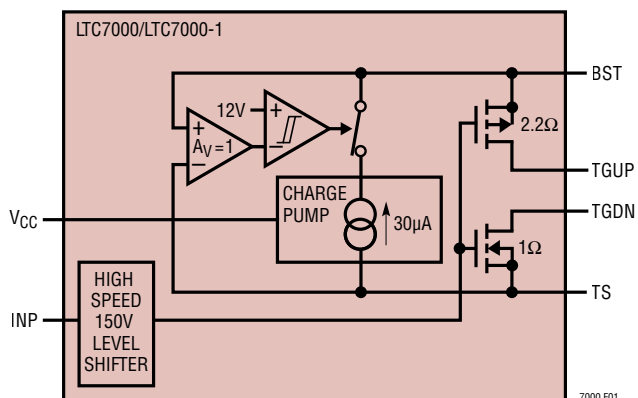


Figure 1. Simplified Output Stage

separated to allow the turn-on transient to be controlled while maintaining a fast turn-off.

The LTC7000/LTC7000-1 powerful output stage ( $1\Omega$  pull-down and  $2.2\Omega$  pull-up) minimizes transition losses when driving external MOSFETs and keeps the MOSFET in the state commanded by INP even if high voltage and high frequency transients couple from the power MOSFET back to the driving circuitry.

The large gate drive voltage on TGUP and TGDN reduces conduction losses in the external MOSFET because  $R_{DS(ON)}$  is inversely proportional to its gate overdrive ( $V_{GS} - V_{TH}$ ).

### SNS<sup>+</sup> and SNS<sup>-</sup> Pins

SNS<sup>+</sup> and SNS<sup>-</sup> are the inputs to the high side current comparator and current monitor. The common mode operational voltage range for these pins is 3.5V to 150V independent of any other voltages. SNS<sup>+</sup> also provides power to the current comparator and current monitor and draws approximately  $21\mu A$  when not shut down and INP is high. SNS<sup>-</sup> draws a bias current of approximately  $4\mu A$  when not shut down and INP is high. When SNS<sup>+</sup> is less than 3.2V typical (3.5V minimum), a fault condition occurs and the adjustable fault timer is enabled with the same behavior as an overcurrent fault. Normally the SNS pins are connected to the drain side of the external MOSFET. However, the SNS pins can be connected to the source side of the external MOSFET as long as the source voltage rises above 3.5V before the Fault Timer expires. See Fault Timer and Fault Flag section.

A filter resistor,  $R_{FLT}$  should be placed in series with the SNS<sup>-</sup> pin as shown in Figure 2. Note that the SNS<sup>-</sup> pin takes  $4\mu A$  of bias current which will affect the current

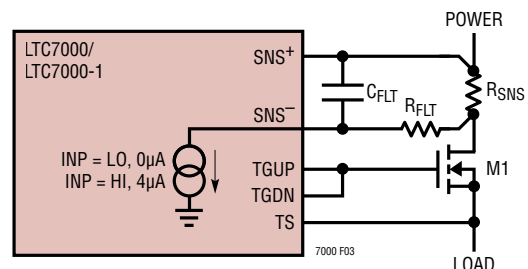


Figure 2. Sense Pins Filtering

## APPLICATIONS INFORMATION

sense and current monitoring functions.  $R_{FLT}$  should be at least 2000x larger than  $R_{SNS}$  (minimum 100Ω) to provide robustness during short circuit events. The current injected into the  $SNS^+$  and  $SNS^-$  pins during a short circuit event depends on the voltage on POWER,  $R_{SNS}$ , external MOSFET  $R_{DS(ON)}$ , timer capacitor value and the value of  $R_{FLT}$ .

### I<sub>SET</sub> Pin (LTC7000 Only)

The current comparator has an adjustable threshold voltage,  $\Delta V_{TH}$ , of 20mV to 75mV and is set by placing a resistor to ground on the  $I_{SET}$  pin. The  $I_{SET}$  pin is biased with an internal 10μA current source. Floating  $I_{SET}$  enables the current comparator to have an accurate 30mV threshold voltage which allows for lower value sense resistors and reduces the external power dissipation. By placing a 40kΩ to 150kΩ resistor between  $I_{SET}$  and ground, the sense threshold voltage can be programmed to values between 20mV and 75mV. The value of resistor for a particular sense threshold voltage can be selected using Figure 3 or the following equation:

$$R_{ISET} = \frac{\Delta V_{TH}}{0.5\mu A}$$

Where  $20mV < \Delta V_{TH} < 75mV$ .

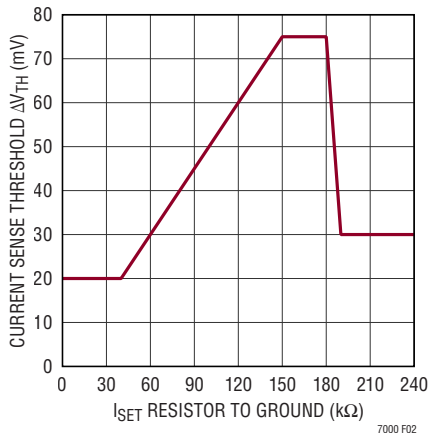


Figure 3.  $R_{ISET}$  Selection

### Fault Timer and Fault Flag

The LTC7000/LTC7000-1 includes an adjustable fault timer. Connecting a capacitor from the TIMER pin to ground sets the delay period before the external MOSFET

is turned off during an overcurrent fault condition. The same capacitor also sets the cooldown period before the external MOSFET is allowed to turn back on. Once a fault condition is detected, a 100μA current charges the TIMER pin. When the voltage on the TIMER pin reaches 1.3V, the  $\overline{FAULT}$  pin pulls low to indicate the detection of a fault condition and provide warning of an impending power loss. After the TIMER voltage crosses the 1.4V threshold, T<sub>GDN</sub> is immediately pulled to TS turning off the external MOSFET. The on-time of the external MOSFET, T<sub>OVER\_CURRENT</sub>, during an overcurrent event is given by the following equation:

$$T_{OVER\_CURRENT} = \frac{1.4V \cdot C_{TIMER}}{100\mu A} + 1.5\mu s$$

The warning time, T<sub>WARNING</sub>, generated by an overcurrent event is given by the following equation:

$$T_{WARNING} = \frac{0.1V \cdot C_{TIMER}}{100\mu A} + 1.5\mu s$$

If the overcurrent fault condition disappears before TIMER has reached 1.4V, TIMER is discharged by a 2.5μA current. If TIMER had reached 1.3V ( $\overline{FAULT}$  has gone low) and the overcurrent fault condition disappears, TIMER is discharged with a 2.5μA current and  $\overline{FAULT}$  will be reset when TIMER reaches 0.4V. The on-time and warning times are shown graphically in Figure 4.

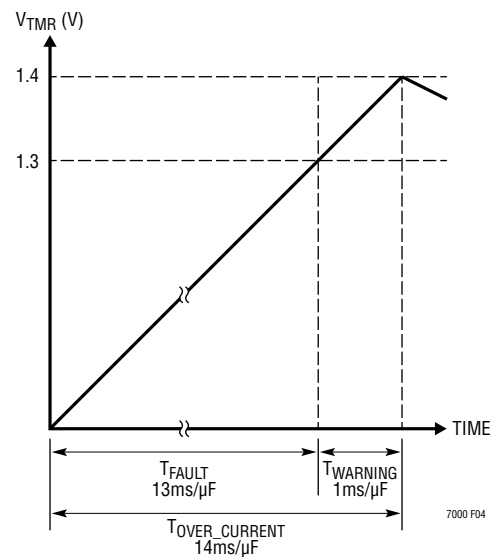


Figure 4. Fault Timer Trip Points

## APPLICATIONS INFORMATION

### Cooldown Period and Restart

As soon as TIMER reaches 1.4V, TGDN is pulled to TS in an overcurrent fault condition and the TIMER pin starts discharging with a 2.5 $\mu$ A current. When TIMER reaches 0.4V, TIMER charges with a 2.5 $\mu$ A current. When TIMER reaches 1.4V, it starts discharging again with a 2.5 $\mu$ A current. This pattern repeats 32 times to form a long cooldown timer period ( $T_{COOL\_DOWN}$ ) before retry (Figure 5).

If INP is cycled low, TGDN will be pulled to TS and TIMER will be pulled low with an internal 100k $\Omega$  resistor. If INP is cycled low during the cooldown period, the timer counter will be reset. If INP then goes high, TGUP will be pulled to BST and the fault timer will be reactivated with the TIMER voltage starting from its current value.

At the end of the cooldown period (when TIMER drops below 0.4V for the 32nd time), the LTC7000/LTC7000-1 retries, pulling TGUP to BST and turning on the external MOSFET. The FAULT pin will then go to a high impedance state. The total cooldown timer period is given by:

$$T_{COOL\_DOWN} = \frac{63 \cdot 1.0V \cdot C_{TIMER}}{2.5\mu A}$$

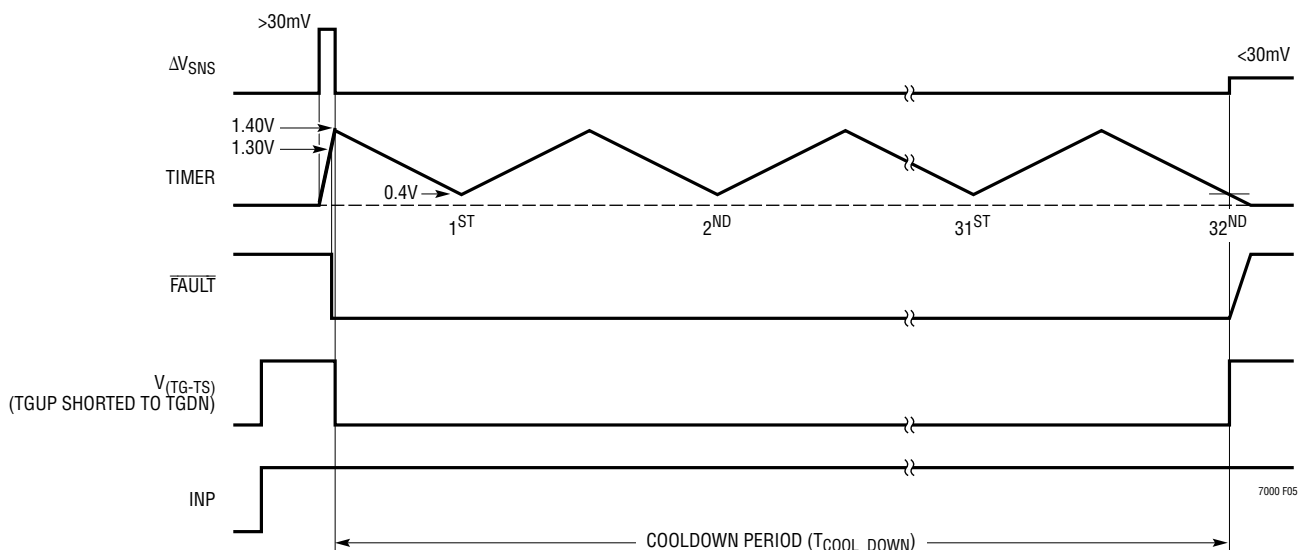


Figure 5. Auto Retry Cool-Down Timer Cycle

The retry duty cycle in percent is to a first order independent of  $C_T$  and is defined by:

$$D = \frac{100 \cdot T_{OVER\_CURRENT}}{T_{OVER\_CURRENT} + T_{COOL\_DOWN}}$$

To defeat the automatic retry, place a 100k $\Omega$  resistor in parallel with the TIMER capacitor. Note that the time to turn off from an overcurrent fault will be increased by 7% and the FAULT pin will remain low indicating a fault has occurred. To get the LTC7000/LTC7000-1 to retry and to clear the fault flag the INP signal needs to cycle low then back high.

Typical turn-off times and cooldown periods for some standard value timer capacitors are shown Table 1:

Table 1. Fault Time for Typical Capacitors

$C_{TIMER}$ (nF)	$T_{OVER\_CURRENT}$ ( $\mu$ s)	$T_{COOL\_DOWN}$ (s)	Retry Duty Cycle %
<0.1	~3	0.0005	~0.6
1	16	0.025	0.06
10	142	0.250	0.06
100	1402	2.500	0.06

## APPLICATIONS INFORMATION

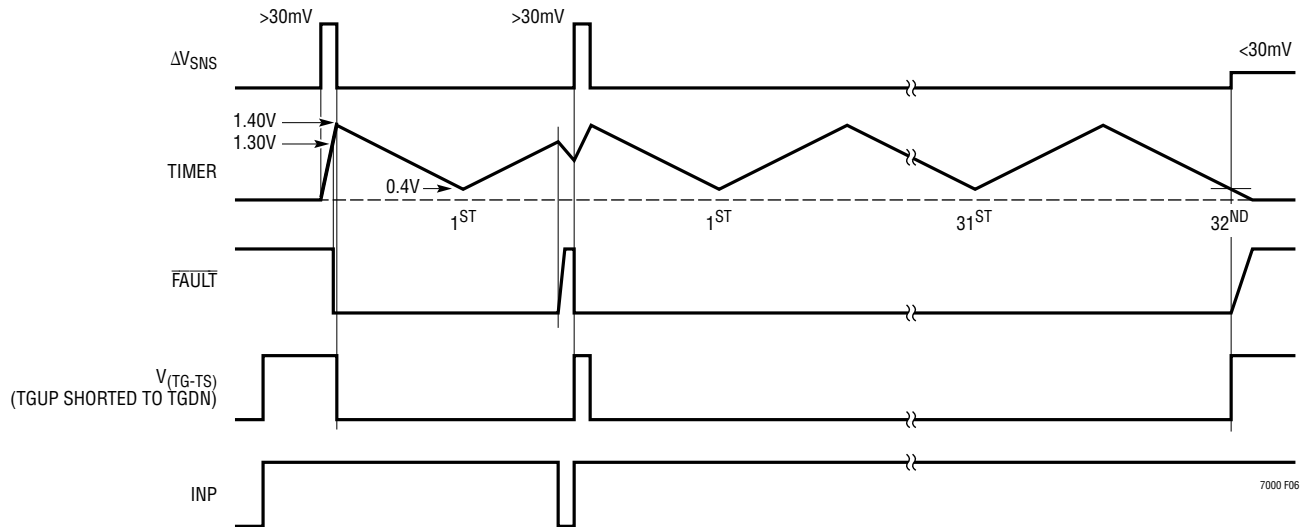


Figure 6. Auto Retry with INP Cycling Low

### Fast Turn-Off Mode

If the TIMER pin is connected to  $V_{CC}$  or any other supply greater than 3.5V (abs max 15V), an overcurrent event will immediately pull TGDN to TS and the LTC7000/LTC7000-1 will remain there until the INP signal has cycled low and then back high. In fast turn-off mode, the typical delay from a  $\Delta V_{SNS}$  overcurrent step to TG going low is around 70ns, so very fast short-circuit events can be detected. Also, when the TIMER pin is connected to a voltage greater than 3.5V, the  $\overline{\text{FAULT}}$  signal is redefined to be the inverse state of the high side pull-up ( $V_{TGUP} - V_{TS}$ ). The  $\overline{\text{FAULT}}$  signal can be used in this application as low-voltage digital information that has been level shifted down from the high side MOSFET. An application for this could include using this signal to wait until  $V_{TGUP} - V_{TS}$  has gone low before turning on a redundant power MOSFET.

### High Side Current Monitor Output (LTC7000 Only)

The LTC7000 contains a high side current monitor output. The high side differential voltage sensed across the  $\text{SNS}^+$  and  $\text{SNS}^-$  pins ( $\Delta V_{SNS}$ ) is multiplied by 20 and ground referenced on the  $I_{MON}$  pin which makes it suitable for monitoring and regulating the MOSFET current. The working range of  $I_{MON}$  is 0V to 1.5V as  $\Delta V_{SNS}$  varies from 0mV to 75mV. The  $I_{MON}$  pin is a voltage output whose nominal output impedance is 100k $\Omega$  and should not be resistively loaded. The current monitor output is only available after

the INP signal has been high for 150 $\mu\text{s}$  (typical), otherwise the  $I_{MON}$  pin is pulled to ground. A block diagram of the  $I_{MON}$  circuit is shown in Figure 7. The  $g_m$  of the transimpedance amplifier tracks the 100k $\Omega$  internal resistor to ground which makes variations over process minimal.

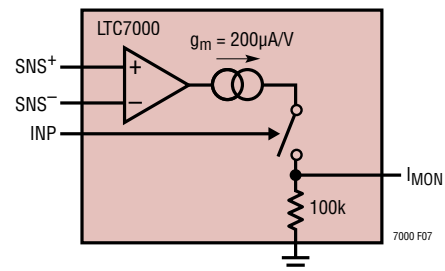


Figure 7.  $I_{MON}$  Block diagram

### RUN Pin and External Input Overvoltage/Undervoltage Lockout (LTC7000 Only)

The RUN pin has two different threshold voltage levels. Pulling RUN below 0.7V puts the LTC7000 into a low quiescent current shutdown mode ( $I_Q \sim 1\mu\text{A}$ ). When the RUN pin is greater than 1.21V, the part is enabled. Figure 8 shows examples of configurations for driving the RUN pin from logic.

The RUN and OVLO pins can alternatively be configured as precise undervoltage (UVLO) and overvoltage (OVLO) lockouts on the  $V_{IN}$  supply with a resistive divider



## APPLICATIONS INFORMATION

from  $V_{IN}$  to ground. A simple resistive divider can be used as shown in Figure 9 to meet specific  $V_{IN}$  voltage requirements. When RUN is less than 1.11V or OVLO is greater than 1.21V, TGDN will be pulled to TS and the external MOSFET will be turned off. The approximate delay time for the OVLO pin to turn on or turn off the external MOSFET is 2.5 $\mu$ s. The approximate delay time for the RUN pin falling lower than 1.11V to turn off the external MOSFET is 3.5 $\mu$ s.

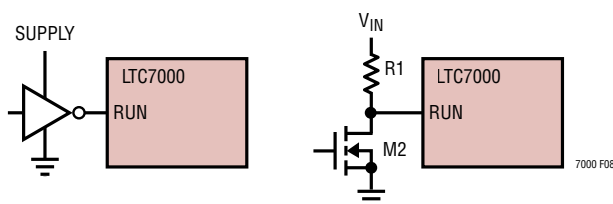


Figure 8. RUN Pin Interface to Logic

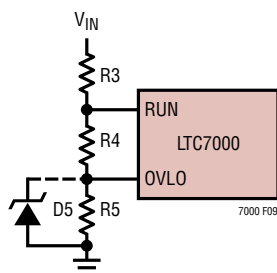


Figure 9. Adjustable UV and OV Lockout

The current that flows through the R3 – R4 – R5 divider will directly add to the shutdown, sleep and active current of the LTC7000, and care should be taken to minimize the impact of this current on the overall current used by the application circuit. Resistor values in the megaohm range may be required to keep the impact of the quiescent shutdown and sleep currents low. To pick resistor values, the sum total of  $R3 + R4 + R5$  ( $R_{TOTAL}$ ) should be chosen first based on the allowable DC current that can be drawn from  $V_{IN}$ . The individual values of R3, R4 and R5 can then be calculated from the following equations:

$$R5 = R_{TOTAL} \cdot \frac{1.21V}{\text{Rising } V_{IN} \text{ OVLO Threshold}}$$

$$R4 = R_{TOTAL} \cdot \frac{1.21V}{\text{Rising } V_{IN} \text{ UVLO Threshold}} - R5$$

$$R3 = R_{TOTAL} - R5 - R4$$

For applications that do not need a precise external OVLO the OVLO pin is required to be tied directly to ground. The RUN pin in this type of application can be used as an external UVLO using the above equations with  $R5 = 0\Omega$ .

Similarly, for applications that do not require a precise UVLO, the RUN pin can be tied to  $V_{IN}$ . In this configuration, the UVLO threshold is limited by the internal  $V_{IN}$  UVLO thresholds as shown in the Electrical Characteristics table. The resistor values for the OVLO can be computed using the above equations with  $R3 = 0\Omega$ .

Be aware that the OVLO pin cannot be allowed to exceed its absolute maximum rating of 6V. To keep the voltage on the OVLO pin from exceeding 6V, the following relationship should be satisfied:

$$V_{IN(MAX)} \cdot \left( \frac{R5}{R3 + R4 + R5} \right) < 6V$$

If the  $V_{IN(MAX)}$  relationship for the OVLO pin cannot be satisfied, an external 5V Zener diode should also be placed from OVLO to ground in addition to any lockout setting resistors.

### Bootstrapped Supply (BST-TS)

An external bootstrapped capacitor,  $C_B$ , connected between BST and TS supplies the gate drive voltage for the MOSFET driver. The LTC7000/LTC7000-1 keeps the BST-TS supply charged with an internal charge pump, allowing for duty cycles up to 100%. When the high side external MOSFET is to be turned on, the driver places the  $C_B$  voltage across the gate-source of the MOSFET. This enhances the high side MOSFET and turns it on. The source of the MOSFET, TS, rises to  $V_{IN}$  and the BST pin follows. With the high side MOSFET on, the BST voltage is above the input supply;  $V_{BST} = V_{IN} + 12V$ . The boost capacitor,  $C_B$ , supplies the charge to turn on the external MOSFET and needs to have at least 10 times the charge to turn on the external MOSFET fully. The charge to turn on the external MOSFET is referred to gate charge,  $Q_G$ , and is typically specified in the external MOSFET data sheet. Gate charge can range from 5nC to hundreds of nCs and is influenced by the gate drive level and the type of external MOSFET used. For most applications, a capacitor value

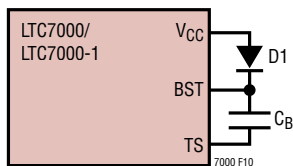
## APPLICATIONS INFORMATION

of 0.1μF for  $C_B$  will be sufficient. However, the following relationship for  $C_B$  should be maintained:

$$C_B > \frac{\text{External MOSFET } Q_G}{1V}$$

The internal charge pump that charges the BST-TS supply outputs approximately 30μA to the BST pin. If the time to charge the external bootstrapped capacitor,  $C_B$  from initial power-up with the internal charge pump is not sufficient for the application, a low reverse leakage external silicon diode, D1, with a reverse voltage rating greater than  $V_{IN}$  connected between  $V_{CC}$  and BST should be used as shown in Figure 10. An external silicon diode between  $V_{CC}$  and BST should be used if the following relationship cannot be met:

$$\text{BST diode required if power-up to INP going high} < \frac{C_B \cdot 12V}{30\mu A} \cong 40ms$$



**Figure 10. External BST Diode**

Another reason to use an external silicon diode between  $V_{CC}$  and BST is if the external MOSFET is switched at a frequency so high that the BST-TS supply collapses. An external silicon diode between  $V_{CC}$  and BST should be used if the following relationship cannot be met:

$$\text{BST diode required if switching frequency} > \frac{30\mu A}{2 \cdot \text{MOSFET } Q_G} \cong 500Hz$$

A Schottky diode should not be used between  $V_{CC}$  and BST, as the reverse leakage of the Schottky diode at hot will be more current than the charge pump can overcome.

Some example silicon diodes with low leakage include:

- MMBD1501A - Fairchild Semiconductor
- CMPD3003 - Central Semiconductor

### $V_{CC}$ Generation

The  $V_{CC}$  pin provides the power for the MOSFET gate drivers and internal circuitry. The LTC7000/LTC7000-1 features an internal P-channel low dropout regulator (LDO) that can supply power at  $V_{CC}$  from the  $V_{IN}$  supply pin or  $V_{CC}$  can be driven from an external power supply. If the internal P-channel LDO is used to power  $V_{CC}$ , it must have a minimum 1.0μF low ESR ceramic capacitor to ensure stability and should not be connected to any other circuitry other than optionally biasing some pins on the LTC7000/LTC7000-1 ( $\overline{\text{FAULT}}$ , INP or TIMER).

If the internal P-channel LDO is used to power  $V_{CC}$  and an external silicon diode is used between  $V_{CC}$  and BST, care must be taken not to switch an external MOSFET at too high a frequency that can collapse the internal LDO. The internal LDO can only supply 1mA with a 200mV drop-out. In order to keep the internal LDO supply from collapsing when an external silicon diode is used from  $V_{CC}$  to BST, the following relationship should be maintained:

$$\text{Maximum switching frequency with internal LDO} < \frac{1mA}{2 \cdot \text{MOSFET } Q_G} \cong 20kHz$$

For higher gate charge applications, an external silicon diode between  $V_{CC}$  and BST should be used and  $V_{CC}$  can be driven from a high efficiency external supply.  $V_{CC}$  should never be driven higher than  $V_{IN}$  or permanent damage to the LTC7000/LTC7000-1 could occur.

### $V_{CC}$ Undervoltage Comparator

The LTC7000/LTC7000-1 contains an adjustable undervoltage lockout (UVLO) on the  $V_{CC}$  voltage that pulls TGDN to TS and can be easily programmed using a resistor ( $R_{VCCUV}$ ) between the  $V_{CCUV}$  pin and ground. The voltage generated on  $V_{CCUV}$  by  $R_{VCCUV}$  and the internal 10μA current source set the  $V_{CC}$  UVLO. The rising  $V_{CC}$  UVLO is internally limited within the range of 3.5V and 10.5V. If  $V_{CCUV}$  is open the rising  $V_{CC}$  UVLO is set internally to 7.0V. The typical value of resistor for a particular rising  $V_{CC}$  UVLO can be selected using Figure 11 or the following equation:

$$R_{VCCUV} = \frac{\text{Rising } V_{CC} \text{ UVLO}}{70\mu A}$$

## APPLICATIONS INFORMATION

Where  $3.5V < \text{Rising } V_{CC} \text{ UVLO} < 10.5V$ .

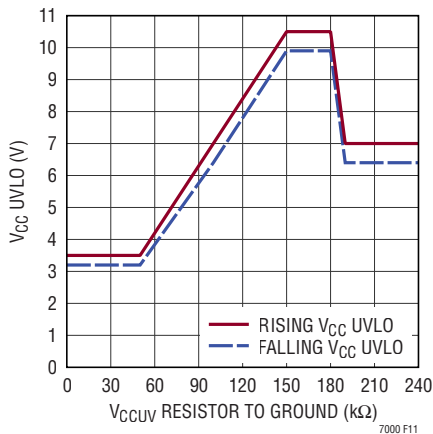


Figure 11.  $V_{CCUV}$  Resistor Selection

### MOSFET Selection

The most important parameters in high voltage applications for MOSFET selection are the breakdown voltage  $BV_{DSS}$ , on-resistance  $R_{DS(ON)}$  and the safe operating area, SOA.

The MOSFET, when off, will see the full input range of the input power supply plus any additional ringing than can occur when driving inductive loads.

External conduction losses are minimized when using low  $R_{DS(ON)}$  MOSFETs. Since many high voltage MOSFETs have higher threshold voltages (typical  $V_{TH} \geq 5V$ ) and  $R_{DS(ON)}$  is directly related to the  $(V_{GS} - V_{TH})$  of the MOSFET, the LTC7000/LTC7000-1 maximum gate drive of greater than 10V makes it an ideal solution to minimize external conduction losses associated with external high voltage MOSFETs.

SOA is specified in Typical Characteristic curves in power N-channel MOSFET data sheets. The SOA curves show the relationship between the voltages and current allowed in a timed operation of a power MOSFET without causing damage to the MOSFET. The overcurrent trip point ( $R_{SNS}$  and  $R_{ISET}$ ) of the LTC7000/LTC7000-1 and TIMER capacitor should be chosen to stay within the SOA region of the MOSFET selected for the application.

### Limiting Inrush Current During Turn-On

Driving large capacitive loads such as complex electrical systems with large bypass capacitors should be powered using the circuit shown in Figure 12. The pull-up gate drive to the power MOSFET from TGUP is passed through an RC delay network,  $R_G$  and  $C_G$ , which greatly reduces the turn-on ramp rate of the MOSFET. Since the MOSFET source voltage follows the gate voltage, the load is powered smoothly from ground. This dramatically reduces the inrush current from the source supply and reduces the transient ramp rate of the load allowing for slower activation of sensitive electrical loads. The turn-off of the MOSFET is not affected by the  $R_C$  delay network as the pull-down for the MOSFET gate is directly from the TGDN pin. Note that the voltage rating on capacitor  $C_G$  needs to be the same or higher than the external MOSFET and  $C_{LOAD}$ .

Adding  $C_G$  to the gate of the external MOSFET can cause high frequency oscillation. A low power, low ohmic value resistor ( $10\Omega$ ) should be placed in series with  $C_G$  to dampen the oscillations as shown in Figure 12 whenever  $C_G$  is used in an application. Alternatively, the low ohmic value resistor can be placed in series with the gate of the external MOSFET.

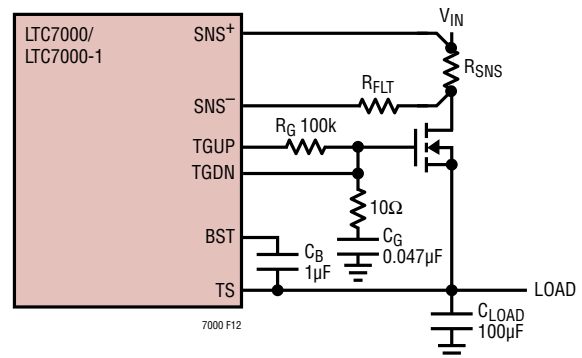


Figure 12. Powering Large Capacitive Loads

The values for  $R_G$  and  $C_G$  to limit the inrush current can be calculated from the below equation:

$$I_{IN\_RUSH} \approx \frac{0.7 \cdot 12V \cdot C_{LOAD}}{R_G \cdot C_G}$$

## APPLICATIONS INFORMATION

For the values shown in Figure 12 the inrush current will be:

$$I_{IN\_RUSH} \approx \frac{0.7 \cdot 12V \cdot 100\mu F}{100k\Omega \cdot 0.047\mu F} \approx 180mA$$

Correspondingly, the ramp rate at the load for the circuit in Figure 12 is approximately:

$$\frac{\Delta V_{LOAD}}{\Delta T} \approx \frac{0.7 \cdot 12V}{R_G \cdot C_G} \approx 2V/ms$$

When  $C_G$  is added to the circuit in Figure 12, the value of the bootstrap capacitor,  $C_B$ , must be increased to be able to supply the charge to both to MOSFET gate and capacitor  $C_G$ . The relationship for  $C_B$  that needs to be maintained when  $C_G$  is used is given by:

$$C_B > \frac{MOSFET Q_G}{1V} + 10 \cdot C_G$$

### Optional Schottky Diode Usage on TS

When turning off a power MOSFET that is connected to an inductive load (inductor, long wire or complex load), the TS pin can be pulled below ground until the current in the inductive load has completely discharged. The TS pin is tolerant of voltages down to  $-6V$ , however, an optional Schottky diode with a voltage rating at least as high as the load voltage should be connected between TS and ground to prevent discharging the load through the TS pin of the LTC7000/LTC7000-1. See Figure 13.

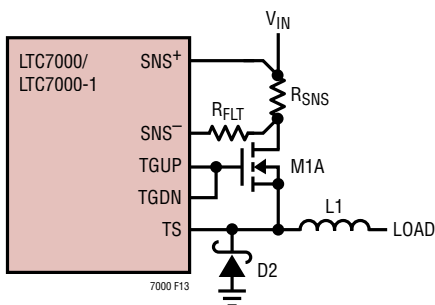


Figure 13. Optional Schottky Diode Usage

### Reverse Current Protection

To protect the load from discharging back into  $V_{IN}$  when the external MOSFET is off and the  $V_{IN}$  voltage drops below the load voltage, two external N-channel MOSFETs should be used and must be configured in a back-to-back arrangement as shown in Figure 14. Dual N-channel packages such as the Vishay/Siliconix Si7956DP are a good choice for space saving designs.

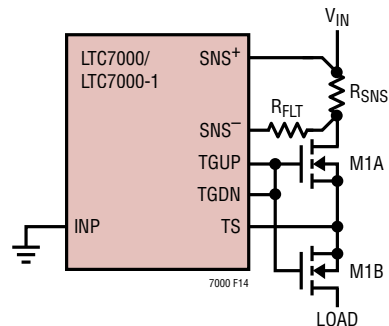


Figure 14. Protecting Load from Voltage Drops on  $V_{IN}$

### Design Example

As a design example, consider a fast power supply switch with the following specifications:  $V_{IN} = V_{LOAD} = 8V$  to  $135V$ ,  $I_{LOAD} = 3A$ , Insertion Loss  $< 0.5W$  at room temp with maximum load, output rise time with a  $1\mu F$  load is  $1V/\mu s$  ( $1A$  inrush current) and a shorted load should immediately turn off the MOSFET.

The first item to select is the N-channel MOSFET. The IRF7815PBF is selected because it has sufficient breakdown voltage ( $BV_{DSS\_MIN} = 150V$ ), sufficient continuous current rating for a  $3A$  load ( $I_{D\_MAX} = 4.1A$ ) and the on-resistance is low enough ( $R_{DS(ON)\_MAX} = 43m\Omega$ ) to be able to meet the power loss specification.

Examining the MOSFET data sheet, the  $V_{GS}$  vs  $R_{DS(ON)}$  typical performance curve shows a sharp increase in  $R_{DS(ON)}$  as the MOSFET  $V_{GS}$  gets below  $8.0V$ . Since the default  $V_{CC}$  UVLO is  $7.0V$ , a resistor ( $R_{VCCUV}$ ) should be placed between  $V_{CCUV}$  and ground to increase the  $V_{CC}$

## APPLICATIONS INFORMATION

UVLO to 8.0V. The value of  $R_{VCCUV}$  is calculated and rounded to the nearest standard value as follows:

$$R_{VCCUV} = \frac{8.0V}{70\mu A} = 113k\Omega$$

The value of the current sense resistor,  $R_{SNS}$  is calculated next. The LTC7000-1 has a fixed current sense threshold,  $\Delta V_{TH}$ , of 30mV typical and 22mV minimum. To provide a minimum 3A load current, the minimum specified  $\Delta V_{TH} = 22mV$  should be used for the  $R_{SNS}$  calculation below:

$$R_{SNS} = \frac{22mV}{3A} = 7.3m\Omega$$

The closest standard value is 7mΩ. The power dissipation of  $R_{SNS}$  is 63mW so choose a power rating of greater than 0.25W to provide adequate margin.

The next item to check is to make sure the insertion loss specification is satisfied. The insertion loss is given by:

$$P_{LOSS} = I_{LOAD}^2 \cdot (R_{DS(ON)(MAX)} + R_{SNS})$$

$$= 3A^2 \cdot (0.043\Omega + 0.007\Omega) = 0.45W$$

Which meets the design specification of less than 0.5W.

The fast output slew rate specification of 1V/μs into a 1μF load can be met by placing a resistor,  $R_G$ , in series with

the TGUP pin to the MOSFET gate, as well as connecting TGDN and a capacitor,  $C_G$ , to ground on the MOSFET gate. The values of  $R_G$  and  $T_G$  can be calculated from the following expression:

$$R_G \cdot C_G \approx \frac{0.7 \cdot 12V}{1V / \mu s} = 8.4\mu s$$

$C_G$  needs to have a voltage rating as high as the  $BV_{DSS}$  of the MOSFET. A good choice for  $C_G$  is the AVX 06032C471KAT2A which has a value of 470pF and a voltage rating of 200V.  $R_G$  is then calculated to be 17.8kΩ.

The bootstrap capacitor  $C_B$  can be calculated from the gate charge as specified in the MOSFET data sheet and  $C_G$  as follows:

$$C_B > \frac{Q_G}{1V} + 10 \cdot C_G = \frac{30nC}{1V} + 10 \cdot 470pF$$

$$\approx 0.33nF. 100nF \text{ will be used.}$$

To meet the short-circuit specification, the TIMER pin should be connected to  $V_{CC}$  to enable immediate turn-off (approximately 70ns) of the MOSFET in the case of an overcurrent condition. If an overcurrent condition turns off the MOSFET, it will not turn back on until the INP pin has cycled low then back high.

The complete circuit is shown in Figure 15.

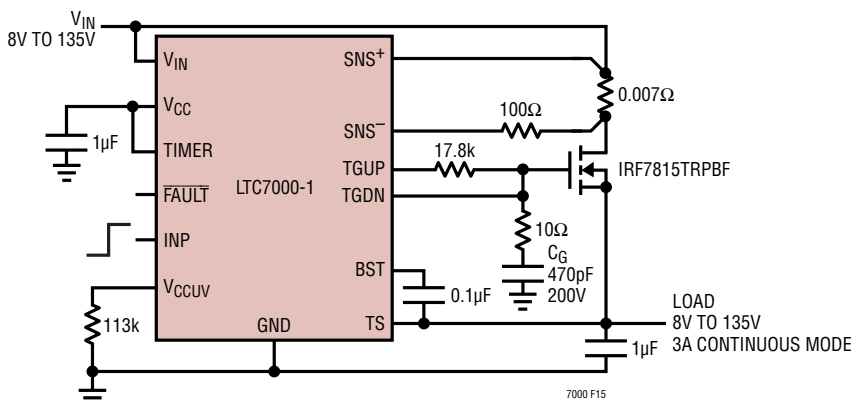
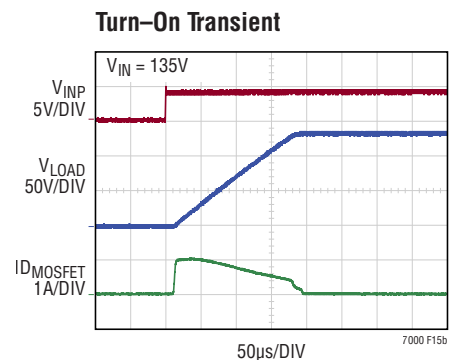


Figure 15. Design Example



## APPLICATIONS INFORMATION

### PC Board Layout Considerations

1. *Solder the exposed pad* on the backside of the LTC7000/LTC7000-1 packages directly to the ground plane of the board.
2. Kelvin connect the SNS<sup>+</sup> pin to the current sense resistor.
3. Limit the resistance of the TS trace, by making it short and wide.
4. C<sub>B</sub> needs to be close to chip.
5. Always include an option in the PC board layout to place a resistor in series with the gate of any external MOSFET. High frequency oscillations are design

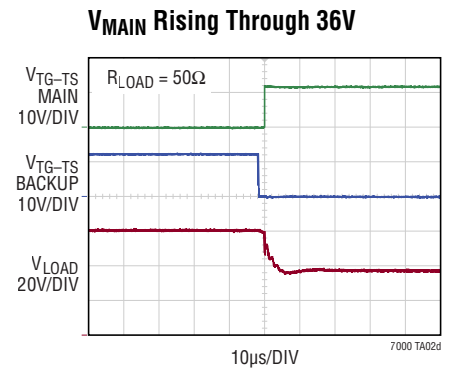
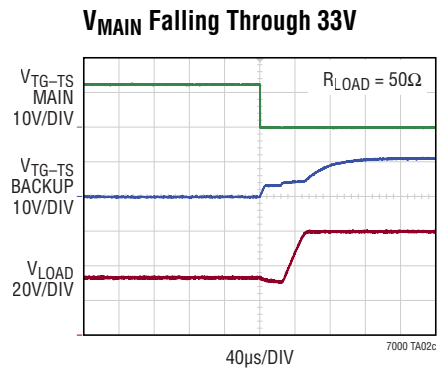
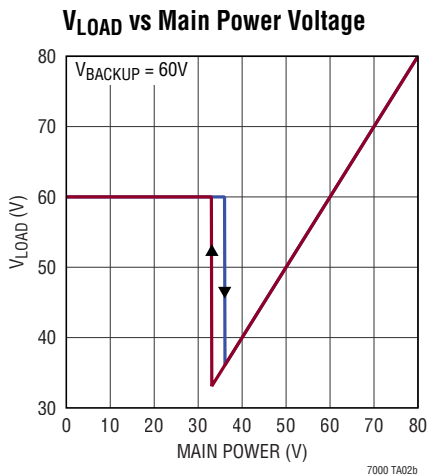
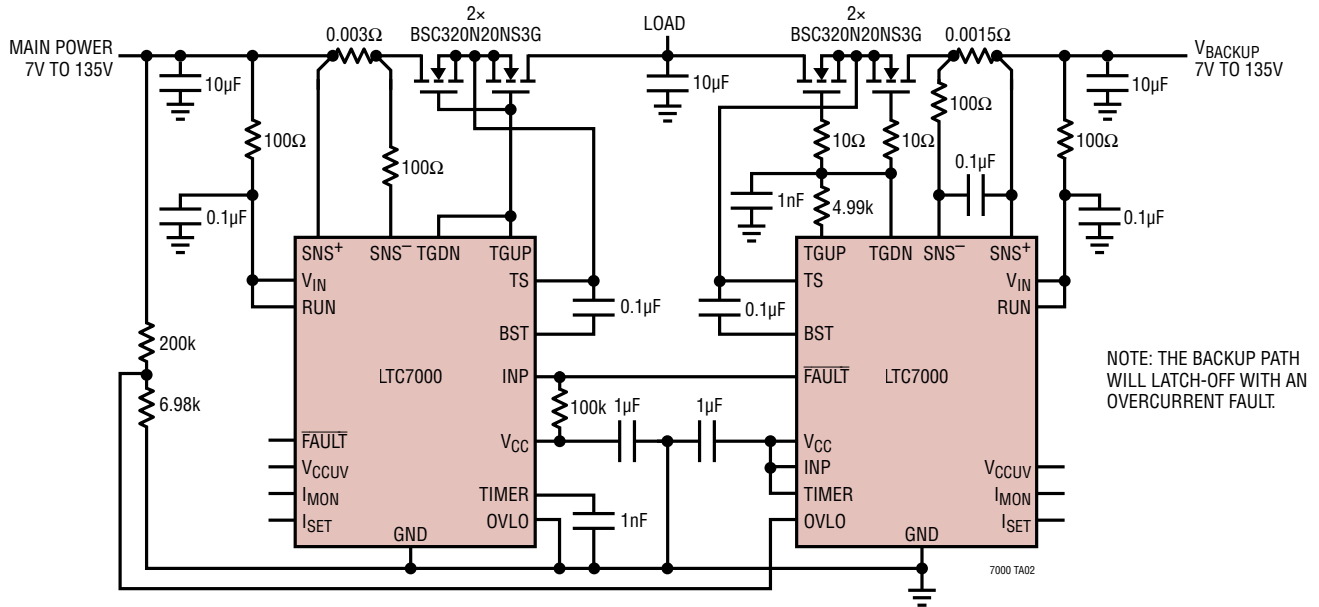
dependent and having the option to add a series dampening resistor can save a design iteration of the PC board.

### Pin Creepage and Clearance

In some higher voltage applications, the MSE16 package may not provide sufficient PC board trace clearance between high and low voltage pins. In applications where clearance is required, the LTC7000-1 in the MSE16(12) package can be used. The MSE16(12) package has removed pins between all the adjacent high voltage and low voltage pins, providing 0.657mm clearance, which will be sufficient for most applications. For more information, refer to the printed circuit board design standards described in IPC-2221.

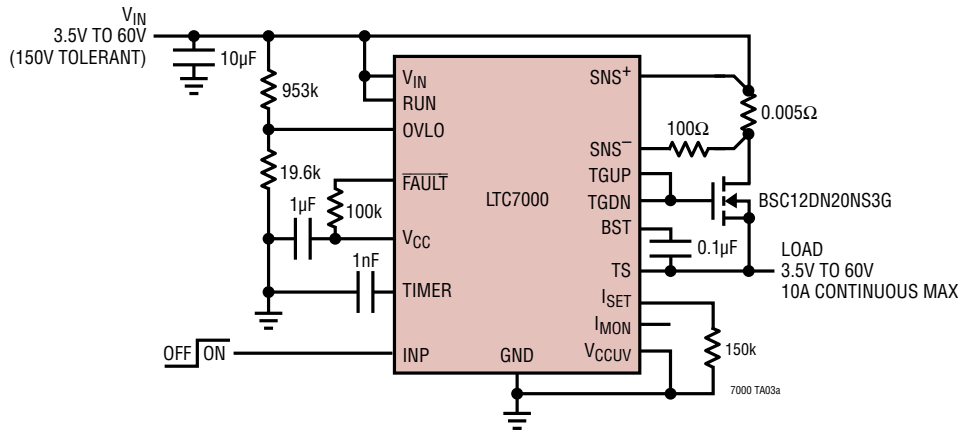
# TYPICAL APPLICATIONS

## Protected Redundant Supply Switchover with Shoot Through Protection

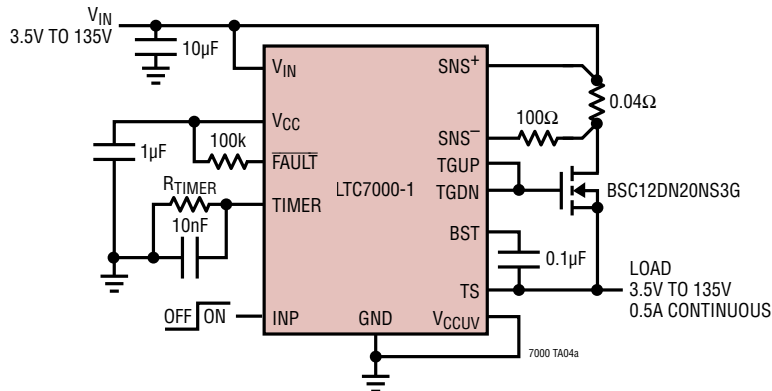


## TYPICAL APPLICATIONS

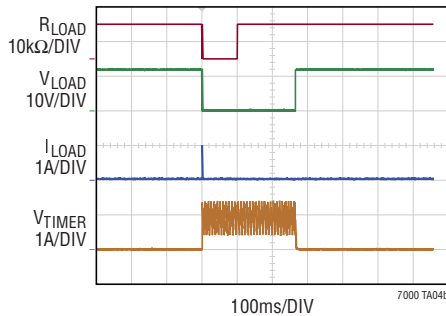
### High Side Switch with Input Overvoltage and Overcurrent Protection



### High Side Switch with Overcurrent Protection and Fault Latchoff

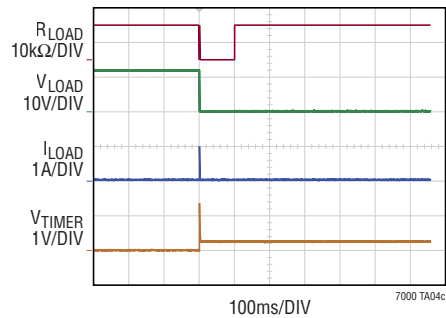


**R<sub>TIMER</sub> = OPEN**  
**12Ω/100ms LOAD PULSE**



V<sub>IN</sub> = 12V  
V<sub>INP</sub> = 4V

**R<sub>TIMER</sub> = 100k**  
**12Ω/100ms LOAD PULSE**

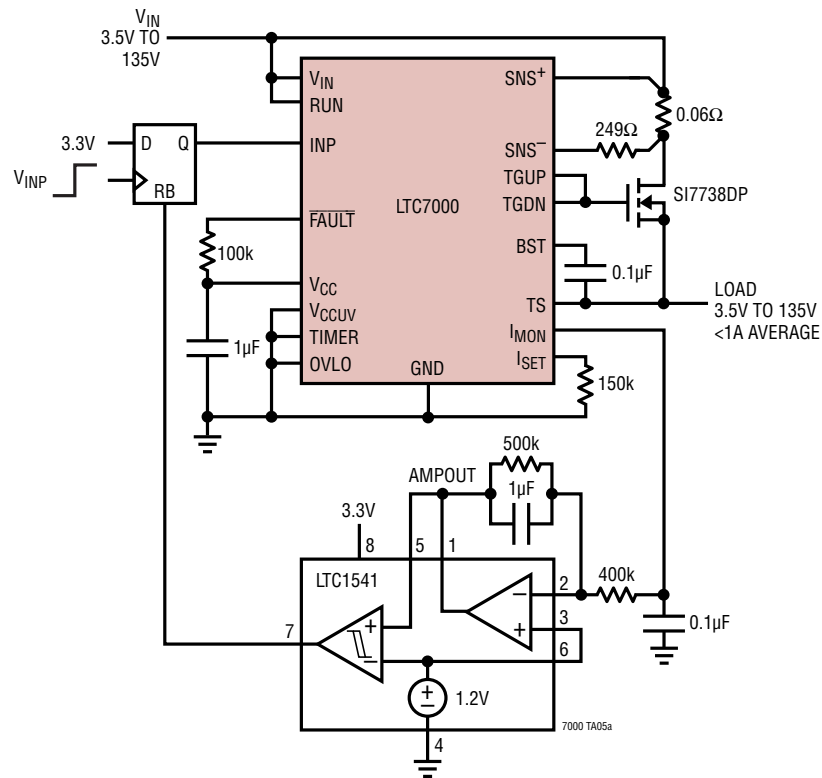


V<sub>IN</sub> = 12V  
V<sub>INP</sub> = 4V

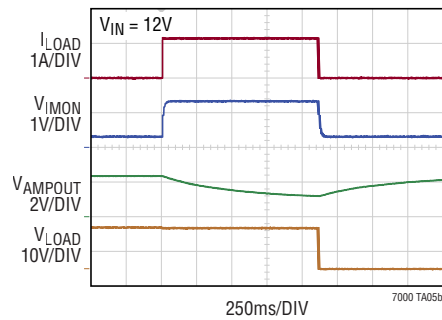


# TYPICAL APPLICATIONS

Average Current Trip

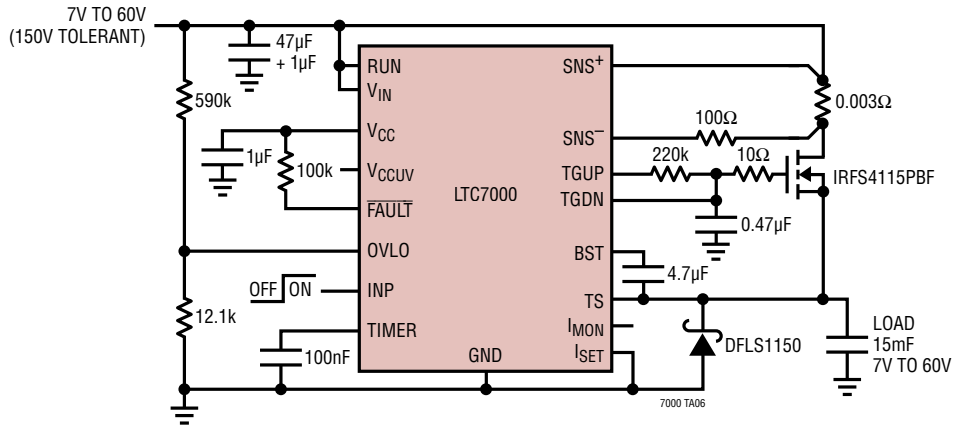


Response to 1.2A Load Step

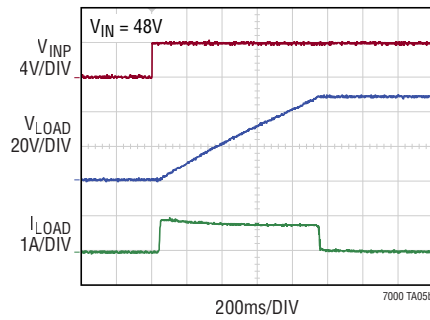


## TYPICAL APPLICATIONS

### High Side Switch with Auto-Retry, Inrush Control and OVLO

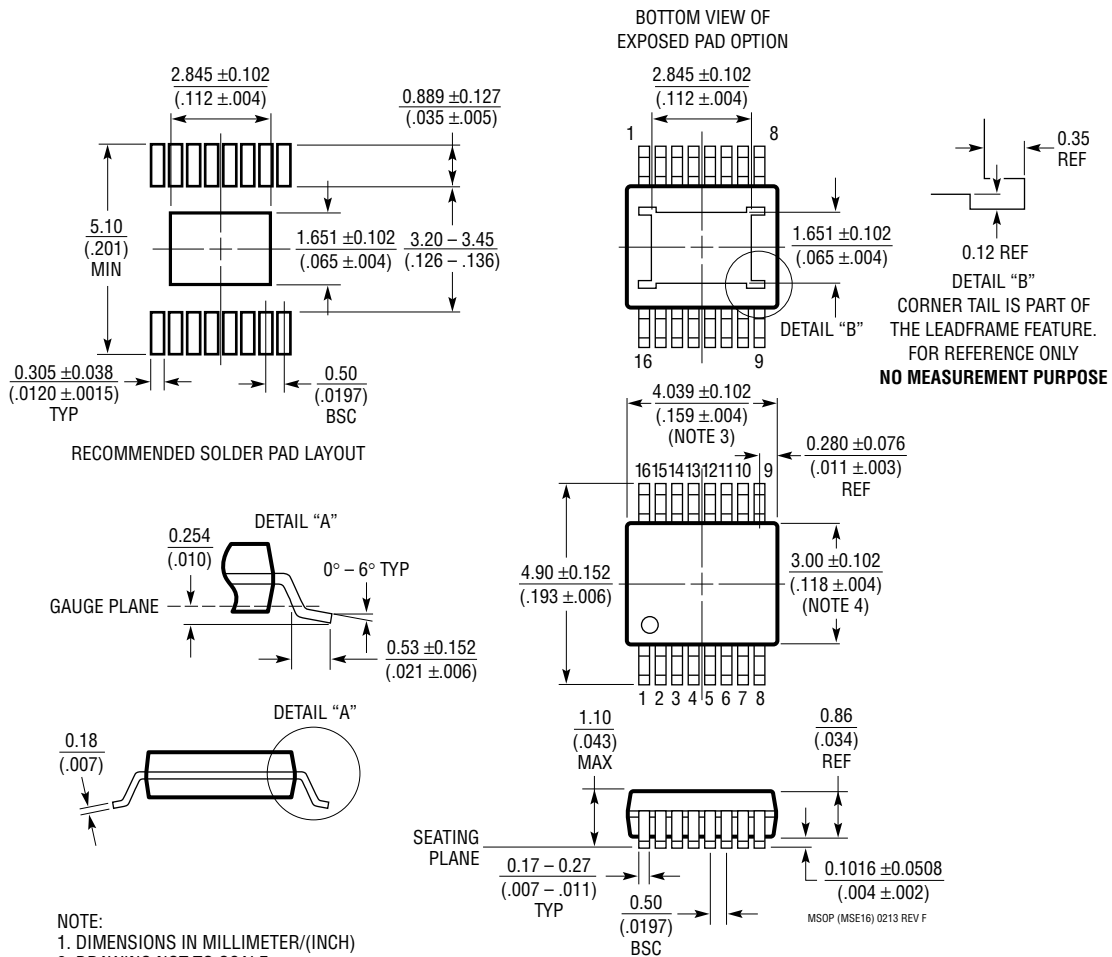


### Turn-On Response



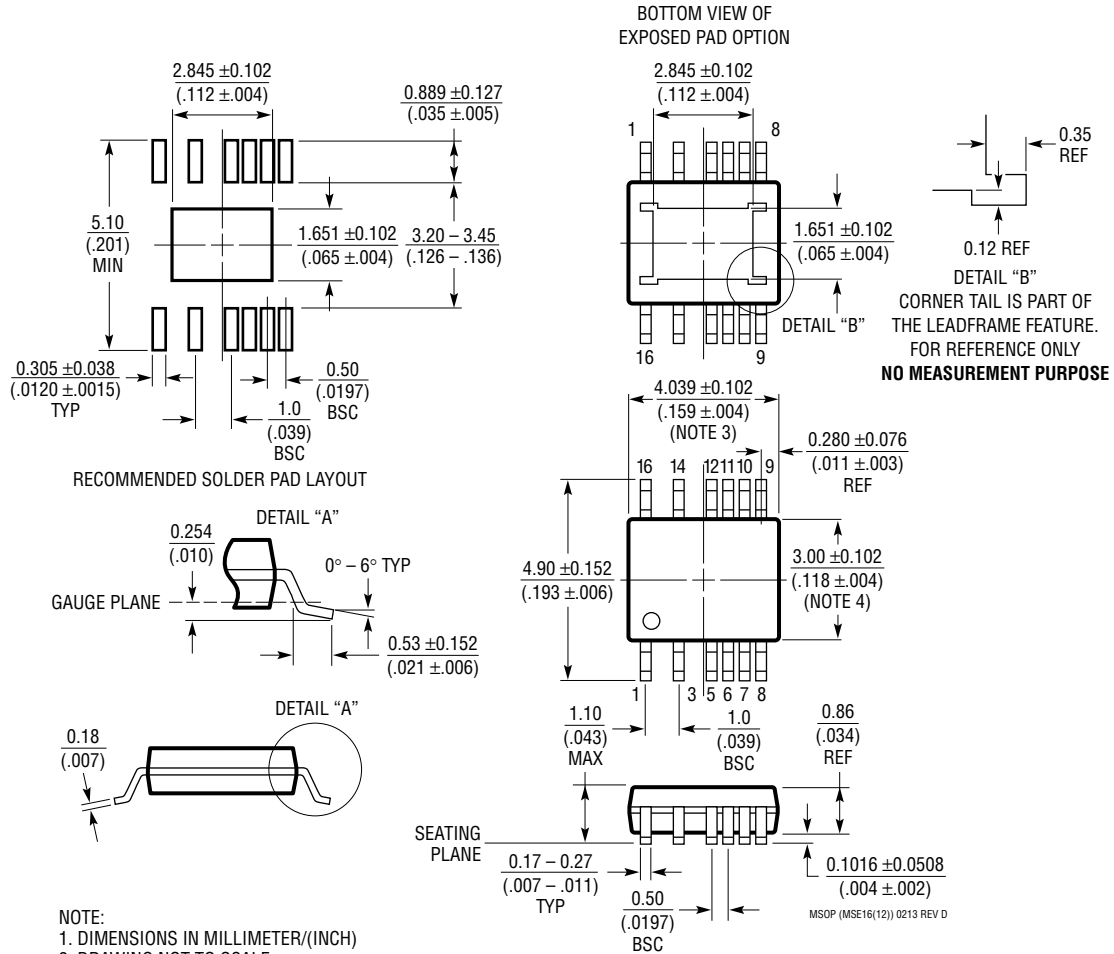
# PACKAGE DESCRIPTION

## MSE Package 16-Lead Plastic MSOP, Exposed Die Pad (Reference LTC DWG # 05-08-1667 Rev F)



## PACKAGE DESCRIPTION

**MSE Package**  
**Variation: MSE16 (12)**  
**16-Lead Plastic MSOP with 4 Pins Removed**  
**Exposed Die Pad**  
 (Reference LTC DWG # 05-08-1871 Rev D)

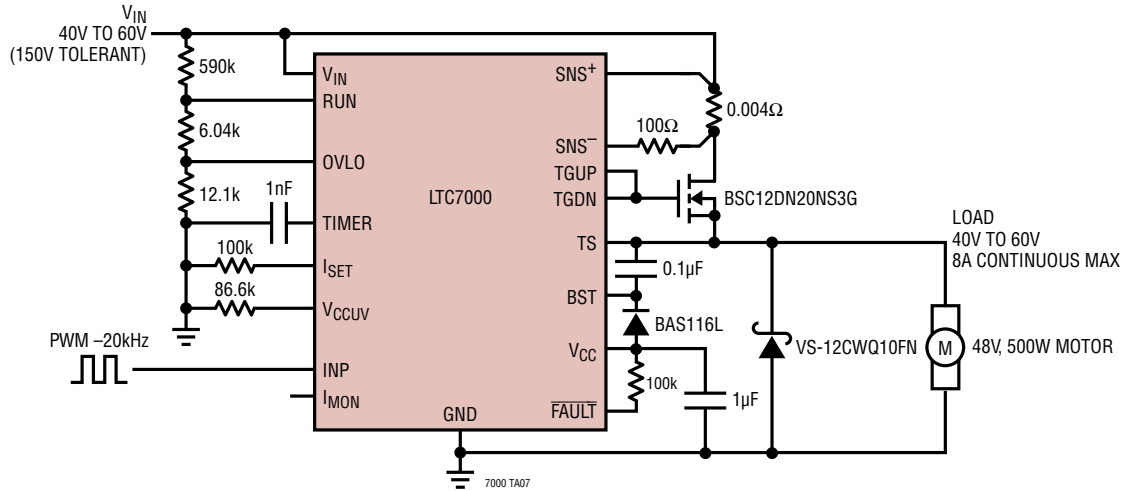


**REVISION HISTORY**

REV	DATE	DESCRIPTION	PAGE NUMBER
A	07/17	Updated pin descriptions.	7
		Modified Block Diagram.	8
		Inserted paragraph.	11, 13
		Modified equations.	13
		Changed from 3.3V to 3.5V in Fast Turn-Off Mode paragraph, updated Table 1 numbers.	14
		Changed to Zener from Schottky diode.	15
		Schematic clarification.	22, 23
B	08/18	Added 100Ω resistor to Typical Application.	1
		Changed Absolute Maximum Ratings for SNS <sup>+</sup> /SNS <sup>-</sup> .	3
		Replaced Typical Performance Curve G01.	6
		Modified Block Diagram.	9
		Updated schematic and graphs TA02c and TA02d.	22
C	02/19	Removed the temperature dot from the TIMER Pin Pull-Down Current specification.	5
D	11/19	Added AEC-Q100 Qualified for Automotive Applications and orderable part numbers	1, 3, 4
E	03/20	Correct Top Mark from 7000-1 to 70001	3

## TYPICAL APPLICATION

### Protected Motor Driver



## RELATED PARTS

PART NUMBER	DESCRIPTION	COMMENTS
<a href="#">LTC7001</a>	Fast 150V High Side NMOS Static Switch Driver	3.5V to 150V Operation, $I_Q = 35\mu\text{A}$ , Turn-On ( $C_L = 1\text{nF}$ ) = 35ns, Internal Charge Pump
<a href="#">LTC4440/LTC4440-5/LTC4440A-5</a>	High Speed, High Voltage High Side Gate Driver	Up to 100V Supply Voltage, $8\text{V} \leq V_{CC} \leq 15\text{V}$ , 2.4A Peak Pull-Up/1.5Ω Peak Pull-Down
<a href="#">LTC7138</a>	High Efficiency, 150V 250mA/400mA Synchronous Step-Down Regulator	Integrated Power MOSFETs, $4\text{V} \leq V_{IN} \leq 150\text{V}$ , $0.8\text{V} \leq V_{OUT} \leq V_{IN}$ , $I_Q = 12\mu\text{A}$ , MSOP-16 (12)
<a href="#">LTC7103</a>	105V, 2.3A Low EMI Synchronous Step-Down Regulator	$4.4\text{V} \leq V_{IN} \leq 105\text{V}$ , $1\text{V} \leq V_{OUT} \leq V_{IN}$ , $I_Q = 2\mu\text{A}$ Fixed Frequency 200kHz to 2MHz, 5mm x 6mm QFN
<a href="#">LTC7801</a>	150V Low $I_Q$ , Synchronous Step-Down DC/DC Controller	$4\text{V} \leq V_{IN} \leq 140\text{V}$ , 150V abs max, $0.8\text{V} \leq V_{OUT} \leq 60\text{V}$ , $I_Q = 40\mu\text{A}$ , PLL Fixed Frequency 320kHz to 2.25MHz
<a href="#">LT1910</a>	Protected High Side MOSFET Driver	8V to 48V Operation, $\Delta V_{SNS} = 65\text{mV}$ , $I_Q = 110\mu\text{A}$ , Turn-On ( $C_L = 1\text{nF}$ ) = 220μs, Internal Charge Pump
<a href="#">LTC4367</a>	100V Overvoltage, Undervoltage and Reverse Supply Protection	$2.5\text{V} \leq V_{IN} \leq 60\text{V}$ , $V_{OUT}$ Protection Up to 100V, Reverse Protection to -40V, MSOP-8, 3mm x 3mm DFN-8
<a href="#">LTC4368</a>	100V Overvoltage, Undervoltage and Reverse Protection Controller with Bidirectional Circuit Breaker	$2.5\text{V} \leq V_{IN} \leq 60\text{V}$ , $V_{OUT}$ Protection Up to 100V, Reverse Protection to -40V, MSOP-8, 3mm x 3mm DFN-8
<a href="#">LTC4364</a>	Surge Stopper with Ideal Diode	4V to 80V Operation, $\Delta V_{SNS} = 50\text{mV}$ , $I_Q = 425\mu\text{A}$ , Turn-On ( $C_L = 1\text{nF}$ ) = 500μs, Internal Charge Pump
<a href="#">LTC7860</a>	High Efficiency Switching Surge Stopper	4V to 60V Operation, $\Delta V_{SNS} = 95\text{mV}$ , $I_Q = 370\mu\text{A}$ , PMOS Driver
<a href="#">LTC4231</a>	Micropower Hot Swap Controller	2.7V to 36V Operation, $\Delta V_{SNS} = 50\text{mV}$ , $I_Q = 4\mu\text{A}$ , Turn-On ( $C_L = 1\text{nF}$ ) = 1ms, Internal Charge Pump
<a href="#">LTC3895</a>	150V Low $I_Q$ , Synchronous Step-Down DC/DC Controller	PLL Fixed Frequency 50kHz to 900kHz, $4\text{V} \leq V_{IN} \leq 140\text{V}$ , $0.8\text{V} \leq V_{OUT} \leq 60\text{V}$ , $I_Q = 40\mu\text{A}$
<a href="#">LTC4380</a>	Low Quiescent Current Surge Stopper	4V to 80V Operation, $\Delta V_{SNS} = 50\text{mV}$ , $I_Q = 8\mu\text{A}$ , Turn-On = 5ms, Internal Charge Pump
<a href="#">LTC3639</a>	High Efficiency, 150V 100mA Synchronous Step-Down Regulator	Integrated Power MOSFETs, $4\text{V} \leq V_{IN} \leq 150\text{V}$ , $0.8\text{V} \leq V_{OUT} \leq V_{IN}$ , $I_Q = 12\mu\text{A}$ , MSOP-16(12)

## X-ON Electronics

Largest Supplier of Electrical and Electronic Components

*Click to view similar products for [Power Management IC Development Tools](#) category:*

*Click to view products by [Analog Devices](#) manufacturer:*

Other Similar products are found below :

[EVAL-ADM1168LQEBZ](#) [EVB-EP5348UI](#) [MIC23451-AAAYFL EV](#) [MIC5281YMME EV](#) [DA9063-EVAL](#) [ADP122-3.3-EVALZ](#) [ADP130-0.8-EVALZ](#) [ADP130-1.2-EVALZ](#) [ADP130-1.5-EVALZ](#) [ADP130-1.8-EVALZ](#) [ADP1714-3.3-EVALZ](#) [ADP1716-2.5-EVALZ](#) [ADP1740-1.5-EVALZ](#) [ADP1752-1.5-EVALZ](#) [ADP1828LC-EVALZ](#) [ADP1870-0.3-EVALZ](#) [ADP1871-0.6-EVALZ](#) [ADP1873-0.6-EVALZ](#) [ADP1874-0.3-EVALZ](#) [ADP1882-1.0-EVALZ](#) [ADP199CB-EVALZ](#) [ADP2102-1.25-EVALZ](#) [ADP2102-1.875EVALZ](#) [ADP2102-1.8-EVALZ](#) [ADP2102-2-EVALZ](#) [ADP2102-3-EVALZ](#) [ADP2102-4-EVALZ](#) [ADP2106-1.8-EVALZ](#) [ADP2147CB-110EVALZ](#) [AS3606-DB](#) [BQ24010EVM](#) [BQ24075TEVM](#) [BQ24155EVM](#) [BQ24157EVM-697](#) [BQ24160EVM-742](#) [BQ24296MEVM-655](#) [BQ25010EVM](#) [BQ3055EVM](#) [NCV891330PD50GEVB](#) [ISLUSBI2CKIT1Z](#) [LM2744EVAL](#) [LM2854EVAL](#) [LM3658SD-AEV/NOPB](#) [LM3658SDEV/NOPB](#) [LM3691TL-1.8EV/NOPB](#) [LM4510SDEV/NOPB](#) [LM5033SD-EVAL](#) [LP38512TS-1.8EV](#) [EVAL-ADM1186-1MBZ](#) [EVAL-ADM1186-2MBZ](#)