

# Low Quiescent Current Ideal Diode Controller

## FEATURES

- Reduces Power Dissipation by Replacing a Power Schottky Diode
- Low Quiescent Current: 5µA Operating
- Wide Operating Voltage Range: 2.5V to 80V
- Reverse Supply Protection to -28V
- No TVS Input Clamps Required
- High Side External N-Channel MOSFET Drive
- Drives Back-to-Back MOSFETs for Inrush Control and Load Switching
- Shutdown Input for ON/OFF Control
- Fast Reverse Current Turn-Off within 1.5µs
- 8-Lead MSOP and 3mm × 3mm DFN Packages

## APPLICATIONS

- Automotive Battery Protection
- Redundant Power Supplies
- Portable Instrumentation
- Solar Powered Systems
- Energy Harvesting Applications
- Supply Holdup

## DESCRIPTION

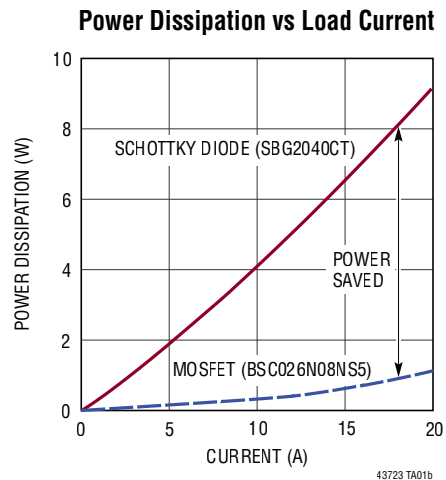
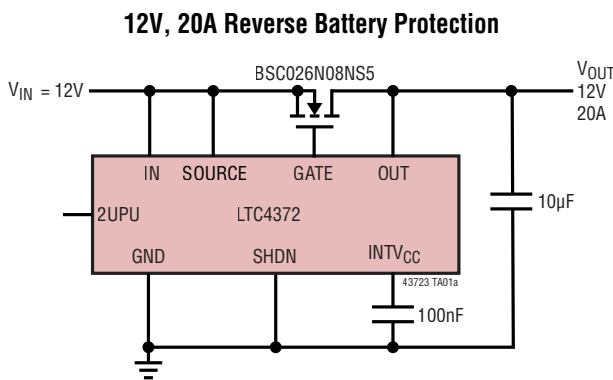
The **LTC®4372/LTC4373** are positive high voltage ideal diode controllers that drive an external N-channel MOSFET to replace a Schottky diode. They control the forward voltage drop across the MOSFET to ensure current delivery or current transfer from one path to the other even at light loads.

A 5µA operating current achieves high efficiency for intermittent load applications or always-on backup power supplies. If a power source fails or is shorted, a fast turn-off minimizes reverse current transients. The LTC4372/LTC4373 control back-to-back N-channel MOSFETs for inrush current control and load switching.

The LTC4372's SHDN pin keeps the MOSFET off and reduces the quiescent current to 3.5µA. The LTC4373 has a UV pin for undervoltage monitoring while the  $\overline{UVOUT}$  pin provides hysteresis adjustment and status information. During undervoltage, the back-to-back MOSFETs are cut off and quiescent current reduces to 0.5µA.

All registered trademarks and trademarks are the property of their respective owners.

## TYPICAL APPLICATION



# LTC4372/LTC4373

## ABSOLUTE MAXIMUM RATINGS

(Notes 1, 2)

IN, SOURCE .....	-28V to 100V
OUT .....	-2V to 100V
IN – OUT .....	-100V to 100V
IN – SOURCE .....	-1V to 100V
SOURCE – OUT .....	-100V to 100V
GATE – SOURCE (Note 3) .....	-0.3V to 10V
SHDN, UV, 2UPU, UVOUT .....	-0.3V to 100V
INTV <sub>CC</sub> .....	-0.3V to 6V

Operating Ambient Temperature Range

LTC4372C, LTC4373C ..... 0°C to 70°C

LTC4372I, LTC4373I ..... -40°C to 85°C

LTC4372H, LTC4373H ..... -40°C to 125°C

Storage Temperature Range ..... -65°C to 150°C

Lead Temperature (Soldering, 10 Sec)

MSOP Package ..... 300°C

## PIN CONFIGURATION

<p>LTC4372</p> <p style="text-align: center;">TOP VIEW</p> <p style="text-align: center;">DD PACKAGE 8-LEAD (3mm × 3mm) PLASTIC DFN T<sub>JMAX</sub> = 150°C, θ<sub>JA</sub> = 43°C/W EXPOSED PAD (PIN 9) PCB CONNECTION TO GND IS OPTIONAL</p>	<p>LTC4372</p> <p style="text-align: center;">TOP VIEW</p> <p style="text-align: center;">MS8 PACKAGE 8-LEAD PLASTIC MSOP T<sub>JMAX</sub> = 150°C, θ<sub>JA</sub> = 163°C/W</p>
<p>LTC4373</p> <p style="text-align: center;">TOP VIEW</p> <p style="text-align: center;">DD PACKAGE 8-LEAD (3mm × 3mm) PLASTIC DFN T<sub>JMAX</sub> = 150°C, θ<sub>JA</sub> = 43°C/W EXPOSED PAD (PIN 9) PCB CONNECTION TO GND IS OPTIONAL</p>	<p>LTC4373</p> <p style="text-align: center;">TOP VIEW</p> <p style="text-align: center;">MS8 PACKAGE 8-LEAD PLASTIC MSOP T<sub>JMAX</sub> = 150°C, θ<sub>JA</sub> = 163°C/W</p>

## ORDER INFORMATION

TUBE	TAPE AND REEL	PART MARKING*	PACKAGE DESCRIPTION	TEMPERATURE RANGE
LTC4372CDD#PBF	LTC4372CDD#TRPBF	LHGR	8-Lead (3mm × 3mm) Plastic DFN	0°C to 70°C
LTC4372IDD#PBF	LTC4372IDD#TRPBF	LHGR	8-Lead (3mm × 3mm) Plastic DFN	-40°C to 85°C
LTC4372HDD#PBF	LTC4372HDD#TRPBF	LHGR	8-Lead (3mm × 3mm) Plastic DFN	-40°C to 125°C
LTC4372CMS8#PBF	LTC4372CMS8#TRPBF	LTHGS	8-Lead Plastic MSOP	0°C to 70°C
LTC4372IMS8#PBF	LTC4372IMS8#TRPBF	LTHGS	8-Lead Plastic MSOP	-40°C to 85°C
LTC4372HMS8#PBF	LTC4372HMS8#TRPBF	LTHGS	8-Lead Plastic MSOP	-40°C to 125°C
LTC4373CDD#PBF	LTC4373CDD#TRPBF	LHMQ	8-Lead (3mm × 3mm) Plastic DFN	0°C to 70°C
LTC4373IDD#PBF	LTC4373IDD#TRPBF	LHMQ	8-Lead (3mm × 3mm) Plastic DFN	-40°C to 85°C
LTC4373HDD#PBF	LTC4373HDD#TRPBF	LHMQ	8-Lead (3mm × 3mm) Plastic DFN	-40°C to 125°C
LTC4373CMS8#PBF	LTC4373CMS8#TRPBF	LTHMR	8-Lead Plastic MSOP	0°C to 70°C
LTC4373IMS8#PBF	LTC4373IMS8#TRPBF	LTHMR	8-Lead Plastic MSOP	-40°C to 85°C
LTC4373HMS8#PBF	LTC4373HMS8#TRPBF	LTHMR	8-Lead Plastic MSOP	-40°C to 125°C

Contact the factory for parts specified with wider operating temperature ranges.

[Tape and reel specifications](#). Some packages are available in 500 unit reels through designated sales channels with #TRMPBF suffix.

## ELECTRICAL CHARACTERISTICS

The ● denotes the specifications which apply over the full operating temperature range, otherwise specifications are at  $T_A = 25^\circ\text{C}$ . IN = SOURCE = 12V, SHDN = 0V, UV = 2V unless otherwise noted.

SYMBOL	PARAMETER	CONDITIONS	MIN	TYP	MAX	UNITS	
$V_{IN}$	Input Supply Voltage Range		● 2.5		80	V	
$V_{IN(UVL)}$	Input Supply Undervoltage Lockout	IN Rising	● 1.9	2.1	2.45	V	
$\Delta V_{IN(HYST)}$	Input Supply Undervoltage Lockout Hysteresis			80		mV	
$V_{INTVCC}$	Internal Regulator Voltage	$I_{INTVCC} = 0$ to $-10\mu\text{A}$	● 2.5	3.5	4.5	V	
$I_Q$	Total Supply Current $I_Q = I_{IN} + I_{SOURCE} + I_{OUT}$	Diode Control: $I_{GATE} = -0.1\mu\text{A}$ Single or Back-to-Back MOSFETs (Note 4) (C-Grade, I-Grade) (H-Grade)	●	5	10	$\mu\text{A}$	
			●	5	20	$\mu\text{A}$	
		Shutdown: SHDN = 2V, UV = 0V Single MOSFET	●	3.5	10	$\mu\text{A}$	
		Back-to-Back MOSFETs	●	0.5	2.5	$\mu\text{A}$	
$I_{OUT}$	OUT Current	IN – OUT = 4V	●	-0.5	-10	$\mu\text{A}$	
		IN – OUT = -4V	●	1.8	5	$\mu\text{A}$	
$I_{NEG}$	IN + SOURCE Current During Reverse Battery	IN = SOURCE = -24V, OUT = 24V	●	-1	-5	mA	
$I_{OUT(NEG)}$	OUT Current During Reverse Battery	IN = SOURCE = -24V, OUT = 24V	●	0.3	0.5	mA	
$\Delta V_{SD(T)}$	Source-Drain Threshold (IN-OUT)	Low to High. Activates $I_{GATE(UP)}$	●	20	30	45	mV
$\Delta V_{GATE(H)}$	Maximum GATE Drive (GATE-SOURCE)	IN ≤ 5V, $\Delta V_{SD} = 0.1\text{V}$ , $I_{GATE} = 0$ , $-1\mu\text{A}$	●	4.5	6.5	10	V
		IN > 5V, $\Delta V_{SD} = 0.1\text{V}$ , $I_{GATE} = 0$ , $-1\mu\text{A}$	●	10	11.7	16	V
$I_{GATE(UP)}$	GATE Pull-Up Current	GATE = IN, $\Delta V_{SD} = 0.1\text{V}$	●	-15	-20	-25	$\mu\text{A}$

# LTC4372/LTC4373

## ELECTRICAL CHARACTERISTICS

The ● denotes the specifications which apply over the full operating temperature range, otherwise specifications are at  $T_A = 25^\circ\text{C}$ .  $I_N = \text{SOURCE} = 12\text{V}$ ,  $\text{SHDN} = 0\text{V}$ ,  $\text{UV} = 2\text{V}$  unless otherwise noted.

SYMBOL	PARAMETER	CONDITIONS	MIN	TYP	MAX	UNITS	
$I_{\text{GATE(DOWN)}}$	GATE Pull-Down Current	Shutdown: $\text{SHDN} = 2\text{V}$ , $\text{UV} = 0\text{V}$ , $\Delta V_{\text{GATE}} = 5\text{V}$	●	0.5	1	3	mA
		Reverse Current: $\Delta V_{\text{SD}} = -0.1\text{V}$ , $\Delta V_{\text{GATE}} = 5\text{V}$	●	70	130	230	mA
		Reverse Battery: $I_N = \text{SOURCE} = -7\text{V}$ , $\text{GATE} = -3\text{V}$	●	70	130	230	mA
$V_{\text{GATE(NEG)}}$	GND-GATE clamp	$I_{\text{GATE}} = 10\text{mA}$ (Note 3)	●	-28	-32	-35	V
$V_{\text{SOURCE(TH)}}$	Reverse SOURCE Threshold for GATE Off	$\text{GATE} = 0\text{V}$ (Note 5)	●	-0.9	-1.8	-2.7	V
$t_{\text{OFF}}$	Gate Turn-Off Delay Time	$\Delta V_{\text{SD}} = \text{Step } 0.1\text{V to } -0.8\text{V}$ , $C_{\text{GATE}} = 0\text{pF}$ , $\Delta V_{\text{GATE}} < 1\text{V}$	●		0.5	1.5	$\mu\text{s}$
$t_{\text{ON}}$	Gate Turn-On Delay Time	$I_N = 12\text{V}$ , $\text{SOURCE} = \text{OUT} = 0\text{V}$ , $\Delta V_{\text{GATE}} > 4.5\text{V}$ , $C_{\text{GATE}} = 0\text{pF}$ , $\text{SHDN} = 2\text{V to } 0\text{V}$ , $\text{UV} = 0\text{V to } 1.25\text{V}$	●	100	500	1200	$\mu\text{s}$

### LTC4372

$I_{2\text{UPU}}$	2UPU Pull-Up Current		●	-1	-2	-3	$\mu\text{A}$
$V_{\text{SHDN}}$	SHDN Threshold	SHDN Falling	●	1	1.2	1.4	V
$V_{\text{SHDN(HYST)}}$	SHDN Threshold Hysteresis		●	2	15	40	mV
$I_{\text{SHDN}}$	SHDN Leakage Current	$\text{SHDN} = 1.2\text{V}$	●		$\pm 1$	$\pm 50$	nA

### LTC4373

$V_{\text{UV}}$	UV Threshold	UV Falling	●	1.174	1.191	1.208	V
$V_{\text{UV(HYST)}}$	UV Threshold Hysteresis		●	2	15	40	mV
$I_{\text{UV(LK)}}$	UV Leakage Current	$\text{UV} = 1.2\text{V}$	●		$\pm 1$	$\pm 50$	nA
$I_{\text{UVOUT(LK)}}$	$\overline{\text{UVOUT}}$ Leakage Current	$\text{UV} = 2\text{V}$ , $\overline{\text{UVOUT}} = 1.2\text{V}$ (C-Grade, I-Grade) (H-Grade)	●		$\pm 1$	$\pm 50$	nA
			●		$\pm 1$	$\pm 200$	nA
$R_{\text{UVOUT\#}}$	$\overline{\text{UVOUT}}$ Output Low Resistance	$I = 2\text{mA}$	●		140	500	$\Omega$
$t_{\text{UV}}$	Under Voltage Detect to $\overline{\text{UVOUT}}$ Assert Low	$\text{UV} = \text{Step } 1.25\text{V to } 1.1\text{V}$	●	10	50	300	$\mu\text{s}$

**Note 1:** Stresses beyond those listed under Absolute Maximum Ratings may cause permanent damage to the device. Exposure to any Absolute Maximum Rating condition for extended periods may affect device reliability and lifetime.

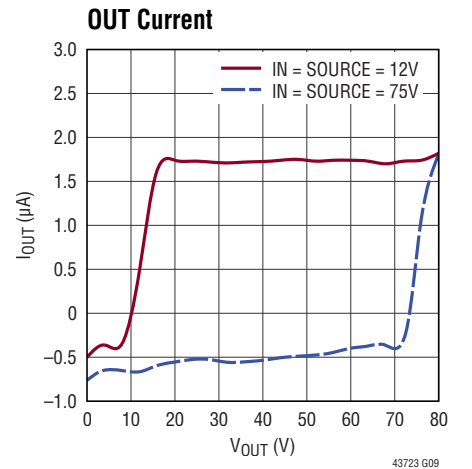
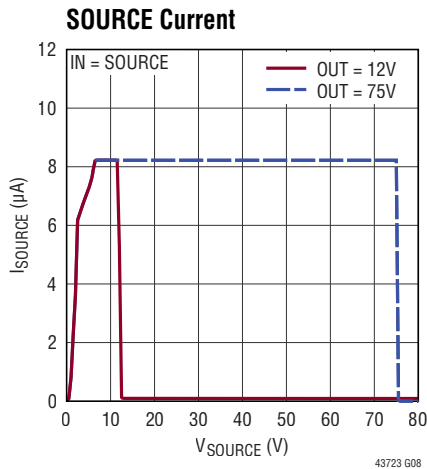
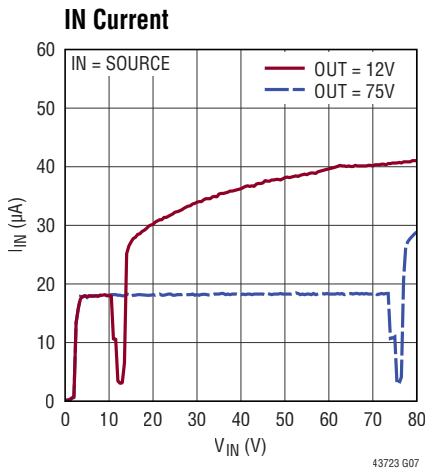
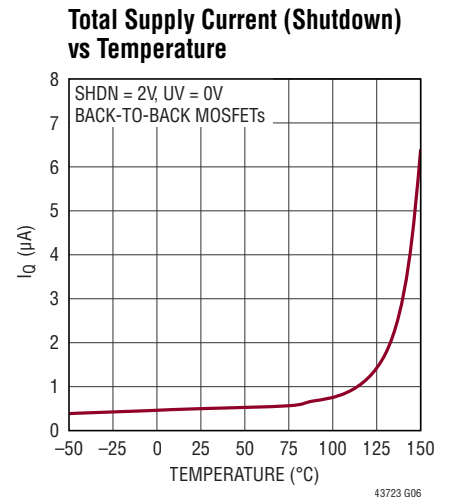
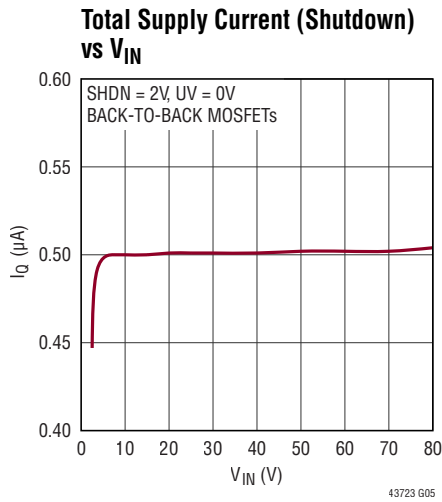
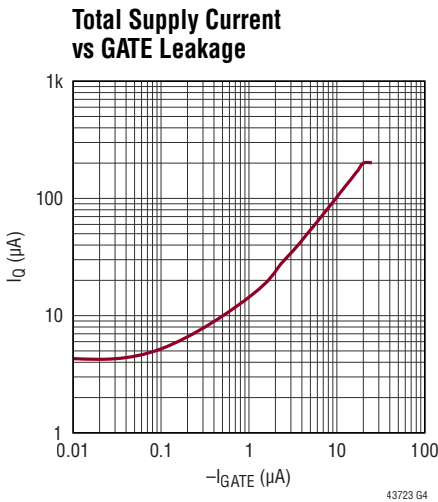
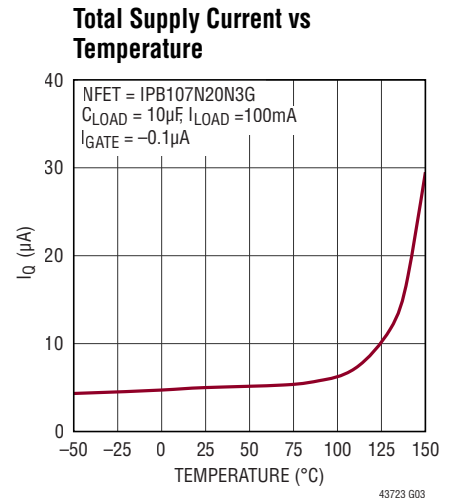
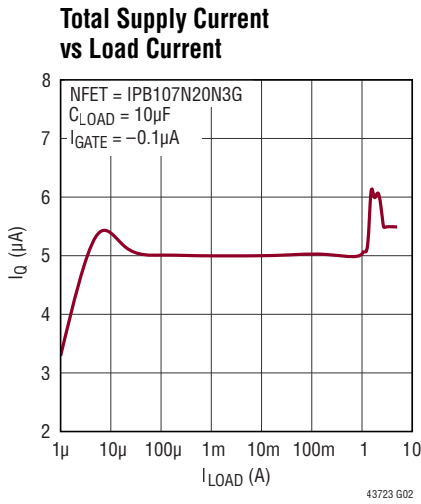
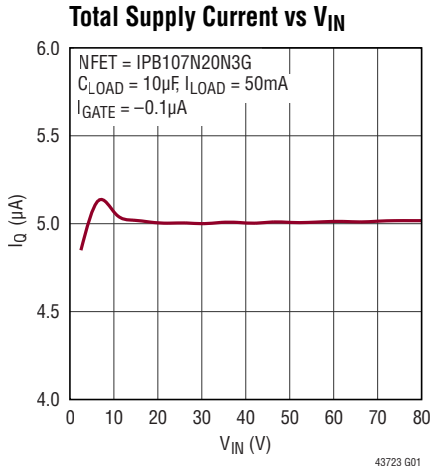
**Note 2:** All currents into device pins are positive; all currents out of device pins are negative. All voltages are referenced to GND unless otherwise specified.

**Note 3:** An internal clamp limits the GATE pin to a minimum of 10V above SOURCE or 100V above GND. A second internal clamp limits the GATE pin to a minimum of 28V below GND. Driving this pin to voltages beyond the clamp may damage the device.

**Note 4:** When testing the single MOSFET configuration,  $I_N$  is connected to SOURCE. When testing the back-to-back MOSFET configuration, SOURCE is left unconnected.

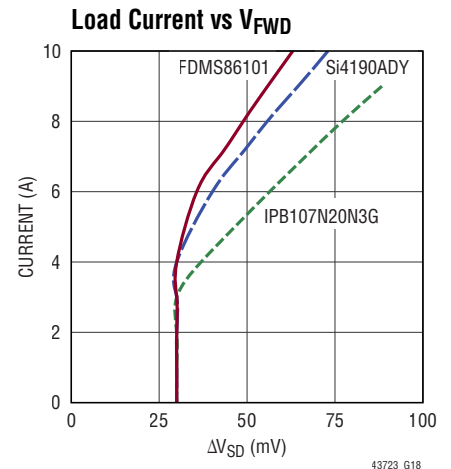
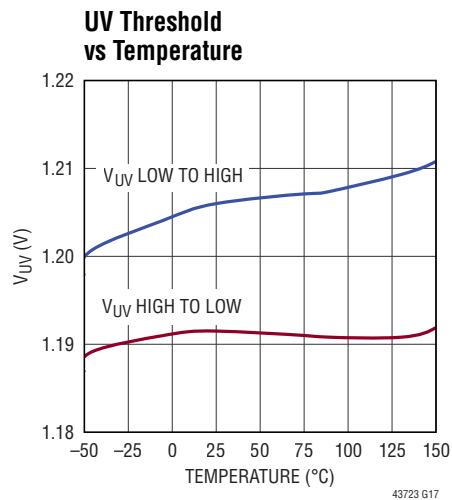
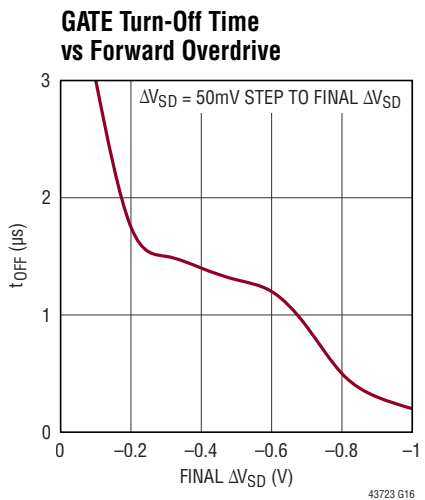
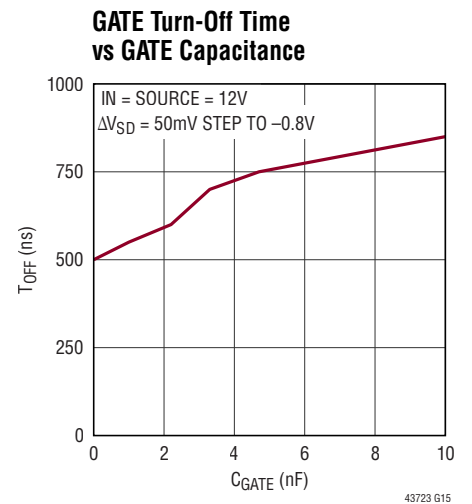
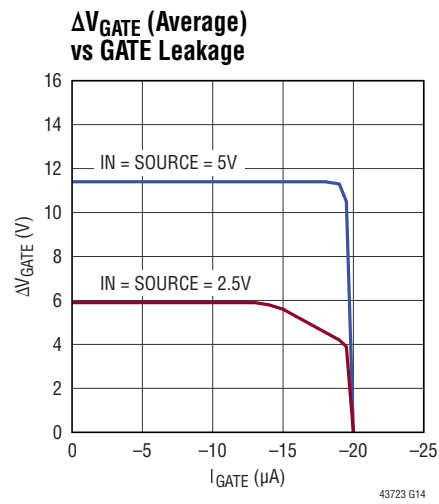
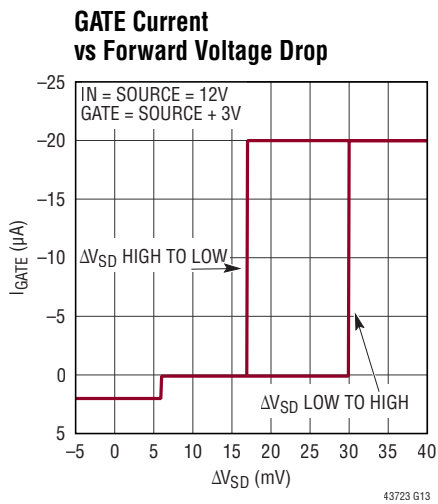
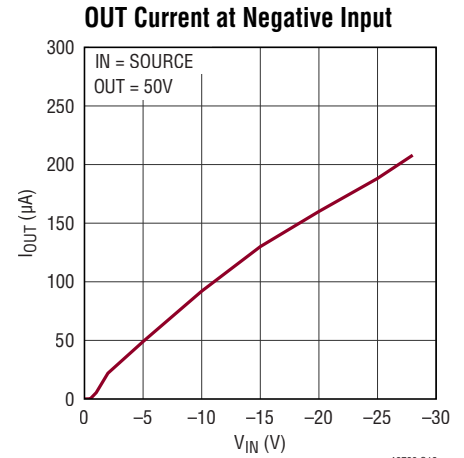
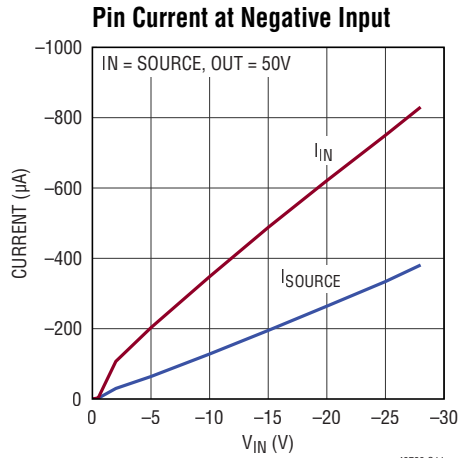
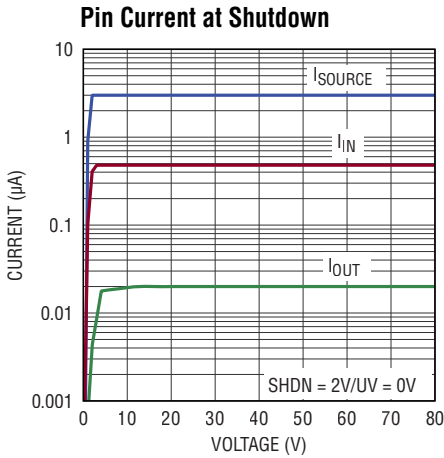
**Note 5:**  $\text{SOURCE} \leq -1.8\text{V}$  triggers a 130mA pull-down current from GATE to SOURCE. An internal clamp limits the GATE pin to a minimum of 28V below GND. Driving SOURCE to voltages beyond the clamp may damage the device.

**TYPICAL PERFORMANCE CHARACTERISTICS**  $T_A = 25^\circ\text{C}$ . IN = SOURCE = 12V, SHDN = 0V, UV = 2V unless otherwise noted.



# LTC4372/LTC4373

## TYPICAL PERFORMANCE CHARACTERISTICS $T_A = 25^\circ\text{C}$ . IN = SOURCE = 12V, SHDN = 0V, UV = 2V unless otherwise noted.



## PIN FUNCTIONS

**Exposed Pad (DD Package Only)** : Exposed pad may be left open or connected to device ground.

**GATE**: MOSFET Gate Drive Output. The LTC4372/LTC4373 control the gate of the MOSFET to maintain the voltage drop between 0mV to 30mV using a pulsed control method. If reverse current flows, a fast pull-down circuit connects GATE to SOURCE within 0.5 $\mu$ s, turning off the MOSFET.

**GND**: Device Ground.

**IN**: Voltage Sense and Supply Voltage. IN is the anode of the ideal diode. The voltage sensed at this pin is used to control the MOSFET gate for forward voltage regulation and reverse current turn-off. The positive supply input ranges from 2.5V to 80V for normal operation. It can go below GND by up to 28V during a reverse battery condition without damaging the part.

**INTV<sub>CC</sub>**: Internal 3V Supply Decoupling Output. Connect a 0.1 $\mu$ F or larger capacitor to this pin. An external load of less than 10 $\mu$ A can be connected at this pin.

**OUT**: MOSFET Drain Voltage Sense. OUT is the cathode of the ideal diode and the common output when multiple LTC4372/LTC4373's are configured as an ideal diode-OR. It connects to the drain of the N-channel MOSFET. The voltage sensed at this pin is used to control the MOSFET

gate for forward voltage regulation and reverse current turn-off. OUT is used as the supply to hold the MOSFET off when IN is not available (below UVLO). Connect a 10 $\mu$ F or larger capacitor to this pin.

**SHDN (LTC4372)**: Shutdown Control Input. The LTC4372 can be shut down to a low current mode by pulling SHDN above 1.215V. Connect to GND if unused.

**SOURCE**: MOSFET Source Connection. SOURCE is the return path of the GATE fast pull-down. Connect this pin as close as possible to the source of the external N-channel MOSFET.

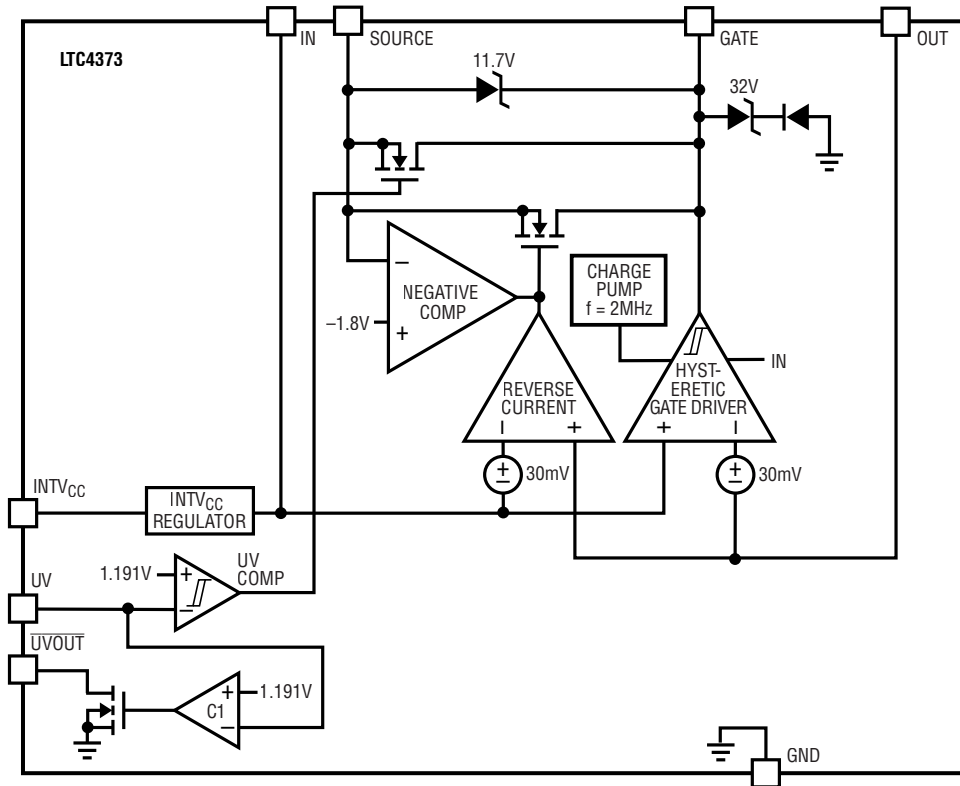
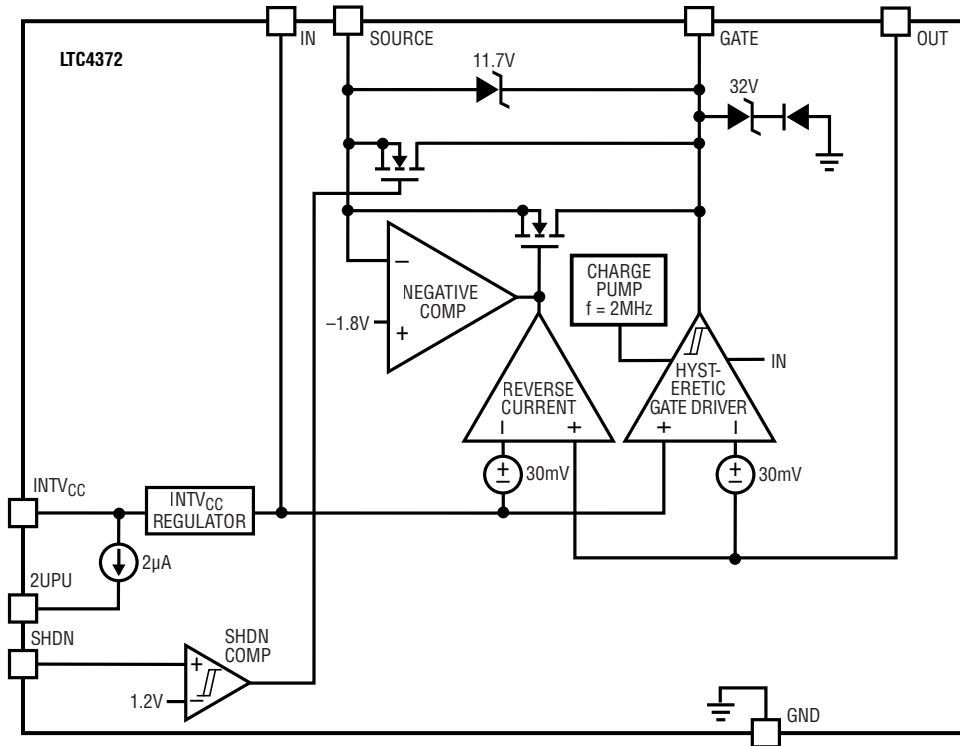
**2UPU (LTC4372)**: 2 $\mu$ A Pull-Up Output. This pin has a 2 $\mu$ A pull-up to INTV<sub>CC</sub>. It can be connected to SHDN to facilitate on/off control of the LTC4372 by a microcontroller's open-drain output. If unused, leave open or connect to INTV<sub>CC</sub>.

**UVOUT (LTC4373)**: UV Status Output. Open Drain output that pulls low when UV goes below 1.191V ( $V_{UV}$ ) and goes high impedance when UV exceeds 1.191V. UVOUT can be used to adjust hysteresis for the UV monitor. This pin may be left open or connected to GND if unused.

**UV (LTC4373)**: Undervoltage Detection Input. The LTC4373 goes into a low current shutdown mode when UV is below 1.191V. Connect to INTV<sub>CC</sub> if unused.

# LTC4372/LTC4373

## BLOCK DIAGRAM

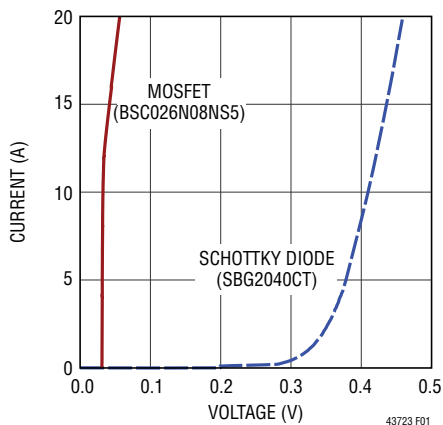


43723 BD



## OPERATION

Blocking diodes are commonly placed in series with supply inputs for ORing redundant supplies and protecting against supply reversal. The LTC4372/LTC4373 replace the diodes such as in portable equipment and automotive applications with N-channel MOSFETs acting as ideal diodes. The forward voltage drop reduces as shown in Figure 1, a feature that is readily appreciated at low input voltages where headroom is tight.



**Figure 1. Forward Voltage Drop Comparison Between MOSFET and Schottky Diode**

As a result of this lower forward voltage drop, there is a dramatic reduction in power loss achieved in a practical application as shown in the Typical Application curve on Page 1. This represents significant savings in board area by greatly reducing heat sinking requirements of the pass device. In addition to these two desirable properties, the LTC4372/LTC4373 feature a low operating current (5 $\mu$ A) and shutdown current (0.5 $\mu$ A). This increases efficiency in applications where the ideal diode is used for intermittent loads or always on standby channels, making the LTC4372/LTC4373 suitable for battery powered applications in the portable instrumentation, automotive and renewable energy fields.

The source of the external MOSFET is connected to IN and SOURCE while its drain is connected to OUT. The LTC4372/LTC4373 control the gate of the MOSFET to regulate the voltage drop across the pass transistor to less than 30mV.

In the event of a rapid drop in input voltage, such as an input short-circuit fault or negative-going voltage spike, reverse current temporarily flows through the MOSFET. This current is provided by any load capacitance and by other supplies or batteries that feed the output in diode-OR applications. The reverse current comparator quickly responds to this condition by turning the MOSFET off in 500ns. This fast turn-off prevents the reverse current from ramping up to a damaging level, thus minimizing the disturbance to the output bus.

IN, SOURCE and GATE are protected against reverse inputs of up to  $-28$ V. The negative comparator detects negative input potentials at SOURCE and quickly connects GATE to SOURCE, turning off the MOSFET and isolating the load from the negative input.

For the LTC4372, driving SHDN high pulls the MOSFET gate down to SOURCE with a 1mA pull-down.  $I_Q$  reduces to 0.5 $\mu$ A for a back-to-back MOSFET configuration and GATE is held low with a 3 $\mu$ A pull-down to GND. When SHDN goes low, the LTC4372 ramps GATE up to turn on the external MOSFET. 2UPU has a 2 $\mu$ A pull-up to INTV<sub>CC</sub> which can be connected to SHDN to facilitate on/off control by a microcontroller's open-drain output.

The LTC4373 can monitor the input voltage via an external resistive voltage divider to UV. When UV goes below 1.191V, GATE pulls down to SOURCE with a 1mA pull-down and  $\overline{UVOUT}$  pulls low.  $I_Q$  reduces to 0.5 $\mu$ A for a back-to-back MOSFET configuration and GATE is held low with a 3 $\mu$ A pull down to GND. When UV recovers above  $V_{UV} + V_{UV(HYST)}$ , the LTC4373 ramps GATE up to turn on the external MOSFET. An optional resistor can be connected between UV and  $\overline{UVOUT}$  to configure an external hysteresis to override  $V_{UV(HYST)}$ .

## APPLICATIONS INFORMATION

The LTC4372/LTC4373 operate from 2.5V to 80V and withstands an absolute maximum range of  $-28\text{V}$  to  $100\text{V}$  without damage. In automotive applications the LTC4372/LTC4373 can operate through load dump, cold crank and two-battery jump starts, and survive reverse battery connections while protecting the load.

A 12V/20A ideal diode application is shown in Figure 2. The following sections cover power-on, ideal diode operation, shutdown and various faults that the LTC4372/LTC4373 detect and act upon.

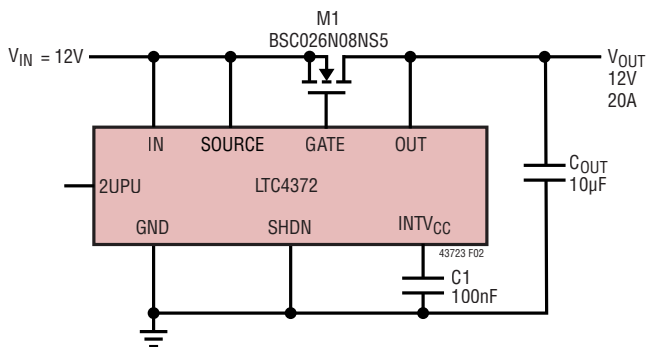


Figure 2. 12V/20A Ideal Diode with Reverse Input Protection

### Power-On and Ideal Diode Operation

When power is applied, the initial load current flows through the body diode of the MOSFET M1. When IN exceeds the UVLO level of 2.1V and SHDN is low or UV is high, the LTC4372/LTC4373 begin operation. An internal charge pump asserts a  $20\mu\text{A}$  pull-up on GATE to enhance the MOSFET. To achieve a low supply current, the LTC4372/LTC4373 employ a pulsed control style of operation where the internal charge pump is not always on. Instead, the charge pump periodically wakes up to recharge GATE after it droops from leakage to keep  $\Delta V_{SD} \leq 30\text{mV}$ . This pulsed control creates a voltage ripple at OUT even with a stable DC load. The amplitude of this ripple is dependent on gate leakage, GATE capacitance, the load condition and the size of the bypass capacitance at OUT. At low load or no-load condition, this ripple can increase to  $30\text{mV}_{\text{PK-PK}}$ . Figure 3 shows a typical OUT ripple at an ultralight  $I_{\text{LOAD}}$  of  $1\mu\text{A}$  for the circuit shown in Figure 2.

With a moderate DC load, the ripple amplitude is about  $10\text{mV}_{\text{pk-pk}}$ . Figure 4 shows a typical OUT ripple at a moderate  $I_{\text{LOAD}}$  of 2A for the circuit shown in Figure 2.

Figure 5 shows a typical OUT ripple at an  $I_{\text{LOAD}}$  of 16A for the circuit shown in Figure 2.

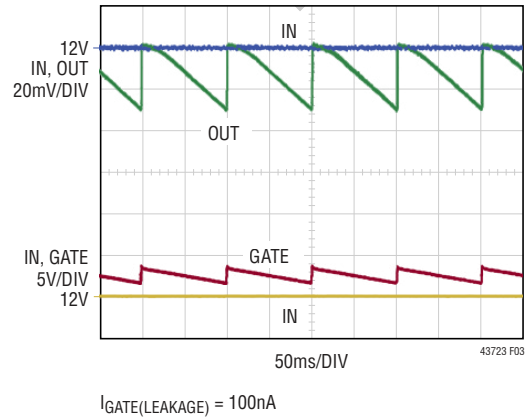


Figure 3. Regulating  $\Delta V_{SD}$  at Low  $I_{\text{LOAD}} = 1\mu\text{A}$

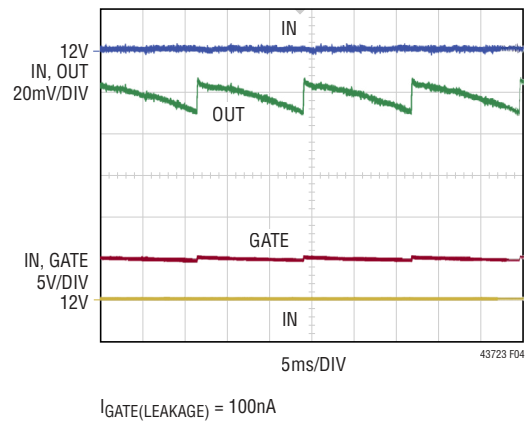


Figure 4. Regulating  $\Delta V_{SD}$  at Moderate  $I_{\text{LOAD}} = 2\text{A}$

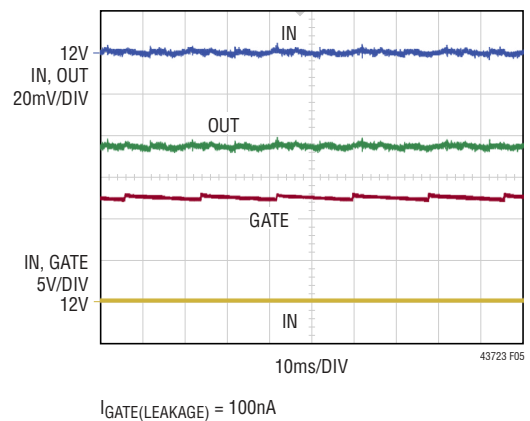


Figure 5. Regulating  $\Delta V_{SD}$  at High  $I_{\text{LOAD}} = 16\text{A}$

## APPLICATIONS INFORMATION

As the load current increases, GATE is driven higher and higher until a point is reached where  $\Delta V_{GATE}$  reaches the maximum overdrive that the internal charge pump is capable of ( $\Delta V_{GATE(H)}$ ) but  $\Delta V_{SD}$  is still above 30mV. In this situation, the internal charge pump will periodically turn on to recharge GATE as needed to keep  $\Delta V_{GATE}$  between  $\Delta V_{GATE(H)}$  and  $\Delta V_{GATE(H)} - 0.7V$ .  $\Delta V_{SD}$  is then equal to  $R_{DS(ON)} \cdot I_{LOAD}$ . There is now insignificant ripple on OUT as the 0.7Vpk-pk ripple on  $\Delta V_{GATE}$  has little effect on the MOSFET  $R_{ON}$ .

### Achieving Low Average $I_Q$

To lower average  $I_Q$  in diode control mode when GATE is high, the LTC4372/LTC4373 operate by turning on the charge pump periodically. When in charge pump sleep mode, the  $I_Q$  is 3.5 $\mu$ A. Once the charge pump is turned on to deliver a current pulse to GATE,  $I_Q$  goes up to 300 $\mu$ A. The average  $I_Q$  will depend on how often the charge pump is turned on and this is affected by GATE leakage, GATE capacitance, OUT bypass capacitance and  $I_{LOAD}$ . To achieve the lowest possible average  $I_Q$ , minimize GATE leakage and ensure that GATE has a moderate capacitance (>1nF). If the  $C_{GS}$  of the MOSFET does not already exceed this, add a 1nF capacitor between GATE and SOURCE.  $C_{LOAD}$  may be placed nearer to the load but an OUT bypass capacitance of at least 10 $\mu$ F low ESR and ESL electrolytic or ceramic is required close to the drain pin of MOSFET M1 (see Figure 6a). Average  $I_Q$  for Diode Control mode can be estimated by Equation 1.

$$\text{AVERAGE } I_Q = 3.5 + \frac{I_{GATE(LEAKAGE)}}{I_{GATE(UP)}} \cdot 300\mu A \quad (1)$$

The Typical Performance Characteristics section shows relationship of  $I_Q$  with  $I_{GATE(LEAKAGE)}$  and  $I_{LOAD}$ .

### MOSFET Selection

The LTC4372/LTC4373 drive N-channel MOSFETs to conduct the load current. The important characteristics of the MOSFET are the gate threshold voltage  $V_{GS(TH)}$ , the maximum drain-source voltage  $BV_{DSS}$  and on-resistance  $R_{DS(ON)}$ .

Gate drive is compatible with 4.5V logic-level MOSFETs over the entire operating range of 2.5V to 80V. In applications with supply voltages above 5V, standard 10V threshold MOSFETs may be used. An internal clamp limits the gate drive to 16V maximum between GATE and SOURCE.

The maximum allowable drain-source voltage,  $BV_{DSS}$ , must be higher than the power supply voltage. If the input is grounded, the full supply voltage will appear across the MOSFET. If a reverse battery is possible and the output is held up by a charged capacitor, battery or power supply, then the sum of the input and output voltages will appear across the MOSFET and  $BV_{DSS}$  must be higher than  $V_{OUT} + |V_{IN}|$ .

The MOSFET's on-resistance,  $R_{DS(ON)}$ , directly affects the forward voltage drop and power dissipation during a heavy load. Desired forward voltage drop ( $V_{FWD}$ ) should be less than that of a diode for reduced power dissipation; 50mV is a good starting point. Since the LTC4372/LTC4373 drop at least 30mV across the MOSFET, a very low  $R_{DS(ON)}$  may be wasted. Choose a MOSFET using Equation 2.

$$R_{DS(ON)} < \frac{V_{FWD}}{I_{LOAD}} \quad (2)$$

The resulting power dissipation is shown in Equation 3.

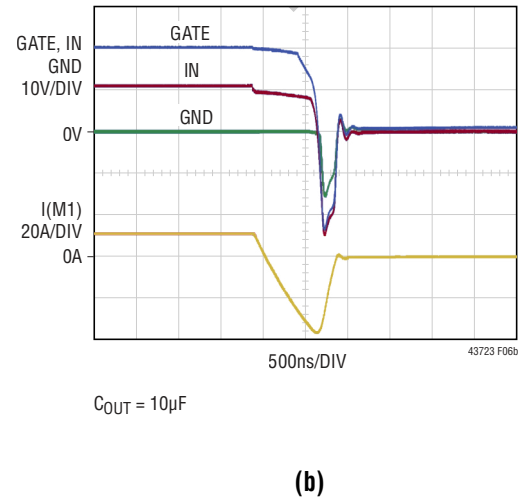
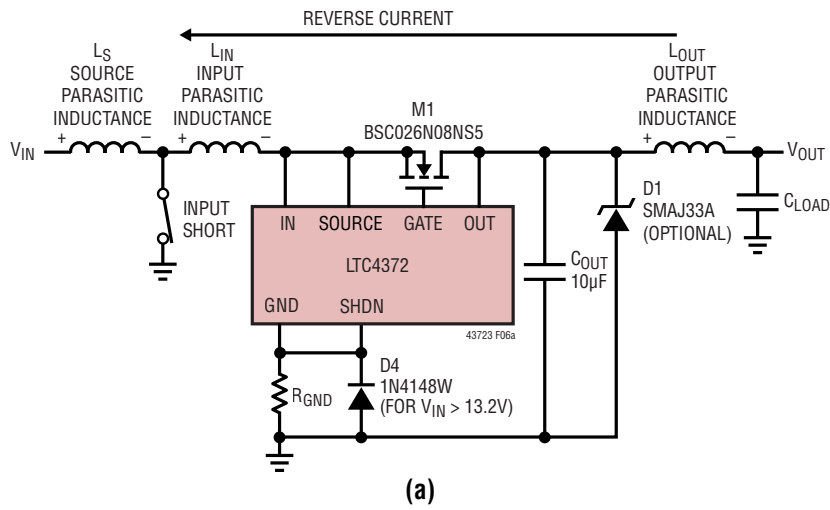
$$P_d = I_{LOAD}^2 \cdot R_{DS(ON)} \quad (3)$$

### Input Short-Circuit Faults

Input short-circuits that cause reverse current to flow can occur in many ways. Some examples include PCB traces getting accidentally shorted or bypass capacitors in the upstream power supply failing shorted. The LTC4372/LTC4373 utilize the external MOSFETs to add rugged input short-circuit protection without using large TVS clamps or capacitors.

Figure 6a models a low impedance input short with a switch. When the short-circuit switch closes, reverse current builds up in  $L_{IN}$ ,  $L_{OUT}$  and M1 in the direction shown. The LTC4372/LTC4373 detect the reverse current quickly and activate the internal 130mA GATE to SOURCE pull-down current to turn M1 off. The reverse current build up

## APPLICATIONS INFORMATION



**Figure 6. Reverse Recovery Produces Inductive Spikes at IN, SOURCE and OUT. The Polarity of Inductive Spike is Shown Across Parasitic Inductances**

in  $L_{IN}$  and  $L_{OUT}$  is interrupted and this causes IN to spike negative and OUT to spike positive. At OUT,  $C_{OUT}$  clamps the positive going spike caused by  $L_{OUT}$  and commutates  $I(L_{OUT})$  to zero. At IN, the internal GND – GATE clamp asserts and holds GATE to 32V below GND, this causes M1 to turn back on as IN/SOURCE undershoots below GATE. The current in  $L_{IN}$  is diverted by M1 to  $C_{OUT}$  and safely commutates to zero as shown in the short-circuit transient of Figure 6b. If these transients cause too large of a  $\Delta V$  at OUT, increase the capacitance of  $C_{OUT}$  or add a TVS D1.

If a low source resistance power supply drives  $V_{IN}$ , large currents can build up in  $L_S$  during the short-circuit. When the short-circuit goes away,  $I(L_S)$  can cause IN and SOURCE to spike positive until it is held by M1 body diode to  $C_{OUT}$ . This fast slew rate at SOURCE can cause a large shoot-through current to flow into the part from SOURCE to GND potentially causing damage. Adding an external  $R_{GND}$  will limit this current to a safe level.

For applications where  $IN \leq 13.2V$ , a 0805 size 100 $\Omega$  for  $R_{GND}$  is sufficient. For applications where  $IN > 13.2V$ , a larger value  $R_{GND}$ , 1k, is necessary. To keep GND from going too negative when the GND – GATE clamp turns on, a fast recovery diode like the 1N4148W is placed in parallel with the 1k  $R_{GND}$ .

For back-to-back MOSFET applications where SOURCE is not driven by  $V_{IN}$ ,  $R_{GND}$  is not needed.  $R_{GND}$  can also be omitted for a single MOSFET application driven by a

power supply with a large source impedance.  $V_{IN}$  collapses during the short-circuit and cannot build up current in  $L_S$ . SOURCE will not see fast slew rates when the short-circuit goes away.

Using the external MOSFETs to commutate the parasitic inductor currents during an input short-circuit is feasible with input voltages up to 33V. This ensures that during the transient, the IN – OUT Absolute Maximum Voltage of  $\pm 100V$  is not exceeded. During the short-circuit transient, the MOSFET  $V_{DS}$  sees  $|V_{GND}| + |V_{GATE(NEG)}| + V_{TH(M1)} + V_{OUT}$ . Choose the MOSFET  $BV_{DSS}$  accordingly. For other techniques to protect the LTC4372/LTC4373 during input short-circuits see the Design Examples section.

### Reverse Input Protection

Negative voltages at IN can also occur if a battery is plugged in backwards or a negative supply is inadvertently connected. Figure 7 shows the waveforms when the application circuit in Figure 2 is hot plugged to  $-24V$ . Due to the parasitic inductance in between input and IN/SOURCE, the voltages at the pins can ring significantly below  $-24V$ . Similar to the input short-circuit situation, the GND – GATE clamp causes M1 to divert the current in the parasitic inductances to  $C_{OUT}$ . The GND – GATE clamp limits the maximum DC negative voltage that the Figure 2 application can handle to  $-28V$ .

## APPLICATIONS INFORMATION

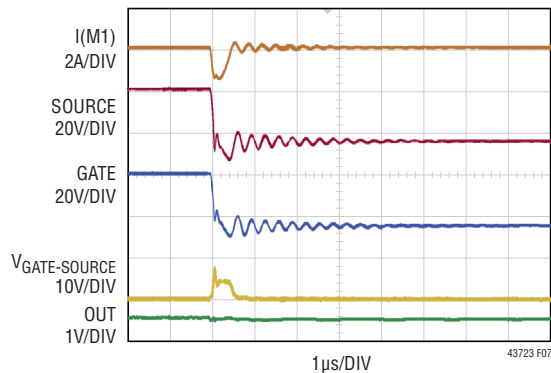


Figure 7. LTC4372/LTC4373 Handling Reverse Input

### Paralleling Supplies

Multiple LTC4372/LTC4373's can be used to combine the outputs of two or more supplies for redundancy or for droop sharing, as shown in Figure 8. For redundant supplies, the supply with the highest output voltage sources most or all of the load current. Figure 9a and Figure 9b show the load transition between the two redundant power supplies.

Depending on INA and INB's supply impedances, slew rates and the transient response of the LTC4372/LTC4373, a transient reverse current might flow into lower

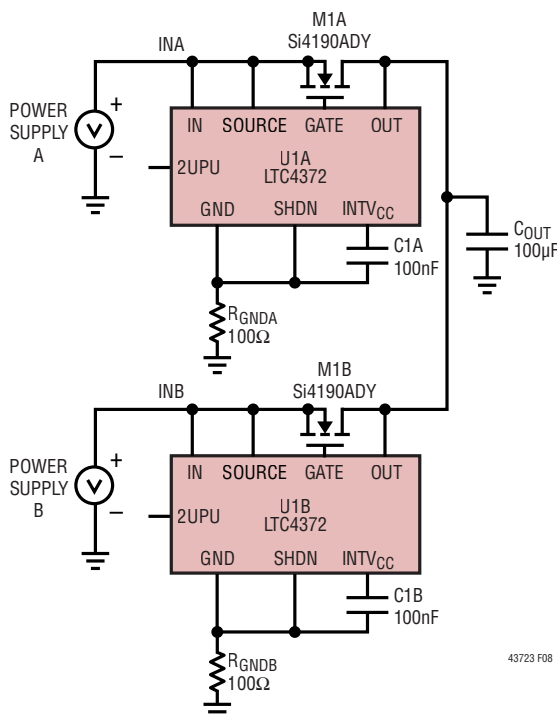
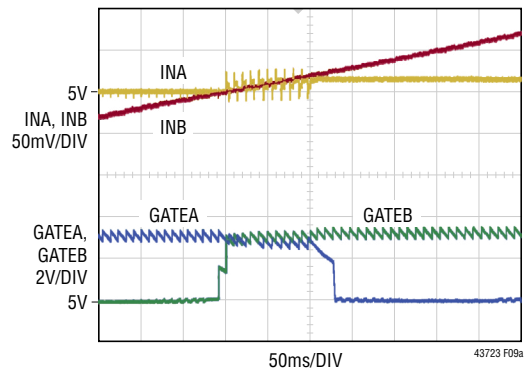
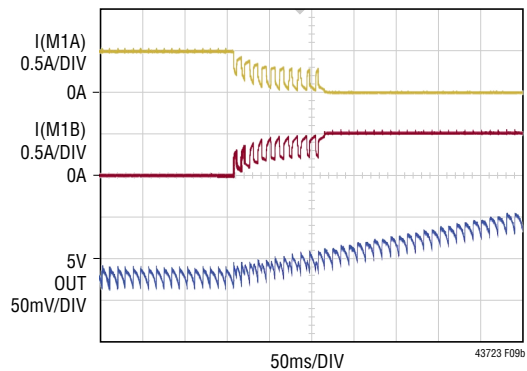


Figure 8. Redundant Power Supplies



(a)



$I_{GATEA(LEAKAGE)} = I_{GATEB(LEAKAGE)} = 100nA$

(b)

Figure 9. Load Transition of Redundant Power Supplies

supply (INA) from the supply ramping higher (INB). The reverse current may cause INA to rise, with the amount of voltage rise dependent on the input supply's impedance. The safest course of action is to use capacitors on the input supply whose voltage rating is higher than the highest voltage in the system, or to consider protecting these capacitors with a TVS, for example.

If the higher supply's input is shorted to ground while delivering load current, the flow of current temporarily reverses and flows backwards through the higher supply's MOSFET. The LTC4372/LTC4372 sense this reverse current and activate a fast pull-down to quickly turn off the MOSFET.

If all the load current was supplied by the channel that suffered the short, the output will fall until the body diode of the next MOSFET conducts. Meanwhile, the LTC4372/LTC4372 charge the MOSFET gate with 20µA until the forward drop

## APPLICATIONS INFORMATION

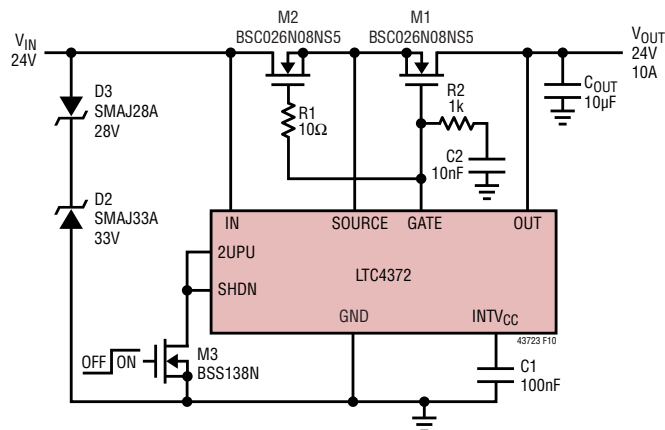
is reduced to 30mV. If this supply was sharing load current at the time of the fault, its associated ORing MOSFET was already servoed to less than 30mV drop. In this case, the LTC4372/LTC4373 will simply drive the MOSFET gate higher to maintain a drop of 30mV at full load.

Load sharing can be accomplished if both power supply output voltages and source impedances are nearly equal. The 30mV regulation technique allows load sharing between outputs. The degree of sharing is a function of MOSFET  $R_{DS(ON)}$ , the source impedance of the supplies and their initial output voltages.

### Using the LTC4372's SHDN and 2UPU

When SHDN goes high, the LTC4372 enters shutdown and asserts a 1mA pull-down between GATE and SOURCE to turn off the external MOSFET. It also turns off most of the internal circuitry, reducing  $I_{IN}$  to 0.5 $\mu$ A. GATE is held low with a 3 $\mu$ A pull-down to GND. If IN and SOURCE are connected together,  $I_Q = 3.0\mu\text{A} + 0.5\mu\text{A} = 3.5\mu\text{A}$ .

Shutting down the part does not interrupt forward current flow as a path is still present through M1's body diode. A second MOSFET may be added to block the forward path (see Figure 10). In this case, GATE and SOURCE are pulled to GND during shutdown. The 3 $\mu$ A pull-down on GATE is pinched off and  $I_Q = 0.5\mu\text{A}$ . With back-to-back MOSFETs, SHDN serves as an on/off control for the forward path, as well as enabling the diode function. When SHDN is driven low, the LTC4372 exits shutdown and re-enters ideal diode operation.



**Figure 10. 24V Load Switch and Ideal Diode with Inrush Control and Reverse Input Protection**

If SHDN is not needed, connect it to GND. SHDN may be driven with a 3.3V or 5V logic signal. It can also be driven with an open-drain or collector output with SHDN tied to 2UPU. 2UPU provides an internal pull up current of 2 $\mu$ A to  $INTV_{CC}$ . For higher pull-up currents, connect a resistor from SHDN to  $INTV_{CC}$  (capable of supplying up to 10 $\mu$ A) or IN.

### Load Switching and Inrush Control

By adding a second MOSFET as shown in Figure 10, the LTC4372/LTC4373 can be used to control power flow in the forward direction while retaining ideal diode behavior in the reverse direction. The body diodes of M1 and M2 prohibit current flow when the MOSFETs are off. M1 serves as the ideal diode while M2 acts as a switch to control forward power flow. ON/OFF control is provided by SHDN or UV. C2 and R2 may be added to further reduce inrush current. While C2 and R2 may be omitted if soft starting is not needed. R1 is necessary to prevent MOSFET parasitic oscillations and must be placed close to M2.

When SHDN is driven low or UV driven high and  $\Delta V_{DS} > 30\text{mV}$ , GATE sources 20 $\mu$ A and gradually charges C2, pulling up both MOSFET gates. M2 operates as a source follower as shown in Equation 4.

$$I_{INRUSH} = \frac{C_{OUT}}{C2} \cdot 20\mu\text{A} \quad (4)$$

If  $\Delta V_{DS} \leq 30\text{mV}$ , the LTC4372/LTC4373 stay activated but holds M1 and M2 off until the input exceeds the output by 30mV. In this way normal diode behavior of the circuit is preserved, but with soft starting when the diode turns on.

When SHDN is driven high or UV driven low, GATE pulls the MOSFET gates down quickly to SOURCE with a 1mA pull-down. Both forward and reverse paths are cut off and  $I_Q$  is reduced to 0.5 $\mu$ A.

### Configuring LTC4373's UV and $\overline{UVOUT}$ for Voltage Monitoring

With back-to-back MOSFETs, the LTC4373 can implement voltage monitoring at IN. Connect a resistive voltage divider between IN and ground to bias UV. UV has a high to low threshold of 1.191V with 15mV of hysteresis. The UV hysteresis is around 1.3% referred to  $V_{UV}$ .

## APPLICATIONS INFORMATION

When UV ramps high to low, the LTC4373 enters under-voltage mode and asserts a 1mA pull-down between GATE and SOURCE to turn off the external MOSFETs. It also turns off most of the internal circuitry, reducing  $I_Q$  to  $0.5\mu\text{A}$ . When UV ramps low to high, the LTC4373 exits under-voltage mode and goes back into ideal diode operation.

Figure 11 demonstrates how UV can be used to monitor IN. For the UV pin, the maximum input leakage current is  $50\text{nA}$ . For a maximum error of 1% due to leakage currents, the resistive voltage divider current  $I_{RVD}$  should be at least 100 times the sum of the leakage currents, or  $5\mu\text{A}$ . The IN Undervoltage threshold ( $V_{H2L}$ ) is used to calculate the value of R4, R5 and Undervoltage Recovery threshold ( $V_{L2H}$ ) as shown in Equation 5.

$$V_{H2L} = V_{UV} \cdot \frac{R4 + R5}{R4} \quad (5)$$

$$V_{L2H} = (V_{UV} + V_{UV(HYST)}) \cdot \frac{R4 + R5}{R4}$$

For applications that require a higher and more accurate hysteresis,  $\overline{UVOUT}$  can be used to program an external hysteresis to override the default hysteresis. Comparator C1 in the Block Diagram controls an internal  $140\Omega$  switch pulling down on  $\overline{UVOUT}$ . When UV ramps below  $1.191\text{V}$  and trips C1, the switch pulls  $\overline{UVOUT}$  low. When UV ramps above  $1.191\text{V}$  and un-trips C1, the switch turns off and  $\overline{UVOUT}$  goes high impedance. By connecting R6 between UV and  $\overline{UVOUT}$ , R4 and R5 implements  $V_{H2L}$  and  $V_{L2H}$ .

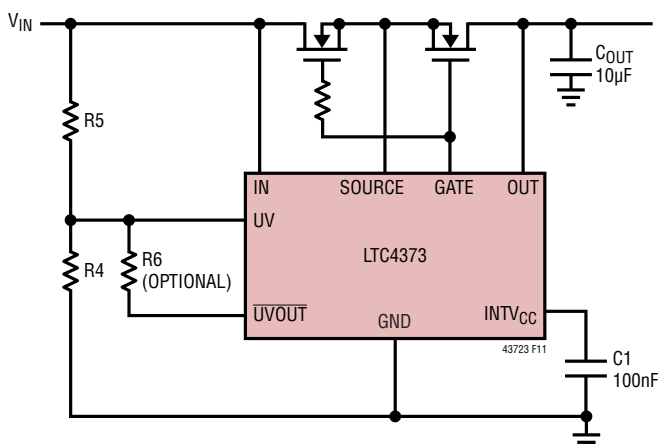


Figure 11. Configuration for Monitoring IN

Obtain R4 and R5 from Equation 5 and calculate R6 using Equation 6.

$$V_{H2L} = V_{UV} \cdot \frac{R4 + R5}{R4} \quad (6)$$

$$V_{L2H} = V_{UV} \cdot \frac{R5 + Rpa}{Rpa}$$

$$\text{where } Rpa = R4 // R6 = \frac{R4 \cdot R6}{R4 + R6}$$

As long as the external hysteresis to be implemented exceeds 5% of  $V_{H2L}$ , Equation 6 can disregard the default UV hysteresis without affecting accuracy.

With  $\overline{UVOUT}$  connected to the resistive voltage divider, the leakage current error needs to be re-visited. For the  $\overline{UVOUT}$  pin, the maximum input leakage current below  $85^\circ\text{C}$  is  $50\text{nA}$ . While IN ramps high to low, the resistive voltage divider sees the leakage currents from both UV and  $\overline{UVOUT}$ . This gives a total of  $100\text{nA}$  of leakage currents. With  $5\mu\text{A}$  through R4 and R5, this will add 2% inaccuracy to  $V_{H2L}$ . While IN ramps low to high,  $\overline{UVOUT}$  is pulled low. The resistive voltage divider sees only the  $50\text{nA}$  of leakage current from UV. With  $5\mu\text{A}$  through R4 and R5, this will add 1% inaccuracy to  $V_{L2H}$ . To lower the leakage current error, increase  $I_{RVD}$ .

### Layout Considerations

Connect IN, SOURCE and OUT as close as possible to the MOSFET source and drain pins. Keep the drain and source traces to the MOSFET wide and short to minimize resistive losses as shown in Figure 12. Place  $C_{OUT}$  close to the drain pin of MOSFET and keep the trace from LTC4372/LTC4373 GATE pin to MOSFET gate short and thin to minimize parasitic inductance and capacitance. This practice will reduce the chance of MOSFET parasitic oscillations. Place any surge suppressors and necessary transient protection components close to the LTC4372/LTC4373 using short lead lengths.

For the DFN package, pin spacing may be a concern at voltages greater than  $30\text{V}$ . Check creepage and clearance guidelines to determine if this is an issue. To increase the effective pin spacing between high voltage and ground pins, leave the exposed pad connection open. Use no-clean flux to minimize PCB contamination.

## APPLICATIONS INFORMATION

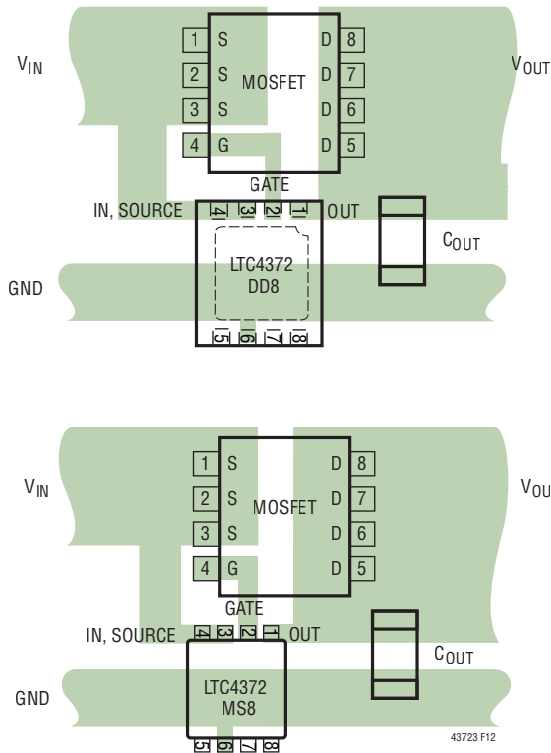


Figure 12. Layout, MS8 and DD8 Package

### Design Examples

The following design example demonstrates the considerations involved in selecting components for a 12V system with 20A maximum load current (see Figure 2). First, choose the N-channel MOSFET. The 80V BSC026N08NS5 with  $R_{DS(ON)} = 2.6m\Omega(max)$  offers a good solution. The maximum voltage drop across is:

$$\Delta V_{SD} = 20A \cdot 2.6m\Omega = 52mV$$

The maximum power dissipation in the MOSFET is:

$$P = 20A \cdot 52mV = 1.04W$$

During input short-circuit voltage transients, using the GND – GATE clamp to hold GATE should keep IN, SOURCE, GATE and OUT within their Absolute Maximum Ratings. If there is a problem with SOURCE to GND shoot through current during input short-circuits, add a  $R_{GND}$  of 100 $\Omega$ .

Figure 13 shows a high voltage application. For the 48V system, using the GND – GATE clamp to hold GATE during input short-circuit voltage transients can exceed IN – OUT's –100V absolute maximum voltage. D2 is added between IN

and ground to clamp IN and SOURCE when they spike negative. During the input short-circuit transient, D2 diverts the reverse recovery current in the input parasitic inductances to ground while  $C_{OUT}$  does the same for the output parasitic inductances. The 100V, FDMS86101 with  $R_{DS(ON)} = 8m\Omega(max)$  can handle both the 5A load current as well as the input short-circuit voltage transients.

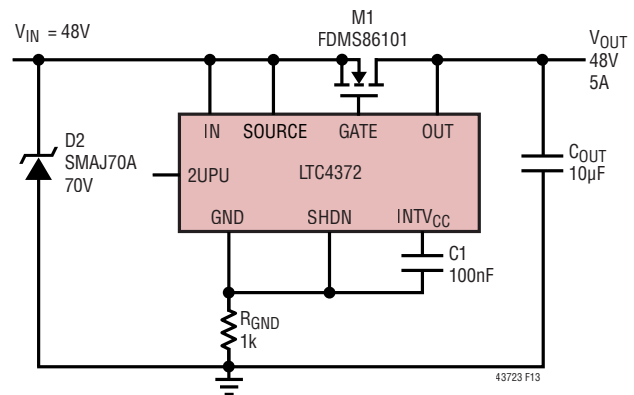


Figure 13. 48V Ideal Diode without Reverse Input Protection

Figure 14 shows a high voltage application with reverse battery protection. To handle a potential worst-case situation of –48V at the input side and 48V at the output side, the  $BV_{DSS}$  of the external MOSFET must be greater than  $48V + 48V = 96V$  with allowance. Choose the 200V, IPB107N20N3G in the TO-263 package with  $R_{DS(ON)} = 10.7m\Omega(max)$ .

When IN is –48V and OUTPUT is 48V, D3 breaks down and clamps IN – GND at about –6V. The MOSFET is held off and isolates the load from the negative input. D1 and R7 clamps OUT – GND to about 70V. The combination of D1, D2, D3 and R7 clamps IN – OUT to about 76V.

During an input short-circuit, M1 drain spikes positive and IN spikes negative. D2, D3 and D4 commutates the reverse recovery current in the input parasitic inductances while  $C_{OUT}$  does the same for the output parasitic inductances. D1, D2, D3, D4, R7 and R8 clamp IN, SOURCE, OUT and GND to within their Absolute Maximum Ratings.

During normal ideal diode operation with GATE high, D4, C3 and C4 help to handle  $I_Q$  pulsating between 300 $\mu A$  (charging GATE) and 3.5 $\mu A$  (charge pump sleep mode) while D1, D2 and D3 draw no current.



## APPLICATIONS INFORMATION

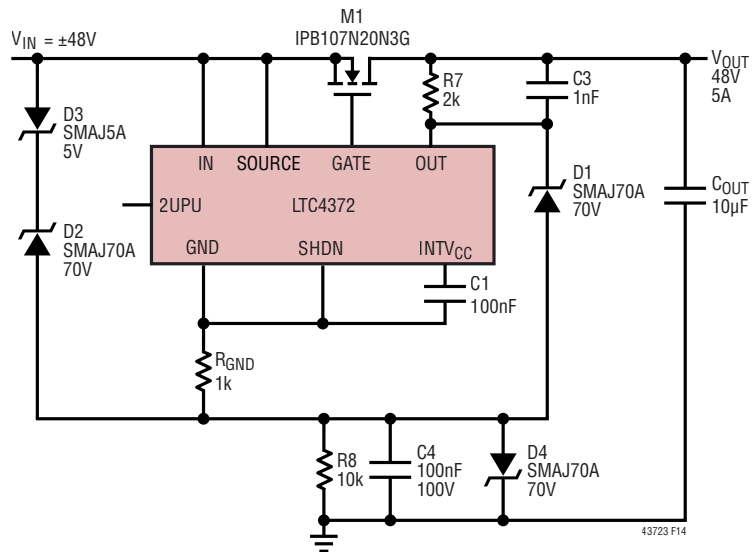
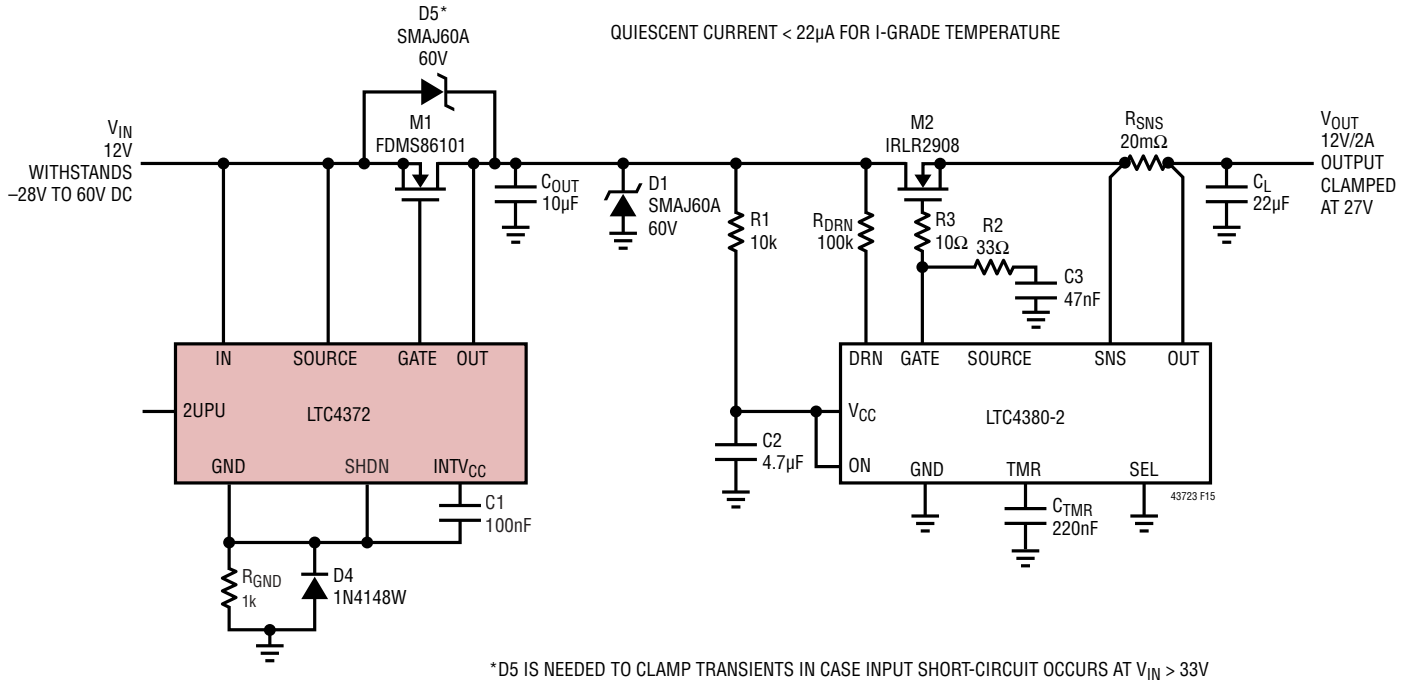
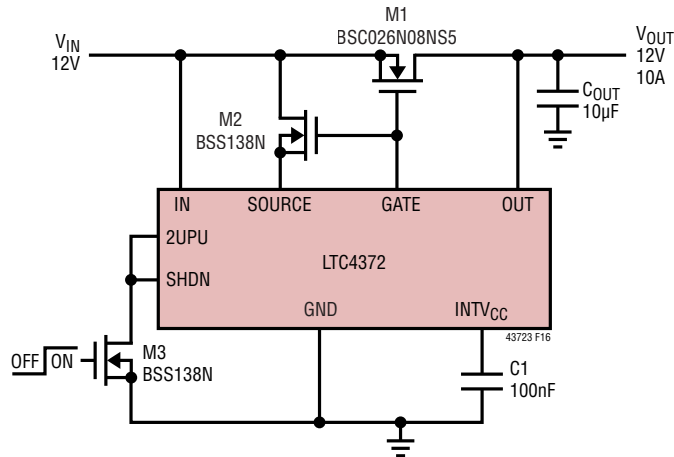


Figure 14. 48V Ideal Diode with Reverse Input Protection

## APPLICATIONS INFORMATION



**Figure 15. Micropower 12V Surge Stopper with Ideal Diode**



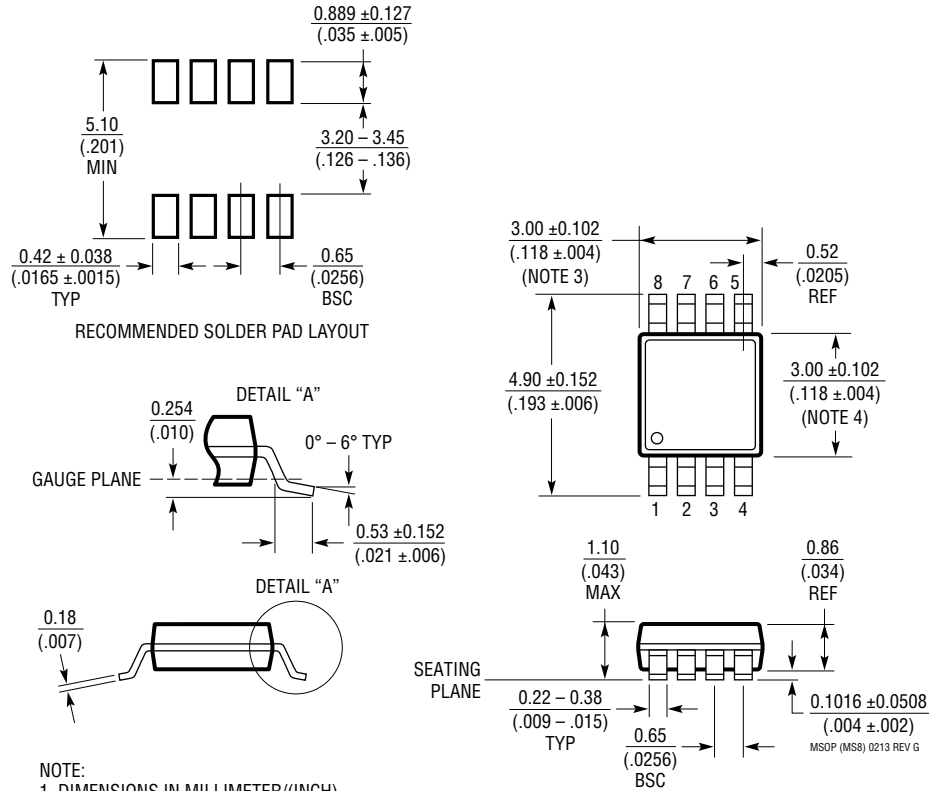
**Figure 16. 12V Ideal Diode with Shutdown  $I_{CC}$  of 0.5μA (Nominal)**



## PACKAGE DESCRIPTION

### MS8 Package 8-Lead Plastic MSOP

(Reference LTC DWG # 05-08-1660 Rev G)



**NOTE:**

1. DIMENSIONS IN MILLIMETER/(INCH)
2. DRAWING NOT TO SCALE
3. DIMENSION DOES NOT INCLUDE MOLD FLASH, PROTRUSIONS OR GATE BURRS.  
MOLD FLASH, PROTRUSIONS OR GATE BURRS SHALL NOT EXCEED 0.152mm (.006") PER SIDE
4. DIMENSION DOES NOT INCLUDE INTERLEAD FLASH OR PROTRUSIONS.  
INTERLEAD FLASH OR PROTRUSIONS SHALL NOT EXCEED 0.152mm (.006") PER SIDE
5. LEAD COPLANARITY (BOTTOM OF LEADS AFTER FORMING) SHALL BE 0.102mm (.004") MAX

## REVISION HISTORY

REV	DATE	DESCRIPTION	PAGE NUMBER
A	12/21	Revised bullets and SHDN pin description.	1
		Revised Paralleling Supplies section.	13
		Revised Equations 5 and 6.	15
		Added new application.	18

## TYPICAL APPLICATION

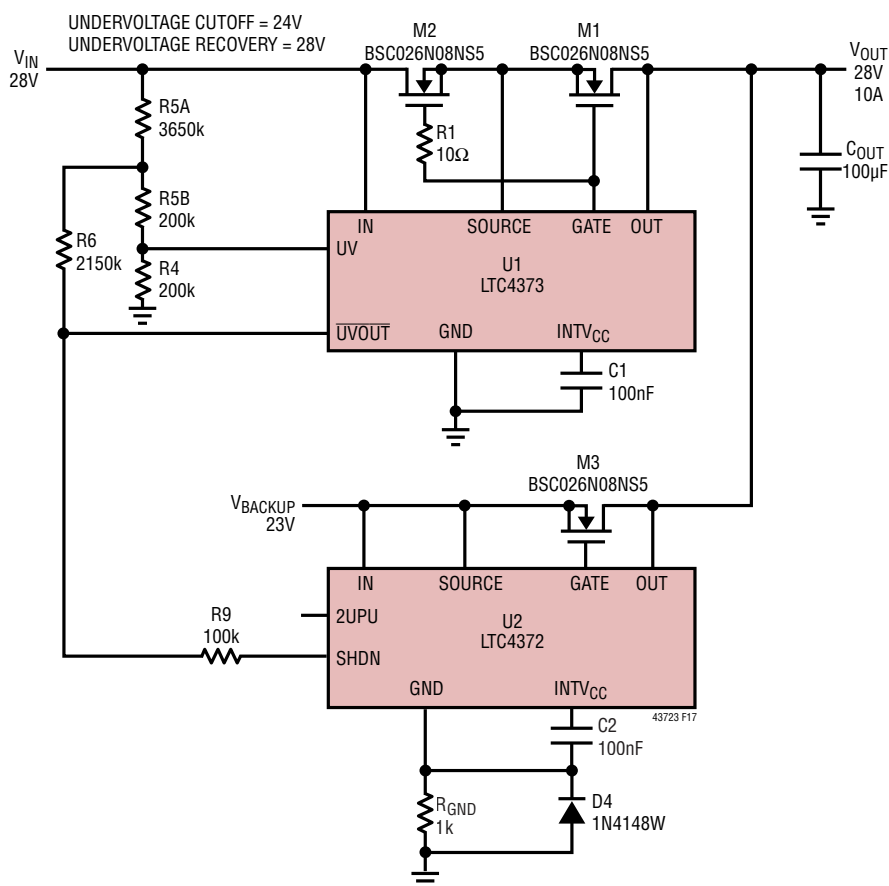


Figure 17. 28V Supply with Voltage Monitoring and Backup Channel

## RELATED PARTS

PART NUMBER	DESCRIPTION	COMMENTS
<a href="#">LTC4352</a>	Ideal Diode Controller	Controls N-Channel MOSFET, 0V to 18V Operation
<a href="#">LTC4353</a>	Dual Ideal Diode Controller	Controls Two N-Channel MOSFETs, 0V to 18V Operation
<a href="#">LTC4355</a>	High Voltage Diode-OR Controller and Monitor	Controls Two N-Channel MOSFETs, 0.4µs Turn-Off, 80V Operation
<a href="#">LTC4357</a>	High Voltage Ideal Diode Controller	Controls N-Channel MOSFET, 0.5µs Turn-Off, 80V Operation
<a href="#">LTC4358</a>	5A Ideal Diode	Internal N-Channel MOSFET, 9V to 26.5V Operation
<a href="#">LTC4359</a>	Ideal Diode Controller with Reverse Input Protection	Controls N-Channel MOSFET, 4V to 80V Operation, -40V Reverse Input
<a href="#">LTC4364</a>	Surge Stopper with Ideal Diode	4V to 80V Operation, -40V Reverse Input, -20V Reverse Output
<a href="#">LTC4371</a>	Dual Negative Voltage Ideal Diode-OR Controller and Monitor	Controls Two MOSFETs, 220ns Turn-Off, Withstands > ±300V Transients
<a href="#">LTC4376</a>	7A Ideal Diode with Reverse Input Protection	Internal N-Channel MOSFET, 4V to 40V Operation, -40V Reverse Input

## X-ON Electronics

Largest Supplier of Electrical and Electronic Components

*Click to view similar products for [Power Management IC Development Tools](#) category:*

*Click to view products by [Analog Devices](#) manufacturer:*

Other Similar products are found below :

[EVAL-ADM1168LQEBZ](#) [EVB-EP5348UI](#) [MIC23451-AAAYFL EV](#) [MIC5281YMME EV](#) [DA9063-EVAL](#) [ADP122-3.3-EVALZ](#) [ADP130-0.8-EVALZ](#) [ADP130-1.2-EVALZ](#) [ADP130-1.5-EVALZ](#) [ADP130-1.8-EVALZ](#) [ADP1714-3.3-EVALZ](#) [ADP1716-2.5-EVALZ](#) [ADP1740-1.5-EVALZ](#) [ADP1752-1.5-EVALZ](#) [ADP1828LC-EVALZ](#) [ADP1870-0.3-EVALZ](#) [ADP1871-0.6-EVALZ](#) [ADP1873-0.6-EVALZ](#) [ADP1874-0.3-EVALZ](#) [ADP1882-1.0-EVALZ](#) [ADP199CB-EVALZ](#) [ADP2102-1.25-EVALZ](#) [ADP2102-1.875EVALZ](#) [ADP2102-1.8-EVALZ](#) [ADP2102-2-EVALZ](#) [ADP2102-3-EVALZ](#) [ADP2102-4-EVALZ](#) [ADP2106-1.8-EVALZ](#) [ADP2147CB-110EVALZ](#) [AS3606-DB](#) [BQ24010EVM](#) [BQ24075TEVM](#) [BQ24155EVM](#) [BQ24157EVM-697](#) [BQ24160EVM-742](#) [BQ24296MEVM-655](#) [BQ25010EVM](#) [BQ3055EVM](#) [NCV891330PD50GEVB](#) [ISLUSBI2CKIT1Z](#) [LM2744EVAL](#) [LM2854EVAL](#) [LM3658SD-AEV/NOPB](#) [LM3658SDEV/NOPB](#) [LM3691TL-1.8EV/NOPB](#) [LM4510SDEV/NOPB](#) [LM5033SD-EVAL](#) [LP38512TS-1.8EV](#) [EVAL-ADM1186-1MBZ](#) [EVAL-ADM1186-2MBZ](#)