

QUICK START GUIDE FOR DEMONSTRATION CIRCUIT DC954

LOW DISTORTION, LOW NOISE DIFFERENTIAL AMPLIFIER / ADC DRIVER

LT6402-6/-12/-20


DESCRIPTION

Demonstration circuit 954 features the LT6402 Differential Amplifier and ADC Driver. It incorporates a variety of passive components to support configurations for varied applications. Single-ended or differential input and output configurations are possible, and there is a calibration circuit to null out the effects of other circuit components. **DC954A-A contains the LT6402-6, DC954A-B contains the LT6402-12, and DC954A-C contains the LT6402-20.**

The LT6402 is a high-speed differential amplifier with superior distortion and noise performance, perfect for demanding communications transceiver applications and

other high-speed mixed signal applications. The LT6402 accepts single-ended or differential inputs with almost no difference in distortion performance. Another standout feature of the LT6402 is the ability to independently adjust the output common-mode voltage, which allows output level shifting without any additional components. See the LT6402 datasheet for more information.

Design files for this circuit board are available. Call the LTC factory.

 , LTC and LT are registered trademarks of Linear Technology Corporation.

QUICK START PROCEDURE

Table 1 shows the function of each SMA connector on the board. Refer to Figure 1 for the connection diagram and follow the procedure below:

1. Connect the power supply as shown. The power labels of VCC, EN, and GND directly correspond to the VCC, EN, and VEE pins of the LT6402, respectively. Voltages other than +5V may be used as long as the voltage between VCC and GND is between 4.5V and 5.5V. Switch SW1 enables or shuts down the LT6402; to enable the part externally, see the Enable (Shutdown) section of this Quick Start Guide.
2. For network analyzer use, calibrate out board and transformer effects using J6 and J7. There is a 1:1 impedance transfer from J6 to J7, so external termination may be necessary for a 50Ω match.
3. Apply an input signal to J2. A low-distortion, low noise signal source with an external high-order filter will yield the best performance.
NOTE: DC954's input is impedance-matched to 50Ω. No external termination is necessary.
4. Observe the output via J5. By default, the unfiltered outputs of the LT6402 are used. The output is impedance-matched to 50Ω, suitable for the input of a network or spectrum analyzer.

Table 1: DC954 SMA Connector Descriptions

CONNECTOR	FUNCTION
J1 (-IN)	Differential Input. Connected to GND through resistor R2 by default. Resistor can be removed to drive the DC954 differentially.
J2 (+IN)	Differential Input. Use this connector to supply an input to the DC954. Drive from a 50ohm signal source, no external termination necessary.
J3 (VOCM)	Output Common-Mode Pin. By default, 0.44•VCC is supplied to this pin by a 14k resistor and an 11k resistor. Override this voltage with any low-impedance DC voltage source.
J4 (-OUT)	Differential Output. Connected to GND through 0Ω resistor R14 by default. Resistor can be removed for differential output drive.
J5 (+OUT)	Differential Output. Resistively impedance-matched to 50 ohms, can be used to drive a 50ohm network analyzer input.
J6 (TEST IN)	Calibration network input. Use with network analyzer to calibrate out effects of board trace parasitics, transformers, and SMA connectors.
J7 (TEST OUT)	Calibration network output.

QUICK START GUIDE FOR DEMONSTRATION CIRCUIT DC954

LOW DISTORTION, LOW NOISE DIFFERENTIAL AMPLIFIER / ADC DRIVER

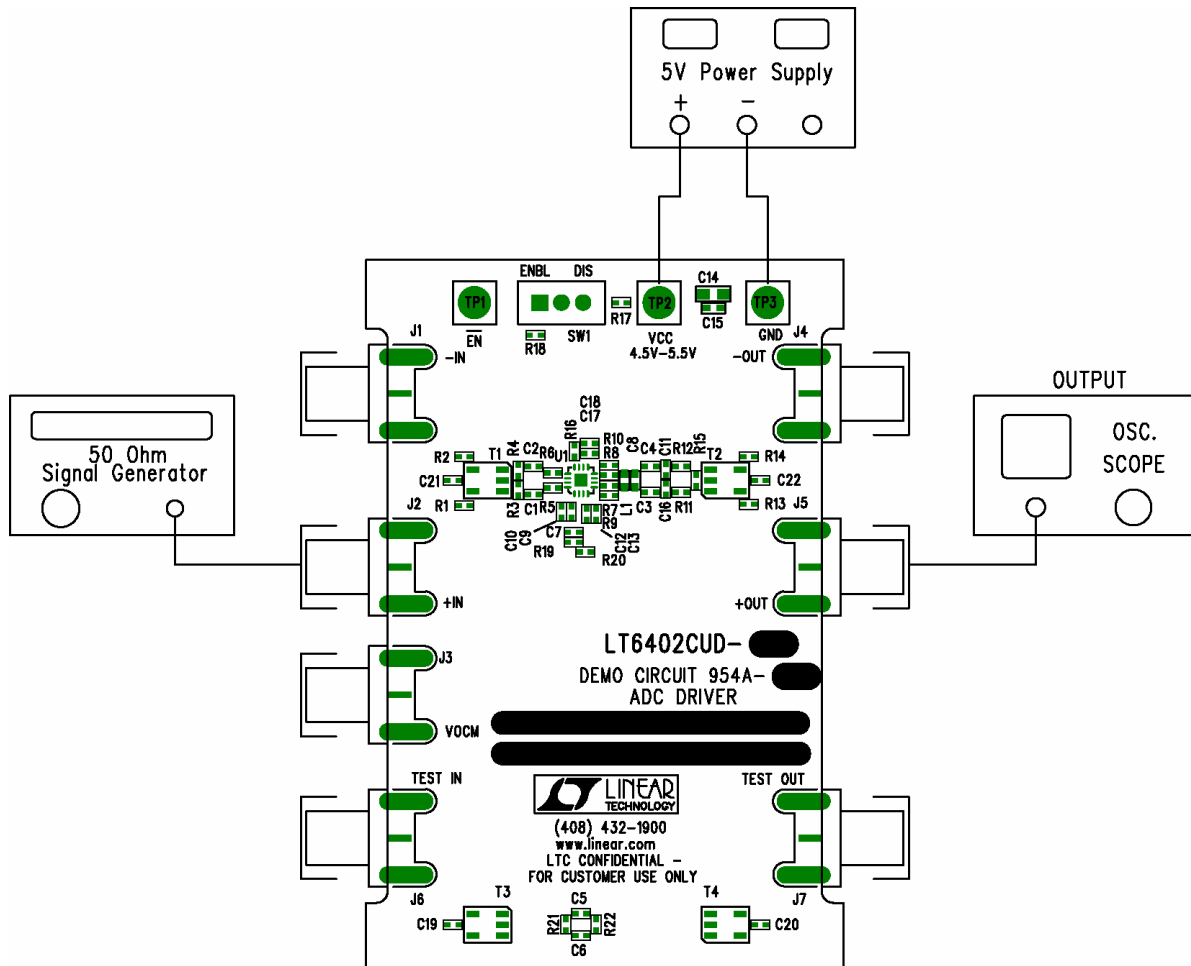


Figure 1. Proper Measurement Equipment Setup

ADDITIONAL INFORMATION

Although the DC954 demo board is ready to use out of the box (See “Quick Start Procedure” above), it has features that you can access by adding, removing or changing components on the board. Here are some ways that you can change the configuration to take advantage of these features.

DIFFERENTIAL INPUTS

To drive the inputs differentially, remove resistor R2. J1 and J2 can now be driven differentially from a 50Ω signal source. The input to the DC954 will still be matched to 50Ω (differential) when driven in this manner.

DRIVING THE INPUTS WITH DC COUPLING

It is possible to drive the DC954 inputs differentially with DC coupling. Capacitors C1 and C2 should be shorted or replaced with 0Ω resistors. As a warning, the low input impedance of the LT6402 can cause large input bias currents if DC954 is driven DC coupled. Since transformer T1 is a transmission-line transformer, DC voltages (and currents) will propagate through. Removing T1 would delete the simple impedance transformation, but free up space to place extra components on T1’s pads. See the LT6402 datasheet for additional information about DC coupling and input bias currents.

QUICK START GUIDE FOR DEMONSTRATION CIRCUIT DC954

LOW DISTORTION, LOW NOISE DIFFERENTIAL AMPLIFIER / ADC DRIVER

DIFFERENTIAL OUTPUTS

To use both the outputs of the DC954, remove resistor R14. The output now appears differentially across J4 and J5. The output of the DC954 will still be matched to 50 Ω (differential) when used in this manner.

CHANGING THE OUTPUT COMMON-MODE VOLTAGE

Driving connector J3 controls the output common-mode voltage of DC954. This function can be used to level-shift the DC output voltage for optimum system performance. However, if used for this purpose, AC-coupling capacitors C3 and C4 should be shorted or replaced by 0 Ω resistors to allow the DC bias to reach the output. Transformer T2 is a transmission-line type, which means DC voltages will couple from input to output of the transformer.

DISCRETE OUTPUT FILTERING

DC954 provides some additional component pads for building discrete output filters. In addition to the internal output low-pass filters built into the LT6402, a simple LC bandpass filter can be placed on pads L1 and C8 to filter a narrow-band signal. Other types of discrete filters can be built by replacing components on the output of the LT6402: R7-R15, C3-C4, C11, C16, and T2. For best performance, care must be taken to maintain proper impedance matching on the DC954 output. Also, since the output of the LT6402 is a low-impedance operational amplifier output, performance will degrade when the output is directly driving low impedances such as 50 Ω . See the LT6402 datasheet for more information.

ENABLE (SHUTDOWN)

To drive the EN function of the LT6402 with an external voltage source, switch S1 must be disabled by removing resistors R17 and R18. The LT6402 will now be controlled via the EN pin. To enable the part, pull the pin low to within 0.8V of the GND pin on the DC954.

NOTE: The output common-mode bias resistors R19 and R20 draw current from VCC to GND, and must be accounted for when measuring the current of the LT6402 in shutdown.

GROUND AND VCC CONNECTIONS

DC954's GND connector is not only connected to VEE of the LT6402, it also serves as the board ground. For best performance, a low-impedance return path to the power supply from GND is crucial. Short, low impedance wires to the VCC and GND connectors of DC954 will yield the best performance from the LT6402.

CABLES AND CONNECTORS

Long BNC or SMA cables are transmission lines, and for best circuit performance should be kept as short as possible. BNC or SMA cables or barrels should be characterized (or nulled out through calibration) for good high-frequency performance.

Connectors also fall under the category of circuit elements, and must be of good quality and well characterized to ensure predictable results.

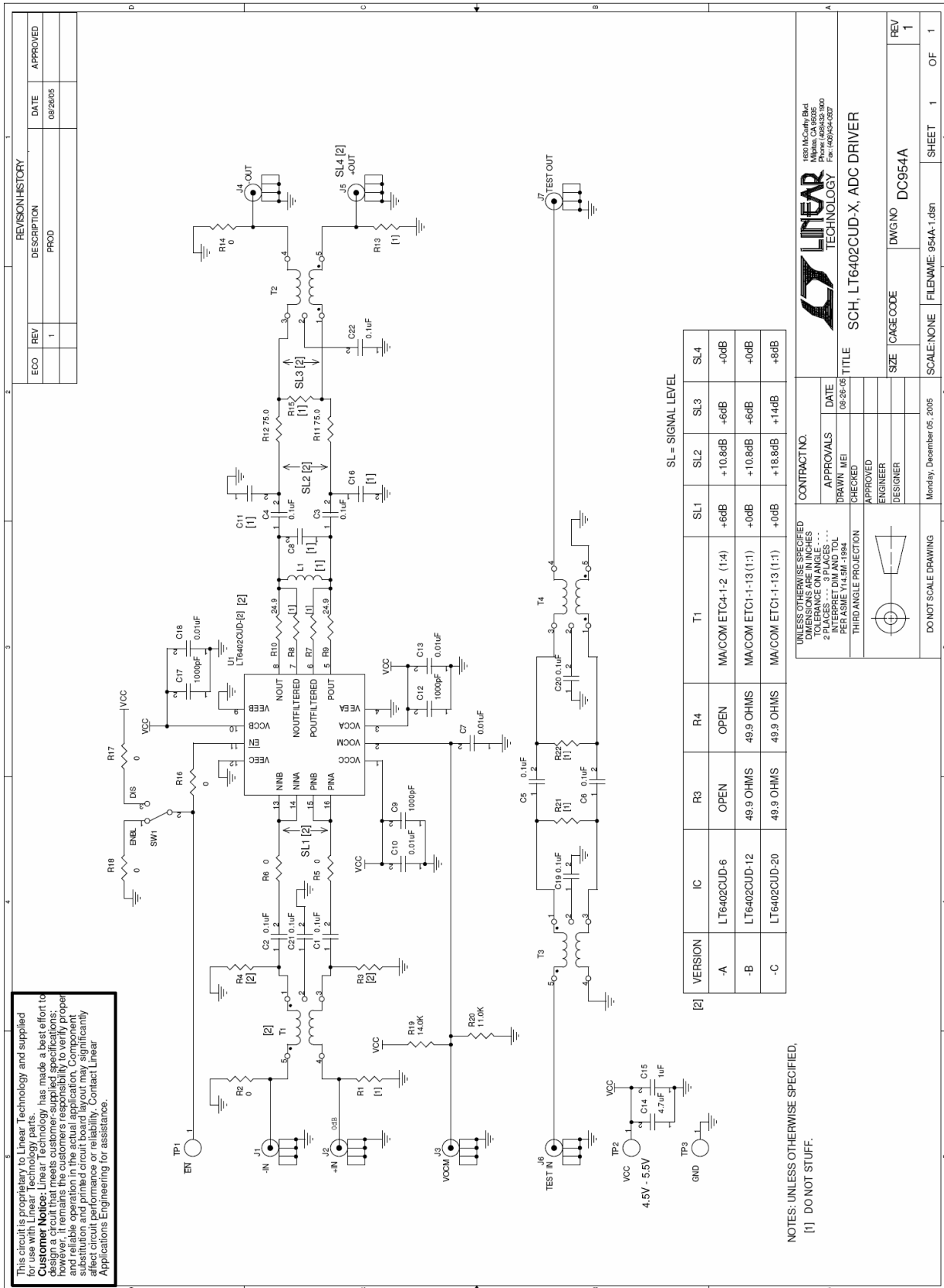
SCHEMATIC NOTES

The schematic included at the end of this Quick Start Guide includes approximate signal levels seen at various points along DC954's signal chain. The signal levels shown (SL1-SL4) assume that the signal level at the input(s) is 0dB, and that there is a 50 Ω load at the output(s), from an oscilloscope, analyzer, or another circuit component. If the output load is a high-impedance load, the signal levels at SL2-SL4 will vary from the schematic.

The calibration circuit, as shown in the schematic, contains two extra resistors R21-R22. These resistors are included for added circuit flexibility, as well as for RF scattering parameter calibration purposes.

QUICK START GUIDE FOR DEMONSTRATION CIRCUIT DC954

LOW DISTORTION, LOW NOISE DIFFERENTIAL AMPLIFIER / ADC DRIVER



This circuit is proprietary to Linear Technology and supplied for use with Linear Technology parts.
Customer Notice: Linear Technology has made a best effort to design a circuit that meets customer-supplied specifications; however, Linear Technology does not warrant the circuit's operation and reliable operation in the actual application. Component substitution and printed circuit board layout may significantly affect circuit performance or reliability. Contact Linear Applications Engineering for assistance.

X-ON Electronics

Largest Supplier of Electrical and Electronic Components

Click to view similar products for [Amplifier IC Development Tools](#) category:

Click to view products by [Analog Devices](#) manufacturer:

Other Similar products are found below :

[EVAL-ADCMP566BCPZ](#) [EVAL-ADCMP606BKSZ](#) [AD8013AR-14-EBZ](#) [AD8033AKS-EBZ](#) [AD8044AR-EBZ](#) [AD8225-EVALZ](#)
[ADA4859-3ACP-EBZ](#) [ADA4862-3YR-EBZ](#) [DEM-OPA-SO-2B](#) [AD744JR-EBZ](#) [AD8023AR-EBZ](#) [AD8030ARJ-EBZ](#) [AD8040ARU-EBZ](#)
[AD8073JR-EBZ](#) [AD813AR-14-EBZ](#) [AD848JR-EBZ](#) [ADA4858-3ACP-EBZ](#) [ADA4922-1ACP-EBZ](#) [551600075-001/NOPB](#) [DEM-OPA-SO-](#)
[2E](#) [THS7374EVM](#) [EVAL-ADCMP553BRMZ](#) [EVAL-ADCMP608BKSZ](#) [MIOP 42109](#) [EVAL-ADCMP609BRMZ](#) [MAX9928EVKIT+](#)
[MAX9636EVKIT+](#) [MAX9611EVKIT](#) [MAX9937EVKIT+](#) [MAX9934TEVKIT+](#) [MAX44290EVKIT#](#) [MAX2644EVKIT](#) [MAX4073EVKIT+](#)
[DEM-OPA-SO-2C](#) [MAX2643EVKIT](#) [ISL28158EVAL1Z](#) [MAX40003EVKIT#](#) [MAX2473EVKIT](#) [MAX2472EVKIT](#) [MAX4223EVKIT](#)
[MAX9700BEVKIT](#) [MADL-011014-001SMB](#) [DC1685A](#) [DEM-OPA-SO-2D](#) [MAX2670EVKIT#](#) [DEM-OPA-SO-1E](#) [AD8137YCP-EBZ](#)
[EVAL-ADA4523-1ARMZ](#) [MAX44242EVKIT#](#) [EVAL-LT5401_32FDAZ](#)