

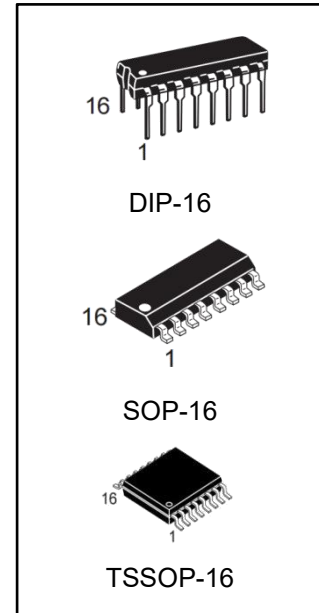
DS34C87 CMOS Quad TRI-STATE[®] Differential Line Driver

General Description

The DS34C87 is a quad differential line driver designed for digital data transmission over balanced lines. The DS34C87 meets all the requirements of EIA standard RS-422 while retaining the low power characteristics of CMOS. This enables the construction of serial and terminal interfaces while maintaining minimal power consumption.

The DS34C87 accepts TTL or CMOS input levels and translates these to RS-422 output levels. This part uses special output circuitry that enables the individual drivers to power down without loading down the bus. The DS34C87 also includes special power up and down circuitry which will TRI-STATE the outputs during power up or down, preventing spurious glitches on its outputs. This device has separate enable circuitry for each pair of the four drivers. The DS34C87 is pin compatible to the DS3487.

All inputs are protected against damage due to electrostatic discharge by diodes to Vcc and ground.



Features

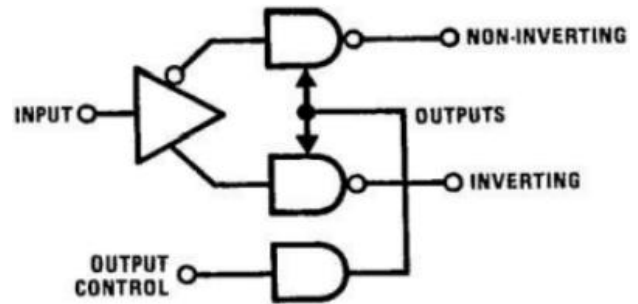
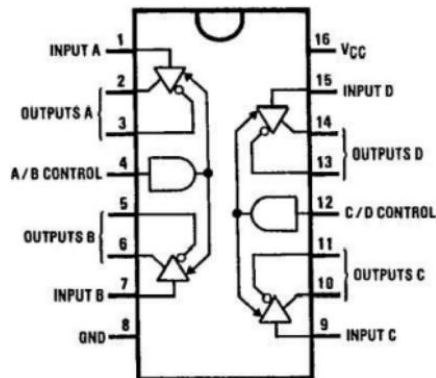
- TTL input compatible.
- Typical propagation delays: 8 ns.
- Typical output skew: 0.5 ns.
- Outputs won't load line when Vcc = 0V.
- Meets the requirements of EIA standard RS-422.
- Operation from single 5V supply.
- TRI-STATE outputs for connection to system buses.
- Low quiescent current.

Ordering Information

DEVICE	Package Type	MARKING	Packing	Packing Qty
DS34C87PG	DIP-16	DS34C87	TUBE	1000pcs/box
DS34C87DRG	SOP-16	DS34C87	REEL	2500pcs/reel
DS34C87PWRG	TSSOP-16	34C87	REEL	2500pcs/reel

Connection and Logic Diagrams

DIP-16/SOP-16/TSSOP-16



Truth Table

INPUT	CONTROL INPUT	NON-INVERTING OUTPUT	INVERTING OUTPUT
H	H	H	L
L	H	L	H
X	L	Z	Z

L=Low logic state

H= High logic state

X=Irrelevant

Z= TRI-STATE(high impedance)

Absolute Maximum Ratings (Notes1&2)

PARAMETER	LIMITS
Supply Voltage (V_{CC})	-0.5 to 7.0V
DC Voltage (V_{IN})	-1.5V to $V_{CC}+1.5V$
DC Output Voltage (V_{OUT})	-0.5V to 7V
Clamp Diode Current(I_{IK}, I_{OK})	± 20 mA
DC Output Current, Per Pin(I_{OUT})	± 150 mA
DC V_{CC} OR GND Current (I_{CC})	± 150 mA
Storage Temperature Range(T_{STG})	-65°C to +150°C
Power Dissipation(note3)(P_O)	500 mW
lead temperature(T_L)(soldering 10 sec)	245°C

Operating Conditions

	MIN	MAX	UNITS
Supply Voltage(V_{CC})	4.50	5.50	V
DC Input or Output Voltage(V_{in} V_{out})	0	V_{CC}	V
Operating Temperature Range (t_A)	-40	+85	°C
Input Rise Or Fall Times (t_r, t_f)		500	ns

DC Electrical Characteristics $V_{CC} = 5V \pm 10\%$ (Unless Otherwise Specified) (Note4)

SYMBOL	PARAMETER	CONDITIONS	MIN	TYP	MAX	UNITS
V_{IH}	High Level Input Voltage		2.0			V
V_{IL}	Low Level Input Voltage				0.8	V
V_{OH}	High Level Output Voltage	$V_{IN} = V_{IH}$ OR V_{IL} , $I_{OUT} = -20$ MA	2.5			V
V_{OL}	Low Level Output Voltage	$V_{IN} = V_I$ OR V_L $I_{OUT} = 48$ MA			0.5	V
V_T	Differential Output Voltage	$R_L = 100\Omega$ (NOTE 5)	2.0			V
$ V_{T1} - V_{T2} $	Difference In Differential Output	$R_L = 100\Omega$ (NOTE 5)			0.4	V
V_{OS}	Common Mode Output Voltage	$R_L = 100\Omega$ (NOTE 5)			3.0	V
$ V_{OS1} - V_{OS2} $	Difference In Common Mode Output	$R_L = 100\Omega$ (NOTE 5)			0.4	V
I_{IN}	Input Current	$V_{IN} = V_{CC}, GND, V_{IH},$ OR V_{IL}			± 10	μA
I_{CC}	Quiescent Supply Current	$I_{OUT} = 0\mu A$, $V_{IN} = V_{CC}$ OR GND $V_{IN} = 2.4V$ OR $0.5V$ (NOTE 6)		200 0.8		μA MA
I_{OZ}	Tri-State Output Leakage Current	$V_{OUT} = V_{CC}$ OR GND CONTROL = V_{IL}		± 0.5	± 0.5	μA
I_{SC}	Output Short Circuit Current	$V_{IN} = V_{CC}$ OR GND (NOTE 7)	-30		-150	MA
I_{DFF}	Output Leakage Current Power Off	$V_{CC} = 0V$			100 -100	μA μA

Note1: Absolute Maximum Ratings indicate limits beyond which damage to the device may occur. Operating Ratings indicate conditions for which the device is intended to be functional, but specific performance is not ensured.

Note 2: Unless otherwise specified, all voltages are referenced to ground. All currents into device pins are positive; all currents out of device pins are negative.

Note3: Power Dissipation Temperature Derating "N" Package: -12 mW/ $^{\circ}C$ From $65^{\circ}C$ To $85^{\circ}C$.

"M" Package: -12 mW/ $^{\circ}C$ From $100^{\circ}C$ To $125^{\circ}C$.

Note4: Unless Otherwise Specified Min/Max Limits Apply Across The $-40^{\circ}C$ To $85^{\circ}C$ Temperature Range. All Typicals Are Given For $V_{CC} = 5V$ And $T_a = 25^{\circ}C$.

Note 5: See EIA Specification RS-422 For Exact Test Conditions.

Note 6: Measured per input. All other inputs at v_{cc} or gnd .

Note 7: Only one output at a time should be shorted.

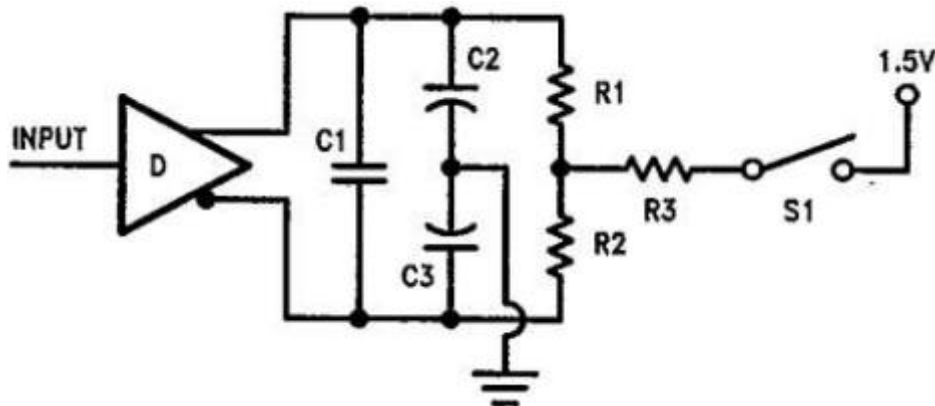
Switching Characteristics $V_{CC}=5V\pm 10\%$, $t_r = t_f = 6ns$ (Figures 1, 2, 3, and 4) (Note 4)

SYMBOL	PARAMETER	CONDITIONS	MIN	TYP	MAX	UNITS
T_{PLH}, T_{PHL}	Propagation delay input to output	S1 Open		8		ns
SKEW	(note 8)	S1 Open		0.5		ns
T_{TLH}, T_{THL}	Differential output rise and fall times	S1 Open		8		ns
T_{PZH}	Output enable time	S1 Closed		13		ns
T_{PZL}	Output enable time	S1 Closed		15		ns
T_{PHZ}	Output disable time (note9)	S1 Closed		9		ns
T_{PLZ}	Output disable time (note9)	S1 Closed		10		ns
C_{PD}	Power dissipation capacitance (note 10)			100		pF
C_{IN}	Input capacitance			10		pF

Note 8:Skew is defined as the difference in propagation delays between complementary outputs at the 50% point.

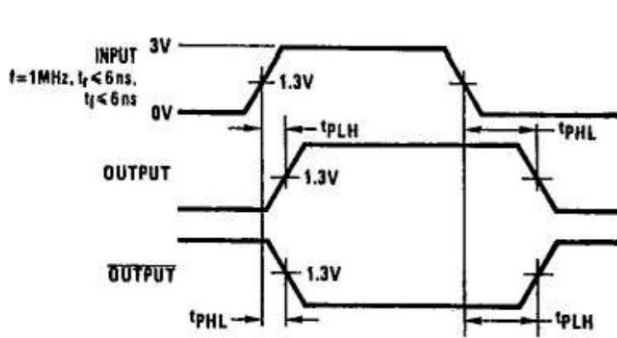
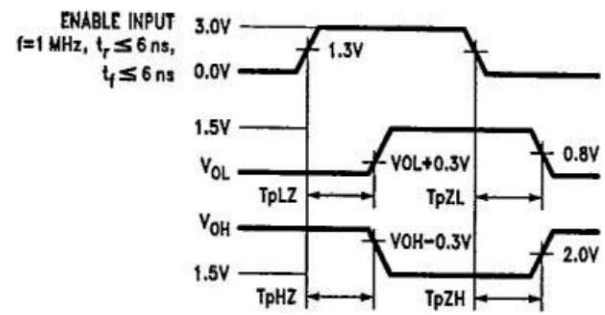
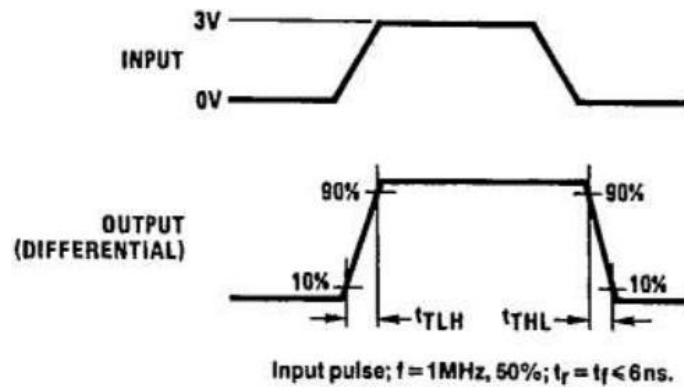
Note9:Output disable time is the delay from ENABLE or $\overline{ENAB\bar{E}}$ being switched to the output transistors turning off. The actual disable times are less than indicated due to the delay added by the RC time constant of the load.

Note 10: C_{pd} determines the no load dynamic power consumption, $P_{DC} = C_{PD} V^2 ccf + I_{cc} V_{CC}$ and the no load dynamic current consumption, $I_s = C_{pd} V_{CC} ccf + I_{cc}$.

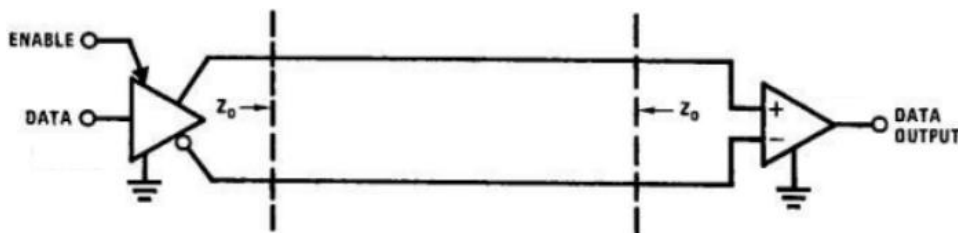
AC Test Circuit and Switching Time Waveforms


Note: $C1=C2=C3=40pF, R1=R2=50N, R3=5000\Omega$

FIGURE 1.AC Test Circuit

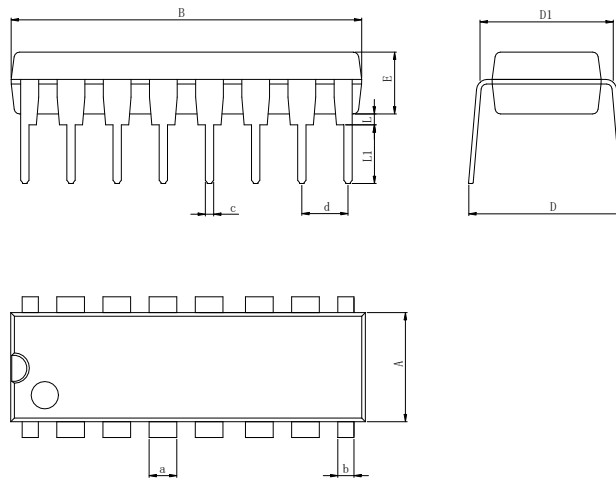
AC Test Circuit and Switching Time Waveforms (Continued)

FIGURE 2. Propagation Delays

FIGURE 3. Enable and Disable Times

FIGURE 4. Differential Rise and Fall Times
Typical Applications

Two-Wire Balanced System, RS-422



Physical Dimensions

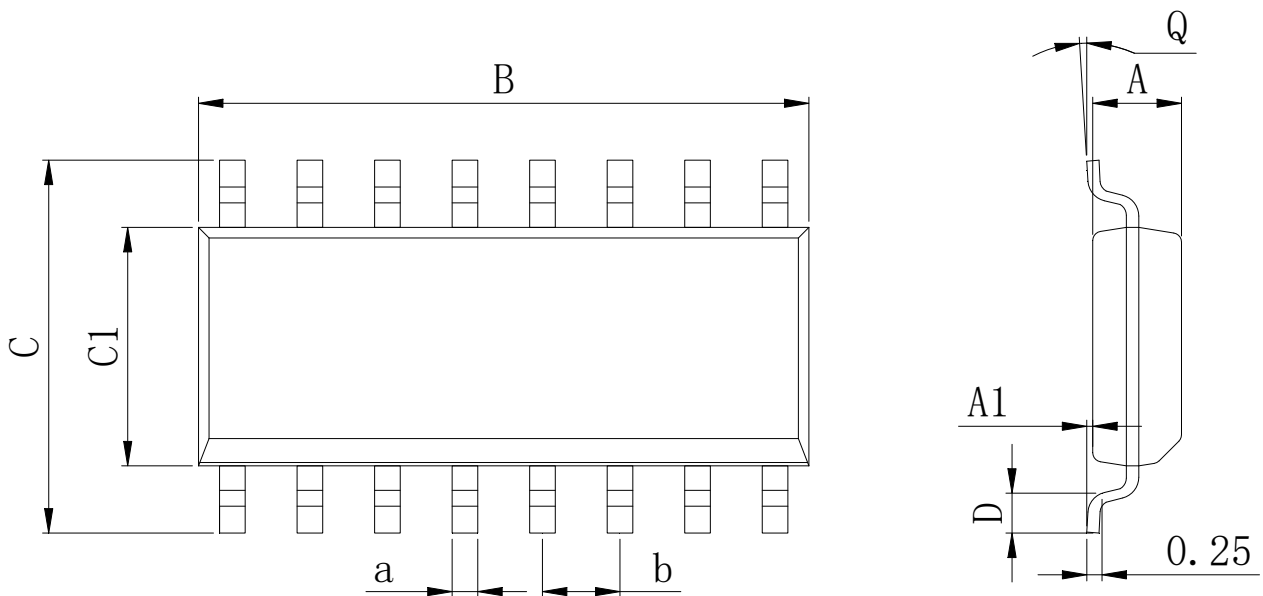
DIP-16



Dimensions In Millimeters(DIP-16)

Symbol:	A	B	D	D1	E	L	L1	a	b	c	d
Min:	6.10	18.94	8.10	7.42	3.10	0.50	3.00	1.50	0.85	0.40	2.54 BSC
Max:	6.68	19.56	10.9	7.82	3.55	0.70	3.60	1.55	0.90	0.50	

SOP-16

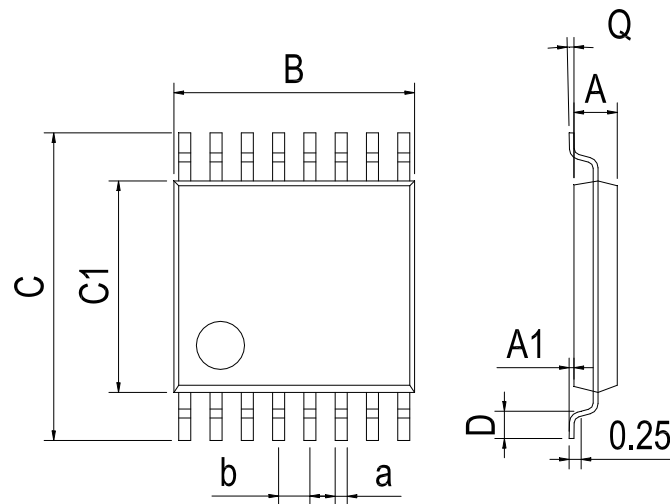


Dimensions In Millimeters(SOP-16)

Symbol:	A	A1	B	C	C1	D	Q	a	b
Min:	1.35	0.05	9.80	5.80	3.80	0.40	0°	0.35	1.27 BSC
Max:	1.55	0.20	10.0	6.20	4.00	0.80	8°	0.45	

Physical Dimensions

TSSOP-16


Dimensions In Millimeters(TSSOP-16)

Symbol:	A	A1	B	C	C1	D	Q	a	b
Min:	0.85	0.05	4.90	6.20	4.30	0.40	0°	0.20	0.65 BSC
Max:	0.95	0.20	5.10	6.60	4.50	0.80	8°	0.25	

Revision History

DATE	REVISION	PAGE
2017-1-9	New	1-9
2023-9-18	Modify the package dimension diagram TSSOP-16、 Update encapsulation type 、 Update Lead Temperature 、 Updated DIP-16 dimension 、 Add annotation for Maximum Ratings.	1、 2、 6、 8

IMPORTANT STATEMENT:

Hanschip Semiconductor reserves the right to change its products and services without notice. Before ordering, the customer shall obtain the latest relevant information and verify whether the information is up to date and complete. Hanschip Semiconductor does not assume any responsibility or obligation for the altered documents.

Customers are responsible for complying with safety standards and taking safety measures when using Hanschip Semiconductor products for system design and machine manufacturing. You will bear all the following responsibilities: select the appropriate Hanschip Semiconductor products for your application; Design, validate and test your application; Ensure that your application meets the appropriate standards and any other safety, security or other requirements. To avoid the occurrence of potential risks that may lead to personal injury or property loss.

Hanschip Semiconductor products have not been approved for applications in life support, military, aerospace and other fields, and Hanschip Semiconductor will not bear the consequences caused by the application of products in these fields. All problems, responsibilities and losses arising from the user's use beyond the applicable area of the product shall be borne by the user and have nothing to do with Hanschip Semiconductor, and the user shall not claim any compensation liability against Hanschip Semiconductor by the terms of this Agreement.

The technical and reliability data (including data sheets), design resources (including reference designs), application or other design suggestions, network tools, safety information and other resources provided for the performance of semiconductor products produced by Hanschip Semiconductor are not guaranteed to be free from defects and no warranty, express or implied, is made. The use of testing and other quality control technologies is limited to the quality assurance scope of Hanschip Semiconductor. Not all parameters of each device need to be tested.

The documentation of Hanschip Semiconductor authorizes you to use these resources only for developing the application of the product described in this document. You have no right to use any other Hanschip Semiconductor intellectual property rights or any third party intellectual property rights. It is strictly forbidden to make other copies or displays of these resources. You should fully compensate Hanschip Semiconductor and its agents for any claims, damages, costs, losses and debts caused by the use of these resources. Hanschip Semiconductor accepts no liability for any loss or damage caused by infringement.

X-ON Electronics

Largest Supplier of Electrical and Electronic Components

Click to view similar products for [RS-422/RS-485 Interface IC](#) category:

Click to view products by [Analog Devices](#) manufacturer:

Other Similar products are found below :

[SP3494CN-L/TR](#) [ISL4486IBZ-T](#) [ISL4491EIB](#) [ISL4491EIBZ-T](#) [ISL81483IB](#) [ISL83086EIB](#) [ISL83088EIB](#) [ISL83488IB](#) [ISL8483EIB](#)
[ISL8487EIB](#) [ISL8489EIB](#) [ISL8491IP](#) [ADM489AN](#) [CA-IS3080WX](#) [CA-IS3086WX](#) [NSi83085E-DSWR](#) [SIT65HVD75ETK](#) [GM13487E](#)
[LTC2855IGN#TRPBF](#) [CS48520M](#) [CA-IF4820FD](#) [HSN65HVD12DR](#) [UM3088EESA](#) [SIT490EEPA](#) [ISOW1412BDFMR](#) [MAX485MJA/883B](#)
[MAX13089ECSD+T](#) [CA-IF4888HS](#) [CS485M](#) [CLM3085ESA+](#) [CLM485ESA+](#) [CLM485EESA+](#) [CLM3085EESA+](#) [CS4585EO](#) [DW3085](#)
[WS3471EEUA](#) [WS3079](#) [MS2583](#) [H485EIMM/TR](#) [SP3485EN-HXY](#) [SP3483EN-HXY](#) [ST3485EBDR-HXY](#) [MAX1487ESA-HXY](#)
[MAX3483ESA-HXY](#) [MAX487ESA-HXY](#) [SP485EN-HXY](#) [SN75LBC184DR-HXY](#) [MAX485EESA-HXY](#) [SN65LBC184N-HXY](#) [SN75176N-](#)
[HXY](#)