

### FEATURES

- Two (ADE7912) or three (ADE7913) isolated,  $\Sigma$ - $\Delta$  analog-to-digital converters (simultaneously sampling ADCs)
- Integrated *isoPower*, isolated dc-to-dc converter
- On-chip temperature sensor
- 4-wire SPI serial interface
- Up to 4 ADE7912/ADE7913 devices clocked from a single crystal or an external clock
- Synchronization of multiple ADE7912/ADE7913 devices
- $\pm 31.25$  mV peak input range for current channel
- $\pm 500$  mV peak input range for voltage channels
- Reference drift: 10 ppm/ $^{\circ}$ C typical
- Single 3.3 V supply
- 20-lead, wide-body SOIC package with 8.3 mm creepage
- Operating temperature:  $-40^{\circ}$ C to  $+85^{\circ}$ C
- Safety and regulatory approvals**
  - UL recognition
  - 5000 V rms for 1 minute per UL 1577
  - CSA Component Acceptance Notice 5A
  - IEC 61010-1: 300 V rms
  - VDE certificate of conformity
  - DIN VDE V 0884-10 (VDE V 0884-10):2006-12
  - $V_{IORM} = 846$  V peak

### APPLICATIONS

- Shunt-based polyphase meters
- Power quality monitoring
- Solar inverters
- Process monitoring
- Protective devices
- Isolated sensor interfaces
- Industrial PLCs

### GENERAL DESCRIPTION

The ADE7912/ADE7913<sup>1</sup> are isolated, 3-channel  $\Sigma$ - $\Delta$  ADCs for polyphase energy metering applications using shunt current sensors. Data and power isolation are based on the Analog Devices, Inc., *iCoupler*<sup>®</sup> technology. The ADE7912 features two ADCs, and the ADE7913 features three ADCs. The current ADC provides a 67 dB signal-to-noise ratio (SNR) over a 3 kHz signal bandwidth, whereas the voltage ADCs provide an SNR of 72 dB over the same bandwidth. One channel is dedicated to measuring the voltage

<sup>1</sup> Protected by U.S. Patents 5,952,849; 6,873,065; 7,075,329; 6,262,600; 7,489,526; 7,558,080; 8,892,933. Other patents are pending.

Rev. C [Document Feedback](#)  
 Information furnished by Analog Devices is believed to be accurate and reliable. However, no responsibility is assumed by Analog Devices for its use, nor for any infringements of patents or other rights of third parties that may result from its use. Specifications subject to change without notice. No license is granted by implication or otherwise under any patent or patent rights of Analog Devices. Trademarks and registered trademarks are the property of their respective owners.

### TYPICAL APPLICATIONS CIRCUIT

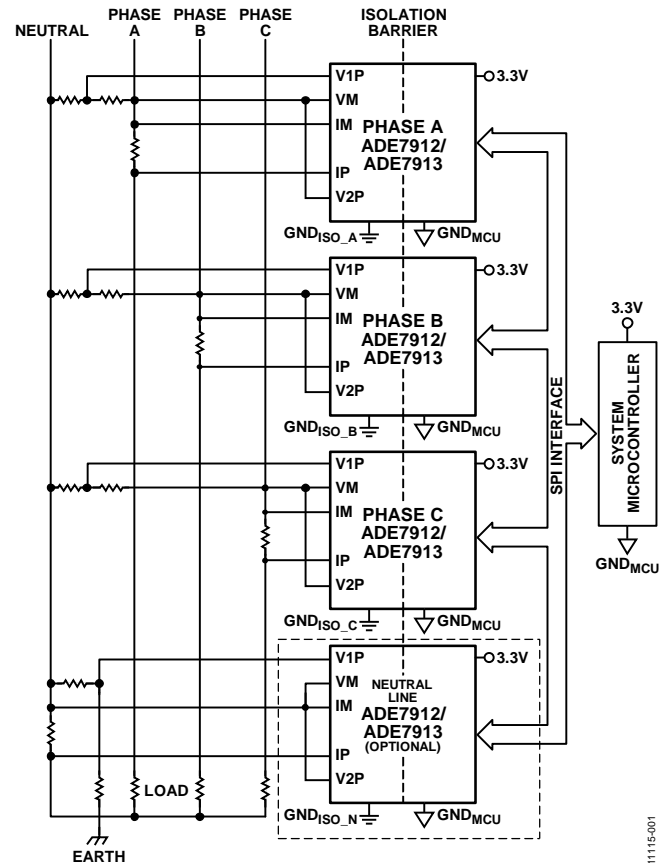


Figure 1.

across a shunt when the shunt is used for current sensing. Up to two additional channels are dedicated to measuring voltages, which are usually sensed using resistor dividers. One voltage channel can measure the temperature of the die via an internal sensor. The ADE7913 includes three channels: one current and two voltage channels. The ADE7912 has one voltage channel but is otherwise identical to the ADE7913.

**TABLE OF CONTENTS**

Features ..... 1

Applications..... 1

Typical Applications Circuit..... 1

General Description ..... 1

Revision History ..... 2

Functional Block Diagrams..... 4

Specifications..... 5

    Regulatory Approvals..... 7

    Insulation and Safety Related Specifications ..... 7

    DIN V VDE V 0884-10 (VDE V 0884-10):2006-12 Insulation Characteristics ..... 8

    Timing Characteristics ..... 9

Absolute Maximum Ratings..... 10

    Thermal Resistance ..... 10

    ESD Caution..... 10

Pin Configuration and Function Descriptions..... 11

Typical Performance Characteristics ..... 13

Test Circuit ..... 15

Terminology ..... 16

Theory of Operation ..... 18

    Analog Inputs..... 18

    Analog-to-Digital Conversion..... 18

    Reference Circuit..... 20

    CRC of ADC Output Values ..... 20

**REVISION HISTORY**

**2/2018—Rev. B to Rev. C**

Changes to Table 2..... 7

**8/2016—Rev. A to Rev. B**

Added Patent Note, Note 1..... 1

Change to Table 9 ..... 11

Change to Figure 12 ..... 13

Changes to DC-to-DC Converter Section ..... 31

**4/2015—Rev. 0 to Rev. A**

Changes to Features Section and General Description Section..... 1

Changes Table 1 ..... 5

Changed Regulatory Approvals (Pending) Section to Regulatory Approvals Section..... 7

Changes to Regulatory Approvals Section, Table 2, and Tracking Resistance (Comparative Tracking Index) Parameter, Table 3..... 7

Changed DIN V VDE V 0884-10 (VDE V 0884-10) Insulation Characteristics Section to DIN V VDE V 0884-10 (VDE V 0884-10):2006-12 Insulation Characteristics Section..... 8

Changes to Table 4 and Figure 4..... 8

Temperature Sensor ..... 21

Protecting the Integrity of Configuration Registers ..... 21

CRC of Configuration Registers..... 21

ADE7912/ADE7913 Status ..... 22

Insulation Lifetime ..... 22

Applications Information ..... 23

    ADE7912/ADE7913 in Polyphase Energy Meters..... 23

    ADE7912/ADE7913 Clock ..... 25

    SPI-Compatible Interface..... 26

    Synchronizing Multiple ADE7912/ADE7913 Devices..... 28

Power Management..... 31

    DC-to-DC Converter..... 31

    Magnetic Field Immunity..... 32

    Power-Up and Initialization Procedures..... 33

    Hardware Reset..... 36

    Software Reset..... 36

    Power-Down Mode ..... 36

Layout Guidelines..... 37

    ADE7913 Evaluation Board..... 37

    ADE7912/ADE7913 Version ..... 37

Register List ..... 38

Outline Dimensions ..... 41

    Ordering Guide ..... 41

Changes to Table 8..... 10

Changes to Pin 15 Description, Table 9..... 11

Changes to Figure 9 and Figure 11..... 13

Changes to Terminology Section ..... 16

Changes to ADC Transfer Function Section and CRC of ADC Output Values Section ..... 20

Changes to Temperature Sensor Section..... 21

Changes to Insulation Lifetime Section ..... 22

Deleted Figure 31; Renumbered Sequentially ..... 22

Changes to SPI-Compatible Interface Section ..... 26

Changes to SPI Read Operation in Burst Mode Section..... 27

Changes to Power-Down Mode Section ..... 36

Changes to Layout Guidelines Section ..... 37

Deleted Figure 54..... 37

Deleted Figure 55 and Figure 56 ..... 38

Deleted Figure 57 and Figure 58 ..... 39

Deleted Figure 59 and Figure 60 ..... 40

**11/2013—Revision 0: Initial Version**

The ADE7912/ADE7913 include *isoPower*®, an integrated, isolated dc-to-dc converter. Based on the Analog Devices *iCoupler* technology, the dc-to-dc converter provides the regulated power required by the first stage of the ADCs at a 3.3 V input supply. *isoPower* eliminates the need for an external dc-to-dc isolation block. The *iCoupler* chip scale transformer technology also isolates the logic signals between the first and second stages of the ADC. The result is a small form factor, total isolation solution.

The ADE7912/ADE7913 configuration and status registers are accessed via a bidirectional SPI serial port for easy interfacing with microcontrollers.

The ADE7912/ADE7913 can be clocked from a crystal or an external clock signal. To minimize the system bill of materials, the master ADE7912/ADE7913 can drive the clocks of up to three additional ADE7912/ADE7913 devices.

Multiple ADE7912/ADE7913 devices can be synchronized to sample at the same moment and provide coherent outputs.

The ADE7912/ADE7913 are available in a 20-lead, Pb-free, wide-body SOIC package with 8.3 mm creepage.

FUNCTIONAL BLOCK DIAGRAMS

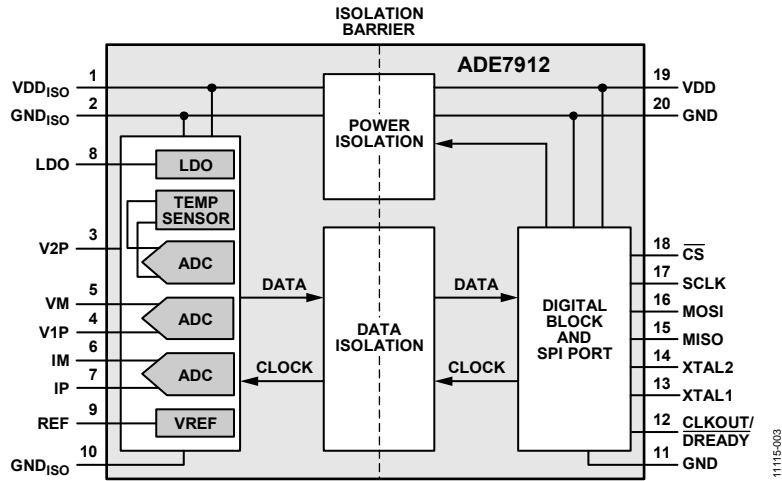


Figure 2. ADE7912 Functional Block Diagram

11115-003

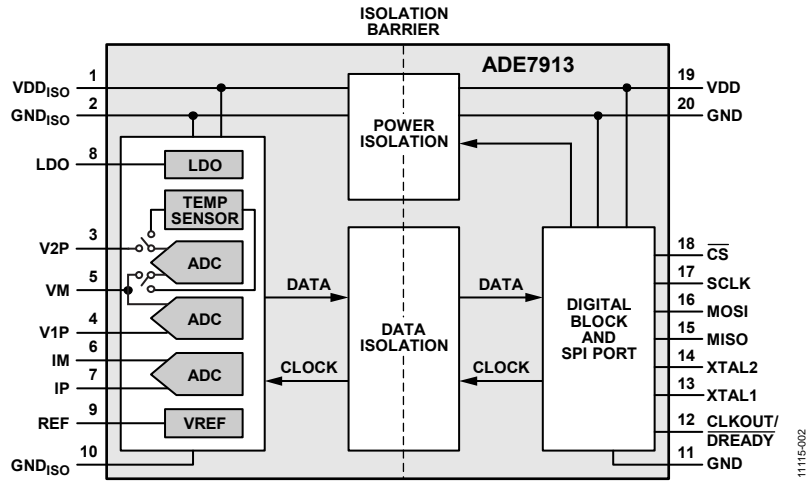


Figure 3. ADE7913 Functional Block Diagram

11115-002

## SPECIFICATIONS

VDD = 3.3 V ± 10%, GND = 0 V, on-chip reference, XTAL1 = 4.096 MHz, T<sub>MIN</sub> to T<sub>MAX</sub> = -40°C to +85°C, T<sub>A</sub> = 25°C (typical).

Table 1.

| Parameter  | Min    | Typ  | Max    | Unit     | Test Conditions/Comments  |
|--|--------|------|--------|----------|---|
| <b>ANALOG INPUTS<sup>1</sup></b>   |        |      |        |          |   |
| Pseudo Differential Signal Voltage Range<br>Between IP and IM Pins                                 | -31.25 |      | +31.25 | mV peak  | IM pin connected to GND <sub>ISO</sub>  |
| Pseudo Differential Signal Voltage Range<br>Between V1P and VM Pins and Between<br>V2P and VM Pins | -500   |      | +500   | mV peak  | Pseudo differential inputs between V1P and VM<br>pins and between V2P and VM pins; VM pin<br>connected to GND <sub>ISO</sub>  |
| Maximum VM and IM Voltage<br>Crosstalk   | -25    | -90  | +25    | mV<br>dB | IP and IM inputs set to 0 V (GND <sub>ISO</sub> ) when V1P and<br>V2P inputs at full scale  |
|  |        | -105 |        | dB       | V2P and VM inputs set to 0 V (GND <sub>ISO</sub> ) when IP<br>and V1P inputs at full scale; V1P and VM inputs<br>set to 0 V (GND <sub>ISO</sub> ) when IP and V2P inputs at full<br>scale |
| Input Impedance to GND <sub>ISO</sub> (DC)<br>IP, IM, V1P, and V2P Pins                            | 480    |      |        | kΩ       |   |
| VM Pin   | 240    |      |        | kΩ       |   |
| Current Channel ADC Offset Error   |        | -2   |        | mV       |   |
| Voltage Channels ADC Offset Error  |        | -35  |        | mV       | V2 channel applies to the ADE7913 only  |
| ADC Offset Drift over Temperature  |        | ±200 |        | ppm/°C   | V1 channel only   |
| Gain Error   | -4     |      | +4     | %        |   |
| Gain Drift over Temperature  | -135   |      | +135   | ppm/°C   | Current channel   |
|  | -85    |      | +85    | ppm/°C   | V1 and V2 channels  |
| AC Power Supply Rejection (PSR)  |        | -90  |        | dB       | VDD = 3.3 V + 120 mV rms (50 Hz/100 Hz),<br>IP = V1P = V2P = GND <sub>ISO</sub>   |
| DC Power Supply Rejection (PSR)  |        | -80  |        | dB       | VDD = 3.3 V ± 330 mV dc, IP = 6.25 mV rms, V1P =<br>V2P = 100 mV rms  |
| <b>TEMPERATURE SENSOR</b>  |        |      |        |          |   |
| Accuracy   |        | ±5   |        | °C       |   |
| <b>WAVEFORM SAMPLING—CURRENT CHANNEL<sup>1</sup></b>   |        |      |        |          |   |
| Signal-to-Noise Ratio (SNR)  |        | 67   |        | dBFS     | ADC_FREQ = 8 kHz, BW = 3300 Hz  |
|  |        | 68   |        | dBFS     | ADC_FREQ = 8 kHz, BW = 2000 Hz  |
|  |        | 72   |        | dBFS     | ADC_FREQ = 2 kHz, BW = 825 Hz   |
|  |        | 74   |        | dBFS     | ADC_FREQ = 2 kHz, BW = 500 Hz   |
| Signal-to-Noise-and-Distortion Ratio (SINAD)   |        | 66   |        | dBFS     | ADC_FREQ = 8 kHz, BW = 3300 Hz  |
|  |        | 68   |        | dBFS     | ADC_FREQ = 8 kHz, BW = 2000 Hz  |
|  |        | 72   |        | dBFS     | ADC_FREQ = 2 kHz, BW = 825 Hz   |
|  |        | 73   |        | dBFS     | ADC_FREQ = 2 kHz, BW = 500 Hz   |
| Total Harmonic Distortion (THD)  |        | -79  |        | dBFS     | ADC_FREQ = 8 kHz, BW = 3300 Hz  |
|  |        | -78  |        | dBFS     | ADC_FREQ = 8 kHz, BW = 2000 Hz  |
|  |        | -82  |        | dBFS     | ADC_FREQ = 2 kHz, BW = 825 Hz   |
|  |        | -82  |        | dBFS     | ADC_FREQ = 2 kHz, BW = 500 Hz   |
| Spurious-Free Dynamic Range (SFDR)   |        | 83   |        | dBFS     | ADC_FREQ = 8 kHz, BW = 3300 Hz  |
|  |        | 83   |        | dBFS     | ADC_FREQ = 8 kHz, BW = 2000 Hz  |
|  |        | 85   |        | dBFS     | ADC_FREQ = 2 kHz, BW = 825 Hz   |
|  |        | 85   |        | dBFS     | ADC_FREQ = 2 kHz, BW = 500 Hz   |
| <b>VOLTAGE CHANNELS<sup>1</sup></b>  |        |      |        |          |   |
| Signal-to-Noise Ratio (SNR)  |        | 72   |        | dBFS     | ADC_FREQ = 8 kHz, BW = 3300 Hz  |
|  |        | 74   |        | dBFS     | ADC_FREQ = 8 kHz, BW = 2000 Hz  |
|  |        | 77   |        | dBFS     | ADC_FREQ = 2 kHz, BW = 825 Hz   |
|  |        | 79   |        | dBFS     | ADC_FREQ = 2 kHz, BW = 500 Hz   |

| Parameter                                    | Min  | Typ   | Max  | Unit | Test Conditions/Comments   |
|--|------|-------|------|------|--|
| Signal-to-Noise-and-Distortion Ratio (SINAD) |      | 72    |      | dBFS | ADC_FREQ = 8 kHz, BW = 3300 Hz   |
|  |      | 74    |      | dBFS | ADC_FREQ = 8 kHz, BW = 2000 Hz   |
|  |      | 77    |      | dBFS | ADC_FREQ = 2 kHz, BW = 825 Hz  |
|  |      | 78    |      | dBFS | ADC_FREQ = 2 kHz, BW = 500 Hz  |
| Total Harmonic Distortion (THD)              |      | -83   |      | dBFS | ADC_FREQ = 8 kHz, BW = 3300 Hz   |
|  |      | -83   |      | dBFS | ADC_FREQ = 8 kHz, BW = 2000 Hz   |
|  |      | -85   |      | dBFS | ADC_FREQ = 2 kHz, BW = 825 Hz  |
|  |      | -85   |      | dBFS | ADC_FREQ = 2 kHz, BW = 500 Hz  |
| Spurious-Free Dynamic Range (SFDR)           |      | 86    |      | dBFS | ADC_FREQ = 8 kHz, BW = 3300 Hz   |
|  |      | 86    |      | dBFS | ADC_FREQ = 8 kHz, BW = 2000 Hz   |
|  |      | 87    |      | dBFS | ADC_FREQ = 2 kHz, BW = 825 Hz  |
|  |      | 87    |      | dBFS | ADC_FREQ = 2 kHz, BW = 500 Hz  |
| CLKIN <sup>2</sup>                           |      |       |      |      | All specifications for CLKIN = 4.096 MHz                                       |
| Input Clock Frequency, CLKIN                 | 3.6  | 4.096 | 4.21 | MHz  |  |
| CLKIN Duty Cycle                             | 45   | 50    | 55   | %    |  |
| XTAL1 Logic Inputs                           |      |       |      |      |  |
| Input High Voltage, V <sub>INH</sub>         | 2.4  |       |      | V    |  |
| Input Low Voltage, V <sub>INL</sub>          |      |       | 0.8  | V    |  |
| XTAL1 Total Capacitance <sup>3</sup>         |      | 40    |      | pF   |  |
| XTAL2 Total Capacitance <sup>3</sup>         |      | 40    |      | pF   |  |
| CLKOUT Delay from XTAL1 <sup>4</sup>         |      |       | 100  | ns   |  |
| LOGIC INPUTS—MOSI, SCLK, $\overline{CS}$     |      |       |      |      |  |
| Input High Voltage, V <sub>INH</sub>         | 2.4  |       |      | V    |  |
| Input Low Voltage, V <sub>INL</sub>          |      |       | 0.8  | V    |  |
| Input Current, I <sub>IN</sub>               |      | 0.015 | 1    | μA   |  |
| Input Capacitance, C <sub>IN</sub>           |      |       | 10   | pF   |  |
| LOGIC OUTPUTS—CLKOUT/DREADY AND MISO         |      |       |      |      |  |
| Output High Voltage, V <sub>OH</sub>         | 2.5  |       |      | V    | I <sub>SOURCE</sub> = 800 μA   |
| Output Low Voltage, V <sub>OL</sub>          |      |       | 0.4  | V    | I <sub>SINK</sub> = 2 mA   |
| POWER SUPPLY                                 |      |       |      |      | For specified performance  |
| VDD Pin                                      | 2.97 |       | 3.63 | V    | Minimum = 3.3 V – 10%; maximum = 3.3 V + 10%                                   |
| I <sub>DD</sub>                              |      | 12.5  | 19   | mA   | Bit 2 (PWRDWN_EN) in CONFIG register cleared to 0                              |
|  |      | 2.7   | 3    | mA   | Bit 2 (PWRDWN_EN) in CONFIG register set to 1                                  |
|  |      | 50    |      | μA   | Bit 2 (PWRDWN_EN) in CONFIG register set to 1 and no CLKIN signal at XTAL1 pin |

<sup>1</sup> See the Terminology section for a definition of the parameters.

<sup>2</sup> CLKIN is the internal clock of the ADE7912/ADE7913. It is the frequency at which the part is clocked at the XTAL1 pin.

<sup>3</sup> XTAL1/XTAL2 total capacitances refer to the net capacitances on each pin. Each capacitance is the sum of the parasitic capacitance at the pin and the capacitance of the ceramic capacitor connected between the pin and GND. See the ADE7912/ADE7913 Clock section for more details.

<sup>4</sup> CLKOUT delay from XTAL1 is the delay that occurs from a high to low transition at the XTAL1 pin to a synchronous high to low transition at the CLKOUT/DREADY pin when CLKOUT functionality is enabled.

## REGULATORY APPROVALS

The ADE7912/ADE7913 are approved by the organizations listed in Table 2. Refer to Table 8 and the Insulation Lifetime section for more information about the recommended maximum working voltages for specific cross-isolation waveforms and insulation levels.

Note that Table 8 presents the maximum working voltages for 50-year minimum lifetime: 400 V rms for ac voltages and 1173 V peak for dc voltages. Greater working voltages shorten the lifetime of the product (see the Insulation Lifetime section). Some certifications in Table 2 state greater maximum working voltages than the values presented in Table 8. Therefore, use the ADE7912/ADE7913 only for working voltages lower than those presented in Table 8 (400 V rms for ac voltages and 1173 V peak for dc voltages).

**Table 2. Regulatory Approvals**

| UL  | CSA  | VDE   |
|---|--|---|
| Recognized Under<br>UL 1577 Component<br>Recognition Program <sup>1</sup> | Basic insulation per CSA 60950-1-07+A1+A2, CSA 62368-1-14, and IEC 60950-1 2 <sup>nd</sup> Ed.+A1+A2 and IEC 62368-1:2014 2 <sup>nd</sup> Ed. (Pollution Degree 2, Material Group III): 830 V rms (1173 V peak) maximum working voltage. <sup>2</sup>  | Certified according to<br>DIN VDE V 0884-10 <sup>3</sup><br>(VDE V 0884-10):2006-12 |
| Single Protection,<br>5000 V rms Isolation<br>Voltage                     | Basic insulation per CSA 61010-1-12+A1 and IEC 61010-1 3 <sup>rd</sup> Ed. These devices meet clauses K.3, K.4, 6.7.1.3, 6.7.2.2.2 A.17, K.6x1.6, and K.7x1.6, 10. The risk management process is not applicable to these clauses (Pollution Degree 2, Material Group III, Overvoltage Category II, III, and IV): 600 V rms (424 V peak) maximum working voltage. <sup>4</sup>   | Reinforced insulation,<br>846 V peak <sup>5</sup>                                   |
| Approved under<br>CSA Component<br>Acceptance Notice 5A                   | Reinforced insulation per CSA 60950-1-07+A1+A2, CSA 62368-1-14, IEC 60950-1 2 <sup>nd</sup> Ed.+A1+A2, and IEC 62368-1:2014 Ed. 2 (Pollution Degree 2, Material Group III): 415 V rms (586 V peak) maximum working voltage.<br>Reinforced insulation per CSA 61010-1-12 and IEC 61010-1 3 <sup>rd</sup> Ed. based on IEC 61010-1 C1 14.1 a) for use in IEC 61010-1 end products because the ADE7912/ADE7913 meet the requirements of the IEC 62368-1 evaluation (Pollution Degree 2, Material Group III, and Overvoltage Category II and III): 300 V rms (424 V peak) maximum working voltage. |   |
| FILE E214100  | FILE 2758945   | FILE 2471900-4880-0001  |

<sup>1</sup> In accordance with UL 1577, each ADE7912/ADE7913 is proof tested by applying an insulation test voltage  $\geq 6000$  V rms for 1 second (current leakage detection limit = 15  $\mu$ A).

<sup>2</sup> At this maximum working voltage, the approximate predicted lifetime is 0.2 years under 50 Hz, 60 Hz ac voltages.

<sup>3</sup> In accordance with DIN VDE V 0884-10, each ADE7912/ADE7913 is proof tested by applying an insulation test voltage  $\geq 1590$  V peak for 1 second (partial discharge detection limit = 5 pC). The asterisk (\*) marking branded on the component designates DIN VDE V 0884-10 (VDE V 0884-10):2006-12 approval.

<sup>4</sup> At this maximum working voltage, the approximate predicted lifetime is 8 years under 50 Hz, 60 Hz ac voltages.

<sup>5</sup> At this maximum working voltage, the approximate predicted lifetime is 8 years under 50 Hz, 60 Hz ac voltages.

## INSULATION AND SAFETY RELATED SPECIFICATIONS

**Table 3. Critical Safety Related Dimensions and Material Properties**

| Parameter  | Symbol | Value     | Unit  | Test Conditions/Comments  |
|--|--------|-----------|-------|---|
| Rated Dielectric Insulation Voltage              |        | 5000      | V rms | 1-minute duration   |
| Minimum External Air Gap (Clearance)             | L(I01) | 8.3       | mm    | Distance measured from input terminals to output terminals, shortest distance through air along the PCB mounting plane, as an aid to PCB layout |
| Minimum External Tracking (Creepage)             | L(I02) | 8.3       | mm    | Measured from input terminals to output terminals, shortest distance path along body  |
| Minimum Internal Gap (Internal Clearance)        |        | 0.017 min | mm    | Insulation distance through insulation  |
| Tracking Resistance (Comparative Tracking Index) | CTI    | 400       | V     | IEC 60112   |
| Isolation Group                                  |        | II        |       | Material group (DIN VDE 0110, 1/89, Table 1)  |

**DIN V VDE V 0884-10 (VDE V 0884-10):2006-12 INSULATION CHARACTERISTICS**

The ADE7912/ADE7913 are suitable for reinforced electrical isolation only within the safety limit data. Maintenance of the safety data is ensured by the protective circuits.

**Table 4. VDE Characteristics**

| Description   | Test Conditions/Comments   | Symbol      | Characteristic                 | Unit   |
|---|--|-------------|--------------------------------|--------|
| Installation Classification per DIN VDE 0110<br>For Rated Mains Voltage ≤ 150 V rms<br>For Rated Mains Voltage ≤ 300 V rms<br>For Rated Mains Voltage ≤ 400 V rms |  |             | I to IV<br>I to IV<br>I to III |        |
| Climatic Classification   |  |             | 40/085/21                      |        |
| Pollution Degree per DIN VDE 0110, Table 1  |  |             | 2                              |        |
| Maximum Working Insulation Voltage  |  | $V_{IORM}$  | 846                            | V peak |
| Input-to-Output Test Voltage, Method B1   | $V_{IORM} \times 1.875 = V_{pd(m)}$ , 100% production test, $t_{ini} = t_m = 1$ sec, partial discharge < 5 pC                | $V_{pd(m)}$ | 1592                           | V peak |
| Input-to-Output Test Voltage, Method A  |  | $V_{pd(m)}$ |                                |        |
| After Environmental Tests Subgroup 1  | $V_{IORM} \times 1.5 = V_{pd(m)}$ , $t_{ini} = 60$ sec, $t_m = 10$ sec, partial discharge < 5 pC                             |             | 1273                           | V peak |
| After Input and/or Safety Tests Subgroup 2 and Subgroup 3   | $V_{IORM} \times 1.2 = V_{pd(m)}$ , $t_{ini} = 60$ sec, $t_m = 10$ sec, partial discharge < 5 pC                             |             | 1018                           | V peak |
| Highest Allowable Overvoltage   |  | $V_{IOTM}$  | 6000                           | V peak |
| Surge Isolation Voltage   |  | $V_{IOSM}$  | 6250                           | V peak |
| Safety Limiting Values  | $V_{PEAK} = 10$ kV, 1.2 μs rise time, 50 μs, 50% fall time<br>Maximum value allowed in the event of a failure (see Figure 4) |             |                                |        |
| Maximum Junction Temperature  |  | $T_S$       | 150                            | °C     |
| Total Power Dissipation at 25°C   |  | $P_S$       | 2.78                           | W      |
| Insulation Resistance at $T_S$  | $V_{IO} = 500$ V   | $R_S$       | >10 <sup>9</sup>               | Ω      |

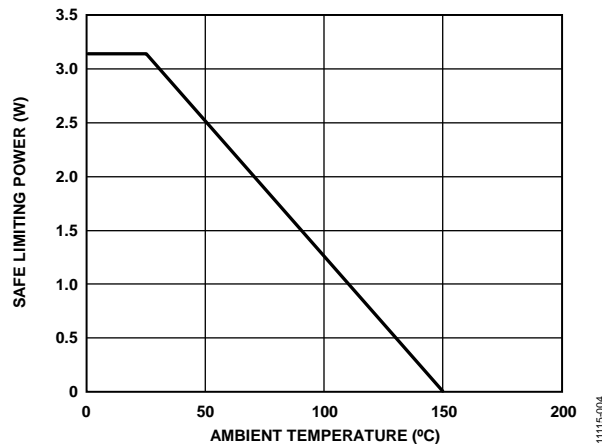


Figure 4. Thermal Derating Curve, Dependence of Safety Limiting Values on Case Temperature, per DIN V VDE V 0884-10



**TIMING CHARACTERISTICS**

VDD = 3.3 V ± 10%, GND = 0 V, on-chip reference, CLKIN = 4.096 MHz, T<sub>MIN</sub> to T<sub>MAX</sub> = -40°C to +85°C.

**Table 5. SPI Interface Timing Parameters**

| Parameter                                      | Symbol           | Min | Max  | Unit |
|--|------------------|-----|------|------|
| $\overline{CS}$ to SCLK Positive Edge          | t <sub>SS</sub>  | 50  |      | ns   |
| SCLK Frequency <sup>1</sup>                    |                  | 250 | 5600 | kHz  |
| SCLK Low Pulse Width                           | t <sub>SL</sub>  | 80  |      | ns   |
| SCLK High Pulse Width                          | t <sub>SH</sub>  | 80  |      | ns   |
| Data Output Valid After SCLK Edge              | t <sub>DAV</sub> |     | 80   | ns   |
| Data Input Setup Time Before SCLK Edge         | t <sub>DSU</sub> | 70  |      | ns   |
| Data Input Hold Time After SCLK Edge           | t <sub>DHD</sub> | 20  |      | ns   |
| Data Output Fall Time                          | t <sub>DF</sub>  |     | 20   | ns   |
| Data Output Rise Time                          | t <sub>DR</sub>  |     | 20   | ns   |
| SCLK Rise Time                                 | t <sub>SR</sub>  |     | 20   | ns   |
| SCLK Fall Time                                 | t <sub>SF</sub>  |     | 20   | ns   |
| MISO Disable After $\overline{CS}$ Rising Edge | t <sub>DIS</sub> | 5   | 40   | ns   |
| $\overline{CS}$ High After SCLK Edge           | t <sub>SFS</sub> | 0   |      | ns   |

<sup>1</sup> Minimum and maximum specifications are guaranteed by design.

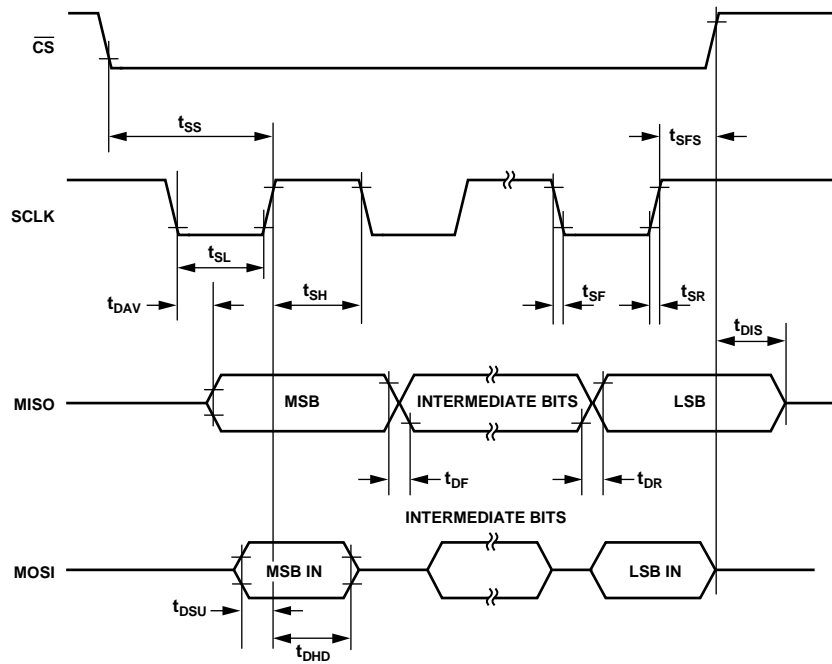


Figure 5. SPI Interface Timing

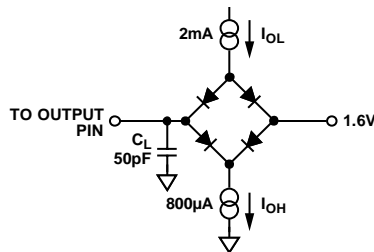


Figure 6. Load Circuit for Timing Specifications

## ABSOLUTE MAXIMUM RATINGS

T<sub>A</sub> = 25°C, unless otherwise noted.

Table 6.

| Parameter   | Rating                   |
|---|--------------------------|
| VDD to GND  | −0.3 V to +3.7 V         |
| Analog Input Voltage to GND <sub>ISO</sub> , IP, IM, V1P, V2P, VM | −2 V to +2 V             |
| Reference Input Voltage to GND <sub>ISO</sub>                     | −0.3 V to VDD + 0.3 V    |
| Digital Input Voltage to GND                                      | −0.3 V to VDD + 0.3 V    |
| Digital Output Voltage to GND                                     | −0.3 V to VDD + 0.3 V    |
| Common-Mode Transients <sup>1</sup>                               | −100 kV/μs to +100 kV/μs |
| Operating Temperature   |                          |
| Industrial Range  | −40°C to +85°C           |
| Storage Temperature Range   | −65°C to +150°C          |
| Lead Temperature (Soldering, 10 sec) <sup>2</sup>                 | 260°C                    |

<sup>1</sup> Refers to common-mode transients across the insulation barrier. Common-mode transients exceeding the absolute maximum ratings may cause latch-up or permanent damage.

<sup>2</sup> Analog Devices recommends that reflow profiles used in soldering RoHS compliant devices conform to J-STD-020D.1 from JEDEC. Refer to JEDEC for the latest revision of this standard.

Stresses at or above those listed under Absolute Maximum Ratings may cause permanent damage to the product. This is a stress rating only; functional operation of the product at these or any other conditions above those indicated in the operational section of this specification is not implied. Operation beyond the maximum operating conditions for extended periods may affect product reliability.

### THERMAL RESISTANCE

θ<sub>JA</sub> and θ<sub>JC</sub> are specified for the worst-case conditions, that is, a device soldered in a circuit board for surface-mount packages.

Table 7. Thermal Resistance

| Package Type    | θ <sub>JA</sub> | θ <sub>JC</sub> | Unit |
|-----------------|-----------------|-----------------|------|
| 20-Lead SOIC_IC | 48.0            | 6.2             | °C/W |

### ESD CAUTION



**ESD (electrostatic discharge) sensitive device.** Charged devices and circuit boards can discharge without detection. Although this product features patented or proprietary protection circuitry, damage may occur on devices subjected to high energy ESD. Therefore, proper ESD precautions should be taken to avoid performance degradation or loss of functionality.

Table 8. Maximum Continuous Working Voltage Supporting a 50-Year Minimum Lifetime<sup>1</sup>

| Parameter                    | Max  | Unit   |
|------------------------------|------|--------|
| AC Voltage, Bipolar Waveform | 400  | V rms  |
| DC Voltage, Basic Insulation | 1173 | V peak |

<sup>1</sup> Refers to the continuous voltage magnitude imposed across the isolation barrier. See the Insulation Lifetime section for more details.

Note that greater working voltages than the values presented in Table 8 shorten the lifetime of the product (see the Insulation Lifetime section). Therefore, although some certifications in Table 2 state bigger maximum working voltages, use the [ADE7912/ADE7913](#) only for working voltages lower than the values presented in this Table 8.

## PIN CONFIGURATION AND FUNCTION DESCRIPTIONS

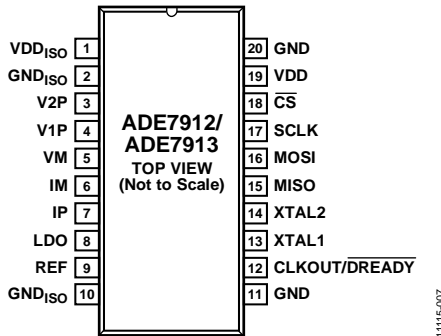


Figure 7. Pin Configuration

Table 9. Pin Function Descriptions

| Pin No. | Mnemonic           | Description  |
|---------|--------------------|--|
| 1       | VDD <sub>ISO</sub> | Isolated Secondary Side Power Supply. This pin provides access to the 2.8 V on-chip isolated power supply. Do not connect external load circuitry to this pin. Decouple this pin with a 10 $\mu$ F capacitor in parallel with a ceramic 100 nF capacitor using Pin 2, GND <sub>ISO</sub> .   |
| 2, 10   | GND <sub>ISO</sub> | Ground Reference of the Isolated Secondary Side. These pins provide the ground reference for the analog circuitry. Use these quiet ground references for all analog circuitry. These two pins are connected together internally.   |
| 3, 4, 5 | V2P, V1P, VM       | Analog Inputs for the Voltage Channels. The voltage channels are used with the voltage transducers. V2P and V1P are pseudo differential voltage inputs with a maximum signal level of $\pm 500$ mV with respect to VM for specified operation. Use these pins with the related input circuitry, as shown in Figure 20. If V1P or V2P is not used, connect it to the VM pin. On the <a href="#">ADE7912</a> , connect the V2P pin to the VM pin because the V2P voltage channel is not available. The second voltage channel is available on the <a href="#">ADE7913</a> only.  |
| 6, 7    | IM, IP             | Analog Inputs for the Current Channel. The current channel is used with shunts. IM and IP are pseudo differential voltage inputs with a maximum differential level of $\pm 31.25$ mV. Use these pins with the related input circuitry, as shown in Figure 20.  |
| 8       | LDO                | 2.5 V Output of Analog Low Dropout (LDO) Regulator. Decouple this pin with a 4.7 $\mu$ F capacitor in parallel with a ceramic 100 nF capacitor to GND <sub>ISO</sub> , Pin 10. Do not connect external load circuitry to this pin.   |
| 9       | REF                | Voltage Reference. This pin provides access to the on-chip voltage reference. The on-chip reference has a nominal value of 1.2 V. Decouple this pin to GND <sub>ISO</sub> , Pin 10, with a 4.7 $\mu$ F capacitor in parallel with a ceramic 100 nF capacitor.  |
| 11, 20  | GND                | Primary Ground Reference.  |
| 12      | CLKOUT/DREADY      | Clock Output (CLKOUT). When CLKOUT functionality is selected (see the Synchronizing Multiple ADE7912/ADE7913 Devices section for details), the <a href="#">ADE7912/ADE7913</a> generate a digital signal synchronous to the master clock at the XTAL1 pin. Use CLKOUT to provide a clock to other <a href="#">ADE7912/ADE7913</a> devices on the board.<br>Data Ready, Active Low (DREADY). When DREADY functionality is selected (see the Synchronizing Multiple ADE7912/ADE7913 Devices section for details), the <a href="#">ADE7912/ADE7913</a> generate an active low signal synchronous to the ADC output frequency. Use this signal to start reading the ADC outputs of the <a href="#">ADE7912/ADE7913</a> . |
| 13      | XTAL1              | Master Clock Input. An external clock can be provided at this logic input. The CLKOUT/DREADY signal of another appropriately configured <a href="#">ADE7912/ADE7913</a> (see the Synchronizing Multiple ADE7912/ADE7913 Devices section for details) can be provided at this pin. Alternatively, a crystal with a maximum drive level of 0.5 mW and an equivalent series resistance (ESR) of 20 $\Omega$ can be connected across XTAL1 and XTAL2 to provide a clock source for the <a href="#">ADE7912/ADE7913</a> . The clock frequency for specified operation is 4.096 MHz, but lower frequencies down to 3.6 MHz can be used. See the ADE7912/ADE7913 Clock section for more details.                            |
| 14      | XTAL2              | Crystal, Second Input. A crystal with a maximum drive level of 0.5 mW and an ESR of 20 $\Omega$ can be connected across XTAL2 and XTAL1 to provide a clock source for the <a href="#">ADE7912/ADE7913</a> .  |
| 15      | MISO               | Data Output for SPI Port. Pull up this pin with a 10 k $\Omega$ resistor (see the SPI-Compatible Interface section for details).   |
| 16      | MOSI               | Data Input for SPI Port.   |

| <b>Pin No.</b> | <b>Mnemonic</b>        | <b>Description</b>   |
|----------------|------------------------|--|
| 17             | SCLK                   | Serial Clock Input for SPI Port. All serial data transfers are synchronized to this clock (see the ADE7912/ADE7913 Clock section).   |
| 18             | $\overline{\text{CS}}$ | Chip Select for SPI Port.  |
| 19             | VDD                    | Primary Supply Voltage. This pin provides the supply voltage for the <a href="#">ADE7912/ADE7913</a> . Maintain the supply voltage at $3.3\text{ V} \pm 10\%$ for specified operation. Decouple this pin to GND, Pin 20, with a $10\ \mu\text{F}$ capacitor in parallel with a ceramic $100\ \text{nF}$ capacitor. |

TYPICAL PERFORMANCE CHARACTERISTICS

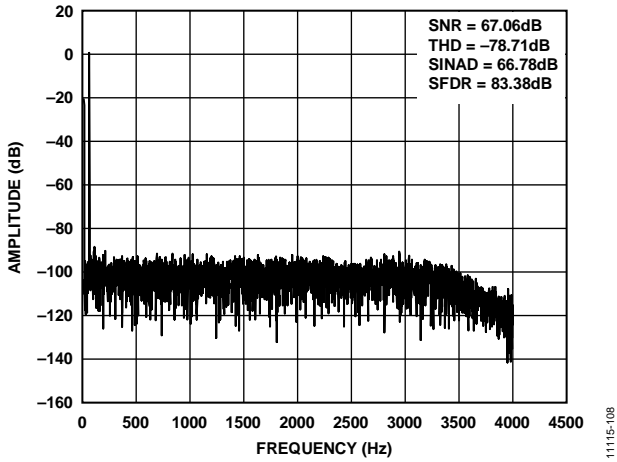


Figure 8. Current Channel FFT,  $\pm 31.25$  mV, 50 Hz Pseudo Differential Input Signal, ADC\_FREQ = 8 kHz, BW = 3300 Hz

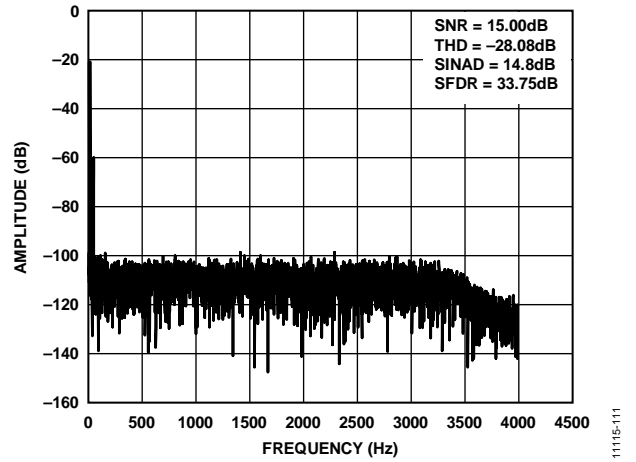


Figure 11. Voltage Channel V1 FFT,  $\pm 500$   $\mu$ V, 50 Hz Pseudo Differential Input Signal, ADC\_FREQ = 8 kHz, BW = 3300 Hz

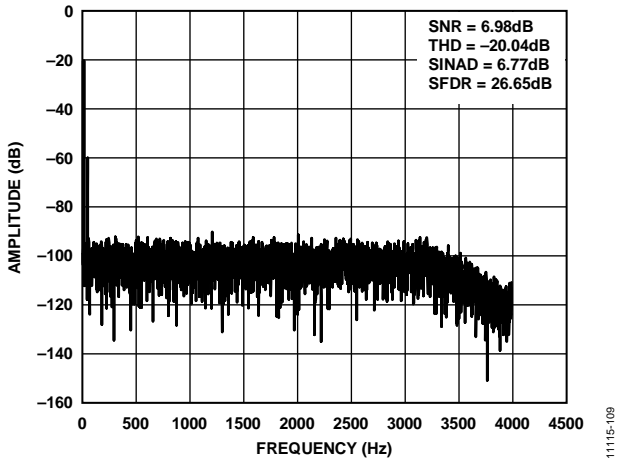


Figure 9. Current Channel FFT,  $\pm 31.25$   $\mu$ V, 50 Hz Pseudo Differential Input Signal, ADC\_FREQ = 8 kHz, BW = 3300 Hz

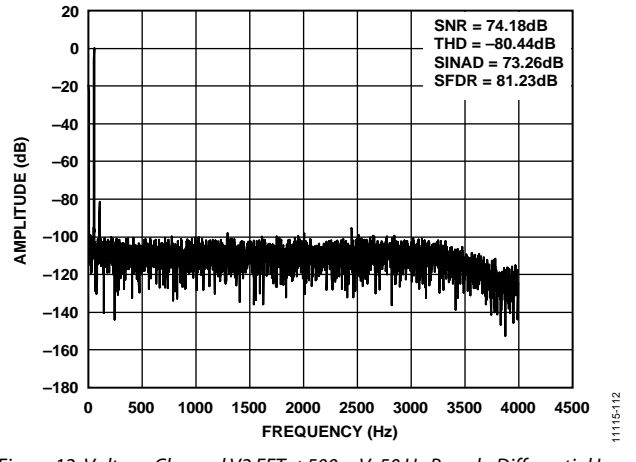


Figure 12. Voltage Channel V2 FFT,  $\pm 500$  mV, 50 Hz Pseudo Differential Input Signal, ADC\_FREQ = 8 kHz, BW = 3300 Hz

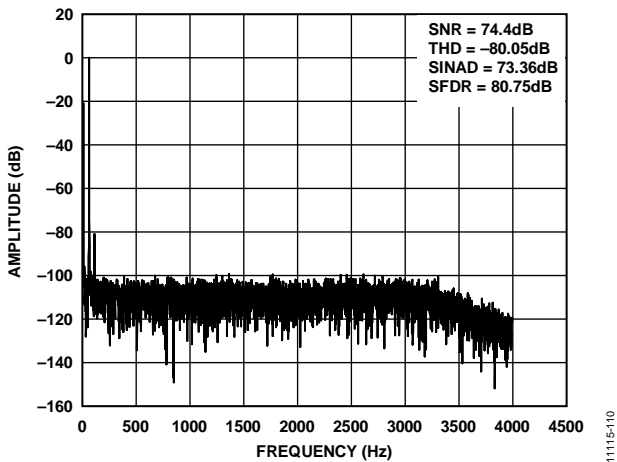


Figure 10. Voltage Channel V1 FFT,  $\pm 500$  mV, 50 Hz Pseudo Differential Input Signal, ADC\_FREQ = 8 kHz, BW = 3300 Hz

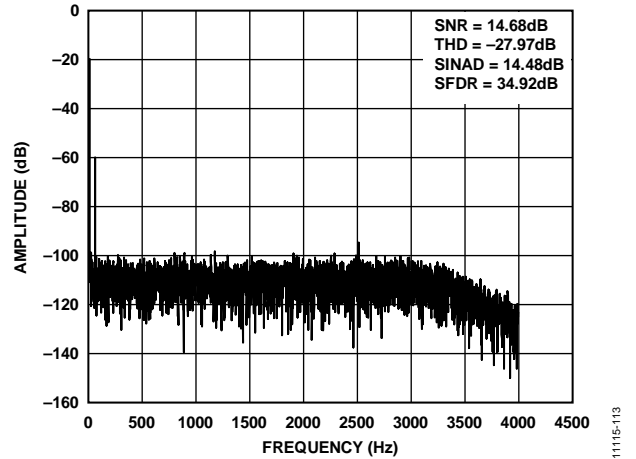


Figure 13. Voltage Channel V2 FFT,  $\pm 500$   $\mu$ V, 50 Hz Pseudo Differential Input Signal, ADC\_FREQ = 8 kHz, BW = 3300 Hz

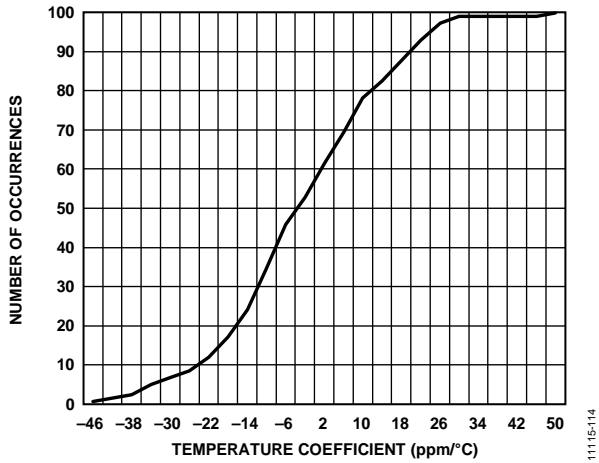


Figure 14. Cumulative Histogram of the Current Channel ADC Gain Temperature Coefficient for Temperatures Between  $-40^{\circ}\text{C}$  and  $+25^{\circ}\text{C}$

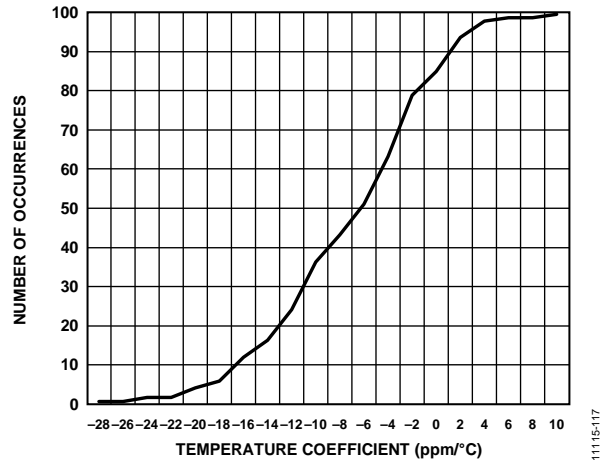


Figure 17. Cumulative Histogram of the Voltage Channel V1 ADC Gain Temperature Coefficient for Temperatures Between  $25^{\circ}\text{C}$  and  $85^{\circ}\text{C}$



Figure 15. Cumulative Histogram of the Current Channel ADC Gain Temperature Coefficient for Temperatures Between  $25^{\circ}\text{C}$  and  $85^{\circ}\text{C}$

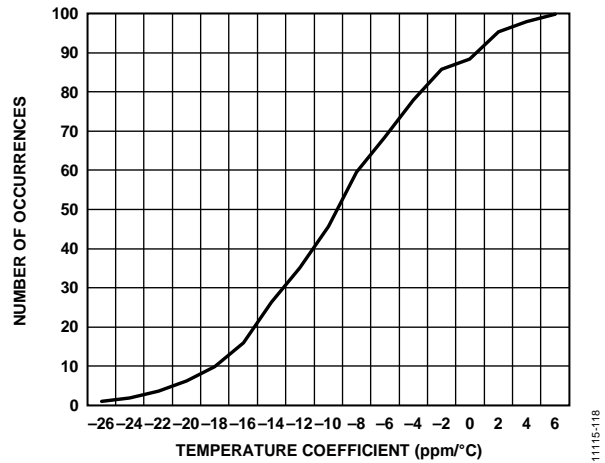


Figure 18. Cumulative Histogram of the Voltage Channel V2 ADC Gain Temperature Coefficient for Temperatures Between  $-40^{\circ}\text{C}$  and  $+25^{\circ}\text{C}$

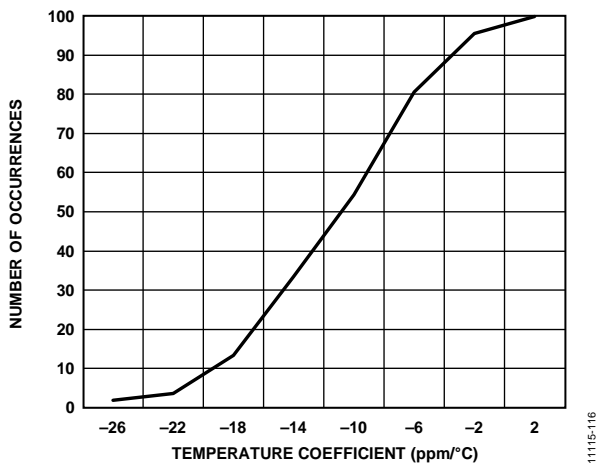


Figure 16. Cumulative Histogram of the Voltage Channel V1 ADC Gain Temperature Coefficient for Temperatures Between  $-40^{\circ}\text{C}$  and  $+25^{\circ}\text{C}$

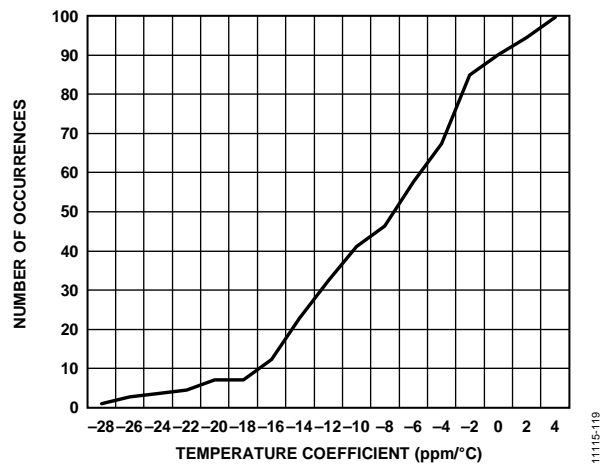
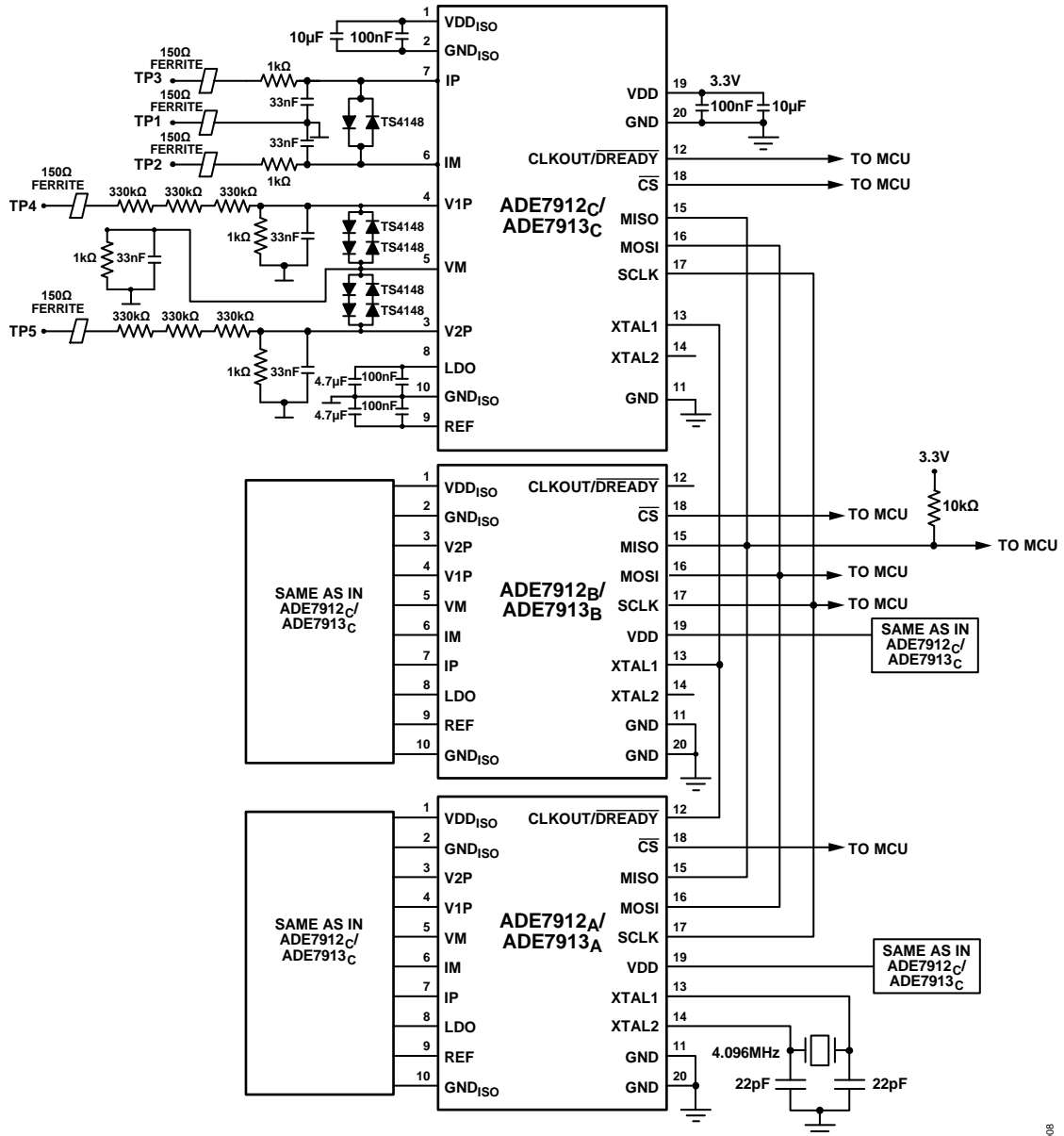


Figure 19. Cumulative Histogram of the Voltage Channel V2 ADC Gain Temperature Coefficient for Temperatures Between  $25^{\circ}\text{C}$  and  $85^{\circ}\text{C}$

TEST CIRCUIT



NOTES  
 1. ADE7912<sub>x</sub>/ADE7913<sub>x</sub> = PHASE X ADE7912/ADE7913, WHERE X = A, B, OR C.

Figure 20. Test Circuit

11115-008

## TERMINOLOGY

### Pseudo Differential Signal Voltage Range Between IP and IM, V1P and VM, and V2P and VM Pins

The range represents the peak-to-peak pseudo differential voltage that must be applied to the ADCs to generate a full-scale response when the IM and VM pins are connected to GND<sub>ISO</sub>, Pin 2. The IM and VM pins are connected to GND<sub>ISO</sub> using antialiasing filters (see Figure 20). Figure 21 illustrates the input voltage range between IP and IM; Figure 22 illustrates the input voltage range between V1P and VM and between V2P and VM.

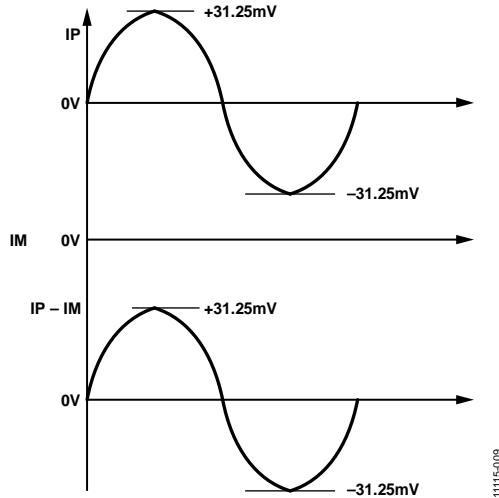


Figure 21. Pseudo Differential Input Voltage Range Between IP and IM Pins

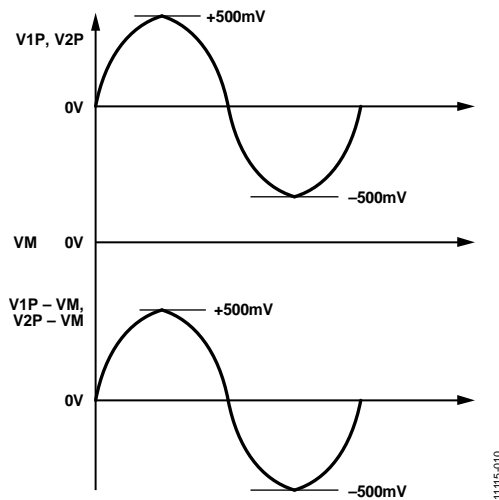


Figure 22. Pseudo Differential Input Voltage Range Between V1P and VM Pins and Between V2P and VM Pins

### Maximum VM and IM Voltage Range

The range represents the maximum allowed voltage at VM and IM pins relative to GND<sub>ISO</sub>, Pin 10.

### Crosstalk

Crosstalk represents leakage of signals, usually via capacitance between circuits. Crosstalk is measured in the current channel by setting the IP and IM pins to GND<sub>ISO</sub>, Pin 10, supplying a full-scale alternate differential voltage between the V1P and VM pins and between the V2P and VM pins of the voltage channel, and measuring the output of the current channel. It is measured in the V1P voltage channel by setting the V1P and VM pins to GND<sub>ISO</sub>, Pin 10, supplying a full-scale alternate differential voltage at the IP and V2P pin, and measuring the output of the V1P channel. Crosstalk is measured in the V2P voltage channel by setting the V2P and VM pins to GND<sub>ISO</sub>, Pin 10, supplying a full-scale alternate differential voltage at the IP and V1P pins, and measuring the output of the V2P channel. The crosstalk is equal to the ratio between the grounded ADC output value and the ADC full-scale output value. The ADC outputs are acquired for 2 sec. Crosstalk is expressed in decibels.

### Input Impedance to Ground (DC)

The input impedance to ground represents the impedance measured at each ADC input pin (IP, IM, V1P, V2P, and VM) with respect to GND<sub>ISO</sub>, Pin 10.

### ADC Offset Error

ADC offset error is the difference between the average measured ADC output code with both inputs connected to GND<sub>ISO</sub> and the ideal ADC output code. The magnitude of the offset depends on the input range of each channel.

### ADC Offset Drift over Temperature

The ADC offset drift is the change in offset over temperature. It is measured at -40°C, +25°C, and +85°C. The offset drift over temperature is computed as follows:

$$\text{Drift} = \max \left[ \left| \frac{\text{Offset}(-40) - \text{Offset}(25)}{\text{Offset}(25) \times (-40 - 25)} \right|, \left| \frac{\text{Offset}(85) - \text{Offset}(25)}{\text{Offset}(25) \times (85 - 25)} \right| \right]$$

Offset drift is expressed in ppm/°C.

### Gain Error

The gain error in the ADCs represents the difference between the measured ADC output code (minus the offset) and the ideal output code when the internal voltage reference is used (see the Analog-to-Digital Conversion section). The difference is expressed as a percentage of the ideal code. It represents the overall gain error of one current or voltage channel.



**Gain Drift over Temperature**

This temperature coefficient includes the temperature variation of the ADC gain and of the internal voltage reference. It represents the overall temperature coefficient of one current or voltage channel. With the internal voltage reference in use, the ADC gain is measured at  $-40^{\circ}\text{C}$ ,  $+25^{\circ}\text{C}$ , and  $+85^{\circ}\text{C}$ . The temperature coefficient is computed as follows:

$$\text{Drift} = \max \left[ \left| \frac{\text{Gain}(-40) - \text{Gain}(25)}{\text{Gain}(25) \times (-40 - 25)} \right|, \left| \frac{\text{Gain}(85) - \text{Gain}(25)}{\text{Gain}(25) \times (85 - 25)} \right| \right]$$

Gain drift is measured in ppm/ $^{\circ}\text{C}$ .

**Power Supply Rejection (PSR)**

PSR quantifies the measurement error as a percentage of reading when the power supplies are varied. For the ac PSR measurement, a reading at nominal supplies (3.3 V) is taken when the voltage at the input pins is 0 V. A second reading is obtained with the same input signal levels when an ac signal (120 mV rms at 50 Hz or 100 Hz) is introduced onto the supplies. Any error introduced by this ac signal is expressed as a percentage of the reading (power supply rejection ratio, PSRR).  $\text{PSR} = 20 \log_{10} (\text{PSRR})$ .

For the dc PSR measurement, a reading at nominal supplies (3.3 V) is taken when the voltage between the IP and IM pins is 6.25 mV rms, and the voltages between the V1P and VM pins and between the V2P and VM pins are 100 mV rms. A second reading is obtained with the same input signal levels when the power supplies are varied by  $\pm 10\%$ . Any error introduced is expressed as a percentage of the reading (PSRR). Then  $\text{PSR} = 20 \log_{10} (\text{PSRR})$ .

**Signal-to-Noise Ratio (SNR)**

SNR is the ratio of the rms value of the actual input signal to the rms sum of all other spectral components below the Nyquist frequency, excluding harmonics and dc. The waveform samples are acquired over a 1 sec window, and then a Hanning window is applied. The value for SNR is expressed in decibels.

**Signal-to-Noise-and-Distortion (SINAD) Ratio**

SINAD is the ratio of the rms value of the actual input signal to the rms sum of all other spectral components below the Nyquist frequency, including harmonics but excluding dc. The waveform samples are acquired over a 1 sec window, and then a Hanning window is applied. The value for SINAD is expressed in decibels.

**Total Harmonic Distortion (THD)**

THD is the ratio of the rms sum of all harmonics (excluding the noise components) to the rms value of the fundamental. The waveform samples are acquired over a 1 sec window, and then a Hanning window is applied. The value for THD is expressed in decibels.

**Spurious-Free Dynamic Range (SFDR)**

SFDR is the ratio of the rms value of the actual input signal to the rms value of the peak spurious component over the measurement bandwidth of the waveform samples. The waveform samples are acquired over a 1 sec window, and then a Hanning window is applied. The value of SFDR is expressed in decibels relative to full scale, dBFS.

## THEORY OF OPERATION

### ANALOG INPUTS

The ADE7913 has three analog inputs: one current channel and two voltage channels. The ADE7912 does not include the second voltage channel. The current channel has two fully differential voltage input pins, IP and IM, that accept a maximum differential signal of  $\pm 31.25$  mV.

The maximum  $V_{IP}$  signal level is also  $\pm 31.25$  mV. The maximum  $V_{IM}$  signal level allowed at the IM input is  $\pm 25$  mV. Figure 23 shows a schematic of the input for the current channel and the relation to the maximum IM pin voltage.

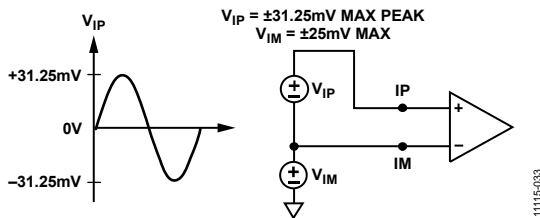


Figure 23. Maximum Input Level, Current Channel

Note that the current channel senses the voltage across a shunt. In this case, one pole of the shunt becomes the ground of the meter (see Figure 32) and, therefore, the current channel is used in a pseudo differential configuration, similar to the voltage channel configuration (see Figure 24).

The voltage channel has two pseudo differential, single-ended voltage input pins: V1P and V2P. These single-ended voltage inputs have a maximum input voltage of  $\pm 500$  mV with respect to VM. The maximum signal allowed at the VM input is  $\pm 25$  mV. Figure 24 shows a schematic of the voltage channel inputs and their relation to the maximum VM voltage.

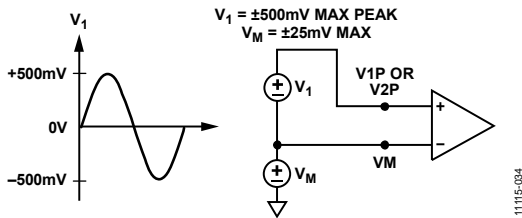


Figure 24. Maximum Input Level, Voltage Channels

### ANALOG-TO-DIGITAL CONVERSION

The ADE7912/ADE7913 have three second-order  $\Sigma$ - $\Delta$  ADCs. For simplicity, the block diagram in Figure 25 shows a first-order  $\Sigma$ - $\Delta$  ADC. The converter is composed of the  $\Sigma$ - $\Delta$  modulator and the digital low-pass filter, separated by the digital isolation block.

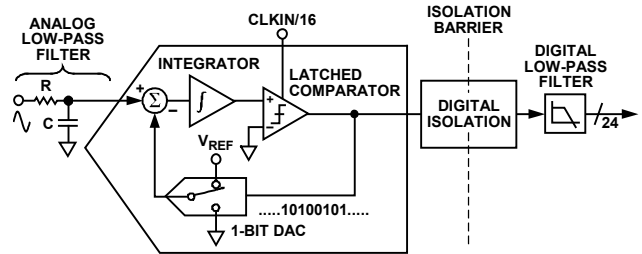


Figure 25. First-Order  $\Sigma$ - $\Delta$  ADC

A  $\Sigma$ - $\Delta$  modulator converts the input signal into a continuous serial stream of 1s and 0s at a rate determined by the sampling clock. In the ADE7912/ADE7913, the sampling clock is equal to  $CLKIN/4$  (1.024 MHz when  $CLKIN = 4.096$  MHz). The 1-bit DAC in the feedback loop is driven by the serial stream. The DAC output is subtracted from the input signal. If the loop gain is high enough, the average value of the DAC output (and, therefore, the bit stream) can approach that of the input signal level. For any given input value in a single sampling interval, the data from the 1-bit ADC is virtually meaningless. A meaningful result is obtained only when a large number of samples is averaged. This averaging is completed in the second part of the ADC, the digital low-pass filter, after the data passes through the digital isolators. By averaging a large number of bits from the modulator, the low-pass filter can produce 24-bit data-words that are proportional to the input signal level.

The  $\Sigma$ - $\Delta$  converter uses two techniques to achieve high resolution from what is essentially a 1-bit conversion technique. The first technique is oversampling. Oversampling means that the signal is sampled at a rate (frequency) that is many times higher than the bandwidth of interest. For example, when  $CLKIN = 4.096$  MHz, the sampling rate in the ADE7912/ADE7913 is 1.024 MHz, and the bandwidth of interest is 40 Hz to 3.3 kHz. Oversampling has the effect of spreading the quantization noise (noise due to sampling) over a wider bandwidth. With the noise spread more thinly over a wider bandwidth, the quantization noise in the bandwidth of interest is lowered, as shown in Figure 26.

However, oversampling alone is not sufficient to improve the signal-to-noise ratio (SNR) in the band of interest. For example, an oversampling factor of 4 is required to increase the SNR by a mere 6 dB (1 bit). To keep the oversampling ratio at a reasonable level, it is possible to shape the quantization noise so that the majority of the noise lies at the higher frequencies. Noise shaping is the second technique that achieves high resolution. In the  $\Sigma$ - $\Delta$  modulator, the noise is shaped by the integrator, which has a high-pass type response for the quantization noise. The result is that most of the noise is at the higher frequencies where it can be removed by the digital low-pass filter. This noise shaping is shown in Figure 26.

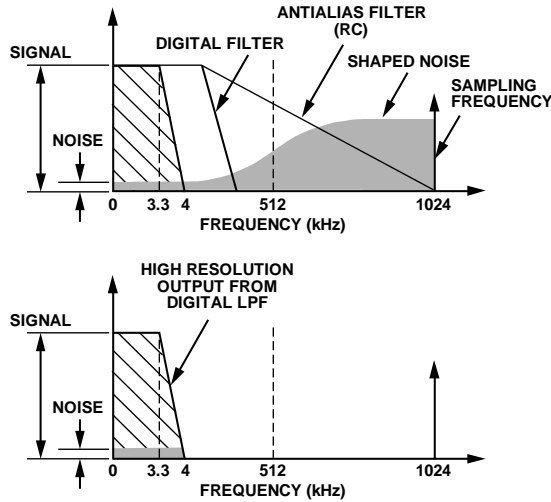


Figure 26. Noise Reduction Due to Oversampling and Noise Shaping in the Analog Modulator

The bandwidth of interest is a function of the input clock frequency, the ADC output frequency (selectable by Bits[5:4] (ADC\_FREQ) in the CONFIG register; see the ADC Output Values section for details), and Bit 7 (BW) of the CONFIG register. When CLKIN is 4.096 MHz and the ADC output frequency is 8 kHz, if BW is cleared to 0 (the default value) the ADC bandwidth is 3.3 kHz. If BW is set to 1, the ADC bandwidth is 2 kHz. Table 10 shows the ADC output frequencies and the ADC bandwidth as a function of the input clock (CLKIN) frequency. Three cases are shown: one for CLKIN = 4.096 MHz (the typical clock input frequency value), one for CLKIN = 4.21 MHz (the maximum clock input frequency), and one for CLKIN = 3.6 MHz (the minimum clock input frequency).

### Antialiasing Filter

Figure 25 also shows an analog low-pass filter (RC) on the input to the ADC. This filter is placed outside the ADE7912/ADE7913, and the role is to prevent aliasing. Aliasing is an artifact of all sampled systems, as shown in Figure 27. Aliasing refers to the frequency components in the input signal to the ADC that are higher than half the sampling rate of the ADC and appear in the sampled signal at a frequency below half the sampling rate. Frequency components above half the sampling frequency (also known as the Nyquist frequency, that is, 512 kHz) are imaged or folded back down below 512 kHz. This happens with all ADCs, regardless of the architecture. In Figure 27, only frequencies near the sampling frequency of 1.024 MHz move into the bandwidth of interest for metering, that is, 40 Hz to 3.3 kHz, or 40 Hz to 2 kHz. To attenuate the high frequency noise (near 1.024 MHz) and prevent the distortion of the bandwidth of interest, a low-pass filter (LPF) must be introduced. It is recommended that one RC filter with a corner frequency of 5 kHz be used for the attenuation to be sufficiently high at the sampling frequency of 1.024 MHz. The 20 dB per decade attenuation of this filter is usually sufficient to eliminate the effects of aliasing.

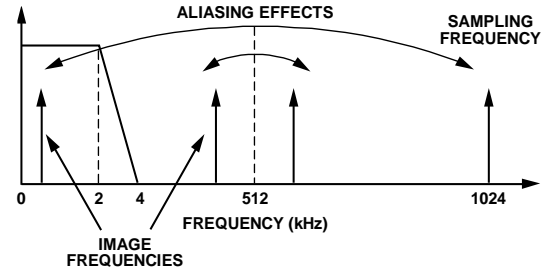


Figure 27. Aliasing Effects

Table 10. ADC Output Frequency and ADC Bandwidth as a Function of CLKIN Frequency

| CLKIN (MHz) | Bits ADC_FREQ in CONFIG Register | ADC Output Frequency (Hz) | ADC Bandwidth When Bit BW in CONFIG Register Cleared to 0 (Hz) | ADC Bandwidth When Bit BW in CONFIG Register Set to 1 (Hz) |
|-------------|----------------------------------|---------------------------|--|--|
| 4.096       | 00                               | 8000                      | 3300   | 2000   |
|             | 01                               | 4000                      | 1650   | 1000   |
|             | 10                               | 2000                      | 825  | 500  |
|             | 11                               | 1000                      | 412  | 250  |
| 4.21        | 00                               | 8222                      | 3391   | 2055   |
|             | 01                               | 4111                      | 1695   | 1027   |
|             | 10                               | 2055                      | 847  | 513  |
|             | 11                               | 1027                      | 423  | 256  |
| 3.6         | 00                               | 7031                      | 2900   | 1757   |
|             | 01                               | 3515                      | 1450   | 878  |
|             | 10                               | 1757                      | 725  | 439  |
|             | 11                               | 878                       | 362  | 219  |

**ADC Transfer Function**

All ADCs in the ADE7912/ADE7913 produce 24-bit signed output codes. With a full-scale input signal of 31.25 mV on the current channel and 0.5 V on the voltage channels, and with an internal reference of 1.2 V, the ADC output code is nominally 5,320,000 and usually varies for each ADE7912/ADE7913 around this value. The code from the ADC can vary between 0x800000 (−8,388,608) and 0x7FFFFF (+8,388,607); this is equivalent to an input signal level of ±49.27 mV on the current channel and ±0.788 V on the voltage channels. However, for specified performance, do not exceed the nominal range of ±31.25 mV for the current channel and ±500 mV for the voltage channels; ADC performance is guaranteed only for input signals within these limits. For input signals outside these limits, the digital low-pass filter of the ADCs (see Figure 25) overflows.

**ADC Output Values**

The ADC output values are stored in three 24-bit signed registers, IWV, V1WV, and V2WV, at a rate defined by Bits[5:4] (ADC\_FREQ) in the CONFIG register. The output frequency is 8 kHz (CLKIN/512), 4 kHz (CLKIN/1024), 2 kHz (CLKIN/2048), or 1 kHz (CLKIN/4096) based on ADC\_FREQ being equal to 00, 01, 10, or 11, respectively, when CLKIN is 4.096 MHz.

The microcontroller reads the ADC output registers one at a time or in burst mode. See the SPI Read Operation section and the SPI Read Operation in Burst Mode section for more information.

**REFERENCE CIRCUIT**

The nominal reference voltage at the REF pin is 1.2 V. This reference voltage is used for the ADCs in the ADE7912/ADE7913. Because the on-chip dc-to-dc converter cannot supply external loads, the REF pin cannot be overdriven by a standalone external voltage reference.

The voltage of the ADE7912/ADE7913 reference drifts slightly with temperature. Table 1 lists the gain drift over temperature specification of each ADC channel. This value includes the temperature variation of the ADC gain, together with the temperature variation of the internal voltage reference.

**CRC OF ADC OUTPUT VALUES**

Every output cycle, the ADE7912/ADE7913 compute the cyclic redundancy check (CRC) of the ADC output values stored in the IWV, V1WV, and V2WV registers. Bits[5:4] (ADC\_FREQ) in the CONFIG register determine the ADC output frequency and, therefore, the update rate of the CRC.

The CRC algorithm is based on the CRC-16-CCITT algorithm. The registers are introduced into a linear feedback shift register (LFSR) based generator one byte at a time, least significant byte first, as shown in Figure 28. Each byte is then used with the most significant bit first. The 16-bit result is written in the ADC\_CRC register.

When Bits[5:4] (ADC\_FREQ) in the CONFIG register are set to 00, the ADC output frequency is 8 kHz and the ADC\_CRC register contains the CRC of the IWV, V1WV, and V2WV registers generated during the same ADC output cycle. When ADC\_FREQ bits are set to 01, 10 or 11, the ADC output frequency is 4 kHz, 2 kHz, and 1 kHz, respectively and the ADC\_CRC register contains the CRC of the IWV, V1WV, and V2WV registers generated during the previous ADC output cycle.

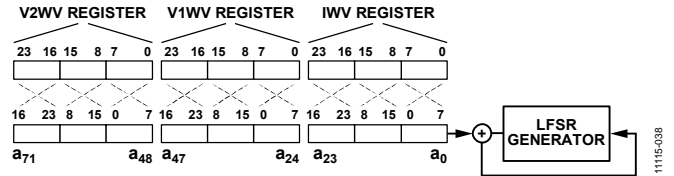


Figure 28. CRC Calculation of ADC Output Values

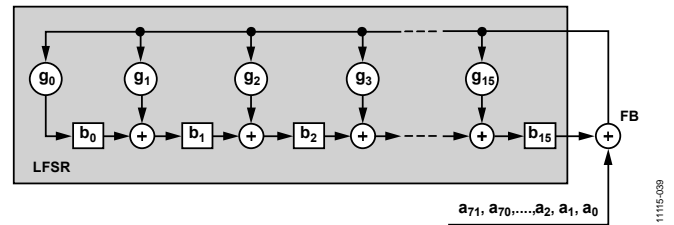


Figure 29. LFSR Generator Used for ADC\_CRC Calculation

Figure 29 shows how the LFSR works. The IWV, V1WV, and V2WV registers form the [a71, a70, ..., a0] bits used by the LFSR. Bit a0 is Bit 7 of the first register to enter the LFSR; Bit a71 is Bit 16 of V2WV, the last register to enter the LFSR. The formulas that govern the LFSR are as follows:

$b_i(0) = 1$ , where  $i = 0, 1, 2, \dots, 15$ , the initial state of the bits that form the CRC. Bit  $b_0$  is the least significant bit, and Bit  $b_{15}$  is the most significant bit.

$g_i$ , where  $i = 0, 1, 2, \dots, 15$  are the coefficients of the generating polynomial defined by the CRC-16-CCITT algorithm as follows:

$$G(x) = x^{16} + x^{12} + x^5 + 1 \tag{1}$$

$$g_0 = g_5 = g_{12} = 1 \tag{2}$$

All other  $g_i$  coefficients are equal to 0.

$$FB(j) = a_{j-1} \text{ XOR } b_{15}(j-1) \tag{3}$$

$$b_0(j) = FB(j) \text{ AND } g_0 \tag{4}$$

$$b_i(j) = FB(j) \text{ AND } g_i \text{ XOR } b_{i-1}(j-1), i = 1, 2, 3, \dots, 15 \tag{5}$$

Equation 3, Equation 4, and Equation 5 must be repeated for  $j = 1, 2, \dots, 72$ . The value written into the ADC\_CRC register contains Bit  $b_i(72)$ ,  $i = 0, 1, \dots, 15$ .

The ADC\_CRC register can be read by executing an SPI register read access or as part of the SPI burst mode read operation. See the SPI Read Operation section and the SPI Read Operation in Burst Mode section for more details.

## TEMPERATURE SENSOR

The ADE7912/ADE7913 contain a temperature sensor that is multiplexed with the V2P input of the voltage channel. Bit 3 (TEMP\_EN) of the CONFIG register selects what the third ADC of the ADE7913 measures. If the TEMP\_EN bit is 0, the default value, the ADC measures the voltage between the V2P and VM pins. If the TEMP\_EN bit is 1, the ADC measures the temperature sensor. In the case of the ADE7912, the ADC always measures the temperature sensor, and the state of the TEMP\_EN bit has no significance. In both the ADE7912 and the ADE7913, the conversion result is stored in the V2WV register. The time it takes for the temperature sensor measurement to settle after the TEMP\_EN bit is set to 1 is 5 ms.

In the microcontroller, the expression calculates the temperature in degrees Celsius is:

$$\text{Temperature} = \text{Gain} \times \text{V2WV} + 8.72101 \times 10^{-5} \times \text{TEMPOS} \times 2^{11} - 306.47$$

where:

*Temperature* is the temperature value measured in degrees Celsius.

*Gain* is equal to  $8.72101 \times 10^{-5}$  when Bit 7 (BW) in the CONFIG register is 0 and  $8.21015 \times 10^{-5}$  when Bit 7 (BW) in the CONFIG register is 1. See Table 10 for details on Bit 7 (BW) significance in the context of ADC output frequency selection. The temperature measurement accuracy is  $\pm 5^\circ\text{C}$ .

*TEMPOS* is the 8-bit signed read-only register in which the temperature sensor offset is stored. The offset information is calculated during the manufacturing process, and it is stored with the opposite sign. For example, if the offset is 5, -5 is written into the ADE7912/ADE7913. One least significant bit (LSB) of the TEMPOS register is equivalent to  $2^{11}$  LSBs of the V2WV register.

Instead of using the default temperature gain value, the gain can be calibrated as part of the overall meter calibration process. Measure the temperature, TEMP, of every ADE7912/ADE7913 using a thermocouple. Call it temperature and express it in degrees Celsius (see Equation 6). Read the V2WV register containing the temperature sensor reading of every ADE7912/ADE7913, and compute the gains as follows:

$$\text{Temperature Gain} = \text{Gain} = (\text{Temperature} + 306.47) / (\text{V2WV} + (k \times \text{TEMPOS} \times 2^{11})) \quad (6)$$

where  $k = 1$  when Bit 7 (BW) in CONFIG register is 0 and  $k = 1.062223$  when Bit 7 (BW) in CONFIG register is 1.

## PROTECTING THE INTEGRITY OF CONFIGURATION REGISTERS

The configuration registers of the ADE7912/ADE7913 are either user accessible registers (CONFIG, EMI\_CTRL, SYNC\_SNAP, COUNTER0, and COUNTER1) or internal registers. The internal registers are not user accessible, and they must remain at their default values. To protect the integrity of all configuration registers, a write protection mechanism is available.

By default, the protection is disabled and the user accessible configuration registers can be written without restriction. When the protection is enabled, no writes to any configuration register are allowed. The registers can always be read, without restriction, independent of the write protection state.

To enable the protection, write 0xCA to the 8-bit lock register (Address 0xA). To disable the protection, write 0x9C to the 8-bit lock register. It is recommended that the write protection be enabled after the CONFIG and EMI\_CTRL registers are initialized. If any user accessible register must be changed, for example, during the synchronization process of multiple ADE7912/ADE7913 devices, disable the protection, change the value of the register, and then reenable the protection.

## CRC OF CONFIGURATION REGISTERS

Every output cycle, the ADE7912/ADE7913 compute the CRC of the CONFIG, EMI\_CTRL, and TEMPOS registers, as well as Bit 2 (IC\_PROT) of the STATUS0 register, and Bit 7 of the STATUS1 register. The CRC algorithm is called CRC-16-CCITT. The 16-bit result is written in the CTRL\_CRC register.

The input registers to the CRC circuit form a 64-bit array that is introduced bit by bit into an LFSR-based generator, similar to Figure 28 and Figure 29, with one byte at a time, least significant byte first. Each byte is then processed with the most significant bit first.

The formulas that govern the LFSR are as follows:

$b_i(0) = 1$ , where  $i = 0, 1, 2, \dots, 15$ , the initial state of the bits that form the CRC. Bit  $b_0$  is the least significant bit, and Bit  $b_{15}$  is the most significant bit.

$g_i$ , where  $i = 0, 1, 2, \dots, 15$  are the coefficients of the generating polynomial defined by the CRC-16-CCITT algorithm in Equation 1 and Equation 2.

$$FB(j) = a_{j-1} \text{ XOR } b_{15}(j-1) \quad (7)$$

$$b_0(j) = FB(j) \text{ AND } g_0 \quad (8)$$

$$b_i(j) = FB(j) \text{ AND } g_i \text{ XOR } b_{i-1}(j-1), i = 1, 2, 3, \dots, 15 \quad (9)$$

Equation 7, Equation 8, and Equation 9 must be repeated for  $j = 1, 2, \dots, 64$ . The value written into the CTRL\_CRC register contains Bit  $b_i(64)$ ,  $i = 0, 1, \dots, 15$ . Because each ADE7912/ADE7913 has a particular TEMPOS register value, each ADE7912/ADE7913 has a different CTRL\_CRC register default value.

**ADE7912/ADE7913 STATUS**

The bits in the STATUS0 and STATUS1 registers of the [ADE7912/ADE7913](#) characterize the state of the device.

If the value of the CTRL\_CRC register changes, Bit 1 (CRC\_STAT) is set to 1 in the STATUS0 register. This bit clears to 0 when the STATUS0 register is read.

After the configuration registers are protected by writing 0xCA into the lock register, Bit 2 (IC\_PROT) in the STATUS0 register is set to 1. It clears to 0 when the STATUS0 register is read, and it is set back to 1 at the next ADC output cycle.

At power-up, or after a hardware or software reset, the [ADE7912/ADE7913](#) signal the end of the reset period by clearing Bit 0 (RESET\_ON) to 0 in the STATUS0 register.

If the ADC output values of IWV, V1WV, and V2WV are not read during an output cycle, Bit 3 (ADC\_NA) in the STATUS1 register becomes 1. It clears to 0 when the STATUS1 register is read.

The STATUS0 and STATUS1 registers can be read by executing an SPI register read. STATUS0 can also be read as part of the SPI burst mode read operation. See the SPI Read Operation and the SPI Read Operation in Burst Mode sections for more information.

**INSULATION LIFETIME**

All insulation structures eventually break down when subjected to voltage stress over a sufficiently long period of time. The rate of insulation degradation is dependent on the characteristics of the voltage waveform applied across the insulation. In addition to the testing performed by the regulatory agencies, Analog Devices carries out an extensive set of evaluations to determine the lifetime of the insulation structure within the [ADE7912/ADE7913](#) devices. Analog Devices performs accelerated life testing using voltage levels higher than the rated continuous working voltage. Acceleration factors for several operating conditions are determined. These factors allow calculation of the time to failure at the actual working voltage.

The values shown in Table 8 summarize the maximum working voltage for 50 years of service life for a bipolar ac operating condition. In many cases, the approved working voltage is higher than the 50-year service life voltage. Operation at these high working voltages can lead to shortened insulation life in some cases.

The insulation lifetime of the [ADE7912/ADE7913](#) devices depends on the voltage waveform type imposed across the isolation barrier. The *i*Coupler insulation structure degrades at different rates depending on whether the waveform is bipolar ac or dc. Figure 30 and Figure 31 illustrate these different isolation voltage waveforms.

Bipolar ac voltage is the most stringent environment. The goal of a 50-year operating lifetime under the bipolar ac condition determines the maximum working voltage recommended by Analog Devices. In the case of dc voltage, the stress on the insulation is significantly lower. This allows operation at higher working voltages while still achieving a 50-year service life.

The working voltages listed in Table 8 can be applied while maintaining the 50-year minimum lifetime, provided that the voltage conforms to the dc voltage case. Treat any cross-insulation voltage waveform that does not conform to Figure 31 as a bipolar ac waveform, and limit the peak voltage to the 50-year lifetime voltage value listed in Table 8.

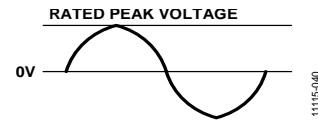


Figure 30. Bipolar AC Waveform

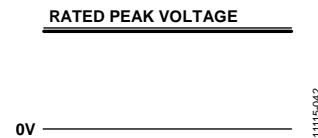


Figure 31. DC Waveform

## APPLICATIONS INFORMATION

### ADE7912/ADE7913 IN POLYPHASE ENERGY METERS

The ADE7912/ADE7913 are designed for use in 3-phase energy metering systems in which two, three, or four ADE7912/ADE7913 devices are managed by a master device containing an SPI interface, usually a microcontroller.

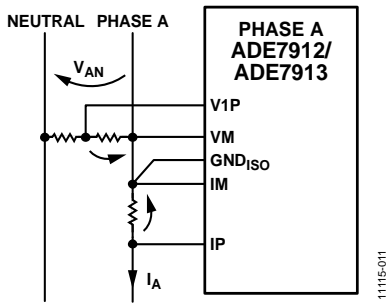


Figure 32. Phase A ADE7912/ADE7913 Current and Voltage Sensing

Figure 32 shows the Phase A of a 3-phase energy meter. The Phase A current,  $I_A$ , is sensed with a shunt. A pole of the shunt is connected to the IM pin of the ADE7912/ADE7913 and becomes the ground,  $GND_{ISO}$  (Pin 10), of the isolated side of the ADE7912/ADE7913. The Phase A to neutral voltage,  $V_{AN}$ , is sensed with a resistor divider, and the VM pin is also connected to the IM and  $GND_{ISO}$  pins. Note that the voltages measured by the ADCs of the ADE7912/ADE7913 are opposite to  $V_{AN}$  and  $I_A$ , a classic approach in single-phase metering. The other ADE7912/ADE7913 devices that monitor Phase B and Phase C are connected in a similar way.

The V2P voltage channel is intended to measure an auxiliary voltage, and it is available only on the ADE7913. If V2P is not used, as is the case of the ADE7912, connect V2P to VM.

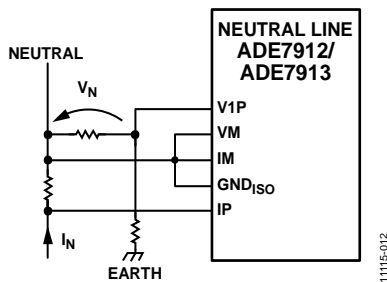


Figure 33. Neutral Line and Neutral to Earth Voltage Monitoring with the ADE7912/ADE7913

Figure 33 shows how the ADE7912/ADE7913 inputs are connected when the neutral line of a 3-phase system is monitored. The neutral current is sensed using a shunt and the voltage across the shunt is measured at the fully differential inputs, IP and IM. The earth to neutral voltage is sensed with a voltage divider at the single-ended inputs, V1P and VM.

Figure 34 shows a block diagram of a 3-phase energy meter that uses three ADE7912/ADE7913 devices and a microcontroller. The neutral current is not monitored in this example. One 4.096 MHz crystal provides the clock to the ADE7912/ADE7913 that senses the Phase A current and voltage. The ADE7912/ADE7913 devices that sense the Phase B and Phase C currents and voltages are clocked by a signal generated at the CLKOUT/DREADY pin of the ADE7912/ADE7913 that is placed to sense the Phase A current and voltage. As an alternative configuration, the microcontroller can generate a 4.096 MHz clock to all ADE7912/ADE7913 devices at the XTAL1 pin (see Figure 35). Note that the XTAL1 pin can receive a clock with a frequency within the 3.6 MHz to 4.21 MHz range, as specified in Table 1. The microcontroller uses the SPI port to communicate with the ADE7912/ADE7913 devices. Three of the I/O pins, CS\_A, CS\_B, and CS\_C, generate the SPI CS signals. The SCLK, MOSI, and MISO pins of the microcontroller are directly connected to the corresponding SCLK, MOSI, and MISO pins of each ADE7912/ADE7913 device (see Figure 38). To simplify Figure 34 to Figure 37, these connections are not shown.

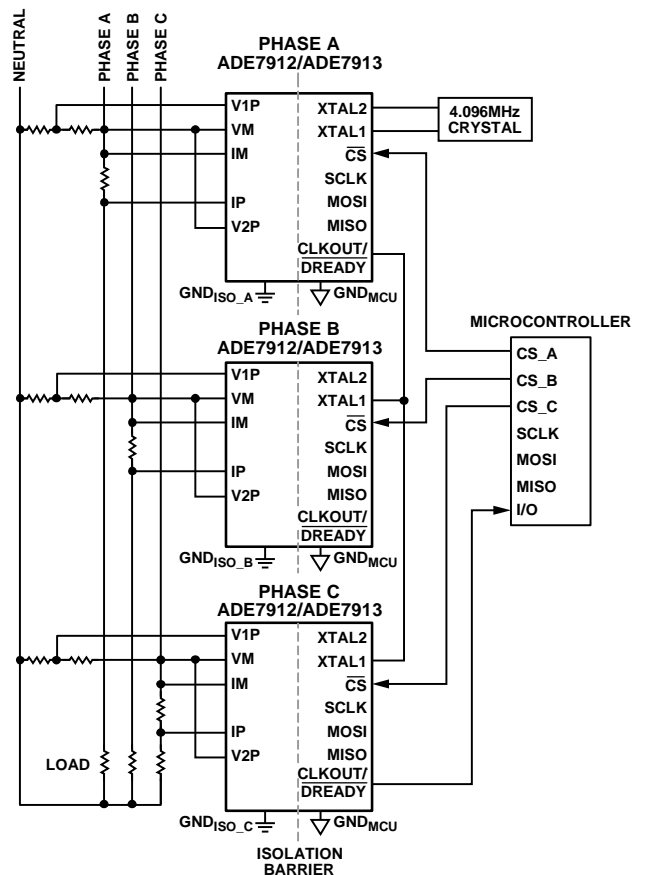


Figure 34. 3-Phase Energy Meter Using Three ADE7912/ADE7913 Devices

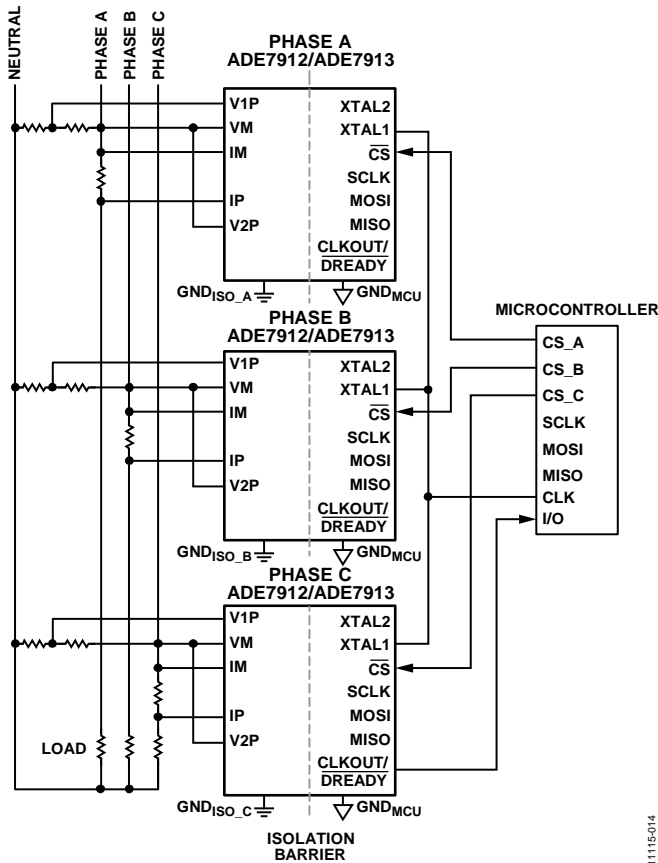


Figure 35. Microcontroller Generating Clock to Three ADE7912/ADE7913 Devices

In Figure 35, the CLKOUT/DREADY pin of the ADE7912/ADE7913 that senses the Phase C current and voltage is connected to the I/O pin of the microcontroller. CLKOUT/DREADY provides an active low pulse for 64 CLKIN cycles (15.625  $\mu$ s at CLKIN = 4.096 MHz) when the ADC conversion data is available. It signals when the ADC outputs of all ADE7912/ADE7913 devices become available and when the microcontroller starts to read them. See the Synchronizing Multiple ADE7912/ADE7913 Devices section for more information about synchronizing multiple ADE7912/ADE7913 devices.

At power-up, or after a hardware or software reset, follow the procedure described in the Power-Up Procedure for Systems with Multiple Devices That Use a Single Crystal section or the Power-Up Procedure for Systems with Multiple Devices That Use Clock Generated from Microcontroller section to ensure that the ADE7912/ADE7913 devices function appropriately.

The configuration of an energy meter using four ADE7912/ADE7913 devices is similar, shown in Figure 36. The microcontroller uses an additional I/O pin, CS\_N, to generate the SPI CS signal to the ADE7912/ADE7913 device that is monitoring the neutral current.

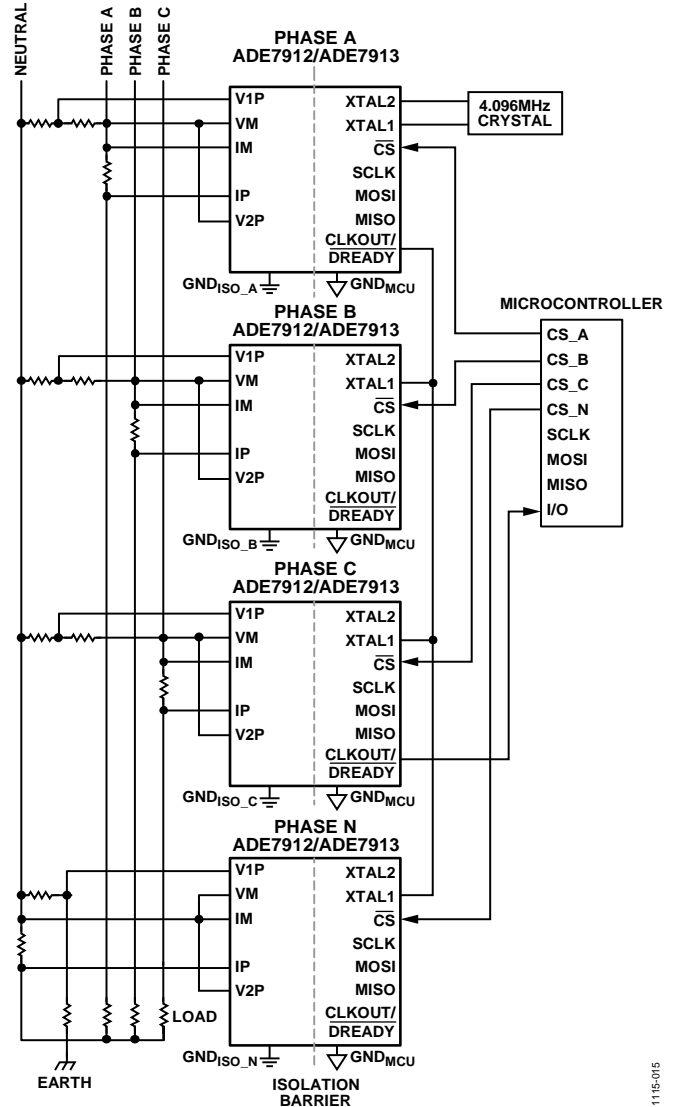


Figure 36. 3-Phase Energy Meter Using Four ADE7912/ADE7913 Devices



Figure 37 shows an energy meter using two ADE7912/ADE7913 devices in a delta configuration. The meter ground is on the Phase B line. One ADE7912/ADE7913 device measures Phase A current and Phase A to Phase B voltage. A second ADE7912/ADE7913 device measures Phase C current and Phase C to Phase B voltage. The system microcontroller computes the Phase B current and the Phase A to Phase C voltage.

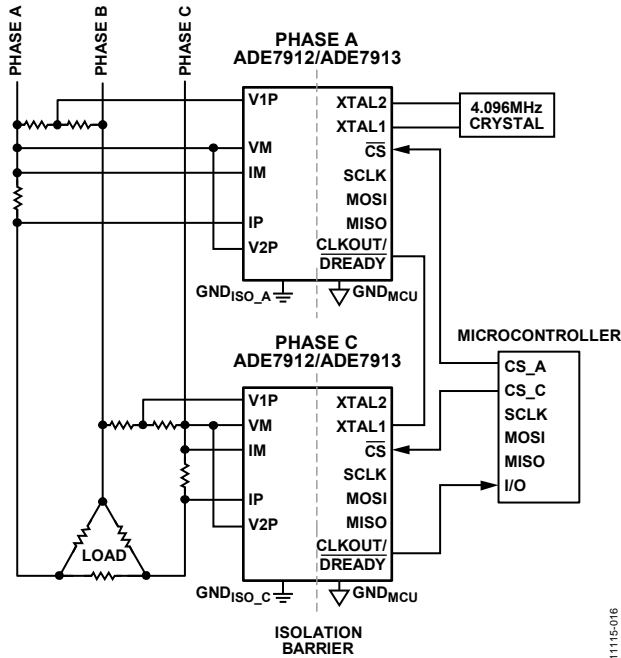


Figure 37. 3-Phase Meter Using Two ADE7912/ADE7913 Devices in Delta Configuration

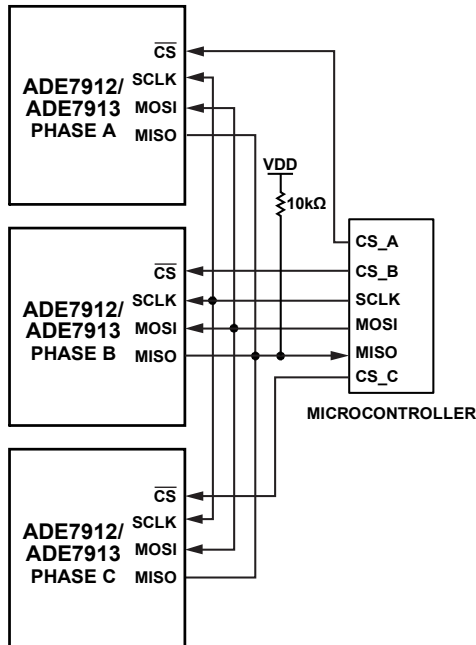


Figure 38. SPI Connections Between Three ADE7912/ADE7913 Devices and a Microcontroller

### ADE7912/ADE7913 CLOCK

Provide a digital clock signal at the XTAL1 pin to clock the ADE7912/ADE7913. The frequency at which the ADE7912/ADE7913 are clocked at XTAL1 is called CLKIN. The ADE7912/ADE7913 are specified for CLKIN = 4.096 MHz, but frequencies between 3.6 MHz and 4.21 MHz are acceptable.

Alternatively, a 4.096 MHz crystal with a typical drive level of 0.5 mW and an equivalent series resistance (ESR) of 20 Ω can be connected across the XTAL1 and XTAL2 pins to provide a clock source for the ADE7912/ADE7913 (see Figure 39).

The total capacitance (TC) at the XTAL1 and XTAL2 pins is

$$TC = C1 + CP1 = C2 + CP2$$

where:

C1 and C2 are the ceramic capacitors between XTAL1 and GND and between XTAL2 and GND, respectively.

CP1 and CP2 are the parasitic capacitances of the wires connecting the crystal to the ADE7912/ADE7913.

The load capacitance (LC) of the crystal is equal to half the TC because it is the capacitance of the series circuit composed by C1 + CP1 and C2 + CP2.

$$LC = \frac{C1 + CP1}{2} = \frac{C2 + CP2}{2} = \frac{TC}{2}$$

Therefore, the value of the C1 and C2 capacitors as a function of the load capacitance of the crystal is

$$C1 = C2 = 2 \times LC - CP1 = 2 \times LC - CP2$$

In the case of the ADE7912/ADE7913, the typical TC of the XTAL1 and XTAL2 pins is 40 pF (see Table 1). Select a crystal with a load capacitance of

$$LC = \frac{TC}{2} = 20 \text{ pF}$$

Assuming the parasitic capacitances, CP1 and CP2, are equal to 20 pF, select Capacitors C1 and C2 equal to 20 pF.

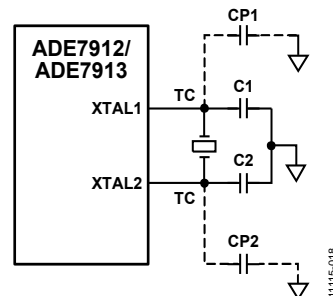


Figure 39. Crystal Circuitry

**SPI-COMPATIBLE INTERFACE**

The SPI of the ADE7912/ADE7913 is the slave of the communication and consists of four pins: SCLK, MOSI, MISO, and CS. The serial clock for a data transfer is applied at the SCLK logic input. All data transfer operations synchronize to the serial clock. Data shifts into the ADE7912/ADE7913 at the MOSI logic input on the falling edge of SCLK, and the ADE7912/ADE7913 sample the data on the rising edge of SCLK. Data shifts out of the ADE7912/ADE7913 at the MISO logic output on the falling edge of SCLK and can be sampled by the master device on the rising edge of SCLK. The most significant bit of the word is shifted in and out first. The maximum and minimum serial clock frequencies supported by this interface are 5.6 MHz and 250 kHz, respectively. MISO stays in high impedance when no data is transmitted from the ADE7912/ADE7913.

At power-up or during hardware or software reset, the microcontroller reads the STATUS0 register to detect when Bit 0 (RESET\_ON) clears to 0. Pull the MISO pin high using a 10 kΩ resistor to ensure the moment when RESET\_ON bit becomes 0 is identified. See Figure 38 for details of the connections between the SPI ports of three ADE7912/ADE7913 devices and a microcontroller containing an SPI interface.

The CS logic input is the chip select input. Drive the CS input low for the entire data transfer operation. Bringing CS high during a data transfer operation leaves the ADE7912/ADE7913 register that is the object of the data transfer unaffected, but aborts the transfer and places the serial bus in a high impedance state. A new transfer can then be initiated by returning the CS logic input to low.

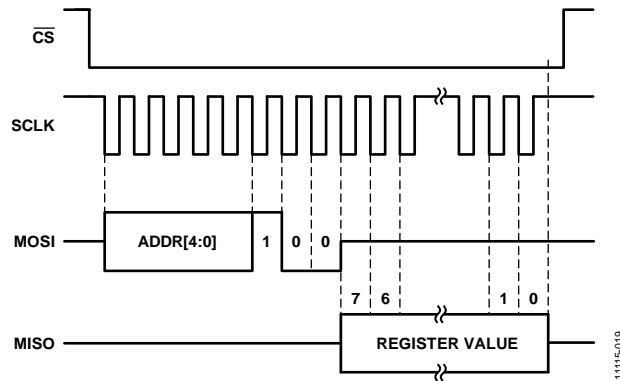


Figure 40. SPI Read Operation of an 8-Bit Register

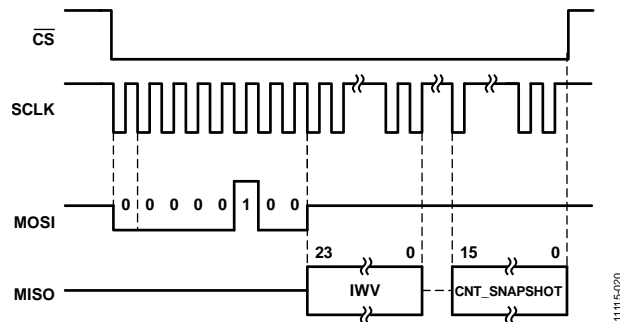


Figure 41. SPI Read Operation in Burst Mode

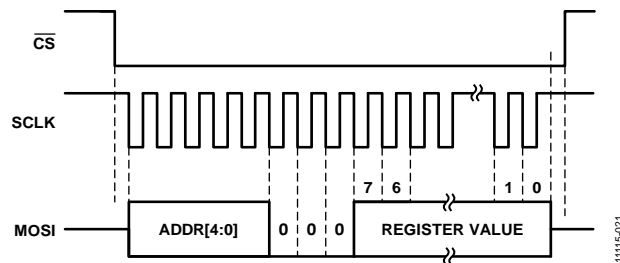


Figure 42. SPI Write Operation

### SPI Read Operation

The read operation using the ADE7912/ADE7913 SPI interface is initiated when the master sets the  $\overline{\text{CS}}$  pin low and begins sending one command byte on the MOSI line. The master places data on the MOSI line starting with the first high to low transition of SCLK.

The bit composition of the command byte is shown in Table 11. Bits[1:0] are don't care bits, and they can have any value. The examples presented throughout this section show them set to 00. Bit 2 (READ\_EN) determines the type of the operation. For a read, READ\_EN must be set to 1. For a write, READ\_EN must be cleared to 0. Bits[7:3] (ADDR) represent the address of the register to be read or written.

The ADE7912/ADE7913 SPI samples data on the low to high transitions of SCLK. After the ADE7912/ADE7913 device receives the last bit of the command byte on a low to high transition of SCLK, it begins to transmit the contents on the MISO line when the next SCLK high to low transition occurs; thus, the master can sample the data on a low to high SCLK transition. After the master receives the last bit, it sets the  $\overline{\text{CS}}$  and SCLK lines high and the communication ends. The data lines, MOSI and MISO, go into a high impedance state. Figure 40 shows an 8-bit register read operation; 16-bit and 32-bit registers are read in the same manner.

**Table 11. Command Byte for SPI Read/Write Operations**

| Bit Location | Bit Name | Description  |
|--------------|----------|--|
| 1:0          | Reserved | These bits can have any value.   |
| 2            | READ_EN  | Set this bit to 1 if an SPI read operation is executed. Clear this bit to 0 if an SPI write operation is executed. |
| 7:3          | ADDR     | Address of the register to be read or written.   |

### SPI Read Operation in Burst Mode

All ADE7912/ADE7913 output registers (IWV, V1WV, V2WV, ADC\_CRC, STATUS0, and CNT\_SNAPSHOT) can be read in one of two ways: one register at a time (see the SPI Read Operation section) or together in burst mode. Burst mode is initiated when the master sets the  $\overline{\text{CS}}$  pin low and begins sending the command byte (see Table 11) on the MOSI line with Bits[7:3] (ADDR) set to the IWV register address, 00000. This means a command byte set to 0x04. The master places data on the MOSI line starting with the first high to low transition of SCLK. The SPI of the ADE7912/ADE7913 samples data on the low to high transitions of SCLK. After the ADE7912/ADE7913 device receives the last bit of the command byte on a low to high transition of SCLK, it begins to transmit the 24-bit IWV register on the MISO line when the next SCLK high to low transition occurs; thus, the master can sample the data on a low to high SCLK transition. After the master receives the last bit of the IWV register, the ADE7912/ADE7913 device sends V1WV, followed by V2WV, ADC\_CRC, STATUS0, and CNT\_SNAPSHOT.

The master may set the  $\overline{\text{CS}}$  and SCLK lines high at any time to end the communication. The data lines, MOSI and MISO, go into a high impedance state. See Figure 41 for details of the SPI read operation in burst mode.

If a register does not need to be read, for example, the 16-bit CNT\_SNAPSHOT register, the master sets the  $\overline{\text{CS}}$  and SCLK lines high after the STATUS0 register is received.

If the IWV register, for example, is not required, but V1WV is, set the ADDR bits to the V1WV address, 00001, in the command byte, and execute the burst mode operation.

### SPI Write Operation

The SPI write operation initiates when the master sets the  $\overline{\text{CS}}$  pin low and begins sending one command byte (see Table 11). Bit 2 (READ\_EN) must be cleared to 0. The master places data on the MOSI line starting with the first high to low transition of SCLK. The SPI of the ADE7912/ADE7913 samples data on the low to high transitions of SCLK. Next, the master sends the 8-bit value of the register without losing any SCLK cycles. After the last bit transmits, at the end of the SCLK cycle, the master sets the  $\overline{\text{CS}}$  and SCLK lines high and the communication ends. The data lines, MOSI and MISO, go into a high impedance state. See Figure 42 for details of the SPI write operation.

Note that the SPI write operation can execute 8-bit writes only. The 16-bit synchronization counter register (composed of COUNTER0 and COUNTER1) is written by executing the write operation twice: the less significant byte is written first, followed by the most significant byte. See the Synchronizing Multiple ADE7912/ADE7913 Devices section for details on the functionality controlled by the synchronization counter register.

Because the ADE7912/ADE7913 do not need to acknowledge a write command in any way, this operation can be broadcast to multiple ADE7912/ADE7913 devices when the same register must be initialized with the same value.

After executing a write operation, it is recommended to read back the register to ensure that it was initialized correctly.

**SYNCHRONIZING MULTIPLE ADE7912/ADE7913 DEVICES**

The ADE7912/ADE7913 allow the user to sample all currents and voltages simultaneously and to provide coherent ADC output samples, which is a highly desired feature in polyphase metering systems. The electromagnetic interference (EMI) reduction scheme managed by the EMI\_CTRL register (see the DC-to-DC Converter section for details) requires that the ADE7912/ADE7913 provide coherent samples.

The ADE7912/ADE7913 in Polyphase Energy Meters section describes how a polyphase energy meter containing multiple ADE7912/ADE7913 devices can use one crystal to clock all the ADE7912/ADE7913 devices. At power-up, only one ADE7912/ADE7913 device is clocked from the crystal, as the other devices are set to receive the clock from the CLKOUT/DREADY pin of the first ADE7912/ADE7913 device. This pin has DREADY functionality enabled by default. In Figure 34, Figure 36, and Figure 37, the ADE7912/ADE7913 device on Phase A is clocked from the crystal, and the CLKOUT/DREADY pin generates the DREADY signal. The other ADE7912/ADE7913 devices are clocked by the DREADY signal because the CLKOUT signal has not yet been received by their XTAL1 pins. The microcontroller enables CLKOUT functionality when Bit 0 (CLKOUT\_EN) is set to 1 in the CONFIG register. This operation ensures that the other ADE7912/ADE7913 devices in the system receive the same clock as the ADE7912/ADE7913 on Phase A and that all ADCs within all ADE7912/ADE7913 devices in the system sample data at the same exact moment.

As an alternative to using one crystal, the microcontroller can generate a clock signal to the XTAL1 pins of every ADE7912/ADE7913, ensuring precise ADC sampling synchronization (see Figure 35).

To configure all ADE7912/ADE7913 devices in an energy meter to provide coherent ADC output samples, that is, samples obtained in the same output cycle, all ADE7912/ADE7913 devices must have the same ADC output frequency and the outputs must be synchronized. Bits[5:4] (ADC\_FREQ) in the CONFIG register select the ADC output frequency; therefore, they must be initialized to the same value (see the ADC Output Values section for more details).

To synchronize the ADC outputs, that is, to set all ADE7912/ADE7913 devices to generate ADC outputs at the same exact moment (after power-up), the microcontroller must broadcast a write to the 8-bit SYNC\_SNAP register with the value 0x01. All ADE7912/ADE7913 devices then start a new ADC output period simultaneously when Bit 0 (sync) of the SYNC\_SNAP register is written. The sync bit clears itself to 0 after one CLKIN cycle.

As shown in Figure 34, Figure 36, and Figure 37, the CLKOUT/DREADY pin of one ADE7912/ADE7913 is connected to an I/O input of the microcontroller. This ADE7912/ADE7913 device has Bit 0 (CLKOUT\_EN) in the CONFIG register set to the default value, 0, to enable the DREADY functionality. When the ADC output period starts, the CLKOUT/DREADY pin goes low for 64 CLKIN cycles (15.625 μs when CLKIN = 4.096 MHz), signaling that all ADC outputs from all ADE7912/ADE7913 devices are available and the microcontroller must start reading them. It is recommended that the SPI read in burst mode ensure that all data is read in the shortest amount of time.

The ADE7912/ADE7913 contain an internal 12-bit counter that functions at the CLKIN frequency. The counter is synchronized with the ADC output period and the CLKOUT/DREADY pin. When a new output period starts, the counter starts decreasing from a value determined by Bits[5:4] (ADC\_FREQ) in the CONFIG register. Table 12 shows these values.

**Table 12. Counter Initial Values as a Function of ADC\_FREQ Bits**

| Bits[5:4] (ADC_FREQ) in CONFIG Register | ADC Output Frequency (kHz) | Counter C <sub>0</sub> Initial Value (CLKIN = 4.096 MHz) | Counter C <sub>0</sub> Initial Value as a Function of CLKIN |
|---|----------------------------|--|---|
| 00                                      | 8                          | 511  | $\frac{CLKIN}{8000} - 1$                                    |
| 01                                      | 4                          | 1023   | $\frac{CLKIN}{4000} - 1$                                    |
| 10                                      | 2                          | 2047   | $\frac{CLKIN}{2000} - 1$                                    |
| 11                                      | 1                          | 4095   | $\frac{CLKIN}{1000} - 1$                                    |

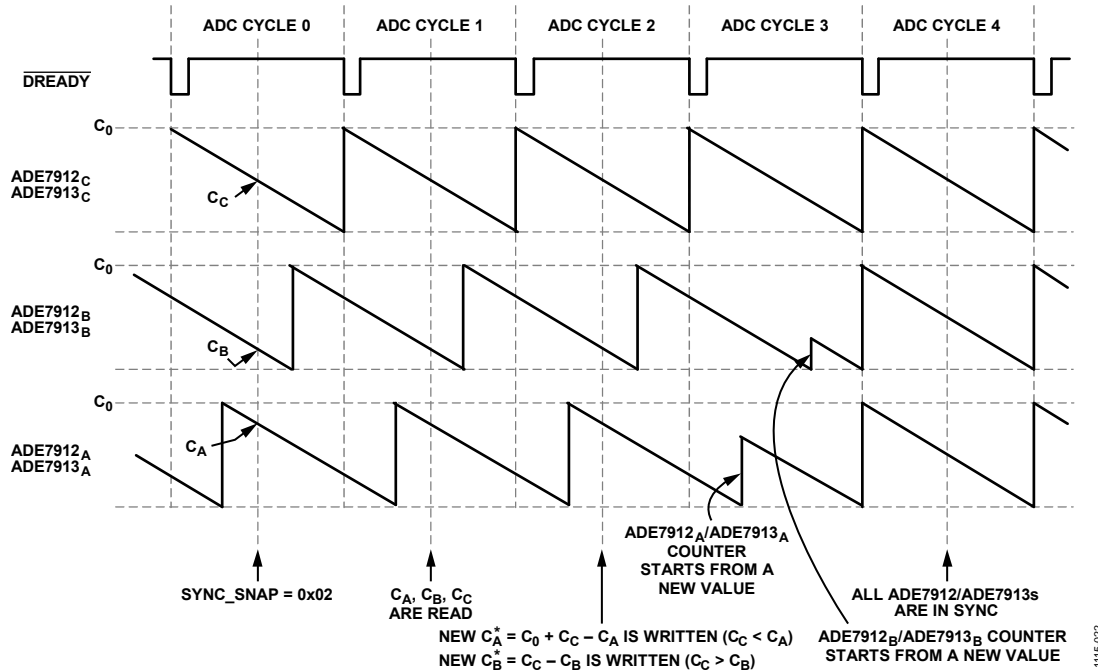


Figure 43. Synchronizing Phase A and Phase B ADE7912/ADE7913 Devices with Phase C ADE7912/ADE7913

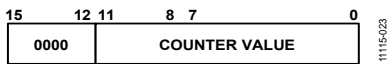


Figure 44. CNT\_SNAPSHOT Register

The 8-bit SYNC\_SNAP register latches the value of the counter when it is written with 0x02, that is, Bit 1 (snap) set to 1. A broadcast write to all ADE7912/ADE7913 devices ensures that all the counters of every ADE7912/ADE7913 are latched at the same moment. The snap bit clears itself to 0 after one CLKIN cycle. The values of the counters offer a measure of the ADC output synchronization across all ADE7912/ADE7913 devices. Ideally, the values must be perfectly equal, indicating that all ADE7912/ADE7913 devices are fully synchronized. In reality, due to the uncertainty between the SPI clock generated by the microcontroller and the ADE7912/ADE7913 CLKIN, a ±1 count difference between counters is acceptable. The 12-bit counter is accessed via the 16-bit CNT\_SNAPSHOT register (see Figure 44).

If the internal counter of one ADE7912/ADE7913 device does not have a value correlated with the values of the counters of the other ADE7912/ADE7913 devices, this means that the ADC outputs of one phase are no longer synchronized with the ADC outputs from the other phases. The ADE7912/ADE7913 provide two options to resynchronize all the ADE7912/ADE7913 devices. One option is to broadcast a write to the 8-bit SYNC\_SNAP register with the value 0x01. This action immediately forces all ADE7912/ADE7913 devices to start an ADC output cycle simultaneously. However, all phases present ADC output distortions of various degrees, a function of when a SYNC\_SNAP = 0x01 write is executed within the current output period. Therefore, it is recommended that this command be executed at power-up or after a hardware or software reset.

The other option is to compute a new starting value for the internal counter of the ADE7912/ADE7913 device that is out of synchronization. This value forces the internal counter to start a new ADC output cycle, counting down from it, and end simultaneously with the other counters of the other ADE7912/ADE7913 devices. The 12-bit value is stored in two 8-bit registers, COUNTER1 and COUNTER0 (see Figure 45). COUNTER0 contains the least significant eight bits and must be written first. COUNTER1 contains the four most significant bits and must be written after COUNTER0. The advantage of this option compared to writing SYNC\_SNAP = 0x01 is that only the ADC outputs of out of sync phases are affected. The other phases already in synchronization remain unaffected. As a general rule, it is recommended that the synchronization of the ADE7912/ADE7913 devices be verified every couple of seconds.

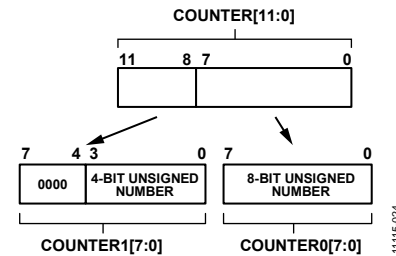


Figure 45. Counter Start Value Communicated Using Two 8-Bit Registers

Consider the example shown in Figure 43: the Phase A, Phase B, and Phase C counters of three ADE7912/ADE7913 devices are shown for the meter configuration shown in Figure 34. All three phases are out of synchronization. It is desirable to synchronize the Phase A and Phase B ADE7912/ADE7913 devices with the Phase C ADE7912/ADE7913, which is considered the reference because it generates the DREADY signal.

When the  $\overline{\text{DREADY}}$  active low pulses are generated, execute the following steps immediately after the output registers (IWV, V1WV, V2WV, ADC\_CRC, STATUS0, and CNT\_SNAPSHOT) are read:

1. ADC Cycle 0. Disable the protection of the configuration registers by setting the lock register to 0x9C (see the Protecting the Integrity of Configuration Registers section).  
Set the 8-bit register SYNC\_SNAP to 0x02 using a write broadcast command. The  $C_A$ ,  $C_B$ , and  $C_C$  values of the three counters are latched and stored in the CNT\_SNAPSHOT register of each device.
2. ADC Cycle 1. The ADE7912/ADE7913 counters ( $C_A$ ,  $C_B$ , and  $C_C$ ) latched at Cycle 0 are read in burst mode from the CNT\_SNAPSHOT register together with the IWV, V1WV, V2WV, ADC\_CRC, and STATUS0 registers.
3. ADC Cycle 2. Because  $C_A > C_C$ , the following equation can be written:

$$C_C + C_0 = C_A + C_A^*$$

where  $C_A^*$  is the new value that must be determined.

The new initial counter value,  $C_A^* = C_C + C_0 - C_A$ , is written into the Phase A ADE7912/ADE7913 (labeled ADE7912<sub>A</sub>/ADE7913<sub>A</sub> in Figure 43) in two consecutive 8-bit writes to the COUNTER0 and COUNTER1 registers. The Phase A ADE7912/ADE7913 device is in synchronization with the Phase C ADE7912/ADE7913 starting with ADC Cycle 4.

Because  $C_B < C_C$ , the following equation can be written:

$$C_C = C_B + C_B^*$$

where  $C_B^*$  is the new value that must be determined.

The new initial counter value,  $C_B^* = C_C - C_B$ , is written into the Phase B ADE7912/ADE7913 in two consecutive 8-bit writes to the COUNTER0 and COUNTER1 registers. Phase B ADE7912/ADE7913 is in synchronization with the Phase C ADE7912/ADE7913 starting with ADC Cycle 4.

As demonstrated, if the latched value of the counter on the reference Phase X is  $C_X$  and the initial value of the counter is  $C_0$  (see Table 12), the new value of the counter on Phase Y that is required to bring Phase Y in synchronization to Phase X is as follows:

$$\text{If } C_Y > C_X, \text{ then } C_Y^* = C_X + C_0 - C_Y \quad (10)$$

$$\text{If } C_Y \leq C_X, \text{ then } C_Y^* = C_X - C_Y \quad (11)$$

4. ADC Cycle 3. The Phase A and Phase B ADE7912/ADE7913 counters start counting down based on the COUNTER1 and COUNTER0 values written during ADC Cycle 2.
5. ADC Cycle 4. All ADE7912/ADE7913 devices generate ADC outputs synchronously. To verify this, as a good programming practice, read the counters again so that the SYNC\_SNAP = 0x02 command is executed one more time.
6. ADC Cycle 5. The ADE7912/ADE7913 counters ( $C_A$ ,  $C_B$ , and  $C_C$ ), latched after the SYNC\_SNAP = 0x02 command, are stored in the CNT\_SNAPSHOT register and are read in burst mode. They show the same value,  $\pm 1$  LSB, which means  $\pm 1$  CLKIN cycle ( $\pm 244$  ns for CLKIN = 4.096 MHz).  
$$C_C = C_A \pm 1 = C_B \pm 1$$
7. Reenable protection of the configuration registers by setting the lock register to 0xCA (see the Protecting the Integrity of Configuration Registers section).

The  $\pm 1$  LSB error may appear because CLKIN, the internal clock of the ADE7912/ADE7913, is asynchronous to the serial port clock generated by the microcontroller and write the COUNTER1 and COUNTER0 values during ADC Cycle 2.

The EMI reduction scheme managed by the EMI\_CTRL register (see the DC-to-DC Converter section for details) requires that the ADE7912/ADE7913 devices of the meter system provide coherent samples. This EMI reduction scheme ensures that one ADE7912/ADE7913 device does not generate the PWM signals required to manage the dc-to-dc converter at the same moment as another ADE7912/ADE7913. The  $\pm 1$  LSB error in the counter synchronization means that at least two ADE7912/ADE7913 devices generate PWM signals simultaneously for one CLKIN cycle and the EMI reduction scheme may be affected. Although there are no guarantees, both synchronization procedures outlined in this section can be repeated until  $C_C = C_A = C_B$ .

## POWER MANAGEMENT

### DC-TO-DC CONVERTER

The dc-to-dc converter section of the [ADE7912/ADE7913](#) works on principles that are common to most modern power supply designs. VDD power is supplied to an oscillating circuit that drives the primary side of a chip scale air core transformer. Power is transferred to the secondary side, where it is rectified to a 2.8 V dc voltage. This voltage is then supplied to the ADC side section through a 2.5 V LDO regulator.

The internal dc-to-dc converter state of the [ADE7912/ADE7913](#) is controlled by the input, VDD. In normal operation mode, maintain VDD between 2.97 V and 3.63 V.

The block diagram of the isolated dc-to-dc converter is shown in Figure 46. The [ADE7912/ADE7913](#) primary supply voltage VDD input supplies an alternative current (ac) source. The ac signal passes through a chip scale air core transformer, and it is transferred to the secondary side. A rectifier then produces the isolated power supply, VDD<sub>ISO</sub>. Using another chip scale air core transformer, a feedback circuit measures VDD<sub>ISO</sub> and passes the information back into the VDD domain, where a PWM control block controls the ac source to maintain VDD<sub>ISO</sub> at 2.8 V.

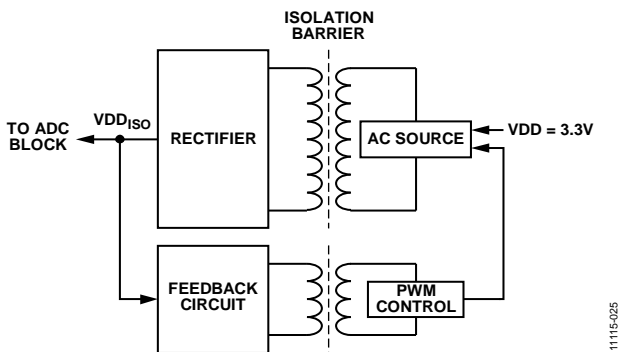


Figure 46. Isolated DC-to-DC Converter Block Diagram

The PWM control block works at a CLKIN/4 (1.024 MHz) clock, and every half period generates a PWM pulse to the ac source (see Figure 47).

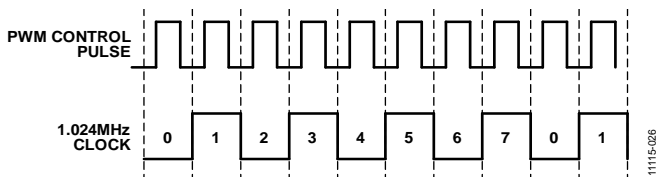


Figure 47. PWM Control Block Generates Pulses Based on a 1.024 MHz Clock

Every time a PWM pulse is generated, the ac source transmits very high frequency signals across the isolation barrier to allow efficient power transfer through the small chip scale transformers. This transfer creates high frequency currents that can propagate in the circuit board ground and power planes, causing edge and dipole radiation. The Layout Guidelines section describes the best PCB layout approach to manage the EMI issues. In addition to the layout approach, the 8-bit EMI\_CTRL register helps to reduce the emissions generated by the [ADE7912/ADE7913](#) dc-to-dc converter.

The clock that manages the PWM control block is divided into eight periodical slots, 0 to 7, as shown in Figure 47. Each bit of the EMI\_CTRL register controls one slot: Bit 0 controls Slot 0, Bit 1 controls Slot 1, ..., Bit 7 controls Slot 7. When the bit is 1, the default value, the PWM control block generates a pulse. When the bit is 0, the PWM control block does not generate a pulse. The recommendation is to have only four of these bits set to 1 while keeping the others at 0 for every [ADE7912/ADE7913](#) used in the system to further reduce the emissions generated by the [ADE7912/ADE7913](#) dc-to-dc converter.

If the 3-phase energy meter contains four [ADE7912/ADE7913](#) devices, the [ADE7912/ADE7913](#) devices must first be synchronized (see the Synchronizing Multiple ADE7912/ADE7913 Devices section). Then the EMI\_CTRL register of every [ADE7912/ADE7913](#) must be initialized. The dc-to-dc converters of only two [ADE7912/ADE7913](#) devices generate EMI at the same moment, lowering the overall EMI level of the meter. Initialize the EMI\_CTRL register of the Phase A [ADE7912/ADE7913](#) (EMI\_CTRL<sub>A</sub>) to 0x55, EMI\_CTRL<sub>B</sub> to 0xAA, EMI\_CTRL<sub>C</sub> to 0x55, and EMI\_CTRL<sub>N</sub> to 0xAA (see Figure 48).

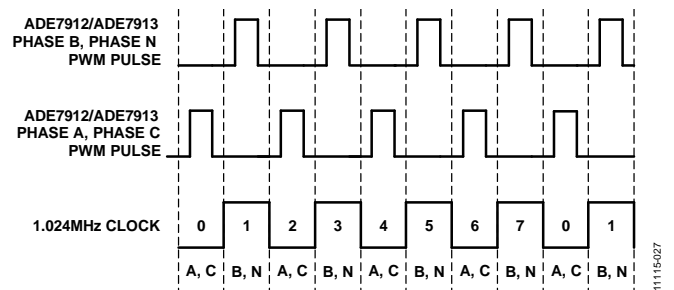


Figure 48. EMI Management of a 3-Phase Meter with Four [ADE7912/ADE7913](#) Devices

If the system contains one, two, or three [ADE7912/ADE7913](#) devices, set four bits to 1 in the EMI\_CTRL register according to the approach shown in Figure 48, while leaving some of the slots unused.

**MAGNETIC FIELD IMMUNITY**

The ADE7912/ADE7913 are immune to dc magnetic fields because they use air core transformers. The limitation on the ADE7912/ADE7913 ac magnetic field immunity is set by the condition in which the induced voltage in the transformer receiving coil is sufficiently large to either falsely set or reset the decoder. The following analysis defines the conditions under which this can occur. The 3.3 V operating condition is examined because it is the nominal supply of the ADE7912/ADE7913.

The pulses at the transformer output have an amplitude greater than 1.0 V. The decoder has a sensing threshold at about 0.5 V, thus establishing a 0.5 V margin in which induced voltages can be tolerated. The voltage induced across the receiving coil is given by

$$V = \left( -\frac{dB}{dt} \right) \sum_{n=1}^N \pi r_n^2 \tag{12}$$

where:

B is the ac magnetic field:  $B(t) = B \times \sin(\omega t)$ .

N is the number of turns in the receiving coil.

$r_n$  is the radius of the n<sup>th</sup> turn in the receiving coil.

Given the geometry of the receiving coil in the ADE7912/ADE7913 and an imposed requirement that the induced voltage,  $V_{THR}$ , be at most 50% of the 0.5 V margin at the decoder, a maximum allowable external magnetic field, B, is calculated (see Equation 13 and Figure 49).

$$B = \frac{V_{THR}}{2\pi f \times \sum_{n=1}^N \pi r_n^2} \tag{13}$$

where:

f is the frequency of the magnetic field.

B is the amplitude of the ac magnetic field.

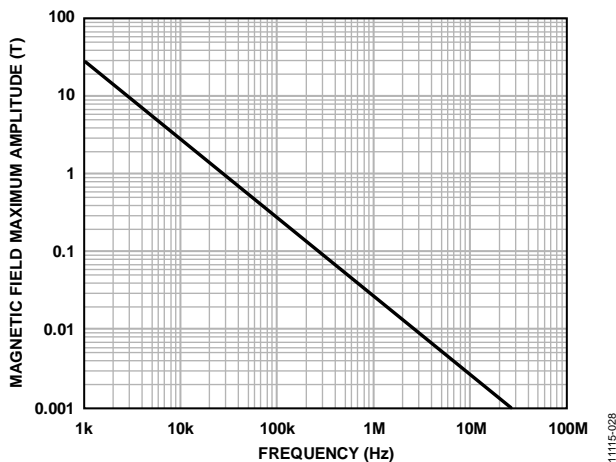


Figure 49. Maximum Allowable External Magnetic Field

For example, at a magnetic field frequency of 10 kHz, the maximum allowable magnetic field of 2.8 T induces a voltage of 0.25 V at the receiving coil. This voltage is about 50% of the sensing threshold and does not cause a faulty output transition. Similarly, if such an event occurs during a transmitted pulse and is of the worst-case polarity, it reduces the received pulse from more than 1.0 V to 0.75 V, still well above the 0.5 V sensing threshold of the decoder.

The preceding magnetic field values correspond to specific current magnitudes at given distances from the ADE7912/ADE7913 transformers.

$$I = \frac{B}{\mu_0} \times 2\pi d = \frac{V \times d}{\mu_0 \times f \times \sum_{n=1}^N \pi r_n^2} \tag{14}$$

where  $\mu_0$  is  $4\pi \times 10^{-7}$  H/m, the magnetic permeability of the air.

Figure 50 expresses these allowable current magnitudes as a function of frequency for selected distances. As shown in Figure 50, the ADE7912/ADE7913 are extremely immune and can be affected only by extremely large currents operated at high frequency very close to the component. For the 10 kHz example previously noted, a current with an amplitude of 69 kA placed 5 mm from the ADE7912/ADE7913 is required to affect component operation.

Note that at combinations of strong magnetic field and high frequency, any loops formed by PCB traces can induce error voltages large enough to trigger the thresholds of succeeding circuitry. Take care in the layout of such traces to avoid this possibility (see the Layout Guidelines section).

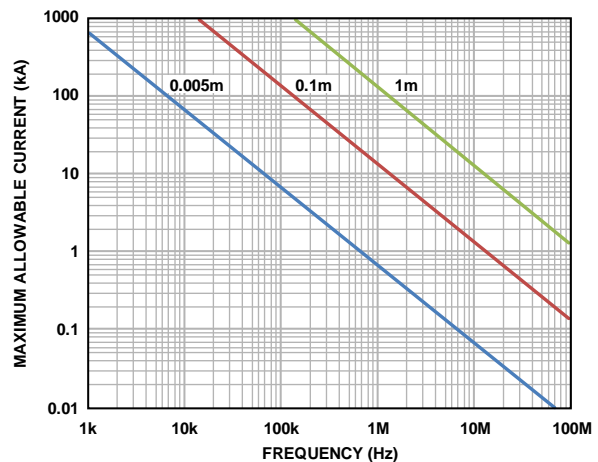


Figure 50. Maximum Allowable Current for Various Current-to-ADE7912/ADE7913 Spacings



**POWER-UP AND INITIALIZATION PROCEDURES**

At power-up or after a hardware or software reset, the following steps must be executed for a microcontroller managing a system formed by one or multiple ADE7912/ADE7913 devices.

**Power-Up Procedure for Systems with a Single ADE7912/ADE7913**

For one standalone ADE7912/ADE7913 device managed by a microcontroller, the power-up procedure is as follows (see Figure 51):

1. Connect a crystal between the XTAL1 and XTAL2 pins.
2. Supply VDD to the ADE7912/ADE7913 device. To ensure that the ADE7912/ADE7913 device starts functioning correctly, the supply must reach 3.3 V – 10% in less than 23 ms from approximately a 2.6 V level. The ADE7912/ADE7913 device starts to function.
3. The dc-to-dc converter powers up and supplies the isolated side of the ADE7912/ADE7913. The Σ-Δ modulators become functional. This process takes approximately 100 ms to execute when the recommended capacitors on the VDD<sub>ISO</sub>, LDO, and REF pins described in Table 9 are used. After this time, the isolated side of the ADE7912/ADE7913 is fully functional.
4. To determine when the ADE7912/ADE7913 device is ready to accept commands, read the STATUS0 register until Bit 0 (RESET\_ON) is cleared to 0. This happens approximately 20 ms after the ADE7912/ADE7913 start to function and indicates that the nonisolated side of the ADE7912/ADE7913 is fully functional using the default settings.

5. Initialize the CONFIG register and the EMI\_CTRL emissions control register.
6. Set the lock register to 0xCA to protect the user accessible and internal configuration registers. See the Protecting the Integrity of Configuration Registers section.
7. When the ADC conversion data is available, the ADE7912/ADE7913 device begins generating a signal that is active low at the CLKOUT/DREADY pin for 64 CLKIN cycles (15.625 μs for CLKIN = 4.096 MHz). DREADY functionality is enabled by default at the CLKOUT/DREADY pin.

The microcontroller reads the IWV, V1WV, V2WV, ADC\_CRC, and STATUS0 registers in SPI burst mode (see the SPI Read Operation in Burst Mode section for more information).

Note that this power-up procedure also applies in the same way to systems that have multiple ADE7912/ADE7913 devices, each clocked from the own crystal. Every ADE7912/ADE7913 device is powered up and started independently.

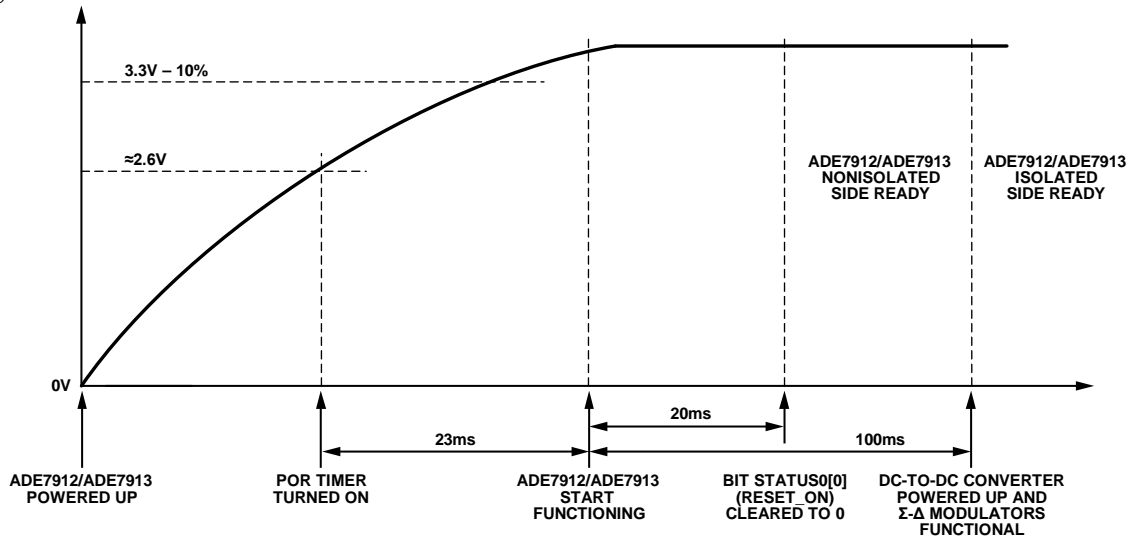


Figure 51. Power-Up Procedure for Systems with One or Multiple ADE7912/ADE7913 Devices, Each Clocked from The Crystal

11115-030

### Power-Up Procedure for Systems with Multiple Devices That Use a Single Crystal

For the polyphase energy meters shown in Figure 34, Figure 36, and Figure 37, in which one single crystal is used, the power-up procedure is as follows (see Figure 52):

1. Supply VDD to the ADE7912/ADE7913 devices. To ensure that the Phase A ADE7912/ADE7913 (labeled ADE7912<sub>A</sub>/ADE7913<sub>A</sub> in Figure 52) device starts functioning correctly, the supply must reach 3.3 V – 10% in less than 23 ms from approximately a 2.6 V level. The ADE7912<sub>A</sub>/ADE7913<sub>A</sub> device is clocked by the 4.096 MHz crystal and starts functioning. The other ADE7912/ADE7913 devices are not clocked yet.
2. The dc-to-dc converter powers up and supplies the isolated side of the ADE7912<sub>A</sub>/ADE7913<sub>A</sub>. The  $\Sigma$ - $\Delta$  modulators become functional. This process takes approximately 100 ms to execute when the recommended capacitors on the VDD<sub>ISO</sub>, LDO, and REF pins described in Table 9 are used. After this time, the isolated side of the ADE7912<sub>A</sub>/ADE7913<sub>A</sub> is fully functional.
3. To determine when the ADE7912<sub>A</sub>/ADE7913<sub>A</sub> device is ready to accept commands, the STATUS0 register is read until Bit 0 (RESET\_ON) is cleared to 0. This happens approximately 20 ms after the ADE7912<sub>A</sub>/ADE7913<sub>A</sub> start to function and indicates that the nonisolated side of the ADE7912<sub>A</sub>/ADE7913<sub>A</sub> is fully functional using the default settings.
4. Initialize the CONFIG register of the ADE7912<sub>A</sub>/ADE7913<sub>A</sub> with Bit 0 (CLKOUT\_EN) set to 1. The CLKOUT signal is provided at the CLKOUT/DREADY pin, and the ADE7912/ADE7913 devices on the other phases are now clocked.
5. Initialize EMI\_CTRL, the emissions control register, of the ADE7912<sub>A</sub>/ADE7913<sub>A</sub>.
6. The dc-to-dc converters of the other ADE7912/ADE7913 devices power up and supply their isolated sides. The  $\Sigma$ - $\Delta$  modulators become functional. This process takes approximately 100 ms to execute when the recommended capacitors on the VDD<sub>ISO</sub>, LDO, and REF pins described in Table 9 are used. The isolated sides of the ADE7912/ADE7913 devices are now fully functional.
7. Read the STATUS0 registers of the other ADE7912/ADE7913 devices until Bit 0 (RESET\_ON) is cleared to 0, indicating that their nonisolated sides are fully functional with default settings. This happens approximately 20 ms after the clock signal is provided.
8. Initialize the CONFIG register of all remaining ADE7912/ADE7913 devices. Select one ADE7912/ADE7913 device (Phase C ADE7912/ADE7913 in Figure 34, Figure 36, and Figure 37 examples; labeled ADE7912<sub>C</sub>/ADE7913<sub>C</sub> in Figure 52) and connect the CLKOUT/DREADY pin to an external interrupt I/O pin of the microcontroller. ADE7912<sub>C</sub>/ADE7913<sub>C</sub> must have Bit 0 (CLKOUT\_EN) in the CONFIG register left at the default value of 0 to use the DREADY functionality of the CLKOUT/DREADY pin.
9. Initialize EMI\_CTRL, the emissions control register, of all remaining ADE7912/ADE7913 devices.
10. Execute a SYNC\_SNAP = 0x01 write broadcast to synchronize all the ADE7912/ADE7913 devices of the meter (see the Synchronizing Multiple ADE7912/ADE7913 Devices sections).
11. Execute a lock = 0xCA write broadcast to protect the configuration registers of all ADE7912/ADE7913 devices. See the Protecting the Integrity of Configuration Registers section.
12. Every couple of seconds, disable the protection of the configuration registers, execute a SYNC\_SNAP = 0x02 write broadcast to read the CNT\_SNAPSHOT register of every ADE7912/ADE7913, and verify if resynchronization is necessary. Resynchronize the ADE7912/ADE7913 devices that are out of synchronization (see the Synchronizing Multiple ADE7912/ADE7913 Devices section) and then reenables the protection of the configuration registers.

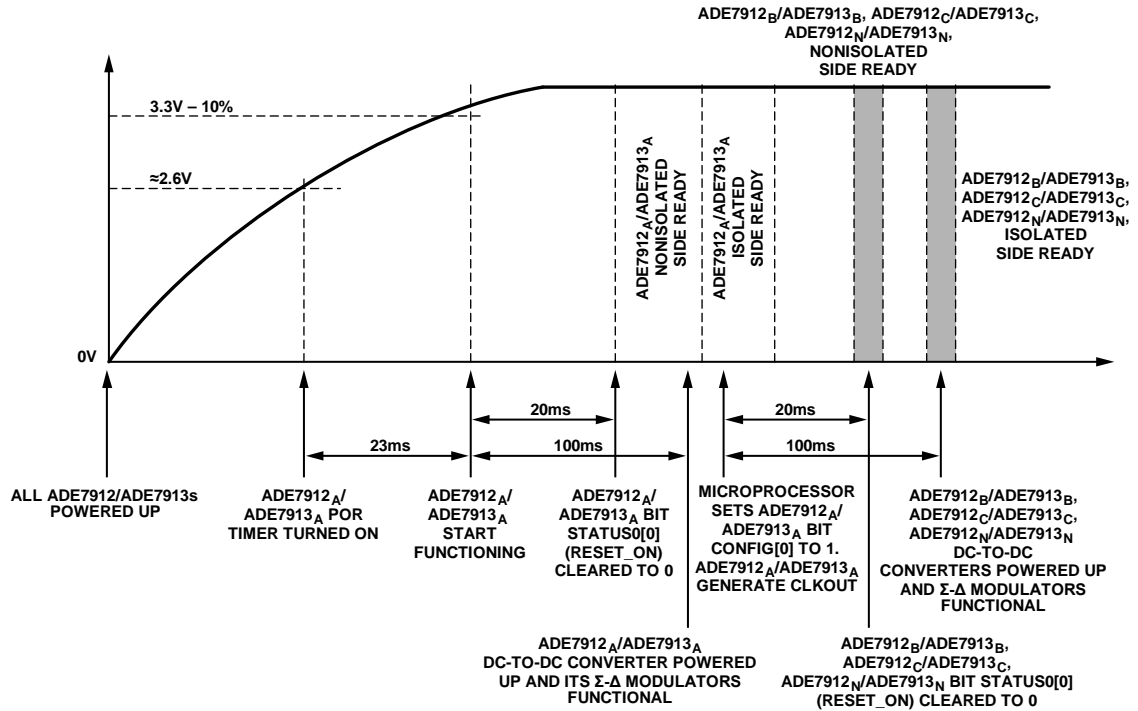


Figure 52. Power-Up Procedure for Systems with Multiple ADE7912/ADE7913 Devices; Only Phase A ADE7912/ADE7913 Are Clocked from a Crystal

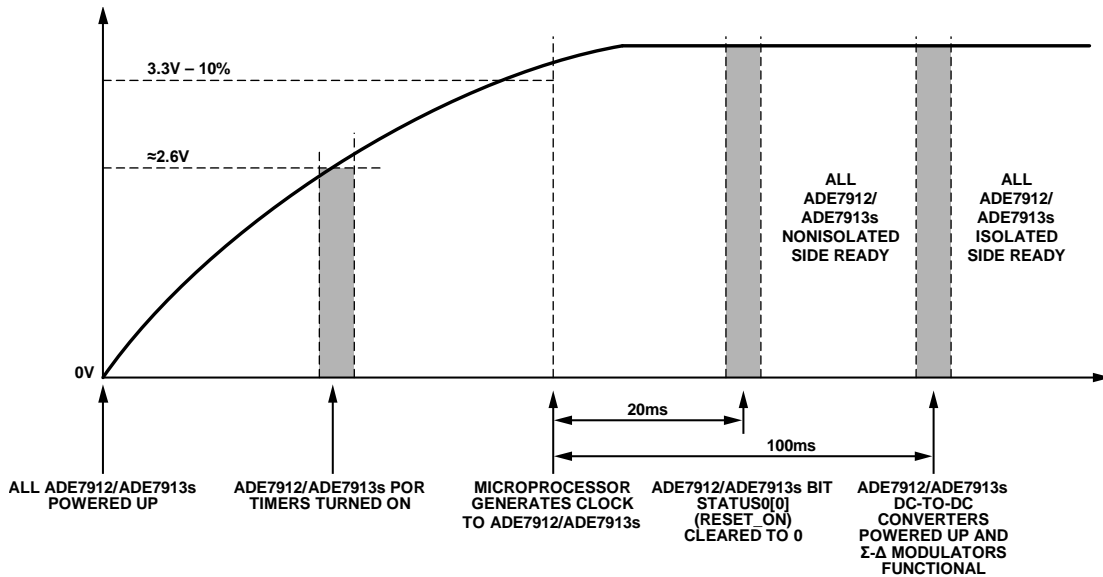


Figure 53. Power-Up Procedure for Systems with Multiple ADE7912/ADE7913 Devices Clocked from a Microcontroller

### Power-Up Procedure for Systems with Multiple Devices That Use Clock Generated from Microcontroller

For polyphase energy meters in which the microcontroller generates the clock signal used by all ADE7912/ADE7913 devices (see Figure 35), the power-up procedure is as follows:

1. Supply VDD to the ADE7912/ADE7913 devices. To ensure that the ADE7912/ADE7913 devices start functioning correctly, the supply must reach 3.3 V – 10% in less than 23 ms from approximately a 2.6 V level.
2. Generate the clock signal from the microcontroller to all ADE7912/ADE7913 devices.
3. The dc-to-dc converters power up and supply the isolated side of the ADE7912/ADE7913 devices. The  $\Sigma$ - $\Delta$  modulators become functional. This process takes approximately 100 ms to execute when the recommended capacitors on the VDD<sub>ISO</sub>, LDO, and REF pins described in Table 9 are used. After this time, the isolated sides of the ADE7912/ADE7913 devices are fully functional.
4. Read the STATUS0 registers of the ADE7912/ADE7913 devices until Bit 0 (RESET\_ON) is cleared to 0, indicating that the nonisolated side of the ADE7912/ADE7913 devices is fully functional with default settings. This happens approximately 20 ms after the clock signal is provided.
5. Initialize the CONFIG register of the ADE7912/ADE7913 devices with Bit 0 (CLKOUT\_EN) cleared to 0 to avoid generating an unnecessary clock at the CLKOUT/DREADY pin. Select one ADE7912/ADE7913 device (Phase C ADE7912/ADE7913 in Figure 35, for example) and connect the CLKOUT/DREADY pin to an external interrupt I/O pin of the microcontroller.
6. Initialize EMI\_CTRL, the emissions control register, of all ADE7912/ADE7913 devices.
7. Execute a SYNC\_SNAP = 0x01 write broadcast to synchronize all the ADE7912/ADE7913 devices of the meter (see the Synchronizing Multiple ADE7912/ADE7913 Devices sections for details).
8. Execute a lock = 0xCA write broadcast to protect the configuration registers of all ADE7912/ADE7913 devices. See the Protecting the Integrity of Configuration Registers section.
9. Every couple of seconds, disable the registers protection, execute a SYNC\_SNAP = 0x02 write broadcast to read the COUNTER1 and COUNTER0 registers of every ADE7912/ADE7913, and verify if resynchronization is necessary. Resynchronize the ADE7912/ADE7913 devices that are out of synchronization (see the Synchronizing Multiple ADE7912/ADE7913 Devices section) and then reenables protection of the configuration registers.

### HARDWARE RESET

The ADE7912/ADE7913 do not have a dedicated reset pin. Instead, while the SCLK pin is receiving the serial clock, the CS and MOSI pins can be kept low by executing an SPI broadcast

write operation in which the lines are kept low for 64 SCLK cycles. This is equivalent to sending eight bytes equal to 0x00 to the ADE7912/ADE7913 to accomplish a hardware reset.

During a hardware reset, all the registers are set to their default values and the dc-to-dc converter is shut down. This procedure can be done simultaneously for all ADE7912/ADE7913 devices in a polyphase energy meter. At the end of the reset period, the ADE7912/ADE7913 clears Bit 0 (RESET\_ON) to 0 in the STATUS0 register. At this point, one of the procedures described in the Power-Up and Initialization Procedures section must be followed to initialize the ADE7912/ADE7913 devices correctly.

### SOFTWARE RESET

Bit 6 (SWRST) in the CONFIG register manages the software reset functionality. The default value of this bit is 0. If this bit is set to 1, the ADE7912/ADE7913 enter the software reset state. In this state, all the internal registers are reset to their default values. The dc-to-dc converter continues to function. When the software reset ends, Bit 6 (SWRST) in the CONFIG register clears automatically to 0, and Bit 0 (RESET\_ON) in the STATUS0 register is cleared to 0. If the configuration registers are protected using a lock = 0xCA register write, first unlock the registers by writing lock = 0x9C and then write to the CONFIG register by setting Bit 6 (SWRST) to 1 to start a software reset. At this point, one of the procedures described in the Power-Up and Initialization Procedures section must be followed to initialize the ADE7912/ADE7913 correctly.

### POWER-DOWN MODE

There are situations in which the ADCs of the ADE7912/ADE7913 do not need to function and it is desirable to lower the current consumption of the device. When set to 1, Bit 2 (PWRDWN\_EN) in the CONFIG register turns off the dc-to-dc converter and shuts down the  $\Sigma$ - $\Delta$  modulators. Although the ADE7912/ADE7913 configuration registers maintain their values, the IWV, V1WV, and V2WV ADC output registers are in an undefined state. If PWRDWN\_EN is cleared to 0, the default value, the dc-to-dc converter is functional and the  $\Sigma$ - $\Delta$  modulators are active.

If the microcontroller generates the clock to all ADE7912/ADE7913 devices (the configuration shown in Figure 35), the current consumption can be further reduced by keeping the XTAL1 pin continuously high or low, practically shutting down the clock. The ADE7912/ADE7913 stop functioning. When the clock is restarted, as a good programming practice, execute a hardware reset to restart the ADE7912/ADE7913.

In systems in which the CLKOUT/DREADY pin of one ADE7912/ADE7913 device clocks other ADE7912/ADE7913 devices (the configuration shown in Figure 34, Figure 36, and Figure 37), lower current consumption of the ADE7912/ADE7913 devices can be achieved by clearing Bit 0 (CLKOUT\_EN) to 0 in the CONFIG register.

## LAYOUT GUIDELINES

For detailed information on the layout guidelines to follow when using the [ADE7912/ADE7913](#), use the [AN-1332 Application Note, Architecting a Direct, 3-Phase Energy Meter with Shunts Using the ADE7912/ADE7913](#).

### ADE7913 EVALUATION BOARD

An evaluation board built upon the [ADE7913](#) allows users to quickly evaluate this IC. It is used in conjunction with the system demonstration platform ([EVAL-SDP-CB1Z](#)).

Order both the [ADE7913](#) evaluation board and the system demonstration platform from the [ADE7913](#) product page to evaluate the [ADE7913](#).

### ADE7912/ADE7913 VERSION

Bits[2:0] (version) in the STATUS1 register identify the version of the [ADE7912/ADE7913](#).

## REGISTER LIST

In Table 13 to Table 20, R means a register can be read, and W means a register can be written. U means an unsigned register, and S means a signed register in twos complement format.

**Table 13. Register List**

| Address          | Register Name | R/W | Bit Length | Type | Default Value | Description  |
|------------------|---------------|-----|------------|------|---------------|--|
| 0x0              | IWV           | R   | 24         | S    | 0x000000      | Instantaneous value of Current I.  |
| 0x1              | V1WV          | R   | 24         | S    | 0x000000      | Instantaneous value of Voltage V1.   |
| 0x2              | V2WV          | R   | 24         | S    | 0x000000      | Instantaneous value of Voltage V2.   |
| 0x3              | Reserved      | R   | 24         | S    | 0x000000      | Reserved. This location always reads 0x000000.   |
| 0x4              | ADC_CRC       | R   | 16         | U    | N/A           | CRC value of IWV, V1WV, and V2WV registers. See the CRC of ADC Output Values section for details.  |
| 0x5              | CTRL_CRC      | R   | 16         | U    | N/A           | CRC value of configuration registers. See the CRC of Configuration Registers for details.  |
| 0x6              | Reserved      | R   | 16         | S    | 0x0000        | Reserved. This location always reads 0x0000.   |
| 0x7              | CNT_SNAPSHOT  | R   | 16         | U    | 0x00          | Snapshot value of the counter used in synchronization operation. See Table 14 and the Synchronizing Multiple ADE7912/ADE7913 Devices section for details.                      |
| 0x8              | CONFIG        | R/W | 8          | U    | 0             | Configuration register. See Table 15 for details.  |
| 0x9              | STATUS0       | R   | 8          | U    | 0x01          | Status register. See Table 16 for details.   |
| 0xA              | Lock          | W   | 8          | U    | 0x00          | Memory protection register. See the Protecting the Integrity of Configuration Registers section and Table 17 for details.  |
| 0xB              | SYNC_SNAP     | W   | 8          | U    | 0x00          | Synchronization register. See Table 18 for details.  |
| 0xC              | COUNTER0      | R/W | 8          | U    | N/A           | Contains the least significant eight bits of the internal synchronization counter.   |
| 0xD              | COUNTER1      | R/W | 8          | U    | N/A           | COUNTER1[3:0] bits contain the most significant four bits of the internal synchronization counter. See the Synchronizing Multiple ADE7912/ADE7913 Devices section for details. |
| 0xE              | EMI_CTRL      | R/W | 8          | U    | 0xFF          | EMI control register. Manages the PWM control block of the isolated dc-to-dc converter to reduce EMI emissions (see Table 19 and the DC-to-DC Converter section for details).  |
| 0xF              | STATUS1       | R   | 8          | U    | 0x00          | Status register. See Table 20 for details.   |
| 0x10, 0x11       | Reserved      | R/W | 8          | U    | 0x00          | For proper operation, do not write to these registers.   |
| 0x12, 0x13       | Reserved      | R   | 8          | U    | 0x00          | Reserved registers.  |
| 0x14             | Reserved      |     |            |      |               | No functionality assigned at this address.   |
| 0x15, 0x16, 0x17 | Reserved      | R   | 8          | U    | 0x00          | Reserved registers.  |
| 0x18             | TEMPOS        | R   | 8          | S    | N/A           | Temperature sensor offset. See the Temperature Sensor section for more information.  |

**Table 14. CNT\_SNAPSHOT Register (Address 0x7)**

| Bit Location | Bit Name | Default Value | Description  |
|--------------|----------|---------------|--|
| 11:0         | Counter  | 0x000         | Snapshot value of the counter used in synchronization operation. |
| 15:12        | Reserved | 0000          | Reserved. These bits do not represent any functionality.         |

Table 15. CONFIG Register (Address 0x8)

| Bit Location | Bit Name  | Default Value | Description  |
|--------------|-----------|---------------|--|
| 0            | CLKOUT_EN | 0             | Enables CLKOUT functionality at the CLKOUT/DREADY pin. When CLKOUT_EN = 0, the default value, DREADY functionality is enabled. When CLKOUT_EN = 1, CLKOUT functionality is enabled.  |
| 1            | Reserved  | 0             | Reserved. This bit does not manage any functionality.  |
| 2            | PWRDWN_EN | 0             | Shuts down the dc-to-dc converter. When PWRDWN_EN = 0, the default value, the dc-to-dc converter is functional and the $\Sigma$ - $\Delta$ modulators are active. When PWRDWN_EN = 1, the dc-to-dc converter is turned off and the $\Sigma$ - $\Delta$ modulators are shut down.   |
| 3            | TEMP_EN   | 0             | This bit selects the second voltage channel measurement. When the TEMP_EN bit is set to 0, the default value, the voltage between the V2P and VM pins is measured. When this bit is 1, the internal temperature sensor is measured (see the Temperature Sensor section for more information). In the case of the ADE7912, the internal temperature sensor is always measured, and this bit does not have any significance. |
| 5:4          | ADC_FREQ  | 00            | These bits select the ADC output frequency.<br>00 = 8 kHz, 125 $\mu$ s period.<br>01 = 4 kHz, 250 $\mu$ s period.<br>10 = 2 kHz, 500 $\mu$ s period.<br>11 = 1 kHz, 1 ms period.   |
| 6            | SWRST     | 0             | When this bit is set to 1, a software reset is initiated. This bit clears itself to 0 after one CLKIN cycle.   |
| 7            | BW        | 0             | Selects the bandwidth of the digital low-pass filter of the ADC. When BW = 0, the default value, the bandwidth is 3.3 kHz. When BW = 1, the bandwidth is 2 kHz. The bandwidth data is for CLKIN = 4.096 MHz and an ADC output frequency of 8 kHz. See the Analog-to-Digital Conversion section for details on how CLKIN and the ADC output frequency influence the bandwidth selection.                                    |

Table 16. STATUS0 Register (Address 0x9)

| Bit Location | Bit Name | Default Value | Description  |
|--------------|----------|---------------|--|
| 0            | RESET_ON | 1             | During reset, the RESET_ON bit is set to 1. When the reset ends and the ADE7912/ADE7913 are ready to be configured, the RESET_ON bit is cleared to 0.          |
| 1            | CRC_STAT | 0             | If the CRC of the configuration registers changes value, CRC_STAT bit is set to 1.   |
| 2            | IC_PROT  | 0             | If the configuration registers are not protected, this bit is 0. After the configuration registers are protected (lock register = 0xCA), this bit is set to 1. |
| 7:3          | Reserved | 0             | Reserved. These bits do not represent any functionality.   |

Table 17. Lock Register (Address 0xA)

| Bit Location | Bit Name | Default Value | Description  |
|--------------|----------|---------------|--|
| 7:0          | LOCK_KEY | 00000000      | When the LOCK_KEY bits are equal to 0xCA, protection of the configuration registers is enabled. When the LOCK_KEY bits are equal to 0x9C, the protection is disabled and the configuration registers can be written.<br>This is a write only register. If the address location is read, the value is 0x00. |

Table 18. SYNC\_SNAP Register (Address 0xB)

| Bit Location | Bit Name | Default Value | Description   |
|--------------|----------|---------------|---|
| 0            | Sync     | 0             | When the sync bit is set to 1 via a broadcast SPI write operation, the ADE7912/ADE7913 devices in the system generate ADC outputs in the same exact moment. The bit clears itself back to 0 after one CLKIN cycle. See the Synchronizing Multiple ADE7912/ADE7913 Devices section for more details. |
| 1            | Snap     | 0             | When the snap bit is set to 1 via a broadcast SPI write operation, the internal counters of the ADE7912/ADE7913 devices in the system are latched. The bit clears itself back to 0 after one CLKIN cycle. See the Synchronizing Multiple ADE7912/ADE7913 Devices section for more details.          |
| 7:2          | Reserved | 0             | Reserved. These bits do not represent any functionality.  |

**Table 19. EMI\_CTRL Register (Address 0xE)**

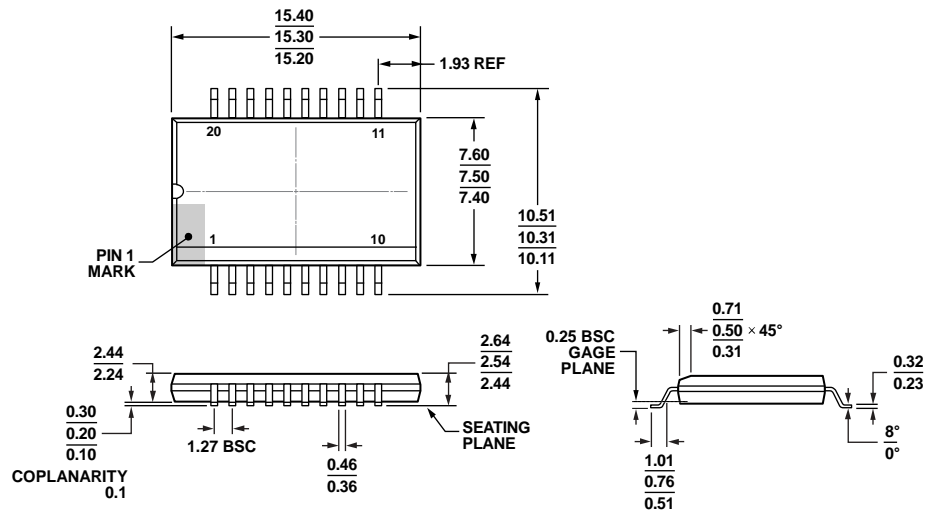
| Bit Location | Bit Name | Default Value | Description   |
|--------------|----------|---------------|---|
| 0            | SLOT0    | 1             | Controls the PWM control block pulse during Slot 0 of the CLKIN/4 clock (see the DC-to-DC Converter section for details). |
| 1            | SLOT1    | 1             | Controls the PWM control block pulse during Slot 1 of the CLKIN/4 clock.  |
| 2            | SLOT2    | 1             | Controls the PWM control block pulse during Slot 2 of the CLKIN/4 clock.  |
| 3            | SLOT3    | 1             | Controls the PWM control block pulse during Slot 3 of the CLKIN/4 clock.  |
| 4            | SLOT4    | 1             | Controls the PWM control block pulse during Slot 4 of the CLKIN/4 clock.  |
| 5            | SLOT5    | 1             | Controls the PWM control block pulse during Slot 5 of the CLKIN/4 clock.  |
| 6            | SLOT6    | 1             | Controls the PWM control block pulse during Slot 6 of the CLKIN/4 clock.  |
| 7            | SLOT7    | 1             | Controls the PWM control block pulse during Slot 7 of the CLKIN/4 clock.  |

**Table 20. STATUS1 Register (Address 0xF)**

| Bit Location | Bit Name | Default Value | Description   |
|--------------|----------|---------------|---|
| 2:0          | Version  | 0             | The <a href="#">ADE7912/ADE7913</a> version number.   |
| 3            | ADC_NA   | 0             | If the ADC outputs are not accessed during one ADC output period, the ADC_NA bit is set to 1. When the STATUS1 register is read, the bit is cleared to 0. |
| 6:4          | Reserved | 0             | Reserved. These bits do not represent any functionality.  |
| 7            | Reserved | 0             | Reserved. Internal functionality is associated with this bit.   |



# OUTLINE DIMENSIONS



COMPLIANT TO JEDEC STANDARDS MS-013

Figure 54. 20-Lead Standard Small Outline Package, with Increased Creepage [SOIC\_IC] Wide Body (RI-20-1)  
Dimensions shown in millimeters

## ORDERING GUIDE

| Model <sup>1, 2</sup> | Temperature Range | Package Description                | Package Option |
|-----------------------|-------------------|------------------------------------|----------------|
| ADE7912ARIZ           | -40°C to +85°C    | 20-Lead SOIC_IC                    | RI-20-1        |
| ADE7912ARIZ-RL        | -40°C to +85°C    | 20-Lead SOIC_IC, 13" Tape and Reel | RI-20-1        |
| ADE7913ARIZ           | -40°C to +85°C    | 20-Lead SOIC_IC                    | RI-20-1        |
| ADE7913ARIZ-RL        | -40°C to +85°C    | 20-Lead SOIC_IC, 13" Tape and Reel | RI-20-1        |
| EVAL-ADE7913EBZ       |                   | Evaluation Board                   |                |
| EVAL-SDP-CB1Z         |                   | Evaluation System Controller Board |                |

<sup>1</sup> Z = RoHS Compliant Part.

<sup>2</sup> The EVAL-SDP-CB1Z is the controller board that manages the EVAL-ADE7913EBZ evaluation board. Both boards must be ordered together.

## X-ON Electronics

Largest Supplier of Electrical and Electronic Components

*Click to view similar products for [Data Conversion IC Development Tools](#) category:*

*Click to view products by [Analog Devices](#) manufacturer:*

Other Similar products are found below :

[EVAL-AD5063EBZ](#) [EVAL-AD5422LFEBZ](#) [EVAL-AD7265EDZ](#) [EVAL-AD7641EDZ](#) [EVAL-AD7674EDZ](#) [EVAL-AD7719EBZ](#) [EVAL-AD7767-1EDZ](#) [EVAL-AD7995EBZ](#) [AD9114-DPG2-EBZ](#) [AD9211-200EBZ](#) [AD9251-20EBZ](#) [AD9251-65EBZ](#) [AD9255-125EBZ](#) [AD9284-250EBZ](#) [AD9613-170EBZ](#) [AD9627-125EBZ](#) [AD9629-20EBZ](#) [AD9709-EBZ](#) [AD9716-DPG2-EBZ](#) [AD9737A-EBZ](#) [AD9787-DPG2-EBZ](#) [AD9993-EBZ](#) [DAC8555EVM](#) [ADS5482EVM](#) [ADS8372EVM](#) [EVAL-AD5061EBZ](#) [EVAL-AD5062EBZ](#) [EVAL-AD5443-DBRDZ](#) [EVAL-AD5570SDZ](#) [EVAL-AD7450ASDZ](#) [EVAL-AD7677EDZ](#) [EVAL-AD7992EBZ](#) [EVAL-AD7994EBZ](#) [AD9119-MIX-EBZ](#) [AD9148-M5375-EBZ](#) [AD9204-80EBZ](#) [AD9233-125EBZ](#) [AD9265-105EBZ](#) [AD9265-80EBZ](#) [AD9608-125EBZ](#) [AD9629-80EBZ](#) [AD9648-125EBZ](#) [AD9649-20EBZ](#) [AD9650-80EBZ](#) [AD9765-EBZ](#) [AD9767-EBZ](#) [AD9778A-DPG2-EBZ](#) [ADS8322EVM](#) [LM96080EB/NOPB](#) [EVAL-AD5445SDZ](#)