



Evaluating the 3 kV RMS **ADM2565E** and the 5.7 kV RMS **ADM2865E**, Signal and Power Isolated, RS-485 Transceivers with ± 15 kV IEC ESD

FEATURES

- Simplified evaluation of the ADM2565E and ADM2865E 25 Mbps half-duplex, isolated RS-485 transceivers**
- 2-layer PCB compliant to EN 55032/CISPR 32 Class B radiated emissions**
- Footprint for 10.15 mm × 10.05 mm, 28-lead SOIC_W_FP package with 8.3 mm creepage and clearance**
- On-board **ADP7104** LDO regulator with jumper options for simplified evaluation in 5 V or 3.3 V configuration**
- Flexible, low voltage V_{IO} supply rail for interfacing with I/O nodes as low as 1.7 V**
- Selectable 3.3 V or 5 V isolated supply voltage options available**
- ESD protection on the RS-485 A and B pins**
 - $\geq \pm 12$ kV IEC 61000-4-2 contact discharge
 - $\geq \pm 15$ kV IEC 61000-4-2 air discharge
- SMA connector for high speed 25 Mbps TxD input signal**
- Optional on-board **LTC6900** oscillator for providing TxD signal**
- Screw terminal blocks for connecting power, digital, and RS-485 signals**
- Jumper selectable enable and disable for digital input signals**
- Resistors and footprints for loopback test and termination**
- Test points for measuring all signals**

EVALUATION KIT CONTENTS

EVAL-ADM2565EEBZ or EVAL-ADM2865EEBZ

EQUIPMENT NEEDED

- Oscilloscope**
- Signal generator**
- 3 V to 5.5 V supply**
- 1.62 V to 5.5 V supply**

DOCUMENTS NEEDED

- ADM2565E data sheet**
- ADM2865E data sheet**

GENERAL DESCRIPTION

The EVAL-ADM2565EEBZ and the EVAL-ADM2865EEBZ allow the simplified, efficient evaluation of the 3 kV rms ADM2565E and the 5.7 kV rms ADM2865E signal and power isolated, half-duplex RS-485 transceivers, respectively. The ADM2565E and the

ADM2865E transceivers are available in a small footprint, 10.15 mm × 10.05 mm, 28-lead, small outline, wide body, with fine pitch (SOIC_W_FP) package.

The ADM2565E and the ADM2865E both feature an integrated, isolated, dc-to-dc converter that provides power to the isolated side of the device with no additional ICs required.

An on-board ADP7104 low dropout (LDO) regulator accepts an input voltage of 3.3 V to 20 V and regulates the voltage to a selectable 3.3 V or 5 V supply for the V_{CC} pin of the ADM2565E and the ADM2865E. The LDO regulator can be bypassed to power the V_{CC} pin of the ADM2565E and the ADM2865E directly.

A screw terminal connector on the evaluation boards allows connection to the flexible V_{IO} logic supply pin of the ADM2565E and the ADM2865E. This connection allows the ADM2565E and the ADM2865E to operate with a digital input/output (I/O) voltage from 1.7 V to 5.5 V, which enables communication with nodes using either a 1.8 V or 2.5 V power supply. The V_{IO} pin can also be supplied from the ADP7104 regulated supply.

Digital and RS-485 bus signals are easily accessible via the screw terminal connectors on each evaluation board. Each digital input can be configured via the on-board jumper options.

Alternative methods can provide the transmit data input (TxD) signal to the ADM2565E or the ADM2865E. An LTC6900 oscillator is included on each evaluation board and can be optionally configured to provide a clock signal for the TxD digital input within a 1 kHz to 12.5 MHz range. For optimal signal integrity, use the on-board Subminiature Version A (SMA) connector to connect an external data signal at high data rates up to 25 Mbps.

The EVAL-ADM2565EEBZ is populated with the ADM2565E 3 kV rms isolated RS-485 transceiver, and the EVAL-ADM2865EEBZ is populated with the ADM2865E 5.7 kV rms isolated RS-485 transceiver. The two evaluation boards differ only by the isolated RS-485 device populated on U3.

For full details on the ADM2565E or the ADM2865E, see the ADM2565E data sheet or the ADM2865E data sheet, which must be consulted in conjunction with this user guide when using the EVAL-ADM2565EEBZ or the EVAL-ADM2865EEBZ.

TABLE OF CONTENTS

Features	1	Radiated Emissions	5
Evaluation Kit Contents.....	1	EN 55032 Radiated Emissions Test Results	6
Equipment Needed.....	1	Other Board Components.....	6
Documents Needed.....	1	RS-485 Transceiver Loopback Test	7
General Description	1	IEC 61000-4-2 Electrostatic Discharge (ESD) Protection	8
Revision History	2	Evaluation Board Schematics and Artwork.....	9
Evaluation Board Photographs	3	Ordering Information.....	11
Evaluation Board Hardware.....	4	Bill of Materials.....	11
Setting Up the Evaluation Board.....	4		
Input and Output Connections	5		

REVISION HISTORY

8/2020—Revision 0: Initial Version

EVALUATION BOARD PHOTOGRAPHS

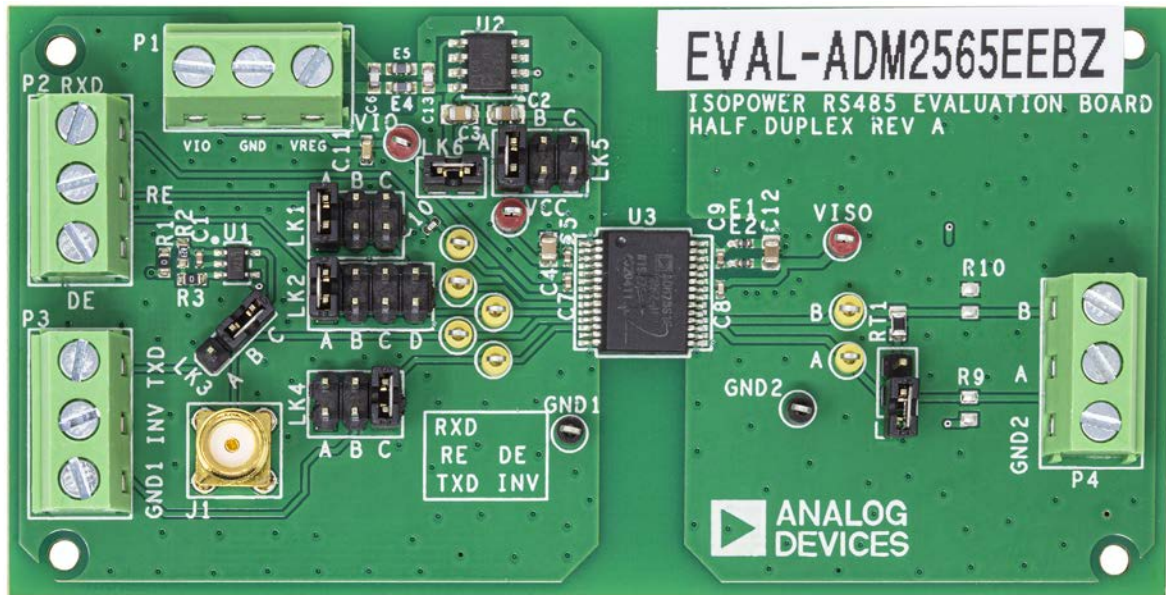


Figure 1. EVAL-ADM2565EEBZ

22793-001

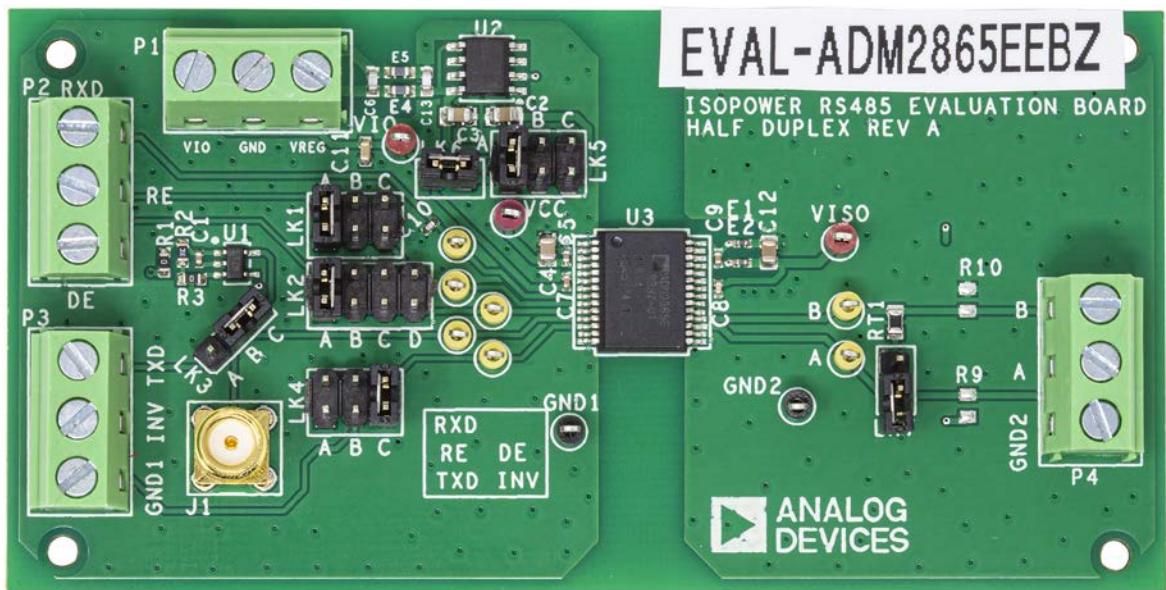


Figure 2. EVAL-ADM2865EEBZ

22793-010

EVALUATION BOARD HARDWARE

SETTING UP THE EVALUATION BOARD

The EVAL-ADM2565EEBZ and the EVAL-ADM2865EEBZ are powered via the VREG connection on the P1 screw terminal connector. The voltage connected to the VREG terminal on the P1 screw terminal connector can either be regulated or connected directly to the V_{CC} pin of the [ADM2565E/ADM2865E](#). Insert the LK5 jumper into Position A to power the V_{CC} pin of the ADM2565E/ADM2865E directly from the VREG terminal.

The on-board [ADP7104](#) voltage regulator accepts a voltage from 5.5 V to 20 V on the VREG terminal, and can supply either a 3.3 V or a 5 V regulated supply to the V_{CC} pin of the ADM2565E/ADM2865E. The regulated voltage can be selected via the LK5 jumper. Insert the LK5 jumper into Position B to operate the ADM2565E/ADM2865E with a regulated, 3.3 V V_{CC} supply. Insert the LK5 jumper into Position C to operate the ADM2565E/ADM2865E with a regulated, 5 V V_{CC} supply. The V_{CC} pin is fitted with a 10 μ F decoupling capacitor (C4) and a 0.1 μ F decoupling capacitor (C5).

The V_{IO} supply pin of the ADM2565E/ADM2865E can be powered from the VREG terminal block by inserting the LK6 jumper to operate the V_{IO} and V_{CC} supply pins at the same voltage. Alternatively, the V_{IO} supply pin can be powered from a separate VIO terminal block by removing the LK6 jumper. In this

configuration, the VIO input of the P1 screw terminal connector can be connected to a separate, low voltage logic supply between 1.7 V and 5.5 V. A 0.1 μ F decoupling capacitor, C7, is fitted at the connector between V_{IO} and GND_1 . A footprint for a second 10 μ F capacitor, C11, can be used to provide additional decoupling capacitance to the V_{IO} pin.

The V_{SEL} pin of the ADM2565E/ADM2865E selects the isolated supply voltage for the RS-485 transceiver. To configure the ADM2565E/ADM2865E to output a 3.3 V isolated supply voltage, connect the V_{SEL} pin to the GND_{ISO} pins. To configure the ADM2565E/ADM2865E to output a 5 V isolated supply voltage, connect the V_{SEL} pin to the V_{ISOOUT} pin. The R6 and R7 resistors can be inserted or removed as needed to make these connections. Avoid inserting the R6 and R7 resistors together because this connection shorts the V_{ISOOUT} power pin to the GND_{ISO} ground pin.

See Table 1 and Table 2 for details on the jumper and power supply connections. The corresponding labeled test points allow power supply monitoring of the EVAL-ADM2565EEBZ or the EVAL-ADM2865EEBZ with the probe reference connected to ground.

Table 1. Jumper Configurations

Link	Jumper Connection	Description
LK1	A	Connects the ADM2565E/ADM2865E \overline{RE} input pin to the V_{IO} pin. This setting disables the receiver.
	B	Connects the ADM2565E/ADM2865E \overline{RE} input pin to the \overline{RE} terminal on the P2 screw terminal connector.
	C	Connects the ADM2565E/ADM2865E \overline{RE} input pin to the GND_1 pins. This setting enables the receiver.
LK2	A	Connects the ADM2565E/ADM2865E DE input pin to the V_{IO} pin. This setting enables the driver.
	B	Connects the ADM2565E/ADM2865E DE input pin to the DE terminal on the P2 screw terminal connector.
	C	Connects the ADM2565E/ADM2865E DE input pin to the GND_1 pins. This setting disables the driver.
	D	Connects the ADM2565E/ADM2865E DE input pin to the \overline{RE} input signal. Therefore, the input for both \overline{RE} and DE is set by the LK1 jumper. This setting ensures that when the driver is enabled, the receiver is disabled, or when the driver is disabled, the receiver is enabled.
LK3	A and B	Connects the ADM2565E/ADM2865E TxD input pin and J1 SMA connector to the TXD terminal on the P3 screw terminal connector.
	B and C	Connects the ADM2565E/ADM2865E TxD input pin and J1 SMA connector to the LTC6900 oscillator output. The oscillator frequency can be configured between 1 kHz and 12.5 MHz by setting the R2 and R3 resistors. Only use this option when the V_{IO} supply input is between 2.7 V to 5.5 V.
	Not inserted	Connects the ADM2565E/ADM2865E TxD input pin to the J1 SMA connector.
LK4	A	Connects the ADM2565E/ADM2865E INV input pin to the V_{IO} pin. This setting enables the cable inversion feature.
	B	Connects the ADM2565E/ADM2865E INV input pin to the INV terminal on the P3 screw terminal connector.
	C	Connects the ADM2565E/ADM2865E INV input pin to the GND_1 pins. This setting is used for normal driver operation.

Link	Jumper Connection	Description
LK5	A	Connects the ADM2565E/ADM2865E V _{CC} pin to the VREG terminal on the P1 screw terminal connector. This option bypasses the ADP7104 regulator and allows an external power supply to connect directly to the ADM2565E/ADM2865E V _{CC} pin.
	B	Powers the ADM2565E/ADM2865E V _{CC} pin with a regulated 3.3 V power supply from the ADP7104. The ADP7104 must be supplied with at least 4 V through the VREG terminal on the P1 screw terminal connector.
	C	Powers the ADM2565E/ADM2865E V _{CC} pin with a regulated 5 V power supply from the ADP7104. The ADP7104 must be supplied with at least 6 V through the VREG terminal on the P1 screw terminal connector.
LK6	Inserted	Connects the ADM2565E/ADM2865E V _{CC} pin to the V _{IO} pin.
	Not inserted	Disconnects the ADM2565E/ADM2865E V _{CC} pin from the V _{IO} pin. The V _{IO} pin is powered from the V _{IO} terminal on the P1 screw terminal connector.
LK7	Inserted	Connects the 120 Ω RT1 termination resistor between the ADM2565E/ADM2865E Pin A and Pin B.
	Not inserted	Disconnects the 120 Ω RT1 termination resistor between the ADM2565E/ADM2865E Pin A and Pin B.

Table 2. Power Supply Configurations

Jumper LK5	V _{SEL} Pin	VREG Input Voltage Range	V _{CC} Supply	V _{ISO} Supply
A	Low	Not used	Power V _{CC} directly from the VREG terminal on the P1 screw terminal connector with a supply voltage between 3 V and 5.5 V	3.3 V isolated output
	High	Not used	Power V _{CC} directly from the VREG terminal on the connector P1 screw terminal connector with a supply voltage between 4.5 V and 5.5 V	5 V isolated output
B	Low	4 V to 20 V	Regulator provides 3.3 V supply to V _{CC}	3.3 V isolated output
	High	Invalid condition, 5 V isolated output is not supported with V _{CC} < 4.5 V		
C	Low	6 V to 20 V	Regulator provides 5 V supply to V _{CC}	3.3 V isolated output
	High	6 V to 20 V	Regulator provides 5 V supply to V _{CC}	5 V isolated output

INPUT AND OUTPUT CONNECTIONS

Digital input and output signals are connected via the P2 and P3 screw terminal connectors to allow wire connections from the EVAL-ADM2565EEBZ or the EVAL-ADM2865EEBZ to a signal generator. The evaluation boards include screw terminals for transmit data input (TXD), receiver data output (RXD), receiver enable (RE), driver enable (DE), and the cable inversion (INV) signal. Alternatively, jumper connections can connect these signals to the V_{IO} or GND₁ pins of the ADM2565E/ADM2865E (see Table 1).

Connections to the RS-485 bus are made via the P4 screw terminal connector. The EVAL-ADM2565EEBZ or the EVAL-ADM2865EEBZ have two bus input and output signals: Signal A for the noninverting input signal or the noninverting output signal, and Signal B for the inverting input signal or the inverting output signal. The bus cables also include a common ground connection and can be connected to the P4 screw terminal connector of the evaluation boards. Test points are available on the evaluation boards and are appropriately labeled for all digital and bus input and output signals.

RADIATED EMISSIONS

The EVAL-ADM2565EEBZ or the EVAL-ADM2865EEBZ is a 2-layer printed circuit board (PCB) that meets the EN 55032 Class B radiated emissions requirements under full load while operating at the maximum data rate. Advances in the isolated dc-to-dc converter eliminate the need for complex mitigation techniques, such as edge guarding and embedded stitching capacitance. Two 0402, surface-mount ferrite beads suppress high frequency noise and minimize the amount of noise radiated by the ADM2565E/ADM2865E. The recommended ferrite beads have a high impedance in the 100 MHz to 1 GHz frequency range (see Table 3). The EVAL-ADM2565EEBZ or the EVAL-ADM2865EEBZ is populated with the BLM15HD182SN1 ferrite beads on E1 and E2.

Table 3. Recommended Surface-Mount Ferrite Beads

Manufacturer	Device Number
Murata Electronics	BLM15HD182SN1
Taiyo Yuden	BKH1005LM182-T

To maximize the margin to the EN 55032 Class B specification, adhere to the following guidelines:

- Ensure that the decoupling capacitors are placed as close to the corresponding [ADM2565E/ADM2865E](#) pins as possible.
- Place a 10 μF capacitor (C4) and a 0.1 μF capacitor (C5) between the ADM2565E/ADM2865E V_{CC} pin and GND_1 pin.
- Place a 0.1 μF capacitor (C7) between the ADM2565E/ADM2865E V_{IO} pin and GND_1 pin.
- Connect the ADM2565E/ADM2865E GND_{ISO} pins (Pin 24, Pin 26, and Pin 28) together to form a single GND_{ISO} net. Connect this net to the GND_2 net through the E1 ferrite bead.
- Place a 0.1 μF capacitor (C9) between the ADM2565E/ADM2865E V_{ISOOUT} supply pin and GND_{ISO} net.
- Connect the ADM2565E/ADM2865E V_{ISOOUT} pin to the V_{ISOIN} pin through the E2 ferrite bead.
- Place a 10 μF capacitor (C12) and a 0.1 μF capacitor (C8) between the ADM2565E/ADM2865E V_{ISOIN} supply pin and GND_2 pin (Pin 22).
- Remove any metal planes or floods from the area around or under the GND_{ISO} and V_{ISOOUT} net.

The EVAL-ADM2565EEBZ and the EVAL-ADM2865EEBZ are designed according to these guidelines and meet EN 55032 Class B requirements with margin. See Figure 3, Figure 8, and Figure 9 for further details on the recommended PCB layout.

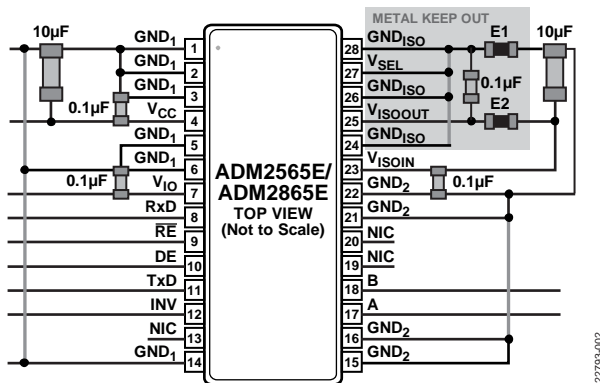


Figure 3. Layout Guidelines to Achieve EN 55032 Class B Requirements

EN 55032 RADIATED EMISSIONS TEST RESULTS

The EVAL-ADM2565EEBZ or the EVAL-ADM2865EEBZ meets the EN 55032 and CISPR 32 Class B requirements for radiated emissions with margin. The testing was performed in worst case conditions under a full 54 Ω load with both the transmitter and the receiver switching at 25 Mbps. Figure 4 shows the results obtained in a 10 meter, semianechoic chamber, which are less than the Class B limit.

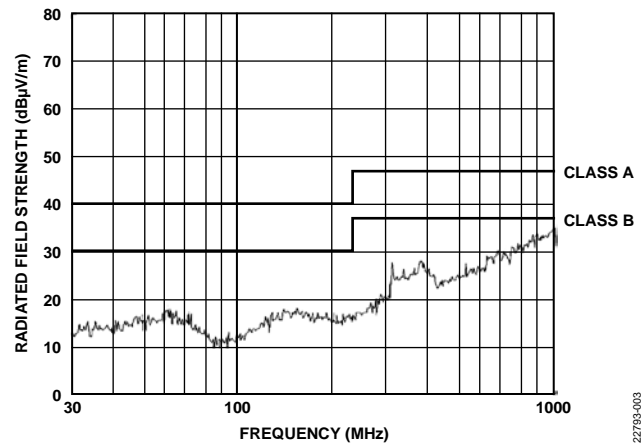


Figure 4. CISPR 32/EN 55032 Radiated Emissions Test Results

OTHER BOARD COMPONENTS

The EVAL-ADM2565EEBZ or the EVAL-ADM2865EEBZ has footprints for the RT1 termination resistor. A 120 Ω termination resistor is fitted to the evaluation boards, but this resistor can be removed or replaced with a resistor of a different value as needed. Insert the LK7 jumper to add a 120 Ω load to the RS-485 driver.

Biasing Resistors for Bus Idle Fail-Safe

The ADM2565E/ADM2865E have a built in receiver fail-safe for the bus idle condition, but there are footprints on the evaluation boards for fitting the R9 pull-up resistor to the V_{ISO} supply on the ADM2565E/ADM2865E Pin A, as well as the R10 pull-down resistor to the GND_2 supply on Pin B. These resistors can be fitted if the user is connecting to other devices that require external biasing resistors on the bus. The exact value required for a 200 mV minimum differential voltage in the bus idle condition depends on the minimum supply voltage and the termination scheme. For 5 V transceiver operation, 1140 Ω is recommended. For 3.3 V transceiver operation, 900 Ω is recommended.

See the [AN-960 Application Note](#) for more information about the bus idle fail-safe.

On-Board LTC6900 Oscillator

An LTC6900 oscillator is provided on the EVAL-ADM2565EEBZ or the EVAL-ADM2865EEBZ to allow efficient evaluation of each device without the need for an external signal source.

To use the LTC6900 oscillator for evaluation, insert the LK3 jumper at Position B and Position C. This setting connects the oscillator output to the ADM2565E/ADM2865E TxD input pin.

The R2 and R3 resistors configure the switching frequency of the clock oscillator within the 100 kHz to 12.5 MHz range. Use the following equation to calculate the frequency:

$$f_{osc} = 10 \text{ MHz} \left(\frac{20 \text{ k}\Omega}{(R2 + R3)} \right), 16 \text{ k}\Omega \leq (R2 + R3) \leq 2 \text{ M}\Omega$$

where f_{osc} is the output frequency of the LTC6900 oscillator.

The LTC6900 oscillator is powered from the V_{IO} supply and must only be used when the V_{IO} supply voltage is between 2.7 V and 5.5 V. The LTC6900 oscillator can be removed from the V_{IO} supply by removing the R1 0 Ω resistor.

ADP7104 LDO Regulator

The EVAL-ADM2565EEBZ or the EVAL-ADM2865EEBZ features an on-board ADP7104 LDO regulator that allows flexible power supply configurations during evaluation.

To use the on-board LDO regulator, insert the LK5 jumper into Position B or Position C. This setting connects the regulator output to the V_{CC} pin of the ADM2565E/ADM2865E. In this configuration, power must be supplied to the VREG input on the P1 screw terminal connector.

The ADP7104 LDO regulator can be configured to provide regulated 3.3 V or 5 V power to the V_{CC} pin of the ADM2565E/ADM2865E via the LK5 jumper. When using the ADP7104 regulator, insert the LK5 jumper at Position C to provide regulated 5 V power to the V_{CC} pin of the ADM2565E/ADM2865E. Insert the LK5 jumper at Position B to provide 3.3 V power to the V_{CC} pin of the ADM2565E/ADM2865E. When LK5 is inserted at Position B, 5 V transceiver operation is not supported.

Insert the LK5 jumper into Position A to bypass the regulator and power the ADM2565E/ADM2865E directly from the VREG input on the P1 screw terminal connector. In this configuration, the VREG input on the P1 screw terminal connector supports a voltage range of 3 V to 5.5 V.

Table 2 lists the supported power supply configurations and the associated jumper configurations.

RS-485 TRANSCEIVER LOOPBACK TEST

A loopback test can be set up with the EVAL-ADM2565EEBZ or the EVAL-ADM2865EEBZ. The ADM2565E/ADM2865E are half-duplex and are already configured to easily perform a loopback test. The details of this test are shown in Table 2 and in Figure 5. A signal generator is connected to the TxD pin, which allows verification of the bus signals and the receiver output. To enable both the driver and receiver for the test, set the jumper position for LK1 to Position C, LK2 to Position A, and LK4 to Position C on the EVAL-ADM2565EEBZ or the EVAL-ADM2865EEBZ. See Table 2 for the jumper configurations for different power supply configurations. Insert the LK7 jumper to conduct the test with a 120 Ω load present on the RS-485 outputs.

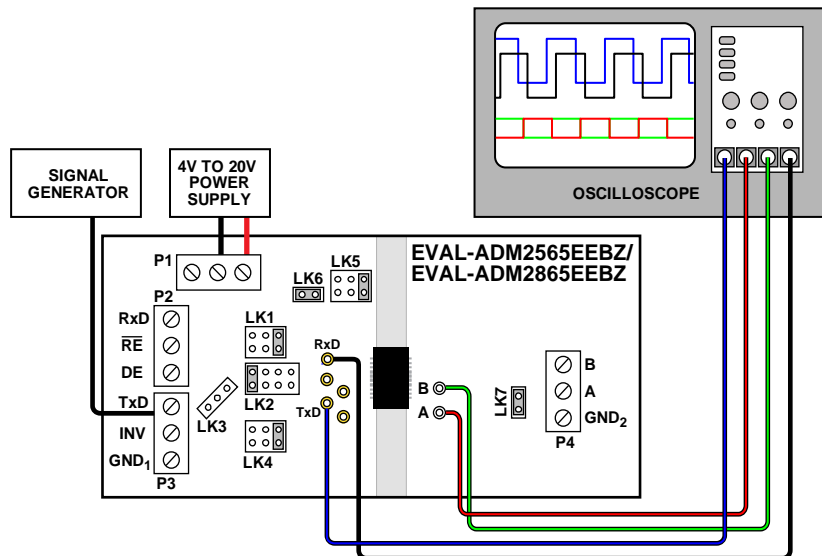


Figure 5. Half-Duplex RS-485 Loopback Test

IEC 61000-4-2 ELECTROSTATIC DISCHARGE (ESD) PROTECTION

The EVAL-ADM2565EEBZ or the EVAL-ADM2865EEBZ is tested to achieve protection against IEC 61000-4-2 ESD to $\geq \pm 12$ kV (contact) and $\geq \pm 15$ kV (air) on Pin A and Pin B of the [ADM2565E/ADM2865E](#).

The IEC 61000-4-2 ESD standard describes testing using two coupling methods known as contact discharge and air discharge. Contact discharge implies a direct contact between the discharge gun and the equipment under test (EUT).

During air discharge testing, the charged electrode of the discharge gun is moved toward the EUT until a discharge occurs as an arc across the air gap. The discharge gun does not make direct contact with the EUT.

During testing, Pin A and Pin B of the ADM2565E/ADM2865E are subjected to at least 10 positive and 10 negative single discharges with a 1 sec interval between each pulse. The highest specified IEC 61000-4-2 ESD test is Level 4, which

defines a contact discharge voltage of $\geq \pm 8$ kV and an air discharge voltage of $\geq \pm 15$ kV.

Figure 6 shows the ESD waveform for an 8 kV contact discharge current waveform as described in the ADM2565E or the ADM2865E data sheet, which has a peak current (I_{PEAK}) of 30 A. Important IEC 61000-4-2 waveform parameters include rise times of < 1 ns and pulse widths of ~ 60 ns.

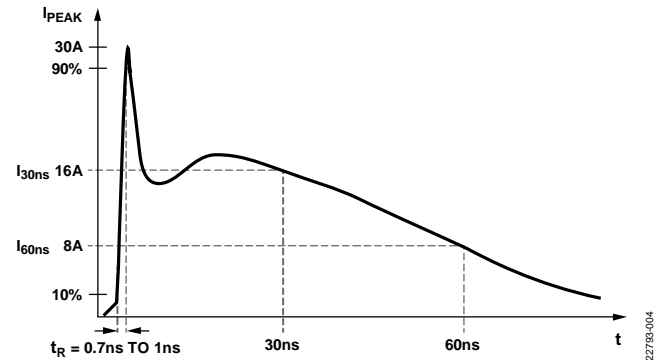


Figure 6. IEC 61000-4-2 ESD Waveform (8 kV)

EVALUATION BOARD SCHEMATICS AND ARTWORK

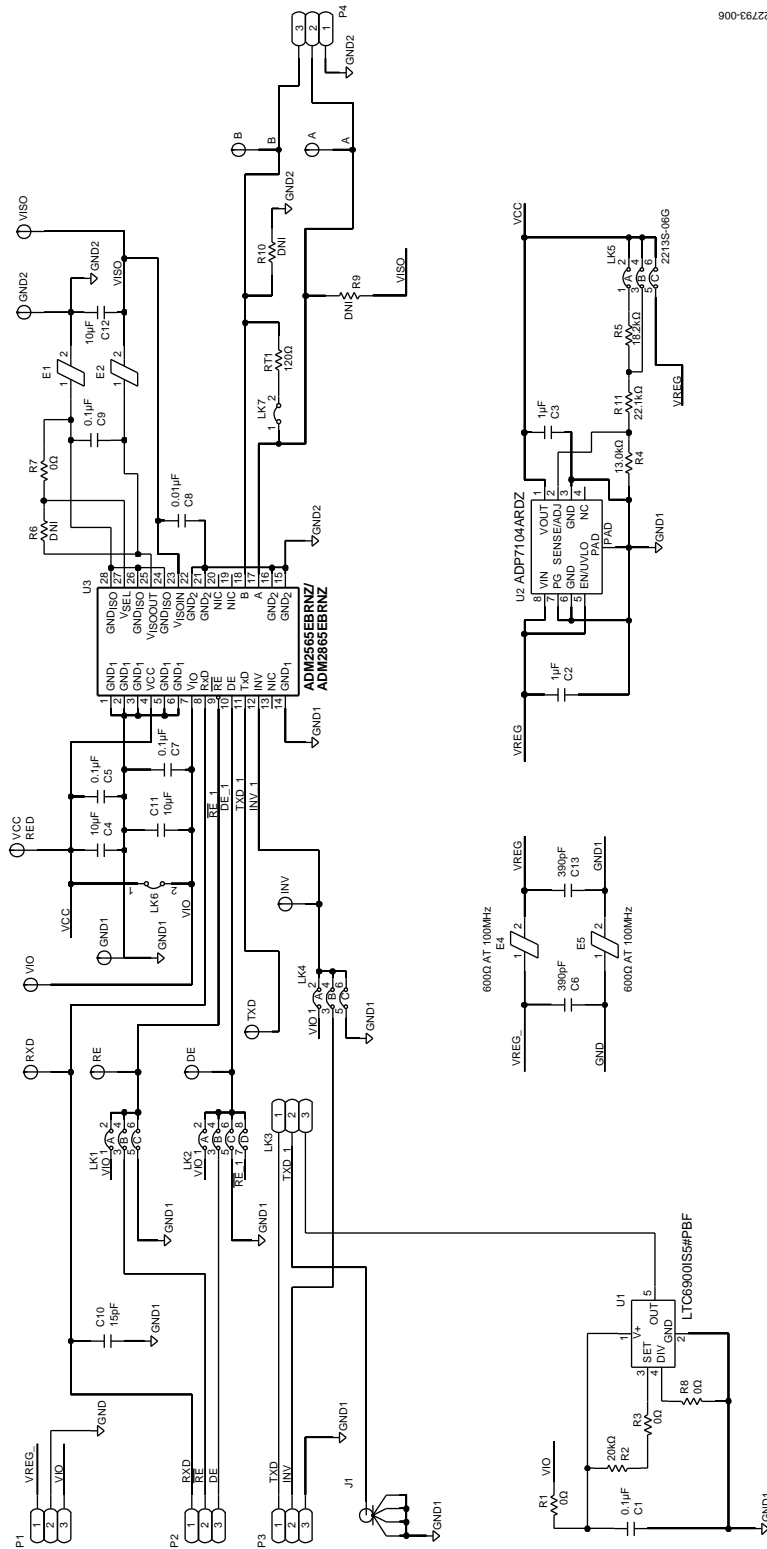


Figure 7. EVAL-ADM2565EEBZ/EVAL-ADM2865EEBZ Schematic

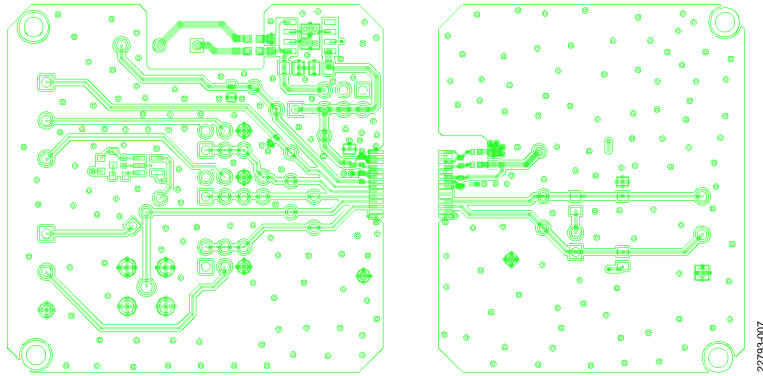


Figure 8. EVAL-ADM2565EEBZ/EVAL-ADM2865EEBZ Component Side, Layer 1

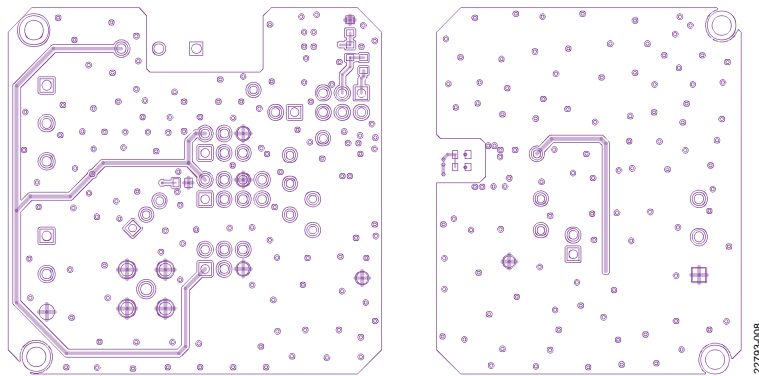


Figure 9. EVAL-ADM2565EEBZ/EVAL-ADM2865EEBZ, Layer 2

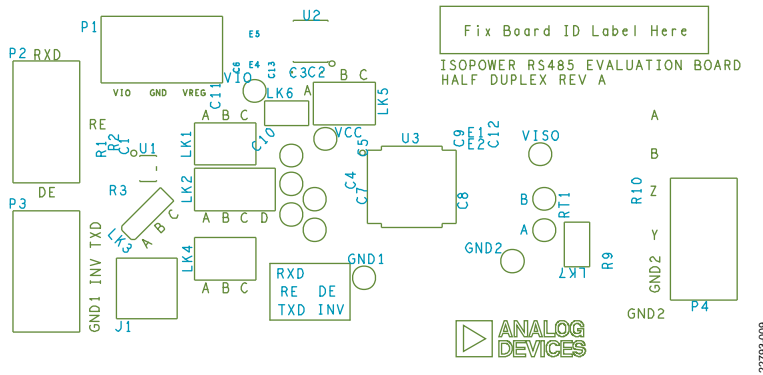


Figure 10. EVAL-ADM2565EEBZ/EVAL-ADM2865EEBZ, Silkscreen

ORDERING INFORMATION

BILL OF MATERIALS

Table 4. EVAL-ADM2565EEBZ/EVAL-ADM2865EEBZ Bill of Materials

Qty	Reference Designator	Description	Manufacturer	Part Number
7	A, B, DE, INV, RE, RXD, TXD	Test points, yellow	Keystone Electronics	36-5004-ND
5	C1, C5, C7, C8, C9	Capacitors, 0.1 μ F, 0402	Kemet	C0402C104K4RACTU
2	C2, C3	Capacitors, 1 μ F, 0805	Murata	GCM21BR71E105KA56L
2	C4, C12	Capacitors, 10 μ F, 0805	TDK	C2012X5R1E106K085AC
2	C6, C13	Capacitors, 390 pF, 0603	AVX Corporation	0603YC391KAT2A
1	C10	Capacitor, 15 pF, 0402	Murata	GCM1555C1H150FA16D
1	C11	Capacitor, 10 μ F, 0603	TDK	C1608X5R1A106M080AC
2	E1, E2	Ferrite beads, 0402	Murata	BLM15HD182SN1D
2	E4, E5	Ferrite beads, 0603, 600 Ω at 100 MHz	Murata	BLM18HE601SN1D
2	GND1, GND2	Test points, black	Components Corporation	TP-105-01-00
1	J1	Coaxial, straight SMA connector	TE Connectivity	5-1814832-1
3	LK1, LK4, LK5	6-pin (3 \times 2), 0.1 inch header and shorting blocks	Multicomp	2213S-06G
1	LK2	8-pin (4 \times 2), 0.1 inch header and shorting block	Multicomp	2213S-08G
1	LK3	3-pin (3 \times 1), 0.1 inch header and shorting block	Molex	22-28-4033
2	LK6, LK7	2-pin (1 \times 2), 0.1 inch header and shorting blocks	Harwin	M20-9990246
4	P1 to P4	Three-way screw terminal connectors	Würth Elektronik	691131710003
4	R1, R3, R7, R8	Resistors, 0 Ω , 0603	Vishay	CRCW0603000ZRT1
1	R2	Resistor, 20 k Ω , 0603	Panasonic	ERJ-3EKF2002V
1	R4	Resistor, 13 k Ω , 0603	Panasonic	ERJ-3EKF1302V
1	R5	Resistor, 18.2 k Ω , 0603	Panasonic	ERJ-3EKF1822V
1	R6	Resistor, do not install (DNI), 0 Ω , 0603	Not applicable	Not applicable
1	R11	Resistor, 22.1 k Ω , 0603	Panasonic	ERJ-3EKF2212V
2	R9, R10	Resistors, DNI, 0805	Not applicable	Not applicable
1	RT1	Resistor, 120 Ω , 0805	Panasonic	ERJ-P6WF1200V
1	U1	Low power, 1 kHz to 20 MHz oscillator	Analog Devices, Inc.	LTC6900IS5#PBF
1	U2	Low noise CMOS LDO	Analog Devices	ADP7104ARDZ-R7
1	U3 ¹	25 Mbps, 3 kV signal and power isolated RS-485 transceiver	Analog Devices	ADM2565EBRNZ
1	U3 ¹	25 Mbps, 5.7 kV signal and power isolated RS-485 transceiver	Analog Devices	ADM2865EBRNZ
3	VCC, VIO, VISO	Test points, red	Components Corporation	TP-105-01-02

¹ The ADM2565E is the device for the EVAL-ADM2565EEBZ, and the ADM2865E is the device for the EVAL-ADM2865EEBZ board.

NOTES

**ESD Caution**

ESD (electrostatic discharge) sensitive device. Charged devices and circuit boards can discharge without detection. Although this product features patented or proprietary protection circuitry, damage may occur on devices subjected to high energy ESD. Therefore, proper ESD precautions should be taken to avoid performance degradation or loss of functionality.

Legal Terms and Conditions

By using the evaluation board discussed herein (together with any tools, components documentation or support materials, the "Evaluation Board"), you are agreeing to be bound by the terms and conditions set forth below ("Agreement") unless you have purchased the Evaluation Board, in which case the Analog Devices Standard Terms and Conditions of Sale shall govern. Do not use the Evaluation Board until you have read and agreed to the Agreement. Your use of the Evaluation Board shall signify your acceptance of the Agreement. This Agreement is made by and between you ("Customer") and Analog Devices, Inc. ("ADI"), with its principal place of business at One Technology Way, Norwood, MA 02062, USA. Subject to the terms and conditions of the Agreement, ADI hereby grants to Customer a free, limited, personal, temporary, non-exclusive, non-sublicensable, non-transferable license to use the Evaluation Board FOR EVALUATION PURPOSES ONLY. Customer understands and agrees that the Evaluation Board is provided for the sole and exclusive purpose referenced above, and agrees not to use the Evaluation Board for any other purpose. Furthermore, the license granted is expressly made subject to the following additional limitations: Customer shall not (i) rent, lease, display, sell, transfer, assign, sublicense, or distribute the Evaluation Board; and (ii) permit any Third Party to access the Evaluation Board. As used herein, the term "Third Party" includes any entity other than ADI, Customer, their employees, affiliates and in-house consultants. The Evaluation Board is NOT sold to Customer; all rights not expressly granted herein, including ownership of the Evaluation Board, are reserved by ADI. CONFIDENTIALITY. This Agreement and the Evaluation Board shall all be considered the confidential and proprietary information of ADI. Customer may not disclose or transfer any portion of the Evaluation Board to any other party for any reason. Upon discontinuation of use of the Evaluation Board or termination of this Agreement, Customer agrees to promptly return the Evaluation Board to ADI. ADDITIONAL RESTRICTIONS. Customer may not disassemble, decompile or reverse engineer chips on the Evaluation Board. Customer shall inform ADI of any occurred damages or any modifications or alterations it makes to the Evaluation Board, including but not limited to soldering or any other activity that affects the material content of the Evaluation Board. Modifications to the Evaluation Board must comply with applicable law, including but not limited to the RoHS Directive. TERMINATION. ADI may terminate this Agreement at any time upon giving written notice to Customer. Customer agrees to return to ADI the Evaluation Board at that time. LIMITATION OF LIABILITY. THE EVALUATION BOARD HEREUNDER IS PROVIDED "AS IS" AND ADI MAKES NO WARRANTIES OR REPRESENTATIONS OF ANY KIND WITH RESPECT TO IT. ADI SPECIFICALLY DISCLAIMS ANY REPRESENTATIONS, ENDORSEMENTS, GUARANTEES, OR WARRANTIES, EXPRESS OR IMPLIED, RELATED TO THE EVALUATION BOARD INCLUDING, BUT NOT LIMITED TO, THE IMPLIED WARRANTY OF MERCHANTABILITY, TITLE, FITNESS FOR A PARTICULAR PURPOSE OR NON-INFRINGEMENT OF INTELLECTUAL PROPERTY RIGHTS. IN NO EVENT WILL ADI AND ITS LICENSORS BE LIABLE FOR ANY INCIDENTAL, SPECIAL, INDIRECT, OR CONSEQUENTIAL DAMAGES RESULTING FROM CUSTOMER'S POSSESSION OR USE OF THE EVALUATION BOARD, INCLUDING BUT NOT LIMITED TO LOST PROFITS, DELAY COSTS, LABOR COSTS OR LOSS OF GOODWILL. ADI'S TOTAL LIABILITY FROM ANY AND ALL CAUSES SHALL BE LIMITED TO THE AMOUNT OF ONE HUNDRED US DOLLARS (\$100.00). EXPORT. Customer agrees that it will not directly or indirectly export the Evaluation Board to another country, and that it will comply with all applicable United States federal laws and regulations relating to exports. GOVERNING LAW. This Agreement shall be governed by and construed in accordance with the substantive laws of the Commonwealth of Massachusetts (excluding conflict of law rules). Any legal action regarding this Agreement will be heard in the state or federal courts having jurisdiction in Suffolk County, Massachusetts, and Customer hereby submits to the personal jurisdiction and venue of such courts. The United Nations Convention on Contracts for the International Sale of Goods shall not apply to this Agreement and is expressly disclaimed.

X-ON Electronics

Largest Supplier of Electrical and Electronic Components

Click to view similar products for [Interface Development Tools](#) category:

Click to view products by [Analog Devices](#) manufacturer:

Other Similar products are found below :

[DP130SSEVM](#) [ISO3086TEVM-436](#) [ADP5585CP-EVALZ](#) [CHA2066-99F](#) [AS8650-DB](#) [MLX80104 TESTINTERFACE](#) [I2C-CPEV/NOPB](#)
[ISO35TEVM-434](#) [416100120-3](#) [XR18910ILEVB](#) [XR21B1421IL28-0A-EVB](#) [EVAL-ADM2491EEBZ](#) [MAXREFDES23DB#](#)
[MAX9286COAXEVKIT#](#) [MAX3100EVKIT](#) [MAX13235EEVKIT](#) [MAX14970EVKIT#](#) [XR21B1424IV64-0A-EVB](#) [CMOD232+](#)
[MAX13042EEVKIT+](#) [MAX14838EVKIT#](#) [MAXCAM705OV635AAA#](#) [MAX9205EVKIT](#) [DS100BR111AEVK/NOPB](#) [DC241C](#)
[MAX9286RCARH3DB#](#) [MAX13035EEVKIT+](#) [DC1794A](#) [SN65HVS885EVM](#) [EVB81112-A1](#) [DFR0257](#) [ZLR964122L](#) [ZLR88822L](#)
[DC196A-B](#) [DC196A-A](#) [DC327A](#) [OM13585UL](#) [MAX16972AGEEVKIT#](#) [MARS1-DEMO3-ADAPTER-GEVB](#) [MAX7315EVKIT+](#) [PIM511](#)
[PIM536](#) [PIM517](#) [DEV-17512](#) [STR-FUSB3307MPX-PPS-GEVK](#) [MAXREFDES177#](#) [EVAL-ADM2567EEBZ](#) [EVAL-ADN4654EBZ](#)
[MAX9275COAXEVKIT#](#) [MAX2202XEVKIT#](#)