

## ADuC7026 Evaluation Board Reference Guide

by Aude Richard

### TABLE OF CONTENTS

Evaluation Board Overview.....	1
Evaluation Board Features.....	1
DIP Switch Link Options.....	2
External Connectors.....	3
External Memory Interface.....	5
Potentiometer Demonstration Circuit .....	6
Schematic.....	7
Parts List .....	9

### OVERVIEW

The ADuC7026 evaluation board has the following features:

- 2-Layer PCB (4" × 5" form factor)
- 9 V power supply regulated to 3.3 V on board
- 4-pin UART header to connect to RS-232 interface cable
- 20-pin standard JTAG connector to connect to ULINK emulator
- Demonstration circuit
- 32.768 kHz watch crystal to drive the PLL clock
- ADR291 2.5 V external reference chip
- Reset/Download/IRQ0 push-buttons
- Power indicator/general-purpose LEDs
- Access to all ADC inputs and DAC output from external header. All device ports are brought out to external header pins.
- Surface-mount and through hole general-purpose prototype area
- External memory and latch footprint

### Notes

1. This document refers to the MicroConverter ADuC7026 Eval Board, Rev. A1.
2. All references in this document to physical orientation of components on the board are made with respect to a component side view of the board with the prototype area appearing in the bottom of the board.
3. The board is laid out to minimize coupling between the analog and digital sections of the board. To this end, the ground plane is split with the analog section on the left-

hand side and a digital plane on the right-hand side of the board. The regulated 3.3 V power supply is routed directly to the digital section and is filtered before being routed into the analog section of the board.

### FEATURES

#### Power Supply

The user should connect the 9 V power supply via the 2.1 mm input power socket (J5). The input connector is configured as CENTER NEGATIVE, i.e., GND on the center pin and +9 V on the outer shield.

This 9 V supply is regulated via a linear voltage regulator (U5). The 3.3 V regulator output is used to drive the digital side of the board directly. The 3.3 V supply is also filtered and then used to supply the analog side of the board.

When on, the red LED (D3) indicates that a valid 3.3 V supply is being driven from the regulator circuit. All active components are decoupled with 0.1  $\mu$ F at device supply pins to ground.

#### RS-232 Interface

The ADuC7026 (U1) P1.1 and P1.0 lines are connected to the RS-232 interface cable via connector (J1). The interface cable generates the required level shifting to allow direct connection to a PC serial port. Ensure that the cable supplied is connected to the board correctly, i.e., DVDD is connected to DVDD and DGND is connected to DGND.

#### Emulation Interface

Nonintrusive emulation and download are possible on the ADuC7026 via JTAG by connecting the ULINK emulator to the J4 connector.

#### Crystal Circuit

The board is fitted with a 32.768 kHz crystal, from which the on-chip PLL circuit can generate a 45 MHz clock.

#### External Reference (ADR291)

The external 2.5 V reference chip (U2) has two functions. It is provided on the evaluation board to demonstrate the external reference option of the ADuC7026, but its main purpose is to generate the  $V_{OCM}$  voltage of the differential amplifier, if required.

#### Reset/Download/IRQ0 Push-buttons

A RESET push-button is provided to allow the user to manually reset the part. When inserted, the RESET pin of the ADuC7026 will be pulled to DGND. Because the

RESET pin on the ADuC7026 is Schmitt-triggered internally there is no need to use an external Schmitt trigger on this pin.

When inserted the IRQ0 push-button switch drives P0.4/IRQ0 high. This can be used to initiate an external interrupt 0.

To enter serial download mode the user must pull the P0.0/BM pin low while reset is toggled. On the evaluation board, serial download mode can be easily initiated by holding down the serial download push-button (S2) while inserting and releasing the reset button (S3) as illustrated in Figure 1.

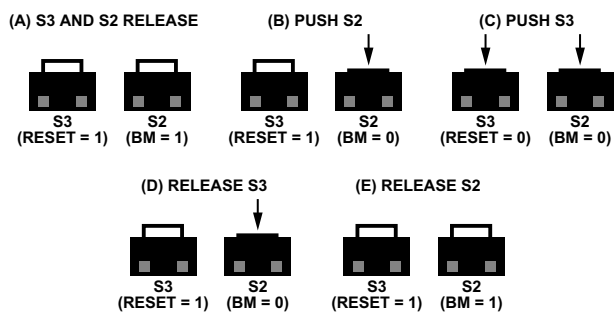


Figure 1. Entering Serial Download Mode on the Evaluation Board

#### Power Indicator/General-Purpose LEDs

A red power LED (D3) is used to indicate that a sufficient supply is available on the board. A general-purpose LED (D2) is directly connected to P4.2 of the ADuC7026. When P4.2 is cleared the LED will be turned on, and when P4.2 is set, the LED will be turned off.

#### Analog I/O Connections

All analog I/O are brought out on header J3.

ADC0 and ADC1 are buffered using an AD8606 to evaluate single-ended and pseudo differential mode. A potentiometer can be connected to ADC0 buffered.

ADC3 and ADC4 can be buffered with a single-ended to differential op amp on board, the AD8132, used to evaluate the ADC in fully differential mode.

ADC2 and ADC5 to ADC11 are not buffered. Be sure to follow the data sheet recommendation when connecting signals to these inputs.

DAC1 can be used to control the brightness of the green LED D1, when connected via the S1 switch.

#### General-Purpose Prototype Area

General-purpose prototype areas are provided at the bottom of the evaluation board for adding external components as required in the user's application. As can be seen from the layout AV<sub>DD</sub>, AGND, V<sub>DDIO</sub>, and DGND tracks are provided in this prototype area.

#### External Memory and Latch Footprint

Footprint for a 32 kB × 16 static RAM (CY7C1020CV33) and 16-bit latch is also on board. See External Memory Interface section.

#### DIP SWITCH LINK OPTIONS

##### S1-1 VREF

Function: Connects the output of the 2.5 V external reference (ADR291) to the VREF pin (Pin 55) of the ADuC7026.

Use: Slide S1-1 to the on position to connect the external reference to the ADuC7026.

Slide S1-1 to the off position to use the internal 2.5 V reference or a different external reference on VREF pin of J3 header.

##### S1-2 V<sub>OCM</sub>

Function: Connects 1.67 V to the V<sub>OCM</sub> pin of the AD8132. No extra dc voltage is required on the board to use the ADC in differential mode.

Use: Slide S1-2 to the on position to connect V<sub>OCM</sub> of the differential amplifier to 1.67 V, divided output of the ADR291 reference.

Slide S1-2 to the off position to use a different voltage for V<sub>OCM</sub> by connecting a dc voltage to the V<sub>OCM</sub> pin of J3 header. Note that V<sub>OCM</sub> value is dependent on reference value as shown in Table 1.

Table 1. V<sub>OCM</sub> Range

V <sub>REF</sub>	V <sub>OCM min</sub>	V <sub>OCM max</sub>
2.5 V	1.25 V	2.05 V
2.048 V	1.024 V	2.276 V
1.25 V	0.75 V	2.55 V

##### S1-3 POT

Function: Connects the potentiometer output to ADC0. This input is buffered by an AD8606. This is for demonstration purposes.

Use: Slide S1-3 to the on position to connect the potentiometer to the op amp of ADC0 input channel.

Slide S1-3 to the off position to use ADC0 input on J3 header.

##### S1-4 ADC3

Function: Brings out ADC3 (Pin 64) on J3 header.

Use: Slide S1-6 to the on position to connect directly ADC3 of J3 header to ADC3 pin (Pin 64) of the ADuC7026.

Slide S1-6 to the off position to disconnect ADC3 of J3 header from ADC3 pin (Pin 64) of the ADuC7026.

**S1-5 VIN-**

**Function:** Connects –OUT of the single-ended to differential op amp (AD8132) to ADC3. S1-5 and S1-6 must be used together, when VIN– is in the on position, VIN+ must also be in the on position to use the differential op amp on channel ADC3 and ADC4.

**Use:** Slide S1-5 to the on position to connect –OUT of the AD8132 to ADC3.

Slide S1-5 to the off position to use ADC3 without the AD8132.

**S1-6 VIN+**

**Function:** Connects +OUT of the single-ended to differential op amp (AD8132) to ADC4. When VIN+ is in the on position, VIN– must also be in the on position to use the differential op amp on channel ADC3 and ADC4.

**Use:** Slide S1-6 to the on position to connect +OUT of AD8132 to ADC4.

Slide S1-6 to the off position to use ADC4 without the AD8132.

**S1-7 ADC4**

**Use:** Slide S1-6 to the on position to connect directly ADC4 of J3 header to ADC4 pin (Pin 1) of the ADuC7026.

Slide S1-6 to the off position to disconnect ADC4 of J3 header from ADC4 pin (Pin 1) of the ADuC7026.

**S1-8 LED**

**Function:** Connects the DAC1 output to the green LED of the demo circuit, D1.

**Use:** Slide S1-7 to the on position to connect the DAC1 output to D1.

Slide S1-7 to the off position to use DAC1 output on J3 header.

**EXTERNAL CONNECTORS****J3 Analog I/O Connector**

The analog I/O connector J3 provides external connections for all ADC inputs, reference inputs, and DAC outputs. The pinout of the connector is shown in Table 2.

**Table 2. Pin Functions for Analog I/O Connector J3**

Pin Number	Pin Description
J3-1	AV <sub>DD</sub>
J3-2	AGND
J3-3	V <sub>REF</sub>
J3-4	DAC <sub>REF</sub>
J3-5	ADC0
J3-6	ADC1
J3-7	ADC2
J3-8	ADC3
J3-9	ADC4
J3-10	ADC5
J3-11	ADC6
J3-12	ADC7
J3-13	ADC8
J3-14	ADC9
J3-15	ADC10
J3-16	ADC11
J3-17	V <sub>DIFF</sub>
J3-18	V <sub>OCM</sub>
J3-19	DAC0
J3-20	DAC1
J3-21	DAC2
J3-22	DAC3
J3-23	ADC <sub>NEG</sub>
J3-24	AGND

**J5 Power Supply Connections**

J5 allows for the connection between the evaluation board and the 9 V power supply provided in the ADuC7026 Development System.

**J4 Emulation Connector**

J4 provides a connection of the evaluation board to the PC via a USB cable and ULINK provided in the ADuC7026 Development System.

**J1 Serial Interface Connector**

J1 provides a simple connection of the evaluation board to the PC via a PC serial port cable provided with the ADuC7026 Development System.

**J2 Digital I/O Connector**

The digital I/O connector J2 provides external connections for all GPIOs. The pinout of the connector is shown in Table 3, with details of the pin functions.

Table 3. Pin Functions for Digital I/O Connector J2

Pin Number	Pin Description
J2-1	DGND
J2-2	P4.5 AD13/PLAO[13]
J2-3	P4.4 AD12/PLAO[12]
J2-4	P4.3 AD11/PLAO[11]
J2-5	P4.2 AD10/PLAO[10]
J2-6	P1.0 SIN/SCL0/PLAI[0]
J2-7	P1.1 SOUT/SDA0/PLAI[1]
J2-8	P1.2 RTS/SCL1/PLAI[2]
J2-9	P1.3 CTS/SDA1/PLAI[3]
J2-10	P1.4 RI/CLK/PLAI[4]
J2-11	P1.5 DCD/MISO/PLAI[5]
J2-12	P4.1 AD9/PLAO[9]
J2-13	P4.0 AD8/PLAO[8]
J2-14	P1.6 DSR/MOSI/PLAI[6]
J2-15	P1.7 DTR/CSL/PLAO[0]
J2-16	P2.2 RS/PLAO[7]
J2-17	P2.1 WS/PLAO[6]
J2-18	P2.7 PWM1L/MS3
J2-19	P3.7 PWM <sub>SYNC</sub> /AD7/PLAI[15]
J2-20	P3.6 PWM <sub>TRIP</sub> /AD6/PLAI[14]
J2-21	P0.7 ECLK/SIN/PLAO[4]

Pin Number	Pin Description
J2-22	P2.0 CONV/SOUT/PLAO[5]
J2-23	P0.5 IRQ1/ADC <sub>BUSY</sub> /MS0/PLAO[2]
J2-24	P0.4 IRQ0/PWM <sub>TRIP</sub> /MS1/PLAO[1]
J2-25	P3.5 PWM2L/AD5/PLAI[13]
J2-26	P3.4 PWM2H/AD4/PLAI[12]
J2-27	P2.6 PWM1H/MS2
J2-28	P2.5 PWM0L/MS1
J2-29	P0.3 TRST/A[16]/ADC <sub>BUSY</sub>
J2-30	P2.4 PWM0H/MS0
J2-31	P3.3 PWM1L/AD3/PLAI[11]
J2-32	P3.2 PWM1H/AD2/PLAI[10]
J2-33	P3.1 PWM0L/AD1/PLAI[9]
J2-34	P3.0 PWM0H/AD0/PLAI[8]
J2-35	P0.2 TDO/PWM2L/BEL
J2-36	P0.6 T2CLK/MRST/AE/PLAO[3]
J2-37	P0.0 CMP <sub>OUT</sub> /MS2/PLAI[7]
J2-38	P4.7 AD15/PLAO[15]
J2-39	P4.6 AD14/PLAO[14]
J2-40	P2.3 AE
J2-41	P0.1 TDI/PWM2H/BEH
J2-42	DGND

**EXTERNAL MEMORY INTERFACE**

A footprint for a 32 kB × 16 SRAM is provided on board as well as a footprint for a 16-bit D-latch since address and data are multiplexed on the external bus.

The memory footprint is for a CY7C1020CV33 and the latch footprint is for a 74LVT16373AGG.

Note that you can use different versions of the CY7C1020CV33 memory, with different access times. Wait states can be added in the XMxPAR register to allow interfacing a slower memory if required.

**Connections**

Controls:  $\overline{RS}$ ,  $\overline{WS}$ , and AE are the minimum control signals of any memory interface.  $\overline{MSO}$ , memory select is connected to  $\overline{CE}$  to enable the memory only when necessary.  $\overline{BHE}$  and  $\overline{BLE}$  allow the user to select the high or low byte of the 16-bit memory.

Data: 16 bits of data AD[15-0] are directly connected from the ADuC7026 to the memory.

Addresses: To address 32 kB, only a 14-bit address is required.

There are two ways of addressing a 16-bit memory:

1. Connecting AD[14-0] to A[14-0]. To enable it requires dynamic addressing (set Bit 11 in XMxPAR) to address in 16-bit mode instead of 8-bit mode.
2. Connecting AD[15-1] of the ADuC702x to A[14-0] of the memory, without using dynamic addressing.

On the evaluation board, AD[14-0] are connected. In software, dynamic addressing must be enabled.

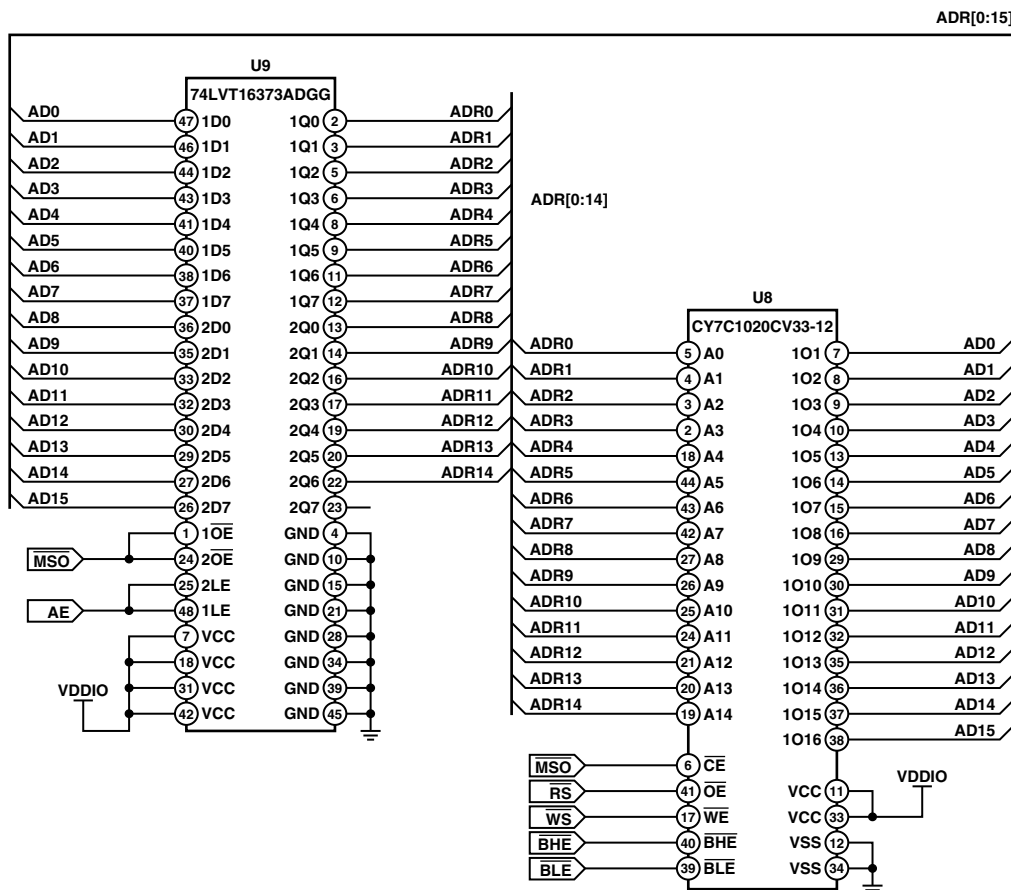


Figure 2. External Memory Connections

## POTENTIOMETER DEMONSTRATION CIRCUIT

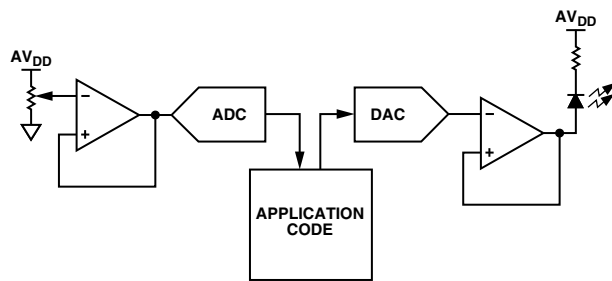


Figure 3. Circuit Diagram of the RTD Circuit

Using the sample code in `\adc\pot.c`, the variation in the potentiometer resistance can be seen on the output LED.

Note that the internal and external references are 2.5 V, which gives an ADC input range of 0 V to 2.5 V in single-ended mode. The potentiometer can give a voltage between 0 V and  $AV_{DD} = 3.3$  V.

SCHEMATIC

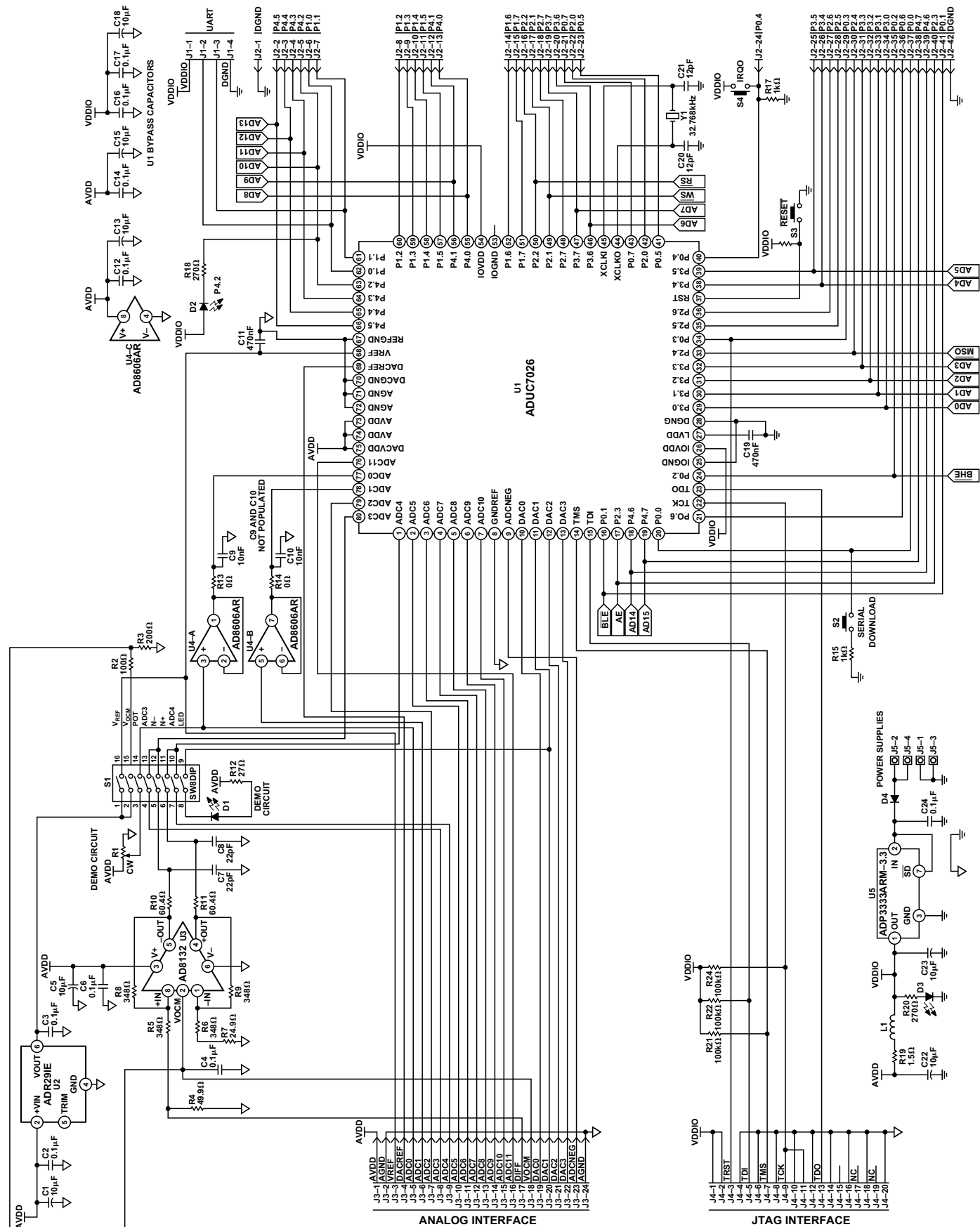


Figure 4. ADuC7026 Evaluation Board Schematic

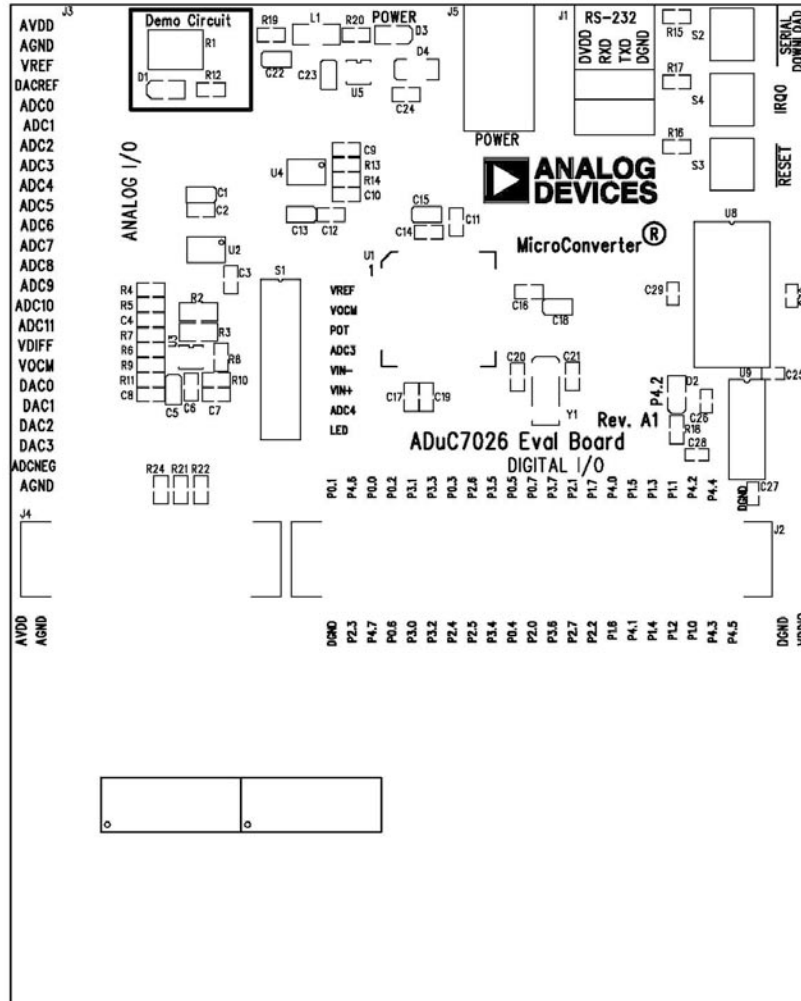


Figure 5. ADuC7026 Evaluation Board Silkscreen



Table 4. ADuC7026 Evaluation Board Parts List

Component	Qty	Part	Description	Order Number	Order From
EVAL- ADuC7026QS QuickStart PCB	1	PCB-1	2-sided surface-mount PCB		
PCB Standoff	4	Standoff	Stick on mounting feet	148-922	Farnell
U1	1	ADuC7026	MicroConverter (80 LQFP)	ADuC7026CP	ADI
U2	1	ADR291	Band gap reference	ADR291ER	ADI
U3	1	AD8132	Differential op amp	AD8132ARM	ADI
U4	1	AD8606	Dual op amp, (8-pin SOIC)	AD8606AR	ADI
U5	1	ADP3333	Fixed 3.3 V linear voltage regulator	ADP3333ARM3.3	ADI
U8 (NOT POPULATED)	0	CY7C1020CV33-12	32 kB × 16 static RAM	CY7C1020CV33-12	
U9 (NOT POPULATED)	0	74LVT16373ADGG	16-bit D-Latch	74LVT16373ADGG	
Y1	1	32.768 kHz	Watch crystal	316-0312	Farnell
S1	1	SW8DIP	8-way DIP switch	566-718	Farnell
S2, S3, S4	3	Push-button switch	PCB-mounted push-button switch	177-807	Farnell
D1, D2, D3	3	LED	1.8 mm miniature LED	515-620	Farnell
D4	1	PRL4002	Diode	BAV103DITR-ND	Digi-Key
C1, C5, C13, C15, C18, C22, C23	7	10 $\mu$ F	Surface-mount tantalum cap, Taj-B case	197-130	Farnell
C2–C4, C6, C12, C14, C16, C17, C24	9	0.1 $\mu$ F	Surface-mount tantalum cap, 0603 case	317-287	Farnell
C7, C8	2	22 pF	Surface-mount tantalum cap, 0603 case	722-005	Farnell
C11, C19	2	470 nF	Surface-mount tantalum cap, 0603 case	318-8851	Farnell
C20, C21	2	12 pF	Surface-mount tantalum cap, 0603 case	721-979	Farnell
R1	1	10K potentiometer	0.25 W –4 Series 4 mm square sealed	307-1741	Farnell
R2	1	100 $\Omega$	Surface-mount resistor, 0603 case	911-732	Farnell
R3	1	200 $\Omega$	Surface-mount resistor, 0603 case	321-7978	Farnell
R4	1	49.9 $\Omega$	Surface-mount resistor, 0805 case	422-1825	Farnell
R5, R6, R8, R9	4	348 $\Omega$	Surface-mount resistor, 0603 case	422-2570	Farnell
R7	1	24.9 $\Omega$	Surface-mount resistor, 0805 case	422-1539	Farnell
R10, R11	2	60.4 $\Omega$	Surface-mount resistor, 0805 case	422-1904	Farnell
R12, R20	2	270 $\Omega$	Surface-mount resistor, 0603 case	613-022	Farnell

Table 4. ADuC7026 Evaluation Board Parts List (Continued)

Component	Qty	Part	Description	Order Number	Order From
R13, R14	2	0 $\Omega$	Surface-mount resistor, 0603 case	772-227	Farnell
R15–R18	4	1 k $\Omega$	Surface-mount resistor, 0603 case	911-239	Farnell
R19	1	1.5 $\Omega$	Surface-mount resistor, 0603 case	758-267	Farnell
R21, R22, R24	3	100 k $\Omega$	Surface-mount resistor, 0603 case	911-471	Farnell
L1	1	Ferrite bead	Surface-mount inductor, 1206 case	581-094	Farnell
J1	1	4-pin header	4-pin 90° single row header	TSM-104-02-T-SH	Samtec
J2	1	32-pin header	32-pin straight single row header	TSM-132-01-T-SV	Samtec
J3	1	20-pin header	20-pin straight single row header	TSM-120-01-T-SV	Samtec
J4	1	20-pin header	20-pin connector	IMP-BV(SMT)-20	Imperial- Connector Systems
J5	1		PCB-mounted socket (2 mm pin diameter)	KLD-SMT2-0202-A	Kycon



**Purchase of licensed I<sup>2</sup>C components of Analog Devices or one of its sublicensed Associated Companies conveys a license for the purchaser under the Philips I<sup>2</sup>C Patent Rights to use these components in an I<sup>2</sup>C system, provided that the system conforms to the I<sup>2</sup>C Standard Specification as defined by Philips.**

© 2004 Analog Devices, Inc. All rights reserved. Trademarks and registered trademarks are the property of their respective owners.

## X-ON Electronics

Largest Supplier of Electrical and Electronic Components

*Click to view similar products for [Development Boards & Kits - ARM category](#):*

*Click to view products by [Analog Devices manufacturer](#):*

Other Similar products are found below :

[SAFETI-HSK-RM48](#) [PICOHOBBITFL](#) [CC-ACC-MMK-2443](#) [TWR-MC-FRDMKE02Z](#) [EVALSPEAR320CPU](#) [EVB-SCMIMX6SX](#)  
[MAX32600-KIT#](#) [TMDX570LS04HDK](#) [TXSD-SV70](#) [OM13080UL](#) [EVAL-ADUC7120QSPZ](#) [OM13082UL](#) [TXSD-SV71](#)  
[YGRPEACHNORMAL](#) [OM13076UL](#) [PICODWARFFL](#) [YR8A77450HA02BG](#) [3580](#) [32F3348DISCOVERY](#) [ATTINY1607](#) [CURIOSITY](#)  
[NANO](#) [PIC16F15376](#) [CURIOSITY NANO BOARD](#) [PIC18F47Q10](#) [CURIOSITY NANO](#) [VISIONSTK-6ULL V.2.0](#) [80-001428](#) [DEV-17717](#)  
[EAK00360](#) [YR0K77210B000BE](#) [RTK7EKA2L1S00001BE](#) [MAX32651-EVKIT#](#) [SLN-VIZN-IOT](#) [LV18F V6 DEVELOPMENT SYSTEM](#)  
[READY FOR AVR BOARD](#) [READY FOR PIC BOARD](#) [READY FOR PIC \(DIP28\)](#) [EVB-VF522R3](#) [AVRPLC16 V6 PLC SYSTEM](#)  
[MIKROLAB FOR AVR XL](#) [MIKROLAB FOR PIC L](#) [MINI-AT BOARD - 5V](#) [MINI-M4 FOR STELLARIS](#) [MOD-09.Z](#) [BUGGY +](#)  
[CLICKER 2 FOR PIC32MX + BLUETOOT](#) [1410](#) [LETS MAKE PROJECT PROGRAM. RELAY PIC](#) [LETS MAKE - VOICE](#)  
[CONTROLLED LIGHTS](#) [LPC-H2294](#) [DSPIC-READY2 BOARD](#) [DSPIC-READY3 BOARD](#) [MIKROBOARD FOR ARM 64-PIN](#)  
[MIKROLAB FOR AVR](#)