

Devices Connected/Referenced

| | |
|---------|--|
| ADXL362 | Nanopower, 3-Axis, $\pm 2 g$, $\pm 4 g$, and $\pm 8 g$ Digital Output MEMS Accelerometer |
| ADP195 | Logic Controlled, High-Side Power Switch with Reverse Current Blocking |

Ultralow Power, 3-Axis, Motion Activated Switch

EVALUATION AND DESIGN SUPPORT

Circuit Evaluation Boards

[CN-0274 Circuit Evaluation Board \(EVAL-CN0274-SDPZ\)](#)

[System Demonstration Platform \(EVAL-SDP-CS1Z\)](#)

Design and Integration Files

[Schematics, Layout Files, Bill of Materials](#)

CIRCUIT FUNCTION AND BENEFITS

The combination of parts shown in Figure 1 provides an ultralow power, 3-axis, motion activated power switch solution capable of controlling up to 1.1 A of load current. The circuit is ideal for applications where extended battery life is critical. When the switch is off, the battery current is less than 300 nA, and when the switch is on, it draws less than 3 μ A. The circuit provides an industry leading, low power motion sensing solution suitable for wireless sensors, metering devices, home healthcare, and other portable applications.

The 3-axis accelerometer controls the high-side switch by monitoring the acceleration in three axes and closes or opens the switch depending on the presence or absence of motion.

The ADXL362 is an ultralow power, 3-axis accelerometer that consumes less than 100 nA in wake-up mode. Unlike accelerometers that use power duty cycling to achieve low power consumption, the ADXL362 does not alias input signals by under sampling; it samples continuously at all data rates. There is also an on-chip, 12-bit temperature sensor accurate to $\pm 0.5^\circ$.

The ADXL362 provides 12-bit output resolution and has three operating ranges, $\pm 2 g$, $\pm 4 g$, and $\pm 8 g$. It is specified over a minimum temperature range of -40°C to $+85^\circ\text{C}$. For applications where a noise level less than $480 \mu\text{g}/\sqrt{\text{Hz}}$ is desired, either of its two lower noise modes (down to $120 \mu\text{g}/\sqrt{\text{Hz}}$) can be selected at a minimal increase in supply current.

The ADP195 is a high-side load switch designed for operation between 1.1 V and 3.6 V and is protected against reverse current flow from output to input. The device contains a low on-resistance, P-channel MOSFET that supports over 1.1 A of continuous load current and minimizes power losses.

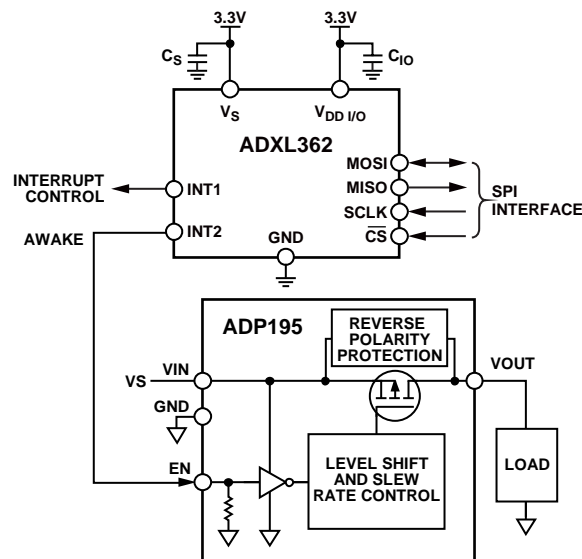


Figure 1. Ultralow Power Standalone Motion Switch (Simplified Schematic: Decoupling and All Connections Not Shown)

Rev. A

Circuits from the Lab™ circuits from Analog Devices have been designed and built by Analog Devices engineers. Standard engineering practices have been employed in the design and construction of each circuit, and their function and performance have been tested and verified in a lab environment at room temperature. However, you are solely responsible for testing the circuit and determining its suitability and applicability for your use and application. Accordingly, in no event shall Analog Devices be liable for direct, indirect, special, incidental, consequential or punitive damages due to any cause whatsoever connected to the use of any Circuits from the Lab circuits. (Continued on last page)

Basic Operation of the ADXL362

The ADXL362 is a three-axis, ultralow power acceleration measurement system capable of measuring dynamic acceleration (resulting from motion or shock) as well as static acceleration (that is, gravity).

The moving component of the sensor is a polysilicon, surface micromachined structure, also referred to as a beam, built on top of a silicon wafer. Polysilicon springs suspend the structure over the surface of the wafer and provide a resistance against acceleration forces.

Deflection of the structure is measured using differential capacitors. Each capacitor consists of independent fixed plates and plates attached to the moving mass. Any acceleration deflects the beam and unbalances the differential capacitor, resulting in a sensor output whose amplitude is proportional to acceleration. Phase-sensitive demodulation is used to determine the magnitude and polarity of the acceleration.

Modes of Operation

The three basic modes of operation for the ADXL362 are standby, measurement, and wake-up.

- Placing the ADXL362 in *standby mode* suspends measurement and reduces current consumption to 10 nA. Any pending data or interrupts are preserved; however, no new information is processed. The ADXL362 powers up in standby mode with all sensor functions turned off.
- *Measurement mode* is the normal operating mode of the ADXL362. In this mode, acceleration data is continuously read, and the accelerometer consumes less than 3 μA across its entire range of output data rates of up to 400 Hz using a 2.0 V supply. All described features are available while operating in this mode. The ability to continuously output data from the minimum 12.5 Hz to the maximum 400 Hz data rate while still delivering less than 3 μA of current consumption is what defines the ADXL362 as an ultralow power accelerometer. Under sampling and aliasing do not occur with the ADXL362 because it continuously samples the full bandwidth of its sensor at all data rates.
- *Wake-up mode* is ideal for simple detection of the presence or absence of motion at extremely low power consumption (270 nA at a 2.0 V supply voltage). Wake-up mode is useful particularly for implementation of a motion-activated on/off switch, allowing the rest of the system to be powered down until activity is detected. Wake-up mode reduces current consumption to a very low level by measuring acceleration only 6 times a second to determine whether motion is present. In wake-up mode, all accelerometer features are available with the exception of the activity timer. All registers are accessible, and real-time data is available from the part.

The CN0274 evaluation software uses the wake-up mode of the ADXL362. That is, the ADXL362 is asleep until it detects motion at which point it enters measurement mode.

Power/Noise Tradeoff

The ADXL362 offers a few options for decreasing noise at the expense of only a small increase in current consumption.

The noise performance of the ADXL362 in normal operation, typically 7 LSB rms at 100 Hz bandwidth, is adequate for most applications, depending upon bandwidth and the desired resolution. For cases where lower noise is needed, the ADXL362 provides two lower noise, operating modes that trade reduced noise for somewhat higher supply current.

Table 1. ADXL362 Noise vs. Supply Current

| Mode | Noise ($\mu\text{g}/\sqrt{\text{Hz}}$ Typical) | Current Consumption (μA Typical) |
|------------------|---|--|
| Normal Operation | 380 | 2.7 |
| Low Noise | 280 | 4.5 |
| Ultralow Noise | 175 | 15 |

Table 1 shows the supply current values and noise densities obtained for normal operation and the two lower noise modes, at a typical 3.3 V supply.

The CN0274 evaluation software uses the normal operation noise mode of the ADXL362.

Motion Detection

The ADXL362 has built-in logic that detects activity (acceleration above a certain threshold) and inactivity (lack of acceleration above a certain threshold).

Detection of an activity or inactivity event is indicated in the status register and can also be configured to generate an interrupt. In addition, the activity status of the device, that is, whether it is moving or stationary, is indicated by the AWAKE bit.

Activity and inactivity detection can be used when the accelerometer is in either measurement mode or wake-up mode.

Activity Detection

An activity event is detected when acceleration stays above a specified threshold for a user-specified time period. The two activity detection events are absolute and referenced.

- When using *absolute activity detection*, acceleration samples are compared to a user set threshold to determine whether motion is present. For example, if a threshold of 0.5 g is set, and the acceleration on any axis is 1 g for longer than the user defined activity time, the activity status is asserted. In many applications, it is advantageous for activity detection to be based not on an absolute threshold but on a deviation from a reference point or orientation. This is particularly useful because it removes the effect on activity detection of the static 1 g imposed by gravity. When an accelerometer is stationary, its output can reach 1 g, even when it is not moving. In absolute activity, if the threshold is set to less than 1 g, activity is immediately detected in this case.
- In the *referenced activity detection*, activity is detected when acceleration samples are at least a user set amount above an internally defined reference, for the user defined amount of time. The reference is calculated when activity detection is engaged, and the first sample obtained is used as a reference point. Activity is only detected when the acceleration has deviated sufficiently from this initial orientation. The referenced configuration results in a very sensitive activity detection that detects even the most subtle motion events.

The [CN0274 evaluation software](#) uses the referenced mode of operation when searching for activity.

Inactivity Detection

An inactivity event is detected when acceleration remains below a specified threshold for a specified time. The two inactivity detection events are absolute and referenced.

- In *absolute inactivity detection*, acceleration samples are compared to a user set threshold for the user set time to determine the absence of motion.
- In *referenced inactivity detection*, acceleration samples are compared to a user specified reference for a user defined amount of time. When the part first enters the awake state, the first sample is used as a reference point, and the threshold is applied around it. If the acceleration stays inside the threshold, the part enters the asleep state. If an acceleration value moves outside the threshold, this point is then used as a new reference, and the thresholds are reapplied to this new point.

The [CN0274 evaluation software](#) uses the referenced mode of operation when searching for inactivity.

Linking Activity and Inactivity Detection

The activity and inactivity detection functions can be used concurrently, and processed manually by a host processor, or they can be configured to interact in several ways:

- In *default mode*, activity and inactivity detection are both enabled, and all interrupts must be serviced by a host processor; that is, a processor must read each interrupt before it is cleared and can be used again.
- In *linked mode*, activity and inactivity detection are linked to each other such that only one of the functions is enabled at any given time. Once activity is detected, the device is assumed moving or awake and stops looking for activity; inactivity is expected as the next event so only inactivity detection operates. When inactivity is detected, the device is assumed stationary or asleep. Activity is now expected as the next event so that only activity detection operates. In this mode, a host processor must service each interrupt before the next is enabled.
- In *loop mode*, motion detection operates as previously described in linked mode; however, interrupts do not need to be serviced by a host processor. This configuration simplifies the implementation of commonly used motion detection and enhances power savings by reducing the amount of power used in bus communication.
- When enabling *autosleep mode* in linked mode or loop mode, it causes the device to autonomously enter wake-up mode when inactivity is detected, and reenter measurement mode when activity is detected.

The [CN0274 evaluation software](#) uses the autosleep and loop modes to demonstrate the functionality of the [ADXL362](#).

The AWAKE Bit

The AWAKE bit is a status bit that indicates whether the [ADXL362](#) is awake or asleep. The device is awake when it has seen an activity condition, and the device is asleep when it has seen an inactivity condition.

The awake signal can be mapped to the INT1 or INT2 pin and can thus be used as a status output to connect or disconnect power to downstream circuitry based on the awake status of the accelerometer. Used in conjunction with loop mode, this configuration implements a trivial, autonomous motion-activated switch.

If the turn-on time of the downstream circuitry can be tolerated, this motion switch configuration can save significant system-level power by eliminating the standby current consumption of the rest of the application. This standby current can often exceed the full operating current of the [ADXL362](#).

Interrupts

Several of the built-in functions of the [ADXL362](#) can trigger interrupts to alert the host processor of certain status conditions.

Interrupts may be mapped to either (or both) of two designated output pins, INT1 and INT2, by setting the appropriate bits in the INTMAP1 and INTMAP2 registers. All functions can be used simultaneously. If multiple interrupts are mapped to one pin, the OR combination of the interrupts determines the status of the pin.

If no functions are mapped to an interrupt pin, that pin is automatically configured to a high impedance (high-Z) state. The pins are placed in this state upon a reset as well.

When a certain status condition is detected, the pin that condition is mapped to is activated. The configuration of the pin is active high by default, so that when it is activated, the pin goes high. However, this configuration can be switched to active low by setting the INT_LOW pin in the appropriate INTMAP register.

The INT pins may be connected to the interrupt input of a host processor and interrupts responded to with an interrupt routine. Because multiple functions can be mapped to the same pin, the STATUS register can be used to determine which condition caused the interrupt to trigger.

The [CN0274 evaluation software](#) configures the [ADXL362](#) such that when activity is detected, the INT1 pin is high, and when inactivity is detected, the INT1 pin is low.

Test Results

All testing was performed using the [EVAL-CN0274-SDPZ](#) and the [EVAL-SDP-CS1Z](#). Functionality of the part is demonstrated by setting the activity threshold at 0.5 g, the inactivity threshold at 0.75 g, and the number of inactivity samples at 20. When looking for activity, only one acceleration sample on any axis is required to cross the threshold.

Starting with the circuit oriented so that the battery pack is flat against the table, the printed circuit board (PCB) can be slowly rotated 90° in any direction causing the acceleration to cross the threshold as it approaches perpendicular to the initial orientation.

Figure 2 shows a screen shot of the [CN0274 evaluation software](#) showing the [ADXL362](#) first asleep, looking for activity. Then, when Sample 11 crosses the threshold, the [ADXL362](#) enters the awake state and begins looking for inactivity. The thresholds adjust to show the device is now looking for inactivity.

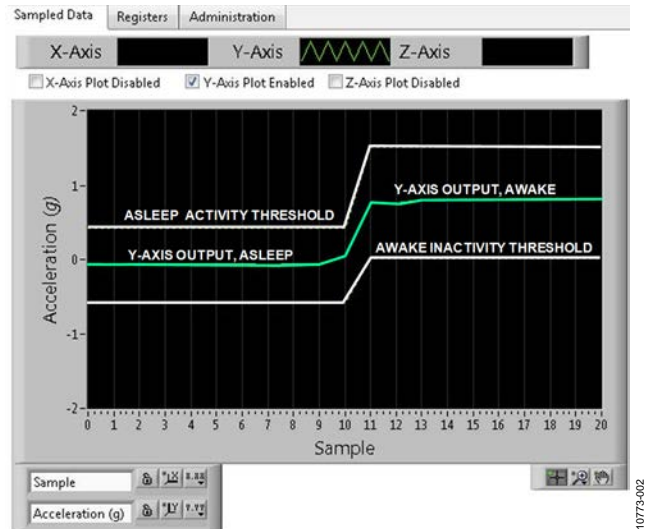


Figure 2. Screen Shot of Evaluation Software Output

For better visibility, the X-axis and Z-axis plots are disabled using the radio buttons above the chart.

The output of the [ADP195](#), or the interrupt pin itself, was measured using a digital multimeter. When the [ADXL362](#) is awake, the interrupt goes high and drives the EN pin of the [ADP195](#) high, which in turn drives the gate of the MOSFET low, causing the switch to close, connecting any downstream circuitry to the power supply. Conversely, when the [ADXL362](#) is asleep, the interrupt drives the EN pin of the [ADP195](#) low, which in turn drives the gate of the MOSFET high, causing the switch to open.

PCB Layout Considerations

In any circuit where accuracy is crucial, it is important to consider the power supply and ground return layout on the board. The PCB should isolate the digital and analog sections as much as possible. The PCB for this system was constructed in a 4-layer stack up with large area ground plane layers and power plane polygons. See the [MT-031 Tutorial](#) for more discussion on layout and grounding, and the [MT-101 Tutorial](#) for information on decoupling techniques.

Decouple the power supply to the [ADXL362](#) with 1 μF and 0.1 μF capacitors to properly suppress noise and reduce ripple. Place the capacitors as close to the device as possible. Ceramic capacitors are advised for all high frequency decoupling.

Power supply lines should have as large a trace width as possible to provide low impedance paths and reduce glitch effects on the supply line. Shield clocks and other fast switching digital signals from other parts of the board by digital ground. A photo of the PCB is shown in Figure 3.

A complete design support package for this circuit note can be found at www.analog.com/CN0274-DesignSupport.

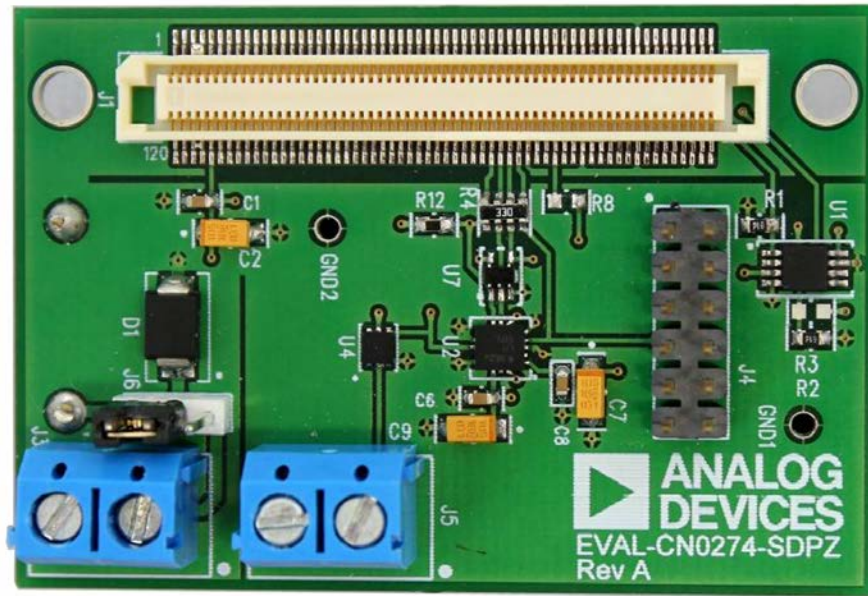


Figure 3. Photo of [EVAL-CN0274-SDPZ](#) PCB

COMMON VARIATIONS

The maximum continuous operating current of the [ADP195](#) is fixed at 1.1 A. For applications requiring more downstream power, a higher current rated switch can be used in place of the [ADP195](#).

By sacrificing approximately 15 μ A of quiescent current, the [ADP197](#) is capable of providing 3 A of current to downstream circuitry. For applications requiring less downstream power, the [ADP190](#) can be used. It has a continuous current of 500 mA and is available in a smaller WLCSP package than the [ADP195](#).

A second variant of the provided solution is to create a free fall detection system. This function can be implemented using the inactivity interrupt. When an object is in true free-fall, acceleration on all axes is 0 g. Thus, free-fall detection is achieved by looking for acceleration on all axes to fall below a certain threshold (close to 0 g) for a certain amount of time.

The [ADXL362](#) functions as a free-fall detector by setting the inactivity threshold (300 mg to 600 mg) and inactivity time (150 ms to 350 ms). The register setting for these values varies based on the g-range setting of the device.

CIRCUIT EVALUATION AND TEST

This circuit uses the [EVAL-SDP-CS1Z](#) System Demonstration Platform (SDP) evaluation board and the [EVAL-CN0274-SDPZ](#) circuit board. The two boards have 120-pin mating connectors, allowing for the quick setup and evaluation of the performance of the circuit.

The [EVAL-CN0274-SDPZ](#) contains the circuit to be evaluated, as described in this note, and the [EVAL-SDP-CS1Z](#) is used with the [CN0274 evaluation software](#) to capture the data from the [EVAL-CN0274-SDPZ](#).

Because the [ADXL362](#) requires a relatively small amount of power in both the asleep and awake states, it is possible to power the [EVAL-CN0274-SDPZ](#) from the digital data lines coming out of the [EVAL-SDP-CS1Z](#).

Equipment Needed

The following equipment is needed:

- A PC with a USB port and Windows® XP or Windows Vista® (32-bit), or Windows® 7 (32-bit)
- The [EVAL-CN0274-SDPZ](#) evaluation board
- The [EVAL-SDP-CS1Z](#) evaluation board
- The [CN0274 Evaluation Software](#)
- A power supply: 3.0 V or 2 AAA batteries.

Getting Started

Load the evaluation software by placing the [CN0274 evaluation software](#) CD into the PC. Using **My Computer**, locate the drive that contains the evaluation software CD and open the **Readme** file. Follow the instructions contained in the **Readme** file for installing and using the evaluation software.

Functional Block Diagram

See Figure 4 for the test setup block diagram, and the [EVAL-CN0274-SDPZ-SCH-RevA.pdf](#) file for the circuit schematics. This file is contained in the [CN0274 Design Support Package](#).

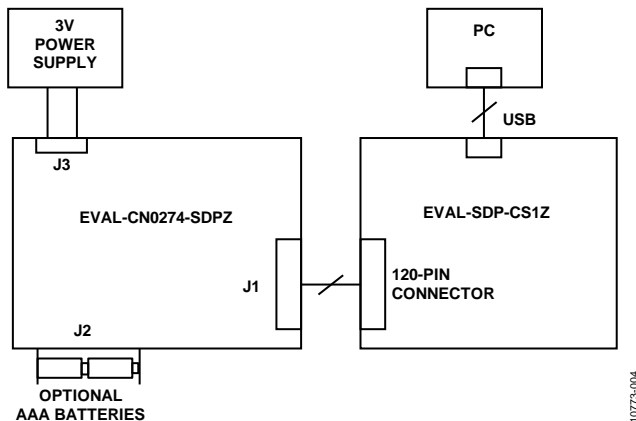


Figure 4. Test Setup Block Diagram

Setup

Connect the 120-pin connector on the [EVAL-CN0274-SDPZ](#) to the connector on the [EVAL-SDP-CS1Z](#). Use nylon hardware to firmly secure the two boards, using the holes provided at the ends of the 120-pin connectors.

With power to the supply off, connect a 3.0 V power supply to the J3 connector. Alternatively, Connector J2 can be used on the bottom of the PCB to power the entire circuit off two AAA batteries. Connect the USB cable supplied with the [EVAL-SDP-CS1Z](#) to the USB port on the PC. Note: Do not connect the USB cable to the mini-USB connector on the SDP board at this time.

Test

Apply power to the J3 screw terminal or place batteries in the J2 connector on the bottom of the PCB batteries (move Jumper J6 to the left-hand position for battery operation). Launch the [CN0274 evaluation software](#) and connect the USB cable from the PC to the mini-USB connector on the [EVAL-SDP-CS1Z](#).

Once USB communications are established, the [EVAL-SDP-CS1Z](#) can now be used to send, receive, and capture serial data from the [EVAL-CN0274-SDPZ](#).

Information regarding the [EVAL-SDP-CS1Z](#) can be found in the [SDP User Guide](#).

Information and details regarding test setup and calibration, and how to use the evaluation software for data capture can be found in the software [Readme](#) file found at: www.analog.com/CN0274-UserGuide.

LEARN MORE

[CN-0274 Design Support Package](#):

<http://www.analog.com/CN0274-DesignSupport>

[MT-031 Tutorial, Grounding Data Converters and Solving the Mystery of “AGND” and “DGND”](#), Analog Devices.

[MT-101 Tutorial, Decoupling Techniques](#), Analog Devices.

[AN-688 Application Note, Phase and Frequency Response of iMEMS Accelerometers and Gyros](#), Analog Devices

Data Sheets and Evaluation Boards

[CN0274 Circuit Evaluation Board \(EVAL-CN0274-SDPZ\)](#)

[System Demonstration Platform \(EVAL-SDP-CS1Z\)](#)

[ADXL362 Data Sheet](#)

[ADP195 Data Sheet](#)

[ADP195 Evaluation Board](#)

REVISION HISTORY

11/12—Rev. 0 to Rev. A

Changes to Circuit Note Title and Circuit Function and Benefits Section.....1

Changes to Common Variations5

9/12—Rev. 0: Initial Version

(Continued from first page) Circuits from the Lab circuits are intended only for use with Analog Devices products and are the intellectual property of Analog Devices or its licensors. While you may use the Circuits from the Lab circuits in the design of your product, no other license is granted by implication or otherwise under any patents or other intellectual property by application or use of the Circuits from the Lab circuits. Information furnished by Analog Devices is believed to be accurate and reliable. However, Circuits from the Lab circuits are supplied "as is" and without warranties of any kind, express, implied, or statutory including, but not limited to, any implied warranty of merchantability, noninfringement or fitness for a particular purpose and no responsibility is assumed by Analog Devices for their use, nor for any infringements of patents or other rights of third parties that may result from their use. Analog Devices reserves the right to change any Circuits from the Lab circuits at any time without notice but is under no obligation to do so.

X-ON Electronics

Largest Supplier of Electrical and Electronic Components

Click to view similar products for [Acceleration Sensor Development Tools](#) category:

Click to view products by [Analog Devices](#) manufacturer:

Other Similar products are found below :

[2019](#) [EVAL-ADXL343Z-S](#) [BRKOUT-FXLN8362Q](#) [MXC6655XA-B](#) [1018](#) [EVAL-ADXL362-ARDZ](#) [EVAL-KXTJ2-1009](#) [1231](#) [1413](#) [DEV-13629](#) [2020](#) [EVAL-ADXL343Z-DB](#) [EVAL-ADXL344Z-M](#) [EVAL-ADXL375Z-S](#) [EV-BUNCH-WSN-1Z](#) [EV-CLUSTER-WSN-2Z](#) [STEVAL-MKI033V1](#) [EVAL-ADXL344Z-DB](#) [EVAL-ADXL346Z-DB](#) [EVAL-ADXL363Z-MLP](#) [EV-CLUSTER-WSN-1Z](#) [2472](#) [EVAL-ADXL312Z](#) [EVAL-ADXL343Z](#) [EVAL-ADXL344Z-S](#) [EVAL-ADXL363Z-S](#) [EVAL-ADXL375Z](#) [STEVALMKI032V1](#) [DFR0143](#) [SEN0032](#) [SEN0079](#) [SEN0168](#) [SEN0224](#) [MXD6240AU-B](#) [FIT0031](#) [SEN-13963](#) [MXP7205VW-B](#) [ASD2511-R-A](#) [3463](#) [SEN0140](#) [SEN0183](#) [SEN-11446](#) [EVAL-KX022-1020](#) [EVAL-KX023-1025](#) [163](#) [2809](#) [4097](#) [4344](#) [4627](#) [4626](#)