

**Circuits  
from the Lab®**  
Reference Designs

*Circuits from the Lab® reference designs are engineered and tested for quick and easy system integration to help solve today's analog, mixed-signal, and RF design challenges. For more information and/or support, visit [www.analog.com/CN0506](http://www.analog.com/CN0506).*

**Devices Connected/Referenced**

<a href="#">ADIN1300</a>	Robust, Industrial, Low Latency and Low Power 10 Mbps, 100 Mbps, and 1 Gbps Ethernet PHY
<a href="#">LT3502</a>	1.1 MHz, 500 mA Step-Down Regulator
<a href="#">LTC4316</a>	Single I <sup>2</sup> C/SMBus Address Translator

## 10 Mbps/100 Mbps/1000 Mbps Dual Channel, Low Power Industrial Ethernet PHY

### EVALUATION AND DESIGN SUPPORT

#### Circuit Evaluation Boards

[CN-0506 Circuit Evaluation Board \(EVAL-CN0506-FMCZ\)](#)

#### Design and Integration Files

[Schematics, Layout Files, Bill of Materials](#)

### CIRCUIT FUNCTION AND BENEFITS

The circuit shown in Figure 1 is a dual channel, low latency, low power Ethernet physical layer (PHY) card that supports 10 Mbps, 100 Mbps, and 1000 Mbps speeds for industrial Ethernet applications using line and ring network topologies.

Dual channels enable line and ring network topologies that are commonly used for industrial sensing, control, and distributed control systems. The ADIN1300 Ethernet PHY was extensively tested for electromagnetic compatibility (EMC) and electrostatic discharge (ESD) robustness and supports automatic negotiation to enable linking with remote PHY devices at the highest common speed advertised. IEEE 1588 time stamping in the PHY reduces timing uncertainty in real-time applications and enhances link loss detection for redundant and real-time applications.

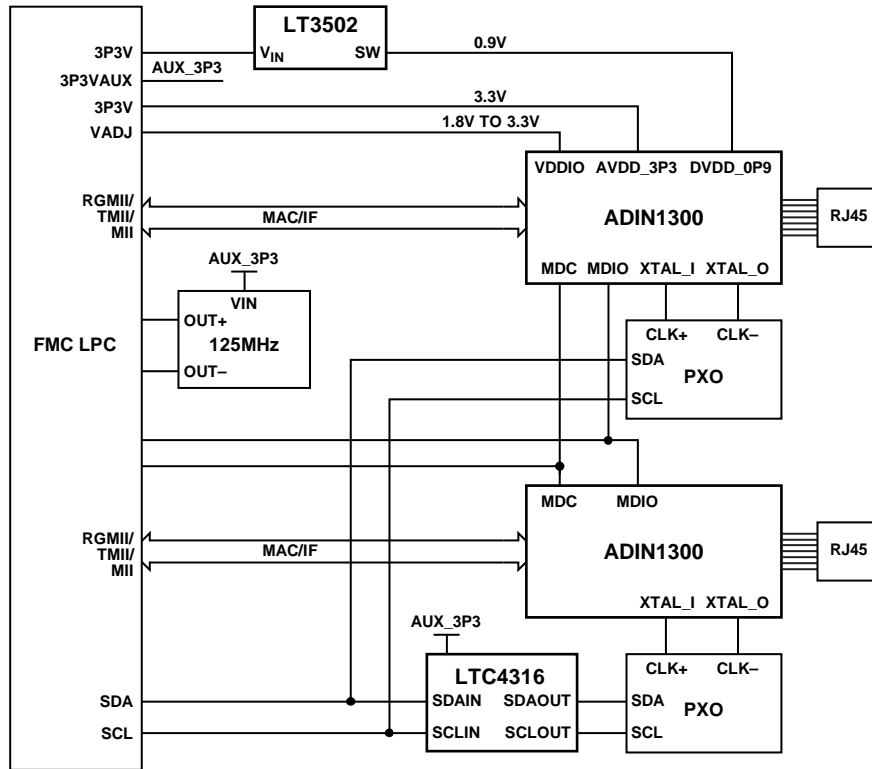
The circuit consists of two individual, independent 10 Mbps, 100 Mbps, and 1000 Mbps PHYs, each with an energy efficient Ethernet (EEE) PHY core with all the associated common analog circuitry, input and output clock buffering, management interface, subsystem registers, media access control (MAC) interface, and control logic.

The design is powered from the host field programmable gate array (FPGA) mezzanine card (FMC) development board, eliminating the need for an external power supply. A software programmable clock enables media independent interface (MII), reduced MII (RMII), and reduced Gigabit MII (RGMII) MAC interface modes. RJ45 ports with integrated magnetics keep the solution as compact as possible.

The solution supports cable lengths up to 150 meters at gigabit speeds and up to 180 meters at 100 Mbps or 10 Mbps. This solution is typically used in ring or bus topologies. The automatic negotiation feature of the ADIN1300 allows connection with other PHY devices at the highest supported speed.

#### Rev. 0

Circuits from the Lab® reference designs from Analog Devices have been designed and built by Analog Devices engineers. Standard engineering practices have been employed in the design and construction of each circuit, and their function and performance have been tested and verified in a lab environment at room temperature. However, you are solely responsible for testing the circuit and determining its suitability and applicability for your use and application. Accordingly, in no event shall Analog Devices be liable for direct, indirect, special, incidental, consequential or punitive damages due to any cause whatsoever connected to the use of any Circuits from the Lab circuits. (Continued on last page)



2014B-001

Figure 1. EVAL-CN0506-FMCZ Simplified Block Diagram (All Connections and Decoupling Not Shown)

**CIRCUIT DESCRIPTION**

**Ethernet**

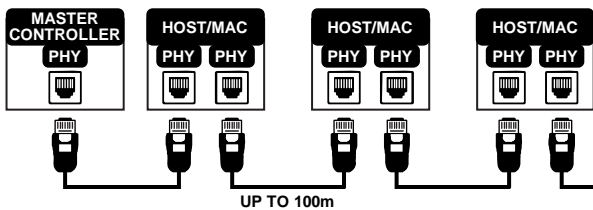
Ethernet is the most common type of packet-based physical connection for data networking applications in a local area network (LAN) that is defined as subsections and specifications by the Institute of Electrical and Electronic Engineers (IEEE) 802.3 standards.

There are different speeds and transmission medium associated with Ethernet. However, the focus of this circuit note centers on 10BASE-T, 100BASE-TX, and 1000BASE-T over twisted pair cables, Category 5e (CAT5e) or Category 6 (CAT6), straight through or crossover.

**Line and Ring Network Topologies**

Typical industrial Ethernet networks are deployed in line or ring topologies. The line and ring network topologies have reduced wiring lengths compared to star networks, and a redundant path for the ring network (see Figure 2). Each device connected to a line or ring network requires two Ethernet ports to pass Ethernet frames along the network.

**LINE TOPOLOGY**



**RING TOPOLOGY**

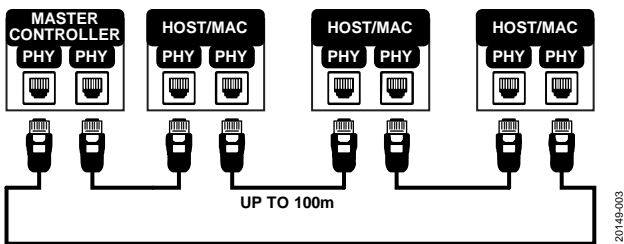


Figure 2. Line and Ring Topology

**PHY**

A PHY is the physical interface transceiver that implements the physical layer functions of the open systems interconnection (OSI) model. A PHY encodes and decodes the data transmitted and received between devices, maintaining the integrity of the frames and packets (see Figure 3).

**PHY Hardware Configuration—Strapping Resistors**

The ADIN1300 can be configured to power up ready to establish a link. This PHY hardware configuration uses external strapping resistors and provides a known configuration for power on in an unmanaged application. Typically, in unmanaged applications, users do not configure the PHY over the management data input and output (MDIO). Instead, unmanaged applications rely on the PHY hardware configuration to bring the ADIN1300 up with the appropriate configuration ready to link with a remote PHY partner. When the ADIN1300 powers up, the hardware strapping pins are sampled when the device comes out of reset, and the PHY device then knows how to configure the various functions.

The hardware configuration modes of interest for this circuit note are speed, PHY address, automatic medium dependent interface crossover (Auto-MDIX), and MAC interface. The EVAL-CN0506-FMCZ includes resistor footprints for the various combinations, with a particular default configuration. The resistor components can be inserted or removed if required to change the default hardware configuration.

Consult the ADIN1300 data sheet for more information on using the other features and functions such as energy efficient Ethernet (EEE), energy detect power down, down speed, and software power down.

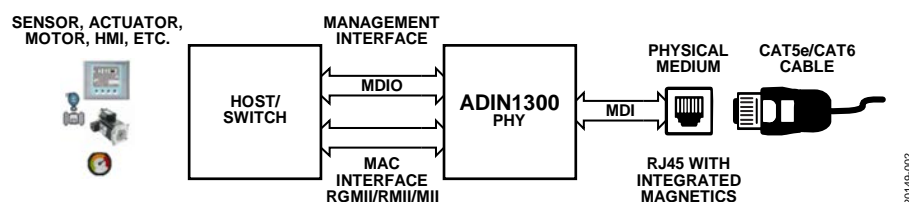


Figure 3. Typical Networked Sensor with PHY Device

### Physical Layer—MAC Interface

The MAC interface is the wired medium on the CN-0506, and there are three MAC interface options, RGMII, RMII, or MII. RGMII supports all speeds up to 1000 Mbps, while MII and RMII support 10 Mbps and 100 Mbps, respectively. RGMII is the default interface on the CN0506.

The two ways to choose which MAC interface is used is either by hardware strapping external resistors or by using a software register configuration. MACIF\_SEL0 and MACIF\_SEL1 are multifunctional pins within the [ADIN1300](#) (see the ADIN1300 data sheet for additional information). For the CN-0506, the MACIF\_SEL0 and MACIF\_SEL1 pins can be configured to select the MAC interface according to Table 1. Note that the MACIF\_SEL0 and MACIF\_SEL1 pins have weak internal pull-down resistors. Therefore, if there are no external strapping resistors, the default MAC interface is RGMII with a 2 ns delay.

**Table 1. MAC Interface Selection**

MAC Interface Selection	MACIF_SEL1	MACIF_SEL0
RGMII RXC/TXC, 2 ns Delay	Low	Low
RGMII RXC Only, 2 ns Delay	High	Low
MII	Low	High
RMII	High	High

In this circuit note, the MAC interface selection is done via software configuration by using the GE\_RGMII\_CFG and GE\_RMII\_CFG registers within the ADIN1300. There are also footprints for external pull-up and pull-down resistors if users rather configure the MAC interface within the hardware. However, the resistors are not installed and, therefore, the PHY powers up on the EVAL-CN0506-FMCZ with the default RGMII interface.

### PHY Address

There are four PHY address pins (PHYAD\_x) that allow users to configure the PHY to any of 16 PHY addresses. The PHY addressing enables a system to have up to 16 individually controllable channels from a single controller.

The EVAL-CN0506-FMCZ is currently hardwired to specific addresses, but it can be changed by altering the configuration resistors for each of the channels. Channel 1 is assigned with Address 0001 currently, and Channel 2 is assigned with Address 0010 currently.

### Programmable MAC Interface Clock

The ADIN1300 has three MAC interface options, MII, RMII or RGMII. For RGMII and MII interfaces, a 25 MHz clock is required for the ADIN1300, while the RMII requires an external 50 MHz clock. In a user application, a user can choose to place a 25 MHz crystal close to the XTAL\_I and XTAL\_O pins, or for the RMII use case, the host controller, MAC interface, or switch can provide the required 50 MHz clock directly to the PHY.

The EVAL-CN0506-FMCZ includes two programmable I<sup>2</sup>C clocks (Y1 and Y2) from 100 kHz to 125 MHz to support each of the ADIN1300 clock needs for the different MAC interfaces.

By default, the clock for each channel is set to 25 MHz on power up. When using the RMII MAC interface, the clock can be programmed to 50 MHz.

Both clocks have the same I<sup>2</sup>C address, but by using an I<sup>2</sup>C address translator, [LTC4316](#), these clocks can be programmed individually to be different from each other. The LTC4316 translates each incoming bit by XORing the incoming address to a user configurable translation byte set by a resistive divider network of the chip.

### MDI Interface—Integrated Magnetics

The MDI interface connects the ADIN1300 to the Ethernet network, typically through a transformer and RJ45 connector. The CN-0506 uses RJ45 connectors with integrated magnetics. Integrated magnetics in the RJ45 connectors typically improve electromagnetic interference (EMI) shielding and have a smaller footprint, requiring shorter trace routing when compared to using discrete magnetics.

Integrated magnetics consist of the RJ45 connector, common-mode chokes, isolation transformers, LEDs, decoupling capacitors, and termination resistors. Designs may opt to use discrete magnetics due to different overvoltage requirements in designs, or if a need for a different layout for a specific EMI is required.

### Power Supplies

To reduce the number of power supplies, the supplies for the analog circuitry for the ADIN1300, MDIO, and MAC interfaces are taken from the 3.3 V rails of the FPGA through a ferrite bead to reduce noise into the system.

The digital core of the ADIN1300 requires a 0.9 V supply. This supply is derived on board from the 3.3 V rail using the [LT3502](#) pulse-width modulation (PWM), step-down, dc-to-dc converter, which converts the 3.3 V supply from the FPGA into 0.9 V, consuming a maximum of 0.45 W from the carrier.

**SOFTWARE OVERVIEW**

The FPGA reference designs provided for use with the CN-0506 configure each ADIN1300 independently. Each PHY (ADIN1300) is connected to a designated MAC interface, and there are three supported interface modes between the ADIN1300 and the FPGA: RGMII, MII, and RMII.

For each mode, there is a separate hardware design language (HDL) because some modes require converters (for example, Gigabit MII (GMII) to RGMII). The operating mode must be selected in the HDL to match the mode users wish to use in Linux.

The EVAL-CN0506-FMCZ connects to a standard low pin count (LPC) FMC connector, which makes the software design portable to many different FPGA development boards.

The Linux device tree supported for the different modes and carrier combinations can be found on the [CN0506 HDL page](#). For more information on the standard Analog Devices, Inc., Linux image, see the [FPGA Image user guide](#).

**Board Layout Considerations**

Ethernet signal layout is critical, especially at gigabit speeds. Signals are routed to RJ45 jacks as 100 Ω, controlled impedance pairs.

Data and clock signals to the carrier, while operating at lower clock rates, have edge rates that necessitate careful layout. Signals on the EVAL-CN0506-FMCZ are kept as short as possible, while signal trace length and impedance matching on the carrier board must be carefully considered when connecting the CN-0506. These factors are important to the overall speed and performance of the CN-0506 but must be considered separately.

Figure 4 shows the 1000BASE-T maximum droop point from V2 to V1 at 98.7%.

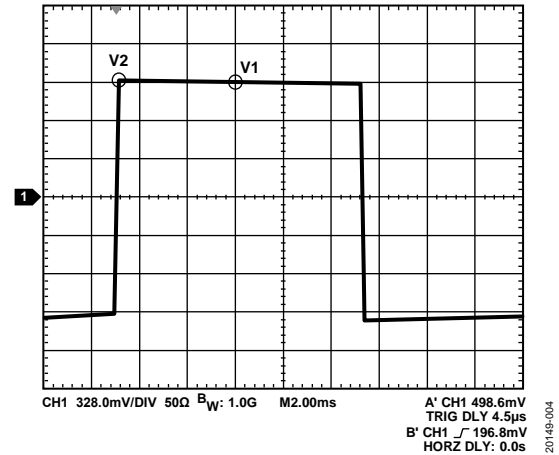


Figure 4. Peak PHY Differential Output Voltage

**Performance Result**

Several tests were conducted using the CN-0506, including a mode verification test, a speed test, and a cable length drive test.

The EVAL-CN0506-FMCZ was tested at different modes with increasing cable lengths, and the results are detailed in Table 2 and Table 3 for a 4 meter cable and for a 154 meter cable, respectively, with no packet loss.

Table 2 and Table 3 show the frame checker count registers (FC\_FRM\_CNT\_H and FC\_FRM\_CNT\_L) and the receive error count register (RX\_ERR\_CNT) readback values of the ADIN1300 at the local and remote Ethernet PHY locations for a short cable transmission and a long cable transmission, respectively.

Table 2. EVAL-CN0506-FMCZ Evaluation System with 4 Meter Cable

Speed (Mbps)	Mode	Local Ethernet PHY			Remote Ethernet PHY			Status
		FC_FRM_CNT_H	FC_FRM_CNT_L	RX_ERR_CNT	FC_FRM_CNT_H	FC_FRM_CNT_L	RX_ERR_CNT	
1000	RGMII	744	6314	0	744	6314	0	Pass
100	RGMII	74	26853	0	74	26853	0	Pass
10	RGMII	7	2890	0	7	2890	0	Pass
100	MII	74	26849	0	74	26849	0	Pass
10	MII	7	28900	0	7	28900	0	Pass

Table 3. EVAL-CN0506-FMCZ Evaluation System with 154 Meter Cable

Speed (Mbps)	Mode	Local Ethernet PHY			Remote Ethernet PHY			Status
		FC_FRM_CNT_H	FC_FRM_CNT_L	RX_ERR_CNT	FC_FRM_CNT_H	FC_FRM_CNT_L	RX_ERR_CNT	
1000	RGMII	744	7693	0	744	7693	0	Pass
100	RGMII	74	26847	0	74	26847	0	Pass
10	RGMII	7	28900	0	7	28900	0	Pass
100	MII	74	26849	0	74	26849	0	Pass
10	MII	7	268900	0	7	268900	0	Pass

## COMMON VARIATIONS

If the application does not need speeds of up to 1000 Mbps, the [ADIN1200](#) is a lower power, single port Ethernet transceiver that allows speeds of up to 100 Mbps.

For alternatives on the I<sup>2</sup>C bus translator, the [LTC4317](#) is a dual output I<sup>2</sup>C address translator from a single input, while the [LTC4318](#) is a dual input and output I<sup>2</sup>C bus translator.

If RMII support is not required in the application, the clocking scheme can be simplified by using only a single, fixed frequency 25 MHz crystal oscillator.

## CIRCUIT EVALUATION AND TEST

Data integrity and bandwidth are critical in industrial networks. A data loopback test allows an entire system to be validated, including the EVAL-CN0506-FMCZ, cabling, and connectors. For complete details on setup and testing, consult the [CN0506 User Guide](#).

### Equipment Needed

The following equipment is needed:

- The EVAL-CN0506-FMCZ circuit evaluation board
- A CAT6 Ethernet cable
- A ZC706 FPGA development board
- A SD card
- A wireless keyboard and mouse with an USB Type A dongle
- A micro USB On the Go (OTG) adaptor
- A High-Definition Multimedia Interface (HDMI) male to HDMI male cable
- A HDMI monitor
- Analog Devices Linux image, configured for use with the CN0506

## Getting Started

Prepare the SD card by using the instructions detailed in the [AD-FMC-SDCARD for Zynq & Altera SoC Quick Start Guide](#), including the following:

1. Download the latest FPGA Linux image.
2. Format the SD card.
3. Burn the FPGA Linux image to the SD card.
4. Copy the boot.bin and device tree file for the CN-0506 into the boot partition of the SD card.

## Functional Block Diagram

Figure 5 shows the functional block diagram of the test setup.

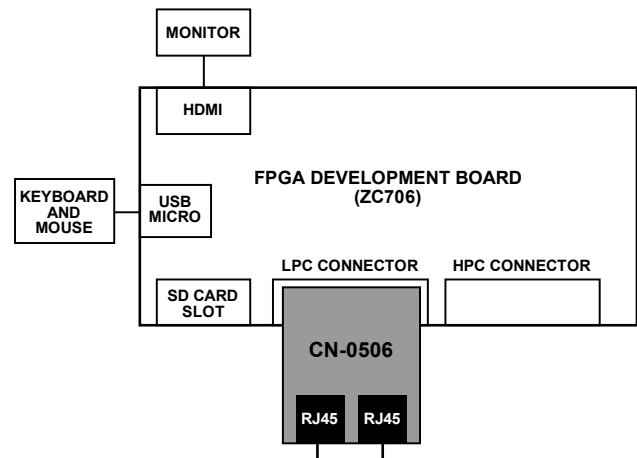


Figure 5. Test Setup Functional Block Diagram

## Setup

Take the following steps to setup the testing:

1. Mount the EVAL-CN0506-FMCZ to a ZC706 FPGA development board using the LPC FMC connector, securing it with 10 mm standoffs.
2. Insert the preconfigured SD card into the Xilinx ZC706.
3. Connect an Ethernet cable between the two RJ45 Ethernet jacks, creating a loopback.
4. Connect an HDMI cable between the HDMI monitor and the Xilinx ZC706.
5. Plug in the micro USB OTG adaptor into the micro USB port on the Xilinx ZC706.
6. Use the USB Type A dongle to connect the wireless keyboard and mouse to the USB OTG adaptor.
7. Apply the power connector to the Xilinx ZC706 and plug the other end into the wall.

**Test**

The system is tested in loopback mode by generating a large set of data to be sent from one channel to another and back again.

Figure 6 shows a photo of the EVAL-CN0506-FMCZ circuit evaluation board.

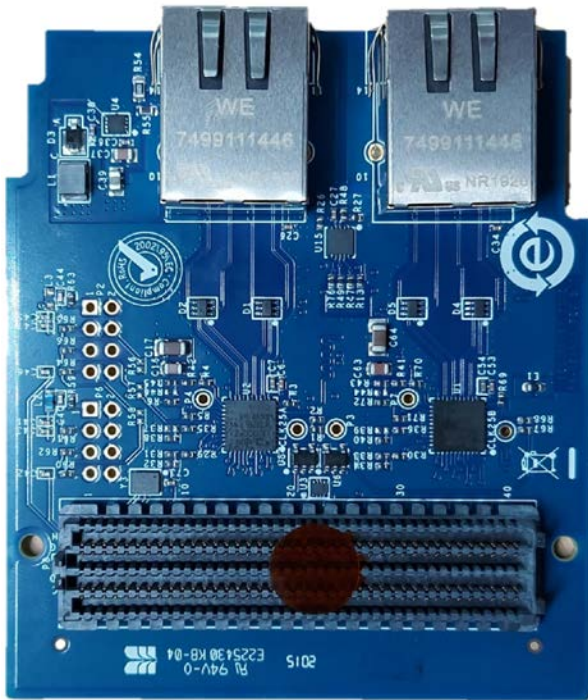


Figure 6. EVAL-CN0506-FMCZ Circuit Evaluation Board

Complete information and details regarding the test setup and how to use the EVAL-CN0506-FMCZ can be found in the [CN0506 User Guide](#).

**LEARN MORE**

[Robust Ethernet Physical Layer Solutions for Time Critical Communications in Harsh Industrial Environments](#)

[Accelerating the Transition to Industry 4.0 with Industrial Ethernet Connectivity](#)

**Data Sheets and Evaluation Boards**

[ADIN1300 Data Sheet](#)

[LT3502 Data Sheet](#)

[LTC4316 Data Sheet](#)

**REVISION HISTORY**

9/2020—Revision 0: Initial Version

I<sup>2</sup>C refers to a communications protocol originally developed by Philips Semiconductors (now NXP Semiconductors).

(Continued from first page) Circuits from the Lab reference designs are intended only for use with Analog Devices products and are the intellectual property of Analog Devices or its licensors. While you may use the Circuits from the Lab reference designs in the design of your product, no other license is granted by implication or otherwise under any patents or other intellectual property by application or use of the Circuits from the Lab reference designs. Information furnished by Analog Devices is believed to be accurate and reliable. However, Circuits from the Lab reference designs are supplied "as is" and without warranties of any kind, express, implied, or statutory including, but not limited to, any implied warranty of merchantability, noninfringement or fitness for a particular purpose and no responsibility is assumed by Analog Devices for their use, nor for any infringements of patents or other rights of third parties that may result from their use. Analog Devices reserves the right to change any Circuits from the Lab reference designs at any time without notice but is under no obligation to do so.

©2020 Analog Devices, Inc. All rights reserved. Trademarks and registered trademarks are the property of their respective owners.  
CN20149-9/20(0)



## X-ON Electronics

Largest Supplier of Electrical and Electronic Components

*Click to view similar products for [Ethernet Development Tools](#) category:*

*Click to view products by [Analog Devices](#) manufacturer:*

Other Similar products are found below :

[XAUI-RISER-B](#) [KSZ8081RNB-EVAL](#) [KSZ8863FLL-EVAL](#) [KSZ8873MLL-EVAL](#) [PD-IM-7648M](#) [PD-IM-7648T4](#) [PD70101EVB15F-12](#)  
[PD70101EVB6F](#) [PD70211EVB50FW-5](#) [PD70211EVB72FW-12](#) [EV09H26A](#) [EV44F42A](#) [DP83620-EVK/NOPB](#) [KSZ8031RNL-EVAL](#)  
[WIZ550S2E-232-EVB](#) [DFR0272](#) [A000024](#) [DFR0125](#) [UKIT-006GP](#) [UKIT-003FE](#) [UKIT-002GB](#) [UKIT-001FE](#) [EVB-KSZ9477](#) [OM-E-ETH](#)  
[UP-POE-A20-0001](#) [2971](#) [3785](#) [ASX00006](#) [ASX00021](#) [ASX00026](#) [XTIB-E](#) [ESP32-ETHERNET-KIT-VE](#) [EVB-KSZ9897-1](#) [KSZ9031MNX-](#)  
[EVAL](#) [AC164121](#) [AC164123](#) [AC164132](#) [AC320004-5](#) [AC320004-6](#) [AC320004-7](#) [DM320114](#) [DM990004](#) [EV02N47A](#) [EV16T60A](#)  
[EV44C93A](#) [EV48S68A](#) [EV50P30A](#) [EVB-KSZ8563](#) [EVB-KSZ9477-1](#) [EVB-KSZ9893](#)