

THIS DRAWING IS THE PROPERTY OF ANALOG DEVICES INC. IT IS NOT TO BE REPRODUCED OR COPIED, IN WHOLE OR IN PART, OR USED IN FURNISHING INFORMATION TO OTHERS, OR FOR ANY OTHER PURPOSE DETRIMENTAL TO THE INTERESTS OF ANALOG DEVICES. THE EQUIPMENT SHOWN HEREON MAY BE PROTECTED BY PATENTS OWNED OR CONTROLLED BY ANALOG DEVICES.

JUMPER TABLE

JP#	ON	OFF
1		
2		
3		
4		
5		

* SEE ASSEMBLY INSTRUCTIONS

REVISIONS

REV	DESCRIPTION	DATE	APPROVED
A	INITIAL RELEASE	XX/XX	X.X.
B	AS PER ECR#045386	03MAR13	A. MAHAFFEY

RELAY CONTROL CHART

CONTROL	CODE	DEVICE	FUNCTION	CONNECTOR

SCHEMATIC

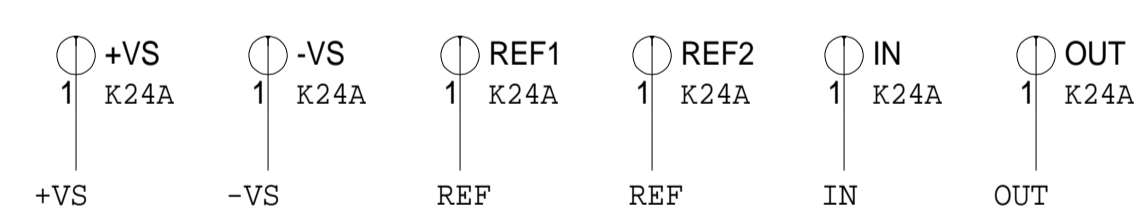
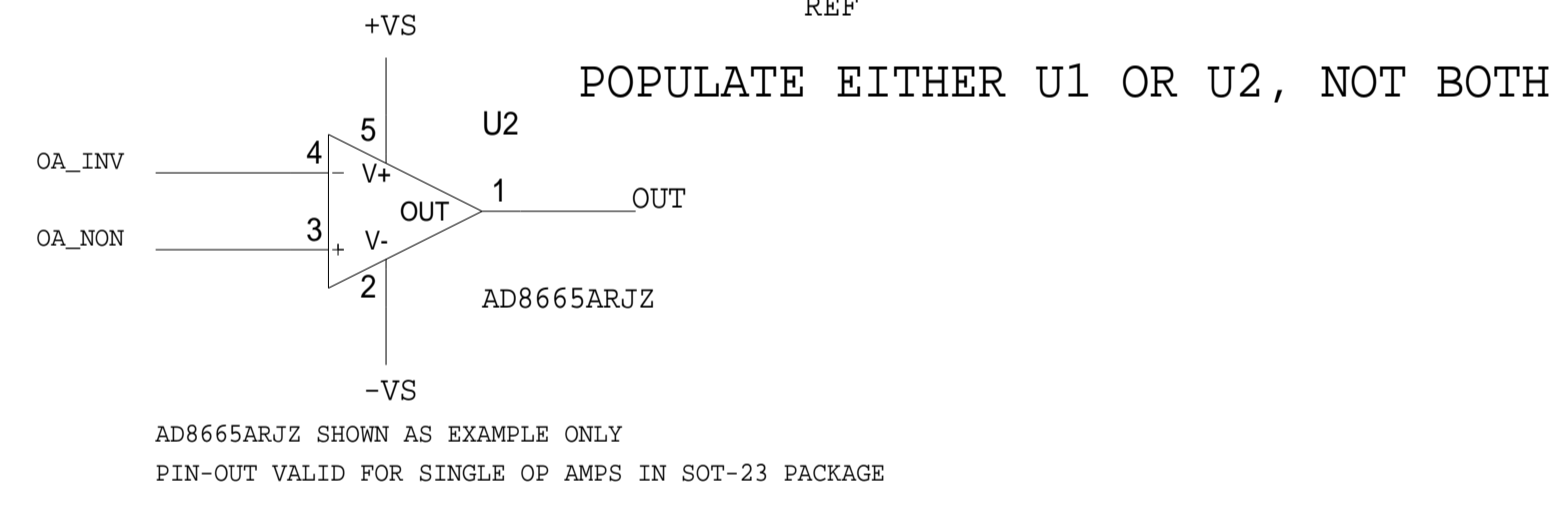
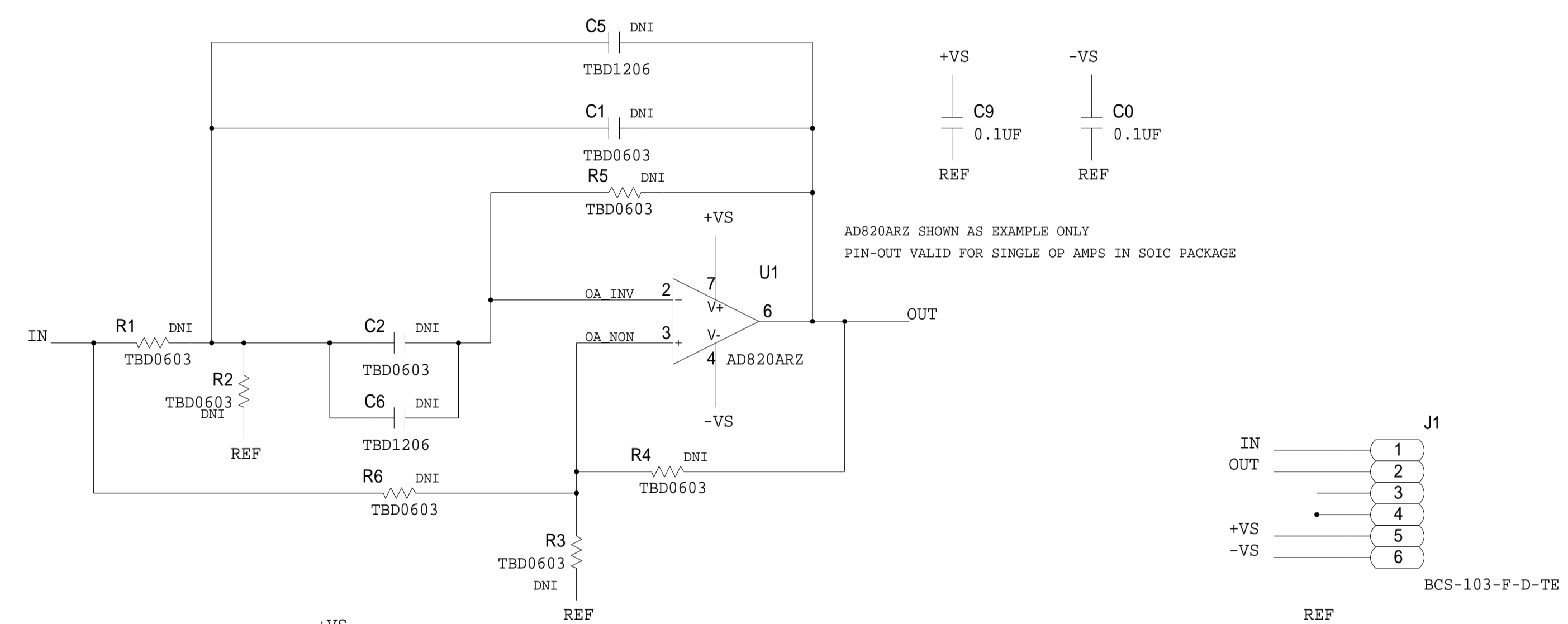


TEMPLATE ENGINEER G. CELEDONIO	DATE -----	EVAL BOARD MULTIPLE FB BAND-PASS SINGLE Z <PRODUCT_1> <DRAWING_TITLE1> <DRAWING_TITLE2> <DRAWING_TITLE3> <DRAWING_TITLE4> <DRAWING_TITLE5>		
HARDWARE SERVICES R. MACDONALD	-----			
HARDWARE SYSTEMS J. KEANE	-----			
TEST ENGINEER -----	-----			
COMPONENT ENGINEER G. CELEDONIO	-----			
TEST PROCESS -----	-----	MASTER PROJECT TEMPLATE <DRAWING_TITLE6>		
HARDWARE RELEASE -----	-----			
DESIGNER LABRANCHE	-----			
PTD ENGINEER M. DUFF	-----			
CHECKER -----	-----			
P.O. SPEC. BK/BD SPEC. SOCKET OEM OEM PART# HANDLER		TESTER TEMPLATE -	DRAWING NO. 02-034900	REV. B
UNLESS OTHERWISE SPECIFIED DIMENSIONS ARE IN INCHES TOLERANCES		DECIMALS X.XX ±0.010 X.XXX ±0.005	FRACTIONS ±1/32	ANGLES ±2
SIZE D		SCALE <SCALE>		CODE ID NO. SHEET 1 OF 2

REVISIONS			
REV	DESCRIPTION	DATE	APPROVED

MULTIPLE FEEDBACK BANDPASS FILTER STAGE FOR SINGLE OP AMPS

TO ALLOW USE OF LARGER VALUE COG/NPO CAPACITORS,
BOARD INCLUDES 1206 PACKAGE OPTION



	SCHEMATIC		
	EVAL BOARD MULTIPLE FB BAND-PASS SINGLE Z <PRODUCT_1>		
	DESIGN VIEW <DESIGN_VIEW>	DRAWING NO. 02-034900	REV B
PTD ENGINEER M DUFF	SIZE D	SCALE <SCALE>	SHEET 2 OF 2

X-ON Electronics

Largest Supplier of Electrical and Electronic Components

Click to view similar products for [Active Filter Development Tools](#) category:

Click to view products by [Analog Devices](#) manufacturer:

Other Similar products are found below :

[MAXFILTERBRD+](#) [DC1418A-A](#) [DC962A-B](#) [DC962A-E](#) [DC962A-A](#) [DC338B-B](#) [131200-HMC900LP5E](#) [EKIT01-HMC1023LP5](#)
[EVAL01-HMC1044LP3E](#) [AFS1410-EVAL](#) [AFS2016-EVAL](#) [ADMV8432-EVALZ](#) [DC048A](#) [DC1251A-B](#) [DC1418A-B](#) [DC1418A-C](#)
[DC1418A-D](#) [DC962A-D](#) [EV1HMC881ALP5](#) [EV1HMC882ALP5](#) [EV1HMC891ALP5](#) [EVAL-FW-HPMFB2](#) [EVAL-FW-LPMFB2](#) [3-109-440](#) [3-111-353](#) [EVAL-FW-BPDF2](#) [EVAL-FW-HPMFB1](#) [EVAL-FW-HPSK2](#) [DC1251A-A](#) [3-115-037](#) [TPS7A3501EVM-547](#)