

THIS DRAWING IS THE PROPERTY OF ANALOG DEVICES INC. IT IS NOT TO BE REPRODUCED OR COPIED, IN WHOLE OR IN PART, OR USED IN FURNISHING INFORMATION TO OTHERS, OR FOR ANY OTHER PURPOSE DETRIMENTAL TO THE INTERESTS OF ANALOG DEVICES. THE EQUIPMENT SHOWN HEREON MAY BE PROTECTED BY PATENTS OWNED OR CONTROLLED BY ANALOG DEVICES.

JUMPER TABLE		
JP#	ON	OFF
1		
2		
3		
4		
5		

REVISIONS			
REV	DESCRIPTION	DATE	APPROVED
A	INITIAL RELEASE	23APR14	A. MAHAFFEY

RELAY CONTROL CHART

CONTROL	CODE	DEVICE	FUNCTION	CONNECTOR

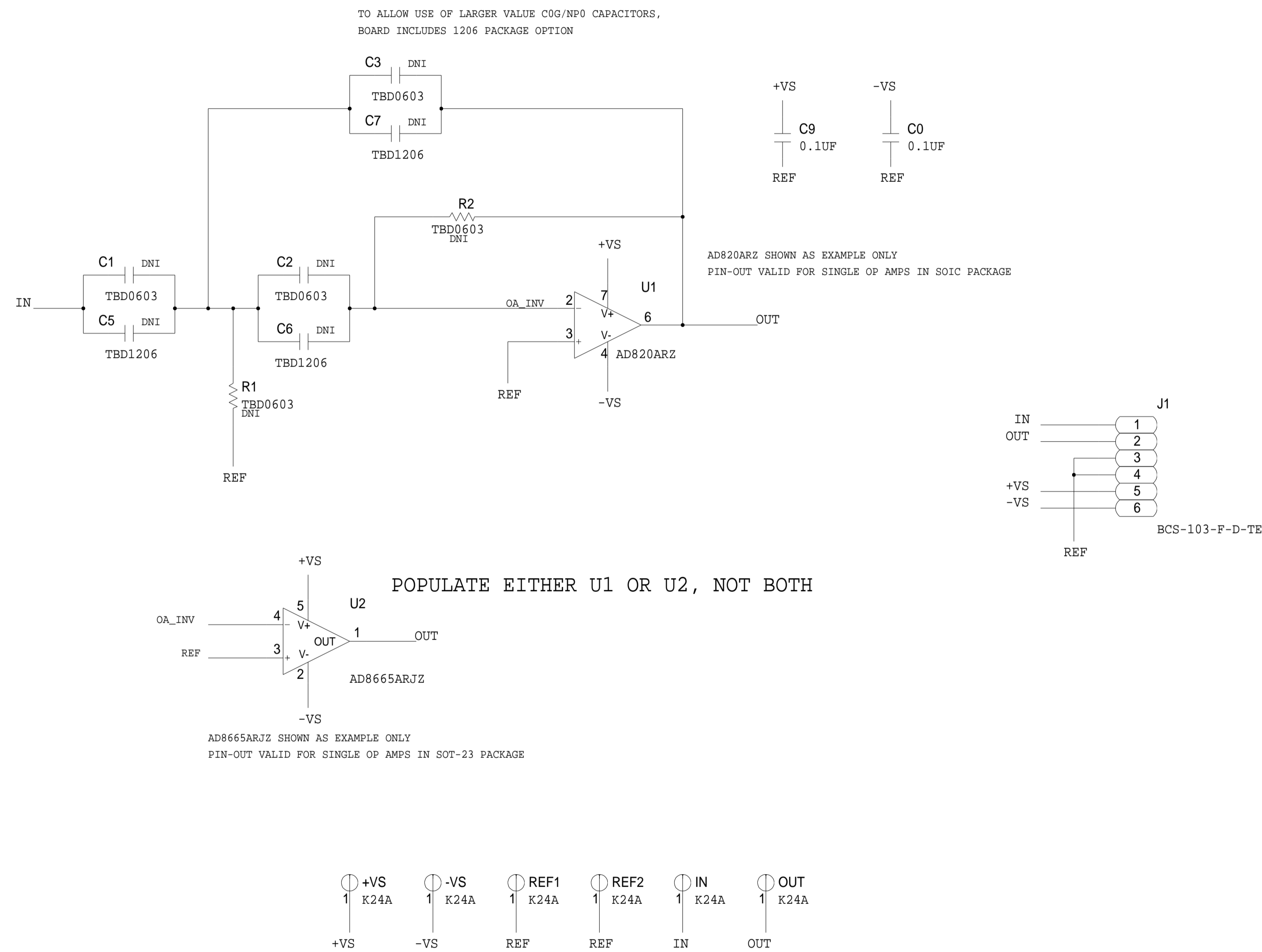
* SEE ASSEMBLY INSTRUCTIONS

P.O SPEC.	BK/BD SPEC.	SOCKET OEM	OEM PART#	HANDLER

TEMPLATE ENGINEER G. CELEDONIO	DATE 12MAR14	<h1>SCHEMATIC</h1>	HW TYPE : Customer Evaluation Z Product(s): AD820 : NA PACKAGE : PinCount-lead N/A Package-family : Pitch-pitch StyleVendor Style		
HARDWARE SERVICES R. MACDONALD	12MAR14				
HARDWARE SYSTEMS J. KEANE	12MAR14				
TEST ENGINEER -----	-----		<User Define>		
COMPONENT ENGINEER G. CELEDONIO	12MAR14		<User Define>		
TEST PROCESS -----	-----		<User Define>		
HARDWARE RELEASE -----	-----		<User Define>		
DESIGNER J. ONDAP	23APR14	MASTER PROJECT TEMPLATE TBD	TESTER TEMPLATE no_template	DRAWING NO. 02_038307	REV. A
PTD ENGINEER A. MAHAFFEY	23APR14	UNLESS OTHERWISE SPECIFIED DIMENSIONS ARE IN INCHES TOLERANCES			
CHECKER -----	-----	DECIMALS X.XX +-0.010 X.XXX +-0.005	FRACTIONS +-1/32	ANGLES +-2	SIZE D
				SCALE 1:1	CODE ID NO. CodeID
					SHEET 1 OF 2

REVISIONS			
REV	DESCRIPTION	DATE	APPROVED

MULTIPLE FEEDBACK HIGH PASS FILTER STAGE FOR SINGLE OP AMPS



	SCHEMATIC		
	HW TYPE : Customer Evaluation Z Product(s) : AD820 : NA		
DESIGN VIEW <DESIGN_VIEW>	DRAWING NO. 02_038307	REV A	
PTD ENGINEER A. MAHAFFEY	SIZE D	SCALE 1:1	SHEET 2 OF 2

X-ON Electronics

Largest Supplier of Electrical and Electronic Components

Click to view similar products for [Active Filter Development Tools](#) category:

Click to view products by [Analog Devices](#) manufacturer:

Other Similar products are found below :

[MAXFILTERBRD+](#) [DC1418A-A](#) [DC962A-B](#) [DC962A-E](#) [DC962A-A](#) [DC338B-B](#) [131200-HMC900LP5E](#) [EKIT01-HMC1023LP5](#)
[EVAL01-HMC1044LP3E](#) [AFS1410-EVAL](#) [AFS2016-EVAL](#) [ADMV8432-EVALZ](#) [DC048A](#) [DC1251A-B](#) [DC1418A-B](#) [DC1418A-C](#)
[DC1418A-D](#) [DC962A-D](#) [EV1HMC881ALP5](#) [EV1HMC882ALP5](#) [EV1HMC891ALP5](#) [EVAL-FW-HPMFB2](#) [EVAL-FW-LPMFB2](#) [3-109-440](#) [3-111-353](#) [EVAL-FW-BPDF2](#) [EVAL-FW-HPMFB1](#) [EVAL-FW-HPSK2](#) [DC1251A-A](#) [3-115-037](#) [TPS7A3501EVM-547](#)