

THIS DRAWING IS THE PROPERTY OF ANALOG DEVICES INC. IT IS NOT TO BE REPRODUCED OR COPIED, IN WHOLE OR IN PART, OR USED IN FURNISHING INFORMATION TO OTHERS, OR FOR ANY OTHER PURPOSE DETRIMENTAL TO THE INTERESTS OF ANALOG DEVICES. THE EQUIPMENT SHOWN HEREON MAY BE PROTECTED BY PATENTS OWNED OR CONTROLLED BY ANALOG DEVICES.				
RELAY CONTROL CHART				
CONTROL	CODE	DEVICE	FUNCTION	CONNECTOR

JUMPER TABLE		
JP#	ON	OFF
1		
2		
3		
4		
5		

\* SEE ASSEMBLY INSTRUCTIONS

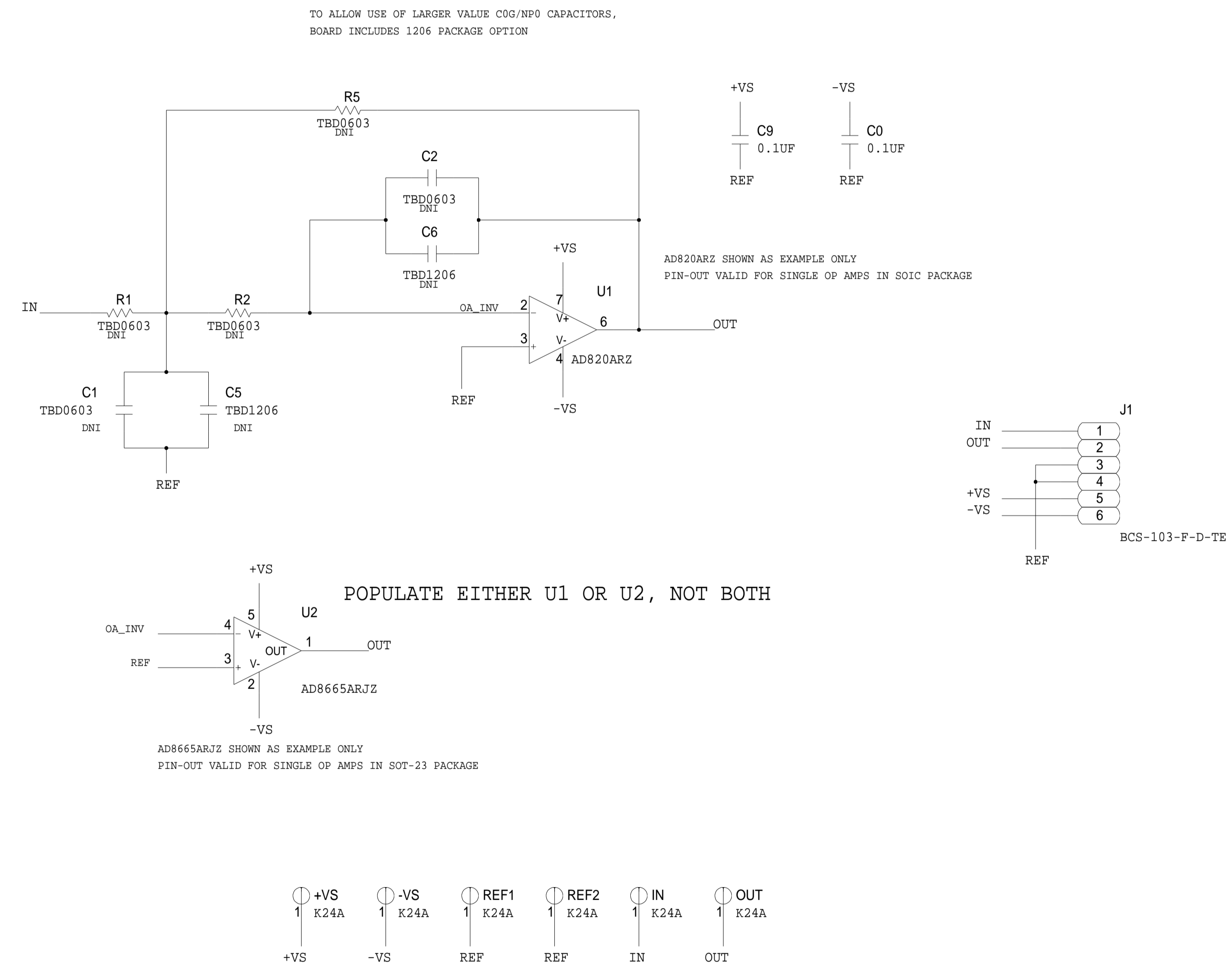
REVISIONS			
REV	DESCRIPTION	DATE	APPROVED
A	INITIAL RELEASE	12MAR14	A. MAHAFFEY

P.O SPEC.	BK/BD SPEC.	SOCKET OEM	OEM PART#	HANDLER

TEMPLATE ENGINEER G. CELEDONIO DATE 12MAR14	<h1>SCHEMATIC</h1>	
HARDWARE SERVICES R. MACDONALD DATE 12MAR14		
HARDWARE SYSTEMS J. KEANE DATE 12MAR14	HW TYPE : Customer Evaluation Z Product(s) : AD820 : NA	DRAWING NO. <b>02_038253</b> REV. <b>A</b>
TEST ENGINEER ----- COMPONENT ENGINEER G. CELEDONIO DATE 12MAR14	PACKAGE : PinCount-lead N/A Package-family : Pitch-pitch StyleVendor Style	
TEST PROCESS ----- HARDWARE RELEASE -----	<User Define> <User Define> <User Define>	
DESIGNER J. ONDAP DATE 12MAR14	MASTER PROJECT TEMPLATE TBD	TESTER TEMPLATE no_template
PTD ENGINEER A. MAHAFFEY DATE 12MAR14	UNLESS OTHERWISE SPECIFIED DIMENSIONS ARE IN INCHES TOLERANCES DECIMALS      FRACTIONS      ANGLES X.XX +-0.010      +-1/32      +-2 X.XXX +-0.005	
CHECKER -----	SIZE <b>D</b>	SCALE 1:1
CODE ID NO. CodeID		SHEET 1 OF 2

REVISIONS			
REV	DESCRIPTION	DATE	APPROVED

### MULTIPLE FEEDBACK LOW PASS FILTER STAGE FOR SINGLE OP AMPS



	<b>SCHEMATIC</b>		
	HW TYPE : Customer Evaluation Z Product(s) : AD820 : NA		
	DESIGN VIEW <DESIGN_VIEW>	DRAWING NO. 02_038253	REV A
PTD ENGINEER A. MAHAFFEY	SIZE D	SCALE 1:1	SHEET 2 OF 2

## X-ON Electronics

Largest Supplier of Electrical and Electronic Components

*Click to view similar products for [Active Filter Development Tools](#) category:*

*Click to view products by [Analog Devices](#) manufacturer:*

Other Similar products are found below :

[MAXFILTERBRD+](#) [DC1418A-A](#) [DC962A-B](#) [DC962A-E](#) [DC962A-A](#) [DC338B-B](#) [131200-HMC900LP5E](#) [EKIT01-HMC1023LP5](#)  
[EVAL01-HMC1044LP3E](#) [AFS1410-EVAL](#) [AFS2016-EVAL](#) [ADMV8432-EVALZ](#) [DC048A](#) [DC1251A-B](#) [DC1418A-B](#) [DC1418A-C](#)  
[DC1418A-D](#) [DC962A-D](#) [EV1HMC881ALP5](#) [EV1HMC882ALP5](#) [EV1HMC891ALP5](#) [EVAL-FW-HPMFB2](#) [EVAL-FW-LPMFB2](#) [3-109-440](#) [3-111-353](#) [EVAL-FW-BPDF2](#) [EVAL-FW-HPMFB1](#) [EVAL-FW-HPSK2](#) [DC1251A-A](#) [3-115-037](#) [TPS7A3501EVM-547](#)