

8

7

6

5

4

3

2

1

THIS DRAWING IS THE PROPERTY OF ANALOG DEVICES INC. IT IS NOT TO BE REPRODUCED OR COPIED, IN WHOLE OR IN PART, OR USED IN FURNISHING INFORMATION TO OTHERS, OR FOR ANY OTHER PURPOSE DETRIMENTAL TO THE INTERESTS OF ANALOG DEVICES. THE EQUIPMENT SHOWN HEREON MAY BE PROTECTED BY PATENTS OWNED OR CONTROLLED BY ANALOG DEVICES.

JUMPER TABLE

JP#	ON	OFF
1		
2		
3		
4		
5		

* SEE ASSEMBLY INSTRUCTIONS

REVISIONS

REV	DESCRIPTION	DATE	APPROVED
A	INITIAL RELEASE	XX/XX	X.X.

RELAY CONTROL CHART

CONTROL	CODE	DEVICE	FUNCTION	CONNECTOR

SCHEMATIC



EVAL BOARD
 BASE BOARD
 <PRODUCT_1>
 <DRAWING_TITLE1>
 <DRAWING_TITLE2>
 <DRAWING_TITLE3>
 <DRAWING_TITLE4>
 <DRAWING_TITLE5>

P.O SPEC.	BK/BD SPEC.	SOCKET OEM	OEM PART#	HANDLER

TEMPLATE ENGINEER	DATE	DRAWING NO.		REV.
HARDWARE SERVICES				
HARDWARE SYSTEMS		02-034674	A	
TEST ENGINEER				
COMPONENT ENGINEER		DRAWING NO.		REV.
TEST PROCESS		02-034674		A
HARDWARE RELEASE		DRAWING NO.		
DESIGNER		02-034674		
LABRANCHE		A		
PTD ENGINEER		DRAWING NO.		REV.
<PTD_ENGINEER>		02-034674		A
CHECKER		DRAWING NO.		REV.
-		02-034674		A
TOLERANCES		SIZE	SCALE	CODE ID NO.
DECIMALS	FRACTIONS	ANGLES		
X.XX +-0.010	+-1/32	+-2		
X.XXX +-0.005				

8

7

6

5

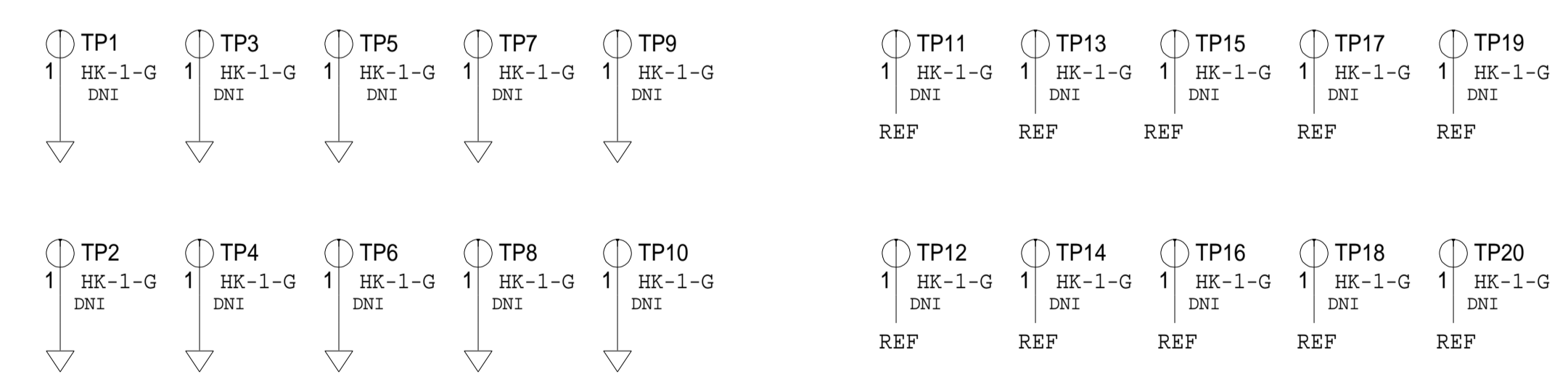
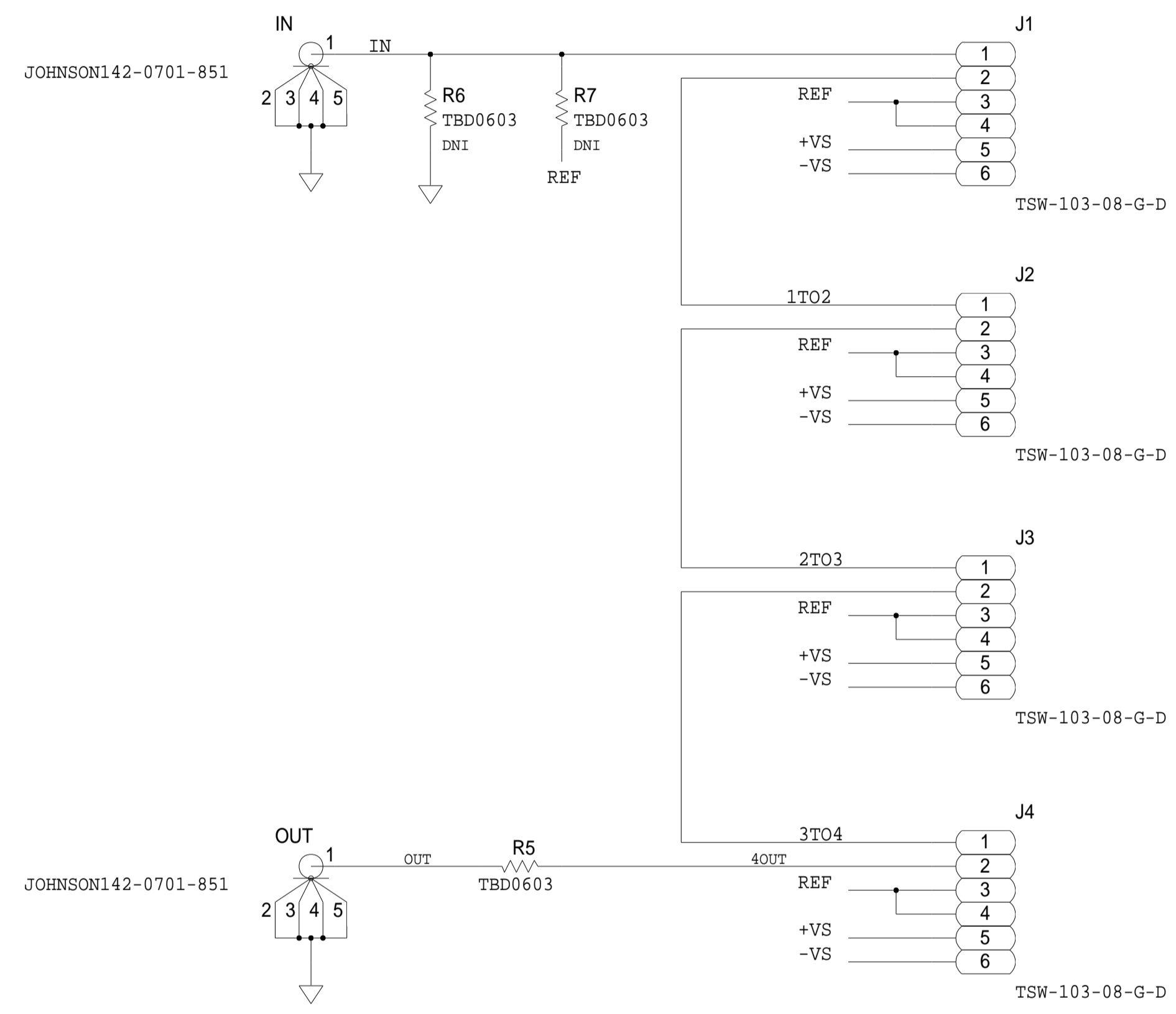
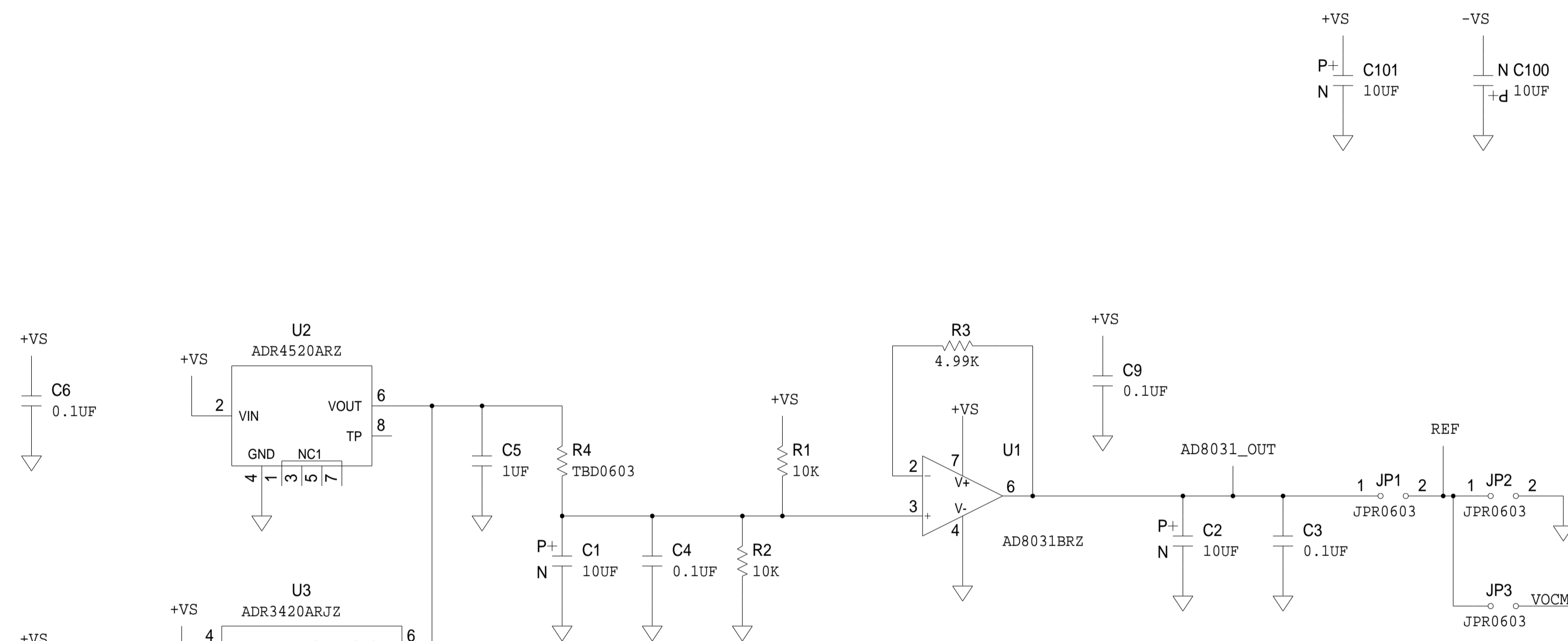
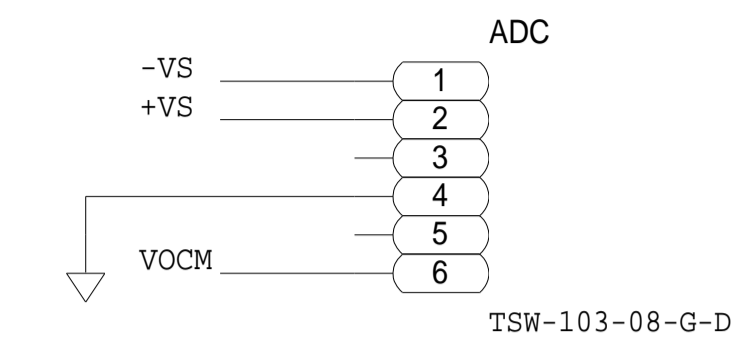
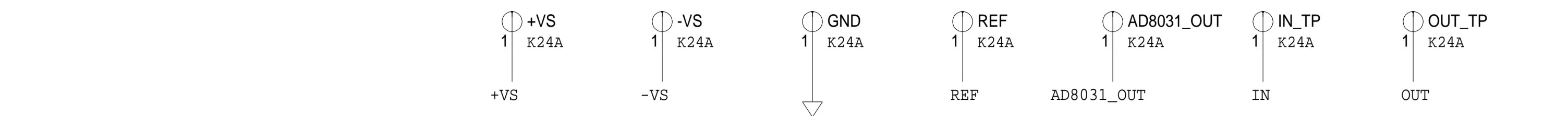
4

3

2

1

REVISIONS			
REV	DESCRIPTION	DATE	APPROVED



	SCHEMATIC		
	EVAL BOARD BASE BOARD <PRODUCT_1>		
	DESIGN VIEW <DESIGN_VIEW>	DRAWING NO. 02-034674	REV A
PTD ENGINEER <PTD_ENGINEER>	SIZE D	SCALE <SCALE>	SHEET 2 OF 2

X-ON Electronics

Largest Supplier of Electrical and Electronic Components

Click to view similar products for [Active Filter Development Tools](#) category:

Click to view products by [Analog Devices](#) manufacturer:

Other Similar products are found below :

[MAXFILTERBRD+](#) [DC1418A-A](#) [DC962A-B](#) [DC962A-E](#) [DC962A-A](#) [DC338B-B](#) [131200-HMC900LP5E](#) [EKIT01-HMC1023LP5](#)
[EVAL01-HMC1044LP3E](#) [AFS1410-EVAL](#) [AFS2016-EVAL](#) [ADMV8432-EVALZ](#) [DC048A](#) [DC1251A-B](#) [DC1418A-B](#) [DC1418A-C](#)
[DC1418A-D](#) [DC962A-D](#) [EV1HMC881ALP5](#) [EV1HMC882ALP5](#) [EV1HMC891ALP5](#) [EVAL-FW-HPMFB2](#) [EVAL-FW-LPMFB2](#) [3-109-](#)
[440](#) [3-111-353](#) [EVAL-FW-BPDF2](#) [EVAL-FW-HPMFB1](#) [EVAL-FW-HPSK2](#) [DC1251A-A](#) [3-115-037](#) [TPS7A3501EVM-547](#)