

Universal Evaluation Board for Single, 8-Lead LFCSP Operational Amplifiers

FEATURES

Enables quick breadboarding/prototyping

User defined circuit configuration

Edge mounted subminiature version A (SMA) connector provisions

Easy connection to test equipment and other circuits

GENERAL DESCRIPTION

The 8L LFCSP SINGLE AMP evaluation board aids in the evaluation of single, 8-lead LFCSP operational amplifiers. The 8L LFCSP SINGLE AMP evaluation board is a bare board with no components soldered on, which enables users to prototype a variety of operational amplifier circuits. The 8L LFCSP SINGLE AMP evaluation board supports any of the Analog Devices, Inc., single operational amplifiers with and without a dedicated feedback pin in 8-lead LFCSPs.

The 6-layer evaluation board accepts edge mounted SMA connectors on both inputs and outputs to allow an efficient connection to test equipment and other circuitry.

Optimized power and ground planes ensure low noise and high speed operation. Component placement and power supply bypassing are optimized for maximum circuit flexibility and performance. The evaluation board accepts 0402 or 0603 surface-mount technology (SMT) components, 1206 bypass capacitors, and 100 mil headers.

All components are placed on the primary side. No components are placed on the secondary side.

8L LFCSP SINGLE AMP EVALUATION BOARD IMAGES

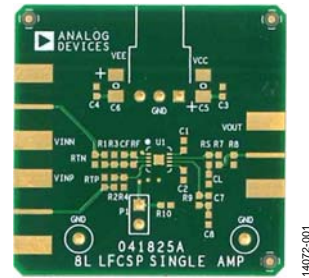


Figure 1. 8L LFCSP SINGLE AMP Evaluation Board, Primary Side

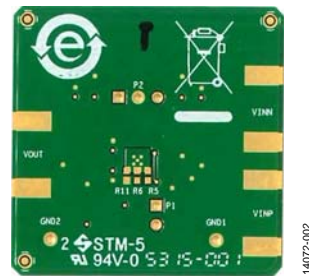


Figure 2. 8L LFCSP SINGLE AMP Evaluation Board, Secondary Side

TABLE OF CONTENTS

Features	1	Power Supply Bypassing	5
General Description	1	Evaluation Board Stack Up	5
8L LFCSP SINGLE AMP Evaluation Board Images	1	Ordering Information	6
Revision History	2	Bill of Materials.....	6
Schematic, Assembly Drawings, and Board Layout.....	3		
Board Assembly	5		

REVISION HISTORY

3/16—Revision 0: Initial Version

SCHEMATIC, ASSEMBLY DRAWINGS, AND BOARD LAYOUT

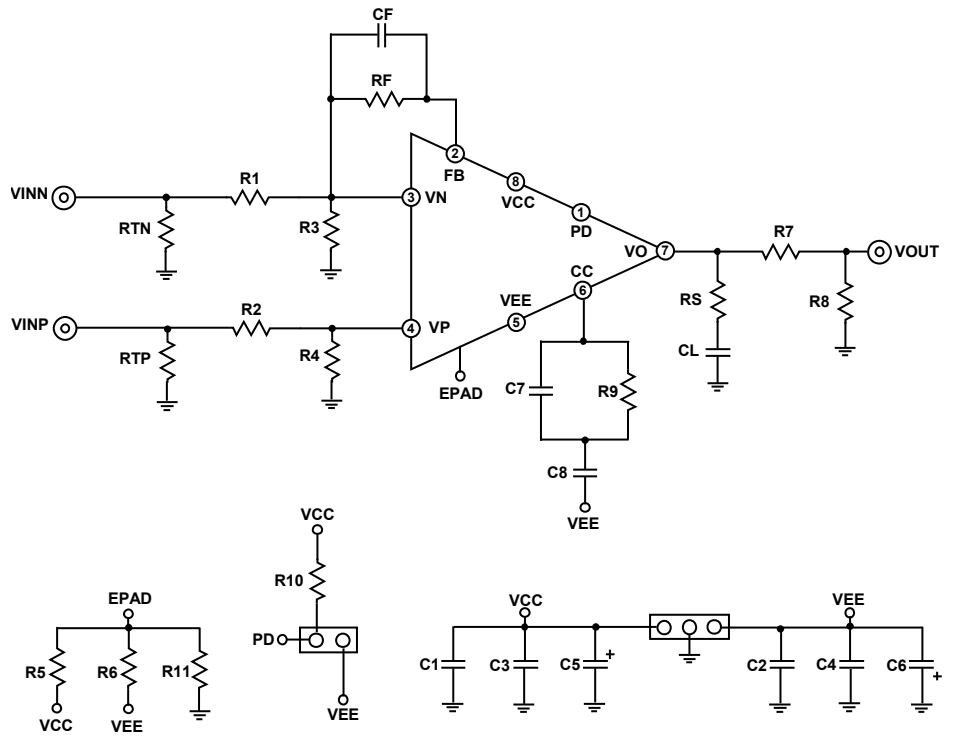
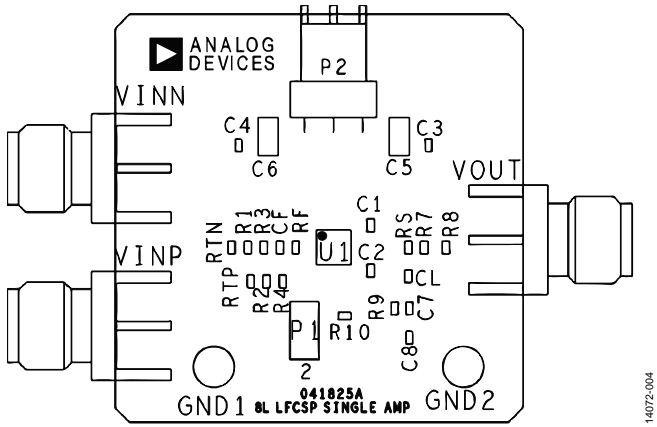
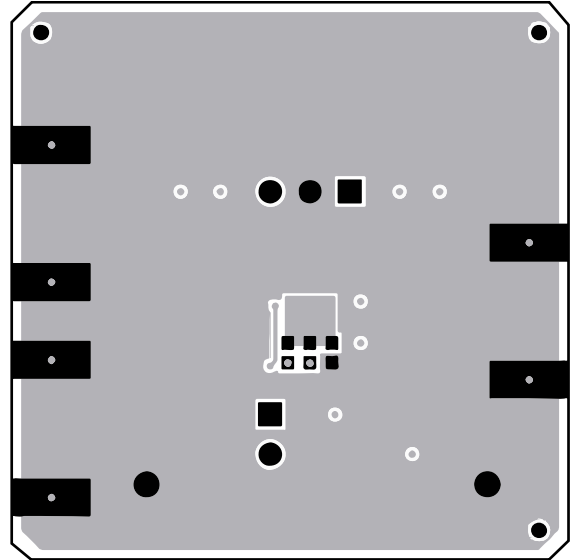


Figure 3. 8L LFCSP SINGLE AMP Evaluation Board Schematic

14072-003



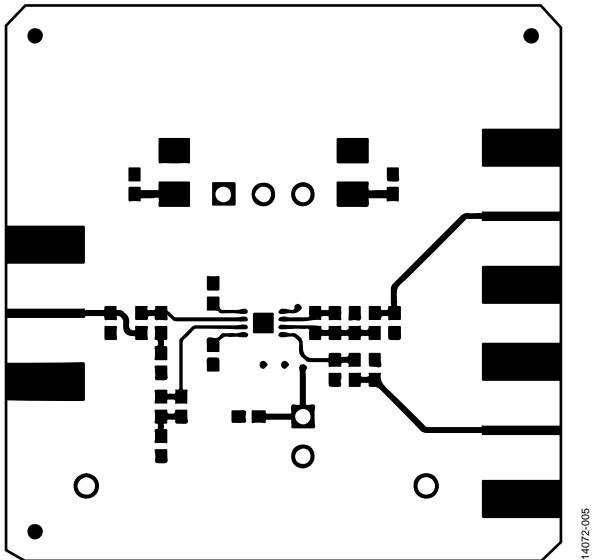
14072-004



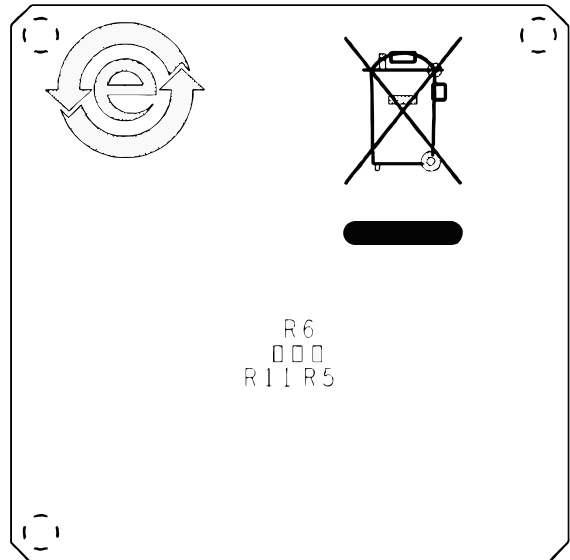
14072-006

Figure 4. Component Side Assembly Drawing

Figure 6. Circuit Side Assembly Drawing



14072-005



14072-007

Figure 5. Component Side Layout Pattern

Figure 7. Circuit Side Layout Pattern

BOARD ASSEMBLY

POWER SUPPLY BYPASSING

Internal power planes provide adequate interplanar capacitance for certain applications. The external bypass capacitors, C1 and C2, provide additional high frequency bypassing at the amplifier power pins. The C3, C4, C5, and C6 capacitors provide additional board level bypassing.

EVALUATION BOARD STACK UP

This 6-layer FR4 board design provides optimized high speed and low noise performance. The first ground layer is spaced to provide a 50 Ω controlled impedance with the primary layer to optimize high frequency performance.

The VCC layer is sandwiched with the GND layer to provide mechanical stability and distributed interplanar capacitance between VCC and GND.

The bottom three layers sandwich the VEE plane layers between two GND layers, generating distributed interplanar capacitance.

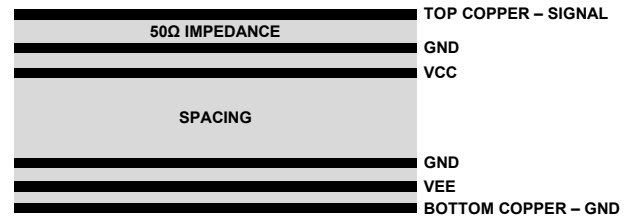


Figure 8. Stack Up

14072-008

ORDERING INFORMATION

BILL OF MATERIALS

Table 1.

Quantity	Reference Designator	Description
3	VINP, VINN, VOUT	Side mount SMAs
4	C1, C2, C3, C4	0.1 μ F capacitors
2	C5, C6	10 μ F capacitors
2	CF, CL	Capacitors, user defined
2	C7, C8	Capacitors, user defined
1	R9	Resistor, user defined
6	R1, R2, R3, R4, R7, R8	Resistors, user defined
3	R5, R6, R11	Resistors, user defined
4	RTP, RTN, RF, RS	Resistors, user defined
1	R10	1 k Ω resistor
2	GND1, GND2	Test points
2	VEE, VCC	100 mil headers, 3 position
1	PD	100 mil header, 2 position
1	U1	Analog Devices, Inc., 8-lead LFCSP amplifier



ESD Caution

ESD (electrostatic discharge) sensitive device. Charged devices and circuit boards can discharge without detection. Although this product features patented or proprietary protection circuitry, damage may occur on devices subjected to high energy ESD. Therefore, proper ESD precautions should be taken to avoid performance degradation or loss of functionality.

Legal Terms and Conditions

By using the evaluation board discussed herein (together with any tools, components documentation or support materials, the "Evaluation Board"), you are agreeing to be bound by the terms and conditions set forth below ("Agreement") unless you have purchased the Evaluation Board, in which case the Analog Devices Standard Terms and Conditions of Sale shall govern. Do not use the Evaluation Board until you have read and agreed to the Agreement. Your use of the Evaluation Board shall signify your acceptance of the Agreement. This Agreement is made by and between you ("Customer") and Analog Devices, Inc. ("ADI"), with its principal place of business at One Technology Way, Norwood, MA 02062, USA. Subject to the terms and conditions of the Agreement, ADI hereby grants to Customer a free, limited, personal, temporary, non-exclusive, non-sublicensable, non-transferable license to use the Evaluation Board FOR EVALUATION PURPOSES ONLY. Customer understands and agrees that the Evaluation Board is provided for the sole and exclusive purpose referenced above, and agrees not to use the Evaluation Board for any other purpose. Furthermore, the license granted is expressly made subject to the following additional limitations: Customer shall not (i) rent, lease, display, sell, transfer, assign, sublicense, or distribute the Evaluation Board; and (ii) permit any Third Party to access the Evaluation Board. As used herein, the term "Third Party" includes any entity other than ADI, Customer, their employees, affiliates and in-house consultants. The Evaluation Board is NOT sold to Customer; all rights not expressly granted herein, including ownership of the Evaluation Board, are reserved by ADI. CONFIDENTIALITY. This Agreement and the Evaluation Board shall all be considered the confidential and proprietary information of ADI. Customer may not disclose or transfer any portion of the Evaluation Board to any other party for any reason. Upon discontinuation of use of the Evaluation Board or termination of this Agreement, Customer agrees to promptly return the Evaluation Board to ADI. ADDITIONAL RESTRICTIONS. Customer may not disassemble, decompile or reverse engineer chips on the Evaluation Board. Customer shall inform ADI of any occurred damages or any modifications or alterations it makes to the Evaluation Board, including but not limited to soldering or any other activity that affects the material content of the Evaluation Board. Modifications to the Evaluation Board must comply with applicable law, including but not limited to the RoHS Directive. TERMINATION. ADI may terminate this Agreement at any time upon giving written notice to Customer. Customer agrees to return to ADI the Evaluation Board at that time. LIMITATION OF LIABILITY. THE EVALUATION BOARD PROVIDED HEREUNDER IS PROVIDED "AS IS" AND ADI MAKES NO WARRANTIES OR REPRESENTATIONS OF ANY KIND WITH RESPECT TO IT. ADI SPECIFICALLY DISCLAIMS ANY REPRESENTATIONS, ENDORSEMENTS, GUARANTEES, OR WARRANTIES, EXPRESS OR IMPLIED, RELATED TO THE EVALUATION BOARD INCLUDING, BUT NOT LIMITED TO, THE IMPLIED WARRANTY OF MERCHANTABILITY, TITLE, FITNESS FOR A PARTICULAR PURPOSE OR NON-INFRINGEMENT OF INTELLECTUAL PROPERTY RIGHTS. IN NO EVENT WILL ADI AND ITS LICENSORS BE LIABLE FOR ANY INCIDENTAL, SPECIAL, INDIRECT, OR CONSEQUENTIAL DAMAGES RESULTING FROM CUSTOMER'S POSSESSION OR USE OF THE EVALUATION BOARD, INCLUDING BUT NOT LIMITED TO LOST PROFITS, DELAY COSTS, LABOR COSTS OR LOSS OF GOODWILL. ADI'S TOTAL LIABILITY FROM ANY AND ALL CAUSES SHALL BE LIMITED TO THE AMOUNT OF ONE HUNDRED US DOLLARS (\$100.00). EXPORT. Customer agrees that it will not directly or indirectly export the Evaluation Board to another country, and that it will comply with all applicable United States federal laws and regulations relating to exports. GOVERNING LAW. This Agreement shall be governed by and construed in accordance with the substantive laws of the Commonwealth of Massachusetts (excluding conflict of law rules). Any legal action regarding this Agreement will be heard in the state or federal courts having jurisdiction in Suffolk County, Massachusetts, and Customer hereby submits to the personal jurisdiction and venue of such courts. The United Nations Convention on Contracts for the International Sale of Goods shall not apply to this Agreement and is expressly disclaimed.

X-ON Electronics

Largest Supplier of Electrical and Electronic Components

Click to view similar products for [Amplifier IC Development Tools](#) category:

Click to view products by [Analog Devices](#) manufacturer:

Other Similar products are found below :

[EVAL-ADCMP566BCPZ](#) [EVAL-ADCMP606BKSZ](#) [AD8013AR-14-EBZ](#) [AD8033AKS-EBZ](#) [AD8044AR-EBZ](#) [AD8225-EVALZ](#)
[ADA4859-3ACP-EBZ](#) [ADA4862-3YR-EBZ](#) [DEM-OPA-SO-2B](#) [AD744JR-EBZ](#) [AD8023AR-EBZ](#) [AD8030ARJ-EBZ](#) [AD8040ARU-EBZ](#)
[AD8073JR-EBZ](#) [AD813AR-14-EBZ](#) [AD848JR-EBZ](#) [ADA4858-3ACP-EBZ](#) [ADA4922-1ACP-EBZ](#) [551600075-001/NOPB](#) [DEM-OPA-SO-](#)
[2E](#) [THS7374EVM](#) [EVAL-ADCMP553BRMZ](#) [EVAL-ADCMP608BKSZ](#) [MIOP 42109](#) [EVAL-ADCMP609BRMZ](#) [MAX9928EVKIT+](#)
[MAX9636EVKIT+](#) [MAX9611EVKIT](#) [MAX9937EVKIT+](#) [MAX9934TEVKIT+](#) [MAX44290EVKIT#](#) [MAX2644EVKIT](#) [MAX4073EVKIT+](#)
[DEM-OPA-SO-2C](#) [MAX2643EVKIT](#) [ISL28158EVAL1Z](#) [MAX40003EVKIT#](#) [MAX2473EVKIT](#) [MAX2472EVKIT](#) [MAX4223EVKIT](#)
[MAX9700BEVKIT](#) [MADL-011014-001SMB](#) [DC1685A](#) [DEM-OPA-SO-2D](#) [MAX2670EVKIT#](#) [DEM-OPA-SO-1E](#) [AD8137YCP-EBZ](#)
[EVAL-ADA4523-1ARMZ](#) [MAX44242EVKIT#](#) [EVAL-LT5401_32FDAZ](#)