

Evaluating the LTC2065 and LTC2068 μ A Supply Current, Low I_B , Zero-Drift, Op Amp

FEATURES

Fully featured evaluation board for the **LTC2065/LTC2068**

Enables efficient prototyping

User defined circuit configuration

Simplified connection to test equipment and other circuits

EVALUATION KIT CONTENTS

EVAL-LTC2065/LTC2068-TQFN

EQUIPMENT NEEDED

Dual-output dc power supply

Dual-channel signal generator

Oscilloscope

Banana jack to grabber cables

BNC to grabber cables

DOCUMENTS NEEDED

LTC2065/LTC2068 data sheet

GENERAL DESCRIPTION

The EVAL-LTC2065/LTC2068-TQFN evaluates the **LTC2065** and **LTC2068** 16-lead, quad-channel, lead frame chip scale package (LFCSP)/quad flat no-lead (QFN) operational amplifier (op amp). The EVAL-LTC2065/LTC2068-TQFN is a prepopulated board using a gain of 2 configuration with a low-pass filter at the noninverting input. This filter has a cutoff frequency of 480 Hz for the **LTC2065** and 2.4 kHz for the **LTC2068**. This frequency minimizes the effect of chopper clock feedthrough to at least a decade below the internal chopping frequency of 5 kHz and 25 kHz for the **LTC2065** and **LTC2068**, respectively. Signal bandwidths are also limited due to slew rate limitations of the devices.

The EVAL-LTC2065/LTC2068-TQFN design allows simplified and efficient use. Bulk test points are used for the inputs and outputs. The optimized EVAL-LTC2065/LTC2068-TQFN ground plane, component placement, and power supply allow maximum circuit flexibility and performance. The exposed pad (EPAD) is shorted to the V^- pin (also connected to the VS^- turret), which is required for device operation. The EVAL-LTC2065/LTC2068-TQFN combines surface-mount technology (SMT) with almost all components being 0805 in size to provide simplified installation and the option to replace and solder when needed, except for the bypass capacitors (C1 to C4) that are fixed in 0603 sizes. The EVAL-LTC2065/LTC2068-TQFN also has unpopulated resistor and capacitor pads, which provide the user with the options and flexibility to implement different

application circuits and configurations, such as active loop filters, transimpedance amplifiers (TIAs), and sense amplifiers.

Figure 1 shows the top view of the evaluation board, and Figure 2 shows the bottom view.

EVALUATION BOARD PHOTOGRAPHS

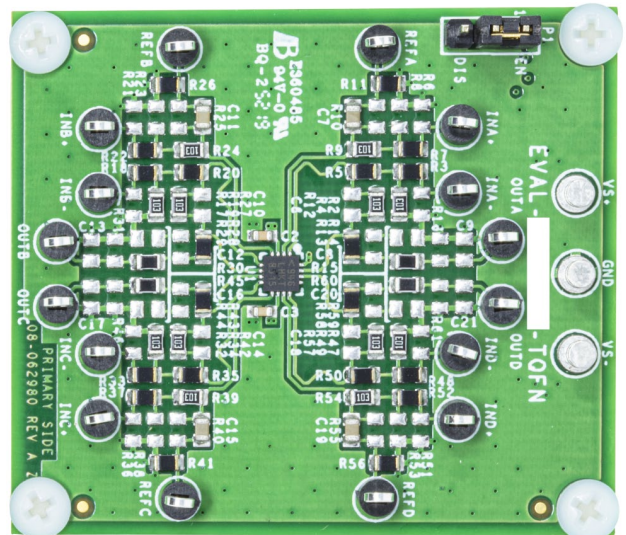


Figure 1. EVAL-LTC2065/LTC2068-TQFN, Primary Side

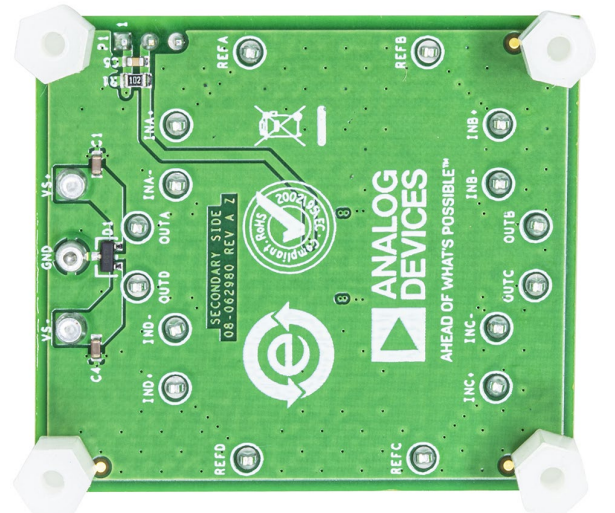


Figure 2. EVAL-LTC2065/LTC2068-TQFN, Secondary Side

Refer to the **LTC2065** and **LTC2068** data sheet for full specifications in conjunction with this user guide when using the EVAL-LTC2065/LTC2068-TQFN.

TABLE OF CONTENTS

Features 1
 Evaluation Kit Contents 1
 Equipment Needed..... 1
 Documents Needed..... 1
 General Description 1
 Evaluation Board Photographs..... 1
 Revision History 2
 Evaluation Board Quick Start Procedures 3

Power Supply Consideration3
 Initial Board Configuration3
 Using the Evaluation Board for Testing3
 Evaluation Board Schematics and Artwork.....4
 Ordering Information.....7
 Bill of Materials7

REVISION HISTORY

7/2020—Rev. 0 to Rev. A

Changed Evaluation Board Name from EVAL-LTC2065-TQFN
 to EVAL-LTC2065/LTC2068-TQFN Throughout
 Changes to User Guide Title, Features Section, Documents
 Needed Section, General Description Section, and Figure 1 1
 Changes to Table 1 7

3/2020—Revision 0: Initial Version

EVALUATION BOARD QUICK START PROCEDURES

The following sections outline the basic, prepopulated EVAL-LTC2065/LTC2068-TQFN configuration required to test the basic functionality of the device. All [LTC2065](#) and [LTC2068](#) channels are set up with the same configuration. Channel A is used as an example in the following sections.

POWER SUPPLY CONSIDERATION

Use the turret pins (VS+, VS-, and GND) to power up the EVAL-LTC2065/LTC2068-TQFN. Ensure that the correct polarity and voltage level is used to avoid reverse polarity and overvoltage, which can permanently damage the EVAL-LTC2065/LTC2068-TQFN. The operating supply voltage range is from 1.7 V to 5.25 V. Higher voltages can damage the amplifier. Decoupling capacitors of 10 μ F and 0.1 μ F are preinstalled on the EVAL-LTC2065/LTC2068-TQFN for ready operation.

INITIAL BOARD CONFIGURATION

To set up the initial EVAL-LTC2065/LTC2068-TQFN configuration, take the following steps:

1. Ensure that all equipment is powered down, including the power supply and the signal generator. Use the banana jack to grabber cables to connect the positive supply, ground, and negative supply to the VS+, VS-, and GND turret pins, respectively.
2. Verify that the P1 jumper for $\overline{\text{SHDN}}$ is in Position 1 (labeled EN) so that the device is enabled.
3. Connect the signal generator at the INA+ bulk test point and GND turret using a BNC to grabber cable to evaluate Channel A.
4. Connect the oscilloscope 10 \times probe to the OUTA bulk test point and clip the oscilloscope 10 \times probe GND to the GND turret.

USING THE EVALUATION BOARD FOR TESTING

When the procedure in the Initial Board Configuration section is complete, implement the following settings and verify the expected output:

1. Set the power supply to 2.5 V for the positive supply and -2.5 V for the negative supply, and then turn on the power supply.
2. Configure the signal generator to output a 100 Hz sine wave with 0 V offset and 0.5 V p-p and enable the generator.
3. Set the oscilloscope scaling to 200 mV/2 ms per division, the input impedance to 1 M Ω , and the oscilloscope probe attenuation factor to 10 \times . Ensure that a 100 Hz, 1 V p-p sine wave centered at 0 V appears on the oscilloscope.
4. To evaluate the device shutdown performance, move the P1 jumper into Position 3 (labeled DIS) to tie $\overline{\text{SHDN}}$ to VS-. There is no output at the OUTA bulk test point. To reenble the device, move the P1 jumper back into Position 1 (labeled EN).

Move to the next channel and repeat Step 2 and Step 3 to test the device functionality of that channel.

EVALUATION BOARD SCHEMATICS AND ARTWORK

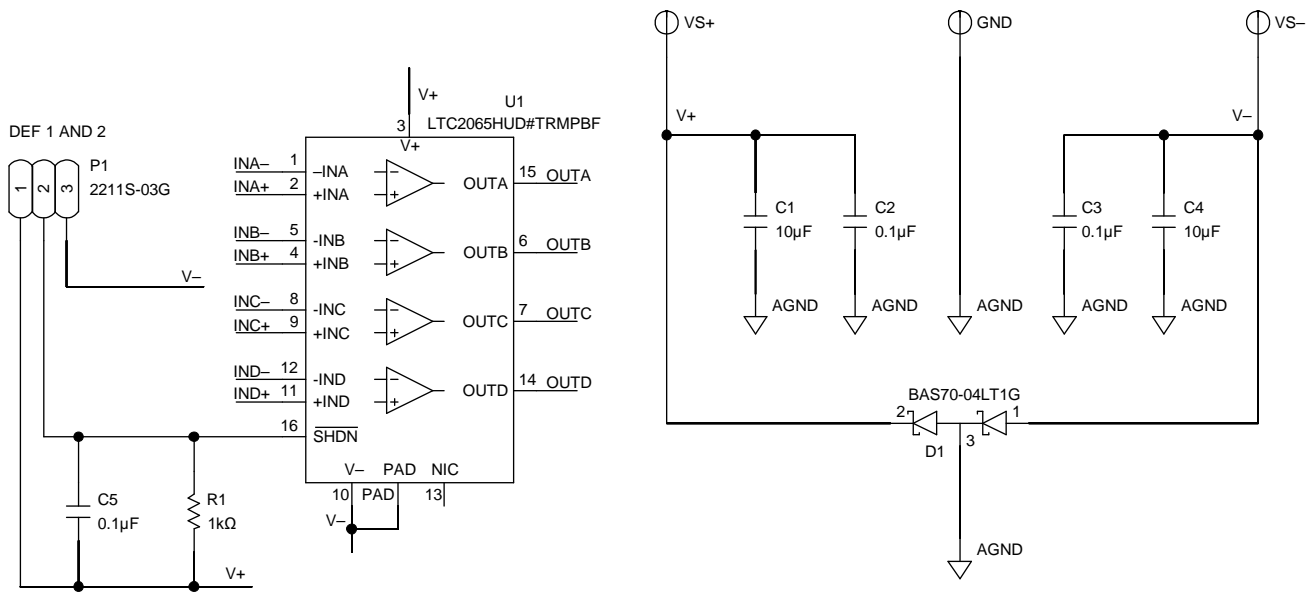


Figure 3. EVAL-LTC2065/LTC2068-TQFN Schematic, Page 1

23176-003

23178-004

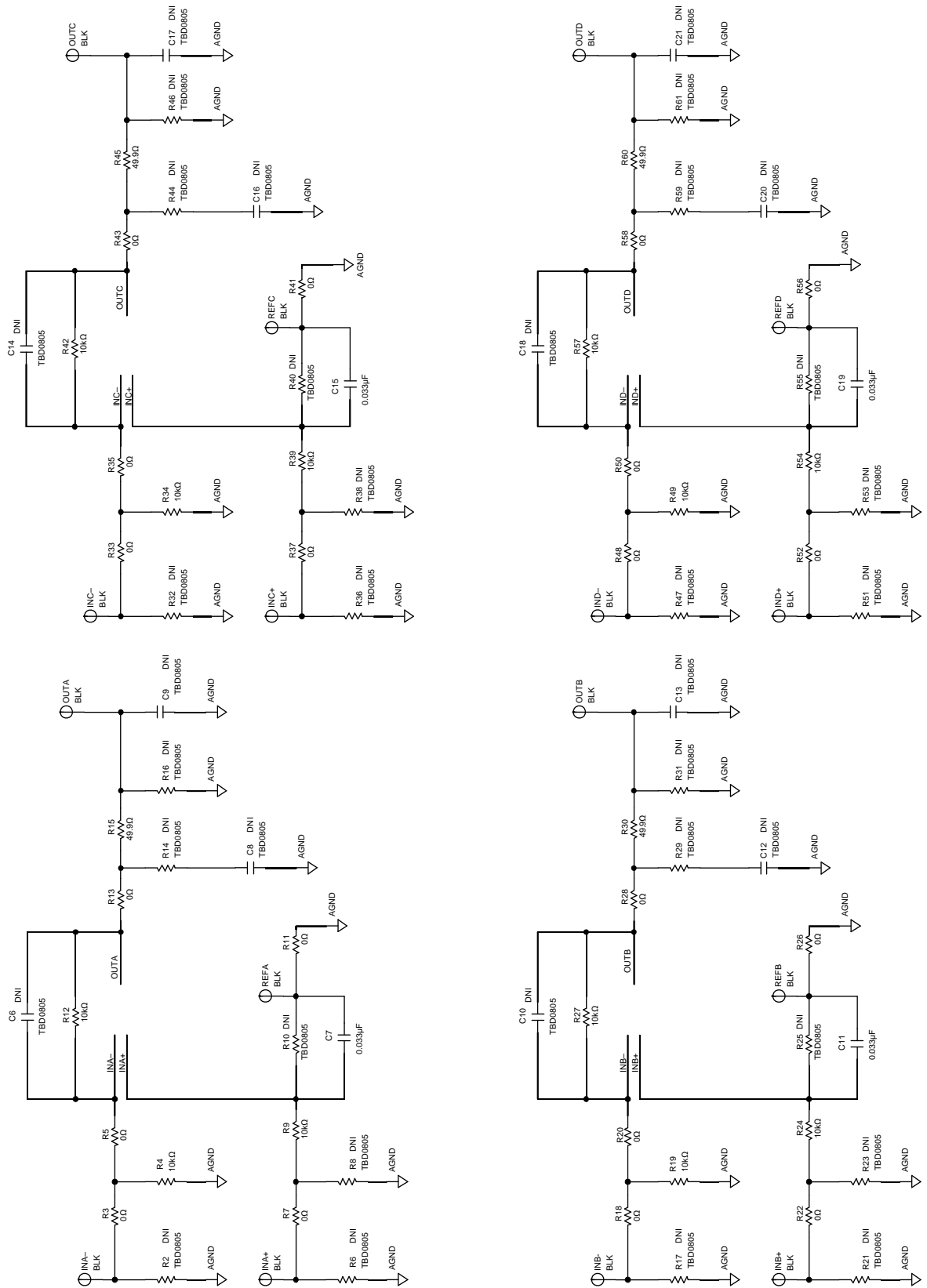
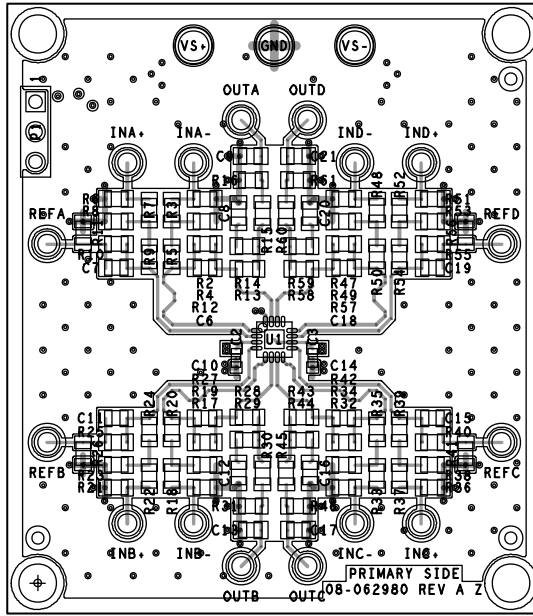
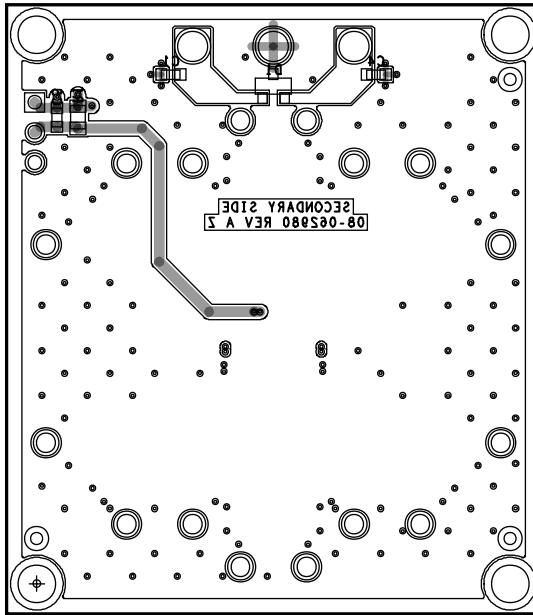


Figure 4. EVAL-LTC2065/LTC2068-TQFN Schematic, Page 2



23178-005

Figure 5. EVAL-LTC2065/LTC2068-TQFN Layout Pattern, Primary Side



23178-006

Figure 6. EVAL-LTC2065/LTC2068-TQFN Layout Pattern, Secondary Side

ORDERING INFORMATION

BILL OF MATERIALS

Table 1.

Qty	Reference Designator	Description	Supplier	Part Number
1	U1	µA supply current, low I _B , zero-drift, op amp	Analog Devices	LTC2065HUD#TRMPBF or LTC2068HUD#TRMPBF
2	C1, C4	Ceramic capacitors, X5R, 0603, 10 µF	Murata	GRM188R61E106KA73D
3	C2, C3, C5	Ceramic capacitors, X7R, 0603, 0.1 µF	Kemet	C0603C104K3RACTU
12	C6, C8 to C10, C12 to C14, C16 to C18, C20, C21	Capacitors, 0805, user defined	Not applicable	Not applicable
4	C7, C11, C15, C19	Ceramic capacitors, X7R, 0805, 0.033 µF (for LTC2065) Ceramic capacitors, C0G(NP0), 0805, 0.0068 µF (for LTC2068)	Phycomp (Yageo)	2238 580 15643 GRM2195C1H682JA01D
1	D1	Diode Schottky barrier	ON Semiconductor	BAS70-04LT1G
3	GND, VS+, VS-	PCB connector, terminal turrets	Mill-Max	2501-2-00-80-00-00-07-0
16	INA+, INA-, INB+, INB-, INC+, INC-, IND+, IND-, OUTA, OUTB, OUTC, OUTD, REFA, REFB, REFC, REFD	PCB connector, bulk test points	Keystone Electronics	5006
1	P1	Printed circuit board (PCB) connector, 3-position, male header	Multicomp (SPC)	2211S-03G
12	R4, R9, R12, R19, R24, R27, R34, R39, R42, R49, R54, R57	Resistors, 10 kΩ	Panasonic	ERA-6AEB103V
1	R1	Resistor, 1 kΩ	Panasonic	ERA-6AEB102V
4	R15, R30, R45, R60	Resistors, 49.9 Ω	Panasonic	ERA-6AEB49R9V
24	R2, R6, R8, R10, R14, R16, R17, R21, R23, R25, R29, R31, R32, R36, R38, R40, R44, R46, R47, R51, R53, R55, R59, R61	Resistors, 0805, user defined	Not applicable	Not applicable
20	R3, R5, R7, R11, R13, R18, R20, R22, R26, R28, R33, R35, R37, R41, R43, R48, R50, R52, R56, R58	Resistors, 0 Ω	Vishay	CRCW08050000Z0EA



ESD Caution

ESD (electrostatic discharge) sensitive device. Charged devices and circuit boards can discharge without detection. Although this product features patented or proprietary protection circuitry, damage may occur on devices subjected to high energy ESD. Therefore, proper ESD precautions should be taken to avoid performance degradation or loss of functionality.

Legal Terms and Conditions

By using the evaluation board discussed herein (together with any tools, components documentation or support materials, the "Evaluation Board"), you are agreeing to be bound by the terms and conditions set forth below ("Agreement") unless you have purchased the Evaluation Board, in which case the Analog Devices Standard Terms and Conditions of Sale shall govern. Do not use the Evaluation Board until you have read and agreed to the Agreement. Your use of the Evaluation Board shall signify your acceptance of the Agreement. This Agreement is made by and between you ("Customer") and Analog Devices, Inc. ("ADI"), with its principal place of business at One Technology Way, Norwood, MA 02062, USA. Subject to the terms and conditions of the Agreement, ADI hereby grants to Customer a free, limited, personal, temporary, non-exclusive, non-sublicensable, non-transferable license to use the Evaluation Board FOR EVALUATION PURPOSES ONLY. Customer understands and agrees that the Evaluation Board is provided for the sole and exclusive purpose referenced above, and agrees not to use the Evaluation Board for any other purpose. Furthermore, the license granted is expressly made subject to the following additional limitations: Customer shall not (i) rent, lease, display, sell, transfer, assign, sublicense, or distribute the Evaluation Board; and (ii) permit any Third Party to access the Evaluation Board. As used herein, the term "Third Party" includes any entity other than ADI, Customer, their employees, affiliates and in-house consultants. The Evaluation Board is NOT sold to Customer; all rights not expressly granted herein, including ownership of the Evaluation Board, are reserved by ADI. CONFIDENTIALITY. This Agreement and the Evaluation Board shall all be considered the confidential and proprietary information of ADI. Customer may not disclose or transfer any portion of the Evaluation Board to any other party for any reason. Upon discontinuation of use of the Evaluation Board or termination of this Agreement, Customer agrees to promptly return the Evaluation Board to ADI. ADDITIONAL RESTRICTIONS. Customer may not disassemble, decompile or reverse engineer chips on the Evaluation Board. Customer shall inform ADI of any occurred damages or any modifications or alterations it makes to the Evaluation Board, including but not limited to soldering or any other activity that affects the material content of the Evaluation Board. Modifications to the Evaluation Board must comply with applicable law, including but not limited to the RoHS Directive. TERMINATION. ADI may terminate this Agreement at any time upon giving written notice to Customer. Customer agrees to return to ADI the Evaluation Board at that time. LIMITATION OF LIABILITY. THE EVALUATION BOARD PROVIDED HEREUNDER IS PROVIDED "AS IS" AND ADI MAKES NO WARRANTIES OR REPRESENTATIONS OF ANY KIND WITH RESPECT TO IT. ADI SPECIFICALLY DISCLAIMS ANY REPRESENTATIONS, ENDORSEMENTS, GUARANTEES, OR WARRANTIES, EXPRESS OR IMPLIED, RELATED TO THE EVALUATION BOARD INCLUDING, BUT NOT LIMITED TO, THE IMPLIED WARRANTY OF MERCHANTABILITY, TITLE, FITNESS FOR A PARTICULAR PURPOSE OR NON-INFRINGEMENT OF INTELLECTUAL PROPERTY RIGHTS. IN NO EVENT WILL ADI AND ITS LICENSORS BE LIABLE FOR ANY INCIDENTAL, SPECIAL, INDIRECT, OR CONSEQUENTIAL DAMAGES RESULTING FROM CUSTOMER'S POSSESSION OR USE OF THE EVALUATION BOARD, INCLUDING BUT NOT LIMITED TO LOST PROFITS, DELAY COSTS, LABOR COSTS OR LOSS OF GOODWILL. ADI'S TOTAL LIABILITY FROM ANY AND ALL CAUSES SHALL BE LIMITED TO THE AMOUNT OF ONE HUNDRED US DOLLARS (\$100.00). EXPORT. Customer agrees that it will not directly or indirectly export the Evaluation Board to another country, and that it will comply with all applicable United States federal laws and regulations relating to exports. GOVERNING LAW. This Agreement shall be governed by and construed in accordance with the substantive laws of the Commonwealth of Massachusetts (excluding conflict of law rules). Any legal action regarding this Agreement will be heard in the state or federal courts having jurisdiction in Suffolk County, Massachusetts, and Customer hereby submits to the personal jurisdiction and venue of such courts. The United Nations Convention on Contracts for the International Sale of Goods shall not apply to this Agreement and is expressly disclaimed.

X-ON Electronics

Largest Supplier of Electrical and Electronic Components

Click to view similar products for [Amplifier IC Development Tools](#) category:

Click to view products by [Analog Devices](#) manufacturer:

Other Similar products are found below :

[EVAL-ADCMP566BCPZ](#) [EVAL-ADCMP606BKSZ](#) [AD8013AR-14-EBZ](#) [AD8033AKS-EBZ](#) [AD8044AR-EBZ](#) [AD8225-EVALZ](#)
[ADA4859-3ACP-EBZ](#) [ADA4862-3YR-EBZ](#) [DEM-OPA-SO-2B](#) [AD744JR-EBZ](#) [AD8023AR-EBZ](#) [AD8030ARJ-EBZ](#) [AD8040ARU-EBZ](#)
[AD8073JR-EBZ](#) [AD813AR-14-EBZ](#) [AD848JR-EBZ](#) [ADA4858-3ACP-EBZ](#) [ADA4922-1ACP-EBZ](#) [551600075-001/NOPB](#) [DEM-OPA-SO-](#)
[2E](#) [THS7374EVM](#) [EVAL-ADCMP553BRMZ](#) [EVAL-ADCMP608BKSZ](#) [MIOP 42109](#) [EVAL-ADCMP609BRMZ](#) [MAX9928EVKIT+](#)
[MAX9636EVKIT+](#) [MAX9611EVKIT](#) [MAX9937EVKIT+](#) [MAX9934TEVKIT+](#) [MAX44290EVKIT#](#) [MAX2644EVKIT](#) [MAX4073EVKIT+](#)
[DEM-OPA-SO-2C](#) [MAX2643EVKIT](#) [ISL28158EVAL1Z](#) [MAX40003EVKIT#](#) [MAX2473EVKIT](#) [MAX2472EVKIT](#) [MAX4223EVKIT](#)
[MAX9700BEVKIT](#) [MADL-011014-001SMB](#) [DC1685A](#) [DEM-OPA-SO-2D](#) [MAX2670EVKIT#](#) [DEM-OPA-SO-1E](#) [AD8137YCP-EBZ](#)
[EVAL-ADA4523-1ARMZ](#) [MAX44242EVKIT#](#) [EVAL-LT5401_32FDAZ](#)