



## GaAs MMIC SP4T NON-REFLECTIVE SWITCH, DC - 20 GHz

### Typical Applications

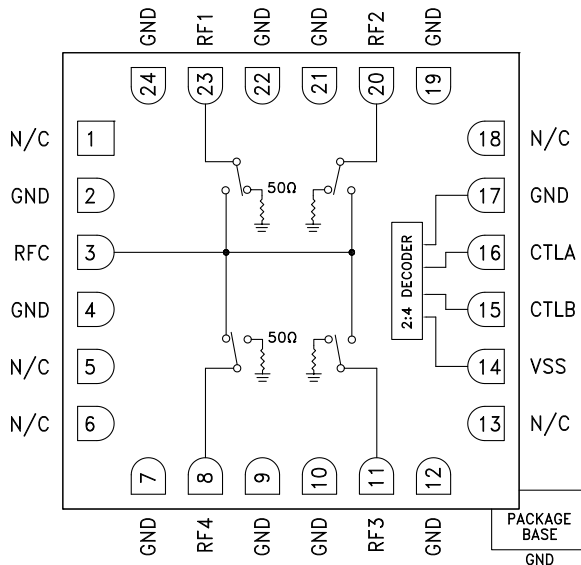
The HMC641ALC4 is ideal for:

- Telecom Infrastructure
- Microwave Radio & VSAT
- Military & Space Hybrids
- Test Instrumentation
- SATCOM & Sensors

### Features

- Broadband Performance: DC - 20 GHz
- High Isolation: 42 dB @ 12 GHz
- Low Insertion Loss: 2.1 dB @ 12 GHz
- Integrated 2:4 TTL Decoder
- 24 Lead 4x4mm SMT Package: 16mm<sup>2</sup>

### Functional Diagram



### General Description

The HMC641ALC4 is a broadband non-reflective GaAs pHEMT SP4T switch in a compact 4x4 mm ceramic package. Covering DC to 20 GHz, this switch offers high isolation, low insertion loss and on-chip termination of isolated ports. This switch also includes an on board binary decoder circuit which reduces the number of required logic control lines from four to two. The HMC641ALC4 is controlled with 0/ -5V logic, exhibits fast switching speed and consumes much less DC current than pin diode based solutions.

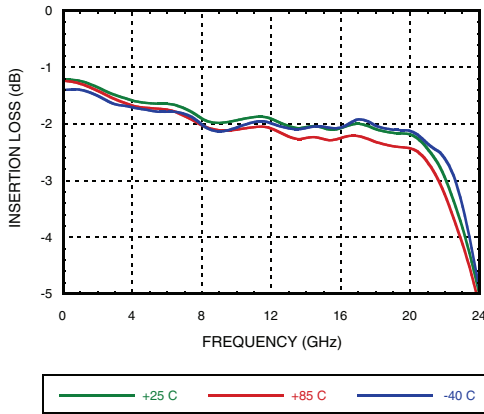
### Electrical Specifications, $T_A = +25^\circ\text{C}$ , With 0/-5V Control, $V_{SS} = -5\text{V}$ , 50 Ohm System

Parameter	Frequency	Min.	Typ.	Max.	Units
Insertion Loss	DC - 12 GHz		1.8	2.8	dB
	DC - 20 GHz		2.3	3.5	dB
Isolation (RFC to RF1 - RF4)	DC - 12 GHz	30	42		dB
	DC - 20 GHz	30	40		dB
Return Loss	"On State"	DC - 12 GHz	18		dB
		DC - 20 GHz	17		dB
Return Loss	"Off State"	DC - 20 GHz	19		dB
Input Power for 1 dB Compression	0.05 - 0.25 GHz	10	15		dBm
	0.25 - 20 GHz	20	25		dBm
Input Third Order Intercept (Two-Tone Input Power= +10 dBm Each Tone)	0.05 - 0.25 GHz		32		dBm
	0.25 - 20 GHz		41		dBm
Switching Characteristics	DC - 20 GHz	tRISE, tFALL (10/90% RF)	30		ns
		tON, tOFF (50% CTL to 10/90% RF)	100		ns

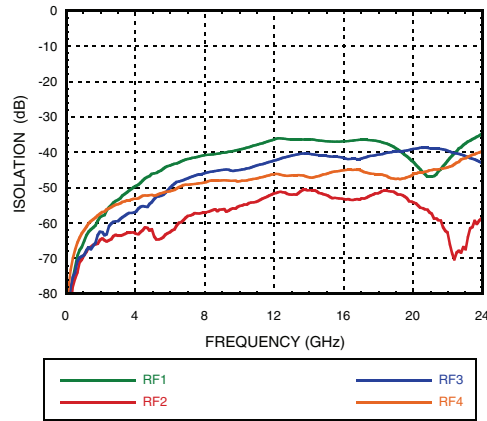


**GaAs MMIC SP4T NON-REFLECTIVE SWITCH, DC - 20 GHz**

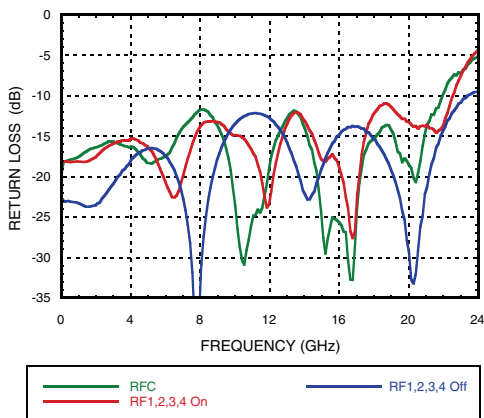
**Insertion Loss vs. Temperature**



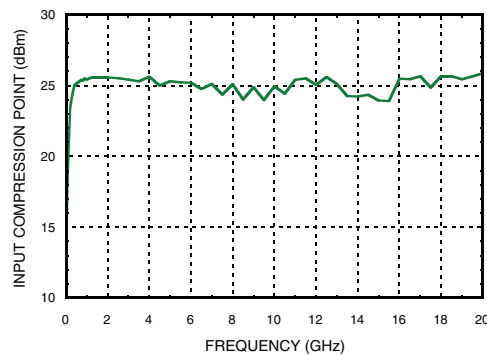
**Isolation**



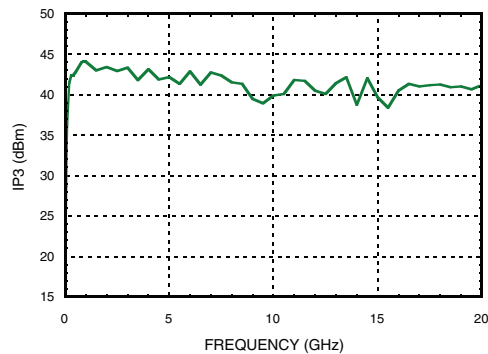
**Return Loss**



**1 dB Input Compression Point**



**Input Third Order Intercept Point @ 10 dBm Tone Power**




**GaAs MMIC SP4T NON-REFLECTIVE  
SWITCH, DC - 20 GHz**
**Absolute Maximum Ratings**

Bias Voltage (Vss)	-7V
Control Voltage Range (A & B)	Vss -0.5V to +1V
Maximum Input Power	
Insertion Loss Path	+26.5 dBm
Terminated Path	+23 dBm
Channel Temperature	150 °C
Thermal Resistance	
Channel to die bottom	
Insertion Loss Path	201 °C/W
Terminated Path	321 °C/W
Storage Temperature	-65 to +150 °C
Operating Temperature	-40 to +85 °C



**ELECTROSTATIC SENSITIVE DEVICE  
OBSERVE HANDLING PRECAUTIONS**

**Truth Table**

Control Input		Signal Path State
A	B	RFC to:
High	High	RF1
Low	High	RF2
High	Low	RF3
Low	Low	RF4

**Bias Voltage & Current**

Vss Range= -5.0 Vdc ±10%		
Vss (Vdc)	Iss (Typ) (mA)	Iss (Max) (mA)
-5	1.8	5.0

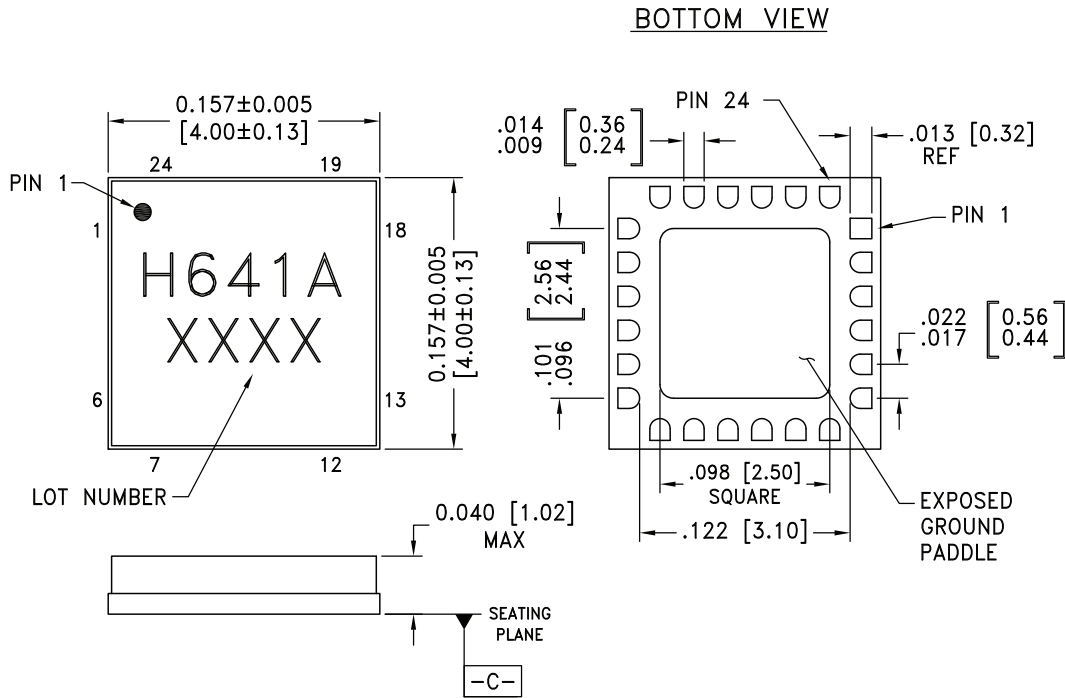
**TTL/CMOS Control Voltages**

State	Bias Condition
Low	-2.5V to 0V @ 30 µA Typ.
High	-5V to -3.8V @ 0.5 µA Typ.

## GaAs MMIC SP4T NON-REFLECTIVE SWITCH, DC - 20 GHz



### Outline Drawing



**NOTES:**

1. PACKAGE BODY MATERIAL: ALUMINA
2. LEAD AND GROUND PADDLE PLATING: 30-80 MICROINCHES GOLD OVER 50 MICROINCHES MINIMUM NICKEL.
3. DIMENSIONS ARE IN INCHES [MILLIMETERS].
4. LEAD SPACING TOLERANCE IS NON-CUMULATIVE
5. PACKAGE WARP SHALL NOT EXCEED 0.05mm DATUM **-C-**
6. ALL GROUND LEADS AND GROUND PADDLE MUST BE SOLDERED TO PCB RF GROUND.


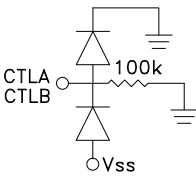
### Package Information

Part Number	Package Body Material	Lead Finish	MSL Rating	Package Marking <sup>[2]</sup>
HMC641ALC4	Alumina, White	Gold over Nickel	MSL3 <sup>[1]</sup>	H641A XXXX

[1] Max peak reflow temperature of 260 °C

[2] 4-Digit lot number XXXX

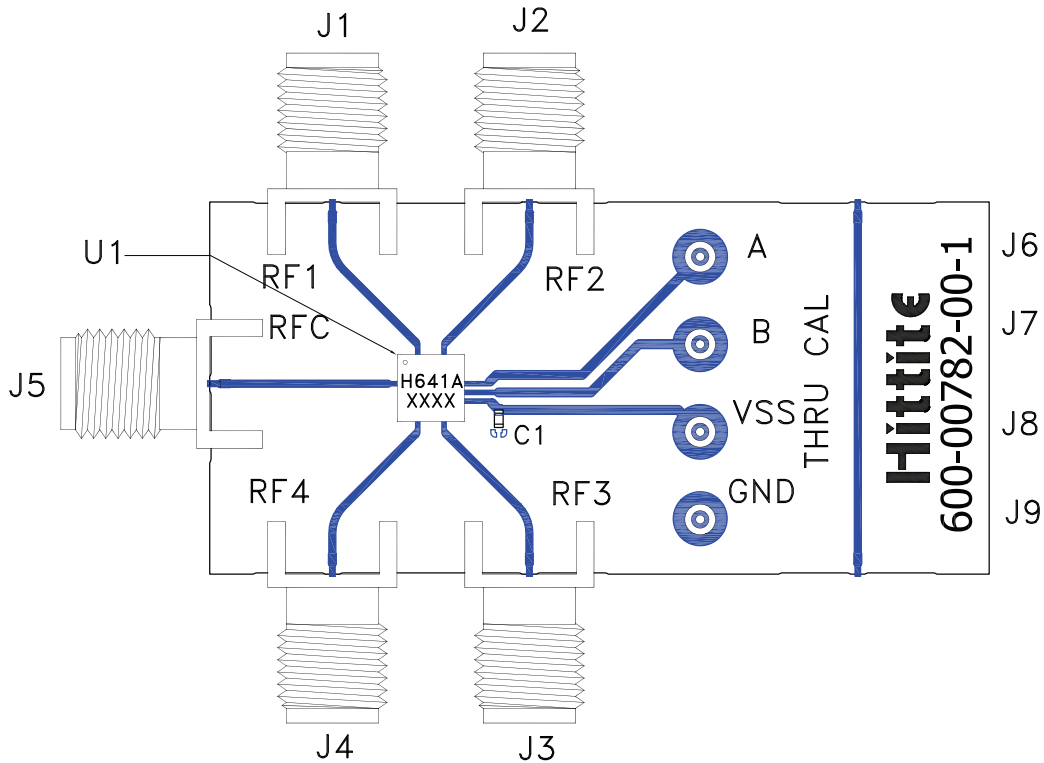

**GaAs MMIC SP4T NON-REFLECTIVE  
SWITCH, DC - 20 GHz**
**Pin Descriptions**

Pin Number	Function	Description	Interface Schematic
1, 5, 6, 13, 18	N/C	These pins are not connected internally; however, all data shown herein was measured with these pins connected to RF/DC ground externally.	
2, 4, 7, 9, 10, 12, 17, 19, 21, 22, 24 Ground Paddle	GND	These pins and the exposed ground paddle must be connected to RF/DC ground.	
3, 8, 11, 20, 23	RFC, RF1, RF2, RF3, RF4	These pads are DC coupled and matched to 50 Ohms. Blocking capacitors are required if RF line potential is not equal to 0V.	
14	Vss	Supply Voltage -5 Vdc ± 10%.	
15	CTLB	See Truth Table and Control Voltage Table.	
16	CTLA	See Truth Table and Control Voltage Table.	



**GaAs MMIC SP4T NON-REFLECTIVE  
SWITCH, DC - 20 GHz**

**Evaluation PCB**



**List of Materials for Evaluation PCB EVAL01 - HMC641ALC4 [1]**

Item	Description
J1 - J5	PCB Mount SMA Connector
J6 - J9	DC Pin
C1	1000 pF Capacitor, 0402 Pkg.
U1	HMC641ALC4 Switch
PCB [2]	600-00782-00-1 Evaluation PCB

[1] Reference this number when ordering complete evaluation PCB

[2] Circuit Board Material: Rogers 4350 or Arlon FR4

The circuit board used in the application should use RF circuit design techniques. Signal lines should have 50 Ohm impedance while the package ground leads and exposed paddle should be connected directly to the ground plane similar to that shown. A sufficient number of via holes should be used to connect the top and bottom ground planes. The evaluation board should be mounted to an appropriate heat sink. The evaluation circuit board shown is available from Hittite upon request.

## X-ON Electronics

Largest Supplier of Electrical and Electronic Components

*Click to view similar products for [RF Switch ICs](#) category:*

*Click to view products by [Analog Devices](#) manufacturer:*

Other Similar products are found below :

[MASW-008853-TR3000](#) [BGS13SN8E6327XTSA1](#) [BGSX210MA18E6327XTSA1](#) [SKY13446-374LF](#) [SW-227-PIN](#) [CG2185X2](#) [CG2415M6](#)  
[MA4SW410B-1](#) [MASW-002102-13580G](#) [MASW-008543-001SMB](#) [MASW-008955-TR3000](#) [TGS4307](#) [BGS 12PL6 E6327](#)  
[BGS1414MN20E6327XTSA1](#) [BGS1515MN20E6327XTSA1](#) [BGSA11GN10E6327XTSA1](#) [BGSX28MA18E6327XTSA1](#) [HMC199AMS8](#)  
[SKY13374-397LF](#) [SKY13453-385LF](#) [CG2415M6-C2](#) [HMC986A-SX](#) [AS222-92LF](#) [SW-314-PIN](#) [UPG2162T5N-E2-A](#) [SKY13416-485LF](#)  
[MASWSS0204TR-3000](#) [MASWSS0201TR](#) [MASWSS0181TR-3000](#) [MASW-007588-TR3000](#) [MASW-004103-13655P](#) [MASW-003102-](#)  
[13590G](#) [MASWSS0202TR-3000](#) [MA4SW310B-1](#) [MA4SW110](#) [SW-313-PIN](#) [CG2430X1](#) [SKY13321-360LF](#) [SKY13405-490LF](#)  
[SKYA21001](#) [BGSF 18DM20 E6327](#) [SKY13415-485LF](#) [MMS008PP3](#) [BGS13PN10E6327XTSA1](#) [SKY13319-374LF](#)  
[BGS14PN10E6327XTSA1](#) [SKY12213-478LF](#) [SKY13404-466LF](#) [MASW-011060-TR0500](#) [SKYA21024](#)