

QUADRUPLE OPERATIONAL AMPLIFIERS

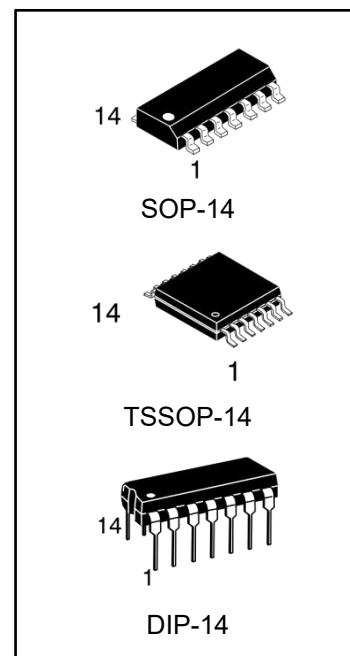
DESCRIPTION

The LM324 consists of four independent, high gain, internally frequency compensated operational amplifiers which were designed specifically to operate from a single power supply over a wide range of voltages. Operation from split power supplies is also possible and the low power supply current drain is independent of the magnitude of the power supply voltage.

Application areas include transducer amplifiers, DC gain blocks and all the conventional op amp circuits.

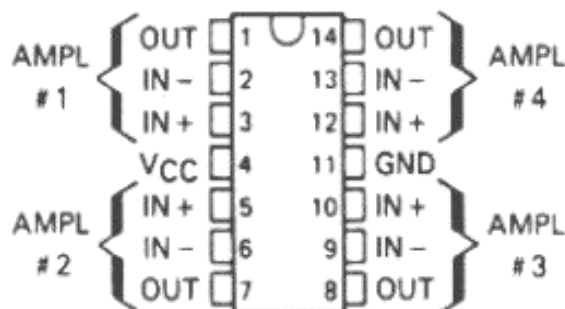
FEATURES

- Wide range of supply voltages
- Low supply current drain independent of supply voltage
- Low input biasing current
- Low input offset voltage and offset current
- Input common-mode voltage range includes ground
- Differential input voltage range equal to the power supply voltage
- DC voltage gain 100 V/ mV Typ
- Internally frequency compensation



ORDERING INFORMATION

DEVICE	Package Type	MARKING	Packing	Packing Qty
LM324PG	DIP-14	LM324	TUBE	1000pcs/Box
LM324DRG	SOP-14	LM324	REEL	2500pcs/Reel
LM324PWRG	TSSOP-14	LM324	REEL	2500pcs/Reel

PACKAGE INFORMATION


DIP-14/SOP-14/TSSOP-14

ELECTRICAL CHARACTERISTICS

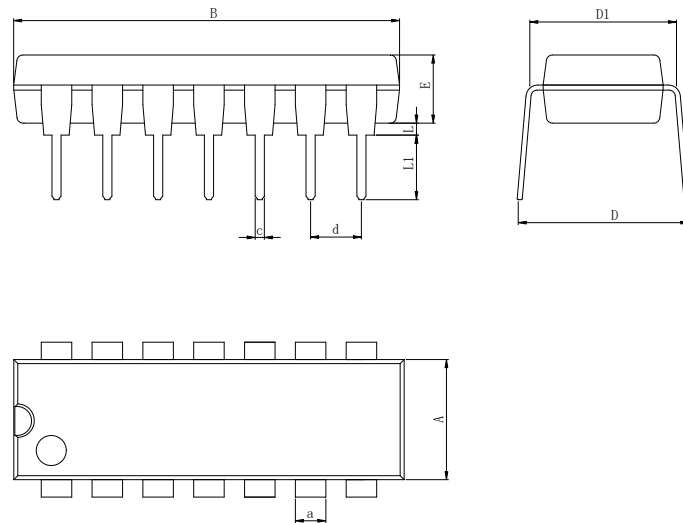
 at specified free-air temperature, $V_{CC} = 5V$ (unless otherwise noted)

PARAMETER	TEST CONDITIONS*	LM324			UNIT	
		MIN	TYP	MAX		
V _{IO} Input offset voltage	V _{CC} = 5V to MAX, V _{IC} = V _{ICRmin} , V _O = 1.4V	25°C	3	7	mV	
		Full temperature range		9		
α V _{IO} Average temperature coefficient of input offset voltage		Full temperature range	7		$\mu V/^\circ C$	
I _{IO} Input offset current	V _O = 1.4V	25°C	2	50	nA	
		Full temperature range		150		
α I _{IO} Average temperature coefficient of input offset current		Full temperature range	10		pA/°C	
I _{IB} Input bias current	V _O = 1.4V	25°C	-20	-250	nA	
		Full temperature range		-500		
V _{ICR} Common-mode input voltage range	V _{CC} = 5V to MAX	25°C	0 to V _{CC} - 1.5		V	
		Full temperature range	0 to V _{CC} - 2			
V _{OH} High-level output voltage	RL = 2 k Ω	25°C	V _{CC} - 1.5		V	
	V _{CC} = MAX, RL = 2k Ω	Full temperature range	26			
	V _{CC} = MAX, RL = 10 k Ω	Full temperature range	27	28		
V _{OL} Low-level output voltage	RL = 10 k Ω	Full temperature range		5	20	mV
AVD	V _{CC} = 15 V,	25°C	25	100		V/mV

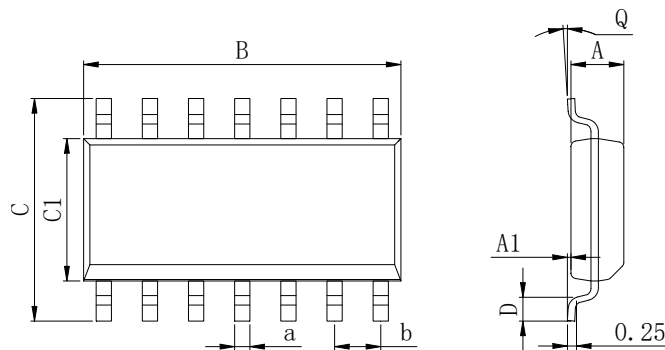
Large-signal differential voltage amplification	Vo=1V to 11 V, RL≥2 kΩ	Full temperature range	15			
CMRR Common-mode rejection ratio	Vcc = 5V to MAX, VIC = VICR min	25°C	65	80		dB
kSVR Supply voltage rejection ratio (ΔVcc/ΔVIO)	Vcc = 5V to MAX	25°C	65	100		dB
Vo1/Vo2 Crosstalk attenuation	f=1kHz to 20 kHz	25°C		120		dB
IO Output current	Vcc = 15 V, VID=1V,Vo= 0	25°C	-20	-30		mA
		Full temperature range	-10			
	Vcc = 15 V, VID= -1V, Vo=15V	25°C	10	20		μA
		Full temperature range	5			
VID= -1V, Vo = 200 mV	25°C	12	30			
Ios Short-circuit output current	Vcc at 5 V, GND at -5V,Vo=0	25°C		±40	±60	mA
Icc Supply current (four amplifiers)	Vo = 2.5 V, No load	Full temperature range		1.5	2.4	mA
	Vcc = MAX, Vo = 0.5Vcc, No load	Full temperature range		1.1	3	

* All characteristics are measured under open loop conditions with zero common-mode input voltage unless otherwise specified.

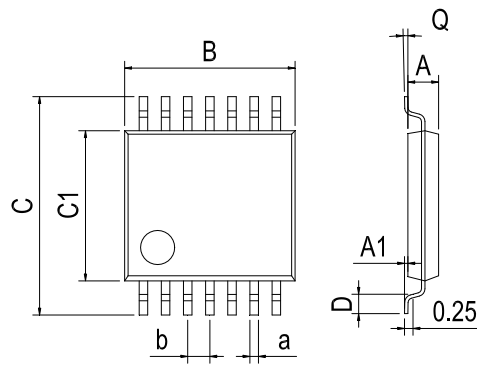
"MAX" Vcc for testing purposes is 30 V. Operating temperature -40~ 85° C, MAX Junction temperature + 125°C.

PHYSICAL DIMENSIONS
DIP-14

Dimensions In Millimeters(DIP-14)

Symbol:	A	B	D	D1	E	L	L1	a	c	d
Min:	6.10	18.94	8.10	7.42	3.10	0.50	3.00	1.50	0.40	2.54 BSC
Max:	6.68	19.56	10.9	7.82	3.55	0.70	3.60	1.55	0.50	

SOP-14

Dimensions In Millimeters(SOP-14)

Symbol:	A	A1	B	C	C1	D	Q	a	b
Min:	1.35	0.05	8.55	5.80	3.80	0.40	0°	0.35	1.27 BSC
Max:	1.55	0.20	8.75	6.20	4.00	0.80	8°	0.45	

TSSOP-14


Dimensions In Millimeters(TSSOP-14)									
Symbol:	A	A1	B	C	C1	D	Q	a	b
Min:	0.85	0.05	4.90	6.20	4.30	0.40	0°	0.20	0.65 BSC
Max:	0.95	0.20	5.10	6.60	4.50	0.80	8°	0.25	

REVISION HISTORY

DATE	REVISION	PAGE
2019-10-5	New	1-7
2023-8-29	Update encapsulation type、 Updated DIP-14 dimension	1、 4

IMPORTANT STATEMENT:

Hanschip Semiconductor reserves the right to change its products and services without notice. Before ordering, the customer shall obtain the latest relevant information and verify whether the information is up to date and complete. Hanschip Semiconductor does not assume any responsibility or obligation for the altered documents.

Customers are responsible for complying with safety standards and taking safety measures when using Hanschip Semiconductor products for system design and machine manufacturing. You will bear all the following responsibilities: select the appropriate Hanschip Semiconductor products for your application; Design, validate and test your application; Ensure that your application meets the appropriate standards and any other safety, security or other requirements. To avoid the occurrence of potential risks that may lead to personal injury or property loss.

Hanschip Semiconductor products have not been approved for applications in life support, military, aerospace and other fields, and Hanschip Semiconductor will not bear the consequences caused by the application of products in these fields. All problems, responsibilities and losses arising from the user's use beyond the applicable area of the product shall be borne by the user and have nothing to do with Hanschip Semiconductor, and the user shall not claim any compensation liability against Hanschip Semiconductor by the terms of this Agreement.

The technical and reliability data (including data sheets), design resources (including reference designs), application or other design suggestions, network tools, safety information and other resources provided for the performance of semiconductor products produced by Hanschip Semiconductor are not guaranteed to be free from defects and no warranty, express or implied, is made. The use of testing and other quality control technologies is limited to the quality assurance scope of Hanschip Semiconductor. Not all parameters of each device need to be tested.

The documentation of Hanschip Semiconductor authorizes you to use these resources only for developing the application of the product described in this document. You have no right to use any other Hanschip Semiconductor intellectual property rights or any third party intellectual property rights. It is strictly forbidden to make other copies or displays of these resources. You should fully compensate Hanschip Semiconductor and its agents for any claims, damages, costs, losses and debts caused by the use of these resources. Hanschip Semiconductor accepts no liability for any loss or damage caused by infringement.

X-ON Electronics

Largest Supplier of Electrical and Electronic Components

Click to view similar products for [Operational Amplifiers - Op Amps](#) category:

Click to view products by [Analog Devices](#) manufacturer:

Other Similar products are found below :

[430227FB](#) [LT1678IS8](#) [NCV33202DMR2G](#) [NJM324E](#) [M38510/13101BPA](#) [NTE925](#) [AZV358MTR-G1](#) [AP4310AUMTR-AG1](#)
[AZV358MMTR-G1](#) [SCY33178DR2G](#) [NCV20034DR2G](#) [NTE778S](#) [NTE871](#) [NTE937](#) [NJU7057RB1-TE2](#) [SCY6358ADR2G](#)
[NJM2904CRB1-TE1](#) [UPC4570G2-E1-A](#) [UPC4741G2-E1-A](#) [UPC4574GR-9LG-E1-A](#) [NJM8532RB1-TE1](#) [EL2250CS](#) [EL5100IS](#) [EL5104IS](#)
[EL5127CY](#) [EL5127CYZ](#) [EL5133IW](#) [EL5152IS](#) [EL5156IS](#) [EL5162IS](#) [EL5202IY](#) [EL5203IY](#) [EL5204IY](#) [EL5210CS](#) [EL5210CYZ](#)
[EL5211IYE](#) [EL5220CY](#) [EL5223CLZ](#) [EL5223CR](#) [EL5224ILZ](#) [EL5227CLZ](#) [EL5227CRZ](#) [EL5244CS](#) [EL5246CS](#) [EL5246CSZ](#) [EL5250IY](#)
[EL5251IS](#) [EL5257IS](#) [EL5260IY](#) [EL5261IS](#)