

# Complete Single Supply 12-Bit Voltage Output DAC in SO-8

## FEATURES

- **8-Pin SO Package**
- **Buffered Voltage Output**
- **Built-In 2.048V Reference**
- 500 $\mu$ V/LSB with 2.048V Full Scale
- 1/2LSB Max DNL Error
- Guaranteed 12-Bit Monotonic
- 3-Wire Cascadable Serial Interface
- Wide Single Supply Range:  $V_{CC} = 4.75V$  to 15.75V
- Low Power:  $I_{CC}$  Typ = 350 $\mu$ A with 5V Supply

## APPLICATIONS

- Digital Offset/Gain Adjustment
- Industrial Process Control
- Automatic Test Equipment

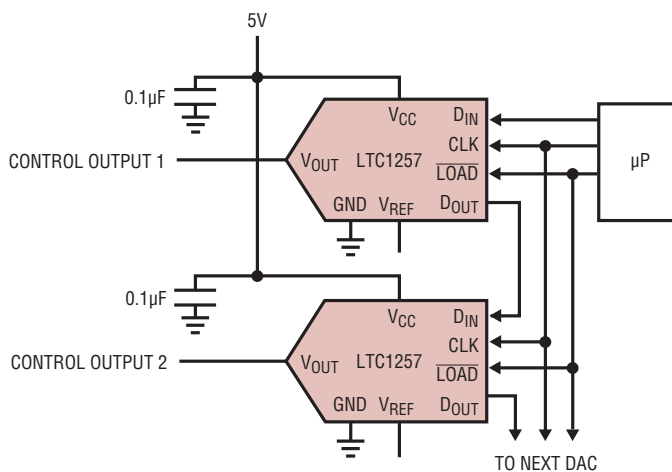
## DESCRIPTION

The LTC<sup>®</sup>1257 is a complete single supply, 12-bit voltage output D/A converter (DAC) in an SO-8 package. The LTC1257 includes an output buffer amplifier, 2.048V voltage reference and an easy to use 3-wire cascadable serial interface. An external reference can be used to override the internal reference and extend the output voltage range to 12V. The power supply current is a low 350 $\mu$ A when operating from a 5V supply, making the LTC1257 ideal for battery-powered applications. The space-saving 8-pin SO package and operation with no external components provide the smallest 12-bit D/A system available.

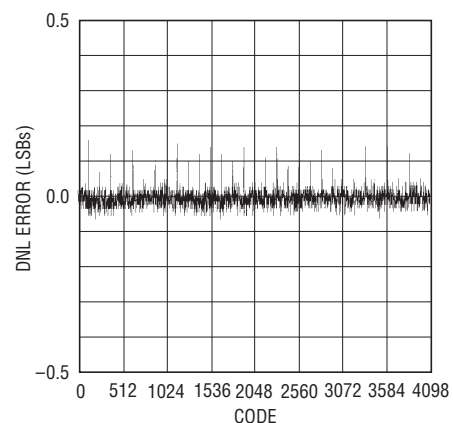
LT, LT, LTC, LTM, Linear Technology and the Linear logo are registered trademarks of Linear Technology Corporation. All other trademarks are the property of their respective owners.

## TYPICAL APPLICATION

**Daisy-Chained Control Outputs**



**Differential Nonlinearity vs Input Code**

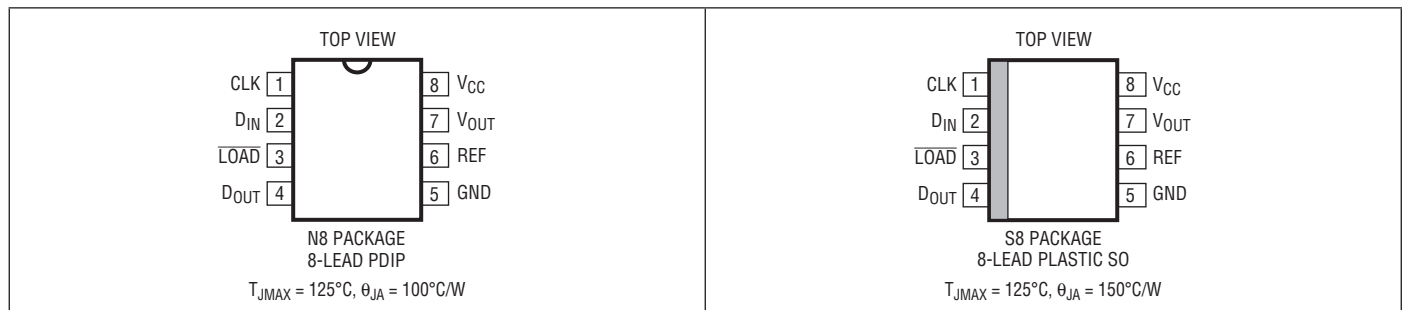


# LTC1257

## ABSOLUTE MAXIMUM RATINGS (Note 1)

$V_{CC}$ to GND .....	-0.5V to 16.5V	Maximum Junction Temperature
TTL Input Voltage .....	-0.5V to $V_{CC} + 0.5V$	Plastic Package.....
$V_{OUT}$ .....	-0.5V to $V_{CC} + 0.5V$	Storage Temperature Range .....
REF .....	-0.5V to $V_{CC} + 0.5V$	Lead Temperature (Soldering, 10 sec).....
Operating Temperature Range		
LTC1257C .....	0°C to 70°C	
LTC1257I.....	-40°C to 85°C	

## PIN CONFIGURATION



## ORDER INFORMATION

LEAD FREE FINISH	TAPE AND REEL	PART MARKING	PACKAGE DESCRIPTION	TEMPERATURE RANGE
LTC1257CN8#PBF	LTC1257CN8#TRPBF	LTC1257CN8	8-Lead PDIP	0°C to 70°C
LTC1257IN8#PBF	LTC1257IN8#TRPBF	LTC1257IN8	8-Lead PDIP	-40°C to 85°C
LTC1257CS8#PBF	LTC1257CS8#TRPBF	1257	8-Lead Plastic SO	0°C to 70°C
LTC1257IS8#PBF	LTC1257IS8#TRPBF	1257I	8-Lead Plastic SO	-40°C to 85°C

Consult LTC Marketing for parts specified with wider operating temperature ranges.

Consult LTC Marketing for information on nonstandard lead based finish parts.

For more information on lead free part marking, go to: <http://www.linear.com/leadfree/>

For more information on tape and reel specifications, go to: <http://www.linear.com/tapeandreeel/>

**ELECTRICAL CHARACTERISTICS** The ● denotes the specifications which apply over the full operating temperature range, otherwise specifications are at  $T_A = T_{MIN}$  to  $T_{MAX}$ .  $V_{CC} = 4.75V$  to  $15.75V$ , internal or external reference ( $2.475V \leq V_{REF} \leq V_{CC} - 2.7V$ ), unless otherwise noted.

SYMBOL	PARAMETER	CONDITIONS	MIN	TYP	MAX	UNITS
<b>DAC</b>						
	Resolution		●	12		Bits
DNL	Differential Nonlinearity	Guaranteed Monotonic (Note 4)	●		±0.5	LSB
INL	Integral Nonlinearity	LTC1257C (Note 4)	●		±3.5	LSB
		LTC1257I (Note 4)	●		±4.0	LSB

**ELECTRICAL CHARACTERISTICS** The ● denotes the specifications which apply over the full operating temperature range, otherwise specifications are at  $T_A = T_{MIN}$  to  $T_{MAX}$ .  $V_{CC} = 4.75V$  to  $15.75V$ , internal or external reference ( $2.475V \leq V_{REF} \leq V_{CC} - 2.7V$ ), unless otherwise noted.

SYMBOL	PARAMETER	CONDITIONS		MIN	TYP	MAX	UNITS
OFF	Offset Error	When Using Internal Reference, LTC1257C	●			±8	LSB
		When Using Internal Reference, LTC1257I	●			±10	LSB
		When Using External Reference, LTC1257C	●			±4	mV
		When Using External Reference, LTC1257I	●			±5	mV
OFF <sub>TC</sub>	Offset Error Tempco	When Using Internal Reference (Note 2)	●		±0.02	±0.066	LSB/°C
		When Using External Reference (Note 2)	●		±15	±30	µV/°C
	Gain Error		●		0.5	±2	LSB
	Gain Error Tempco	(Note 2)	●		±0.01	±0.02	LSB/°C
<b>Reference</b>							
	Reference Output Voltage	$I_{REF} = 0$ , LTC1257C	●	2.028	2.048	2.068	V
		$I_{REF} = 0$ , LTC1257I	●	2.018		2.078	V
	Reference Output Tempco	$I_{REF} = 0$	●		±0.06		LSB/°C
	Reference Line Regulation	$I_{REF} = 0$ , LTC1257C	●			±0.4	LSB/V
		$I_{REF} = 0$ , LTC1257I	●			±0.7	LSB/V
	Reference Load Regulation	$0\mu A \leq I_{REF} \leq 100\mu A$	●			±1	LSB
	Reference Input Range	$V_{CC} > V_{REF} + 2.7V$	●	2.475		12	V
	Reference Input Resistance		●	8	14	18	kΩ
	Reference Input Capacitance	(Note 2)			15		pF
	Short-Circuit Current	$V_{REF}$ Shorted to GND	●			90	mA
<b>Power Supply</b>							
$V_{CC}$	Positive Supply Voltage	For Specified Performance	●	4.75		15.75	V
$I_{CC}$	Supply Current	$4.75V \leq V_{CC} \leq 5.25V$	●		350	600	µA
		$4.75V \leq V_{CC} \leq 15.75V$	●		800	1500	µA
<b>Op Amp DC Performance</b>							
	Short-Circuit Current Low	$V_{OUT}$ Shorted to GND	●			60	mA
	Short-Circuit Current High	$V_{OUT}$ Shorted to $V_{CC}$	●			60	mA
	Output Impedance to GND	Input Code = 0	●		250	500	Ω
<b>AC Performance</b>							
	Voltage Output Slew Rate	5kΩ in Parallel with 100pF	●	1.0			V/µs
	Voltage Output Settling Time	To ±1/2LSB, 5kΩ in Parallel with 100pF, $V_{CC} = 4.75V$			6		µs
	Digital Feedthrough	(Notes 2, 3)			50		nV/s
<b>Digital I/O</b>							
$V_{IH}$	Digital Input High Voltage		●	2.4			V
$V_{IL}$	Digital Input Low Voltage		●			0.8	V
$V_{OH}$	Digital Output High Voltage	$I_{OUT} = -1mA$ , $D_{OUT}$ Only	●	$V_{CC} - 1$			V
$V_{OL}$	Digital Output Low Voltage	$I_{OUT} = 1mA$ , $D_{OUT}$ Only	●	0.4			V
$I_{LEAK}$	Digital Input Leakage	$V_{IN} = GND$ to $V_{CC}$	●			±10	µA
$C_{IN}$	Digital Input Capacitance	(Note 2)	●			10	pF
<b>Switching (Note 2)</b>							
$t_1$	$D_{IN}$ Valid to CLK Setup		●	100			ns
$t_2$	$D_{IN}$ Valid to CLK Hold		●	25			ns
$t_3$	CLK High Time		●	350			ns
$t_4$	CLK Low Time		●	350			ns

## ELECTRICAL CHARACTERISTICS

The ● denotes the specifications which apply over the full operating temperature range, otherwise specifications are at  $T_A = T_{MIN}$  to  $T_{MAX}$ .  $V_{CC} = 4.75V$  to  $15.75V$ , internal or external reference ( $2.475V \leq V_{REF} \leq V_{CC} - 2.7V$ ), unless otherwise noted.

SYMBOL	PARAMETER	CONDITIONS	MIN	TYP	MAX	UNITS
$t_5$	LOAD Pulse Width		●	150		ns
$t_6$	LSB CLK to LOAD		●	0		ns
$t_7$	LOAD High to CLK		●	0		ns
$t_8$	$D_{OUT}$ Output Delay	$C_{LOAD} = 15pF$	●		150	ns
$f_{CLK}$	Maximum Clock Frequency				1.4	MHZ

**Note 1:** Stresses beyond those listed under Absolute Maximum Ratings may cause permanent damage to the device. Exposure to any Absolute Maximum Rating condition for extended periods may affect device reliability and lifetime.

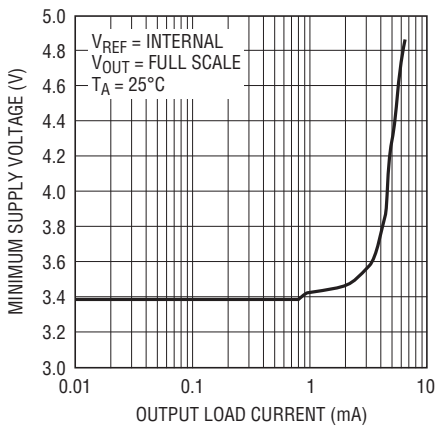
**Note 2:** Guaranteed by design; not subject to test.

**Note 3:** DAC switched from all 1s to all 0s, and all 0s to all 1s code.

**Note 4:** Guaranteed with internal  $V_{REF}$  or with external  $V_{REF}$  range of 2.475V to 12V. Tested at 10V.

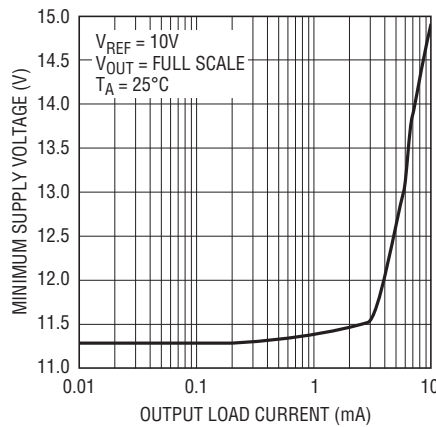
## TYPICAL PERFORMANCE CHARACTERISTICS

Minimum Supply Voltage vs Load Current #1



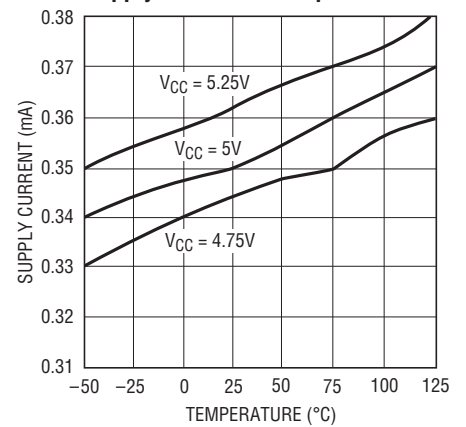
1257 G01

Minimum Supply Voltage vs Load Current #2



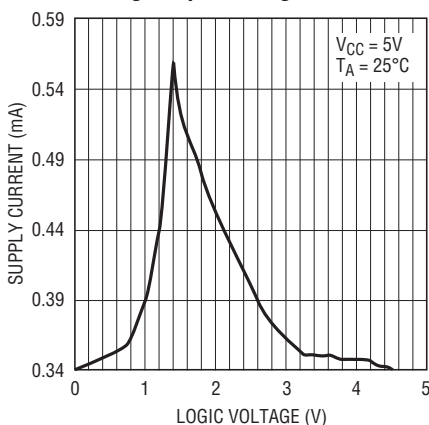
1257 G02

Supply Current vs Temperature



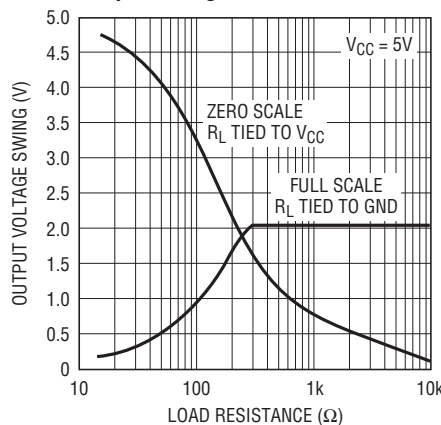
1257 G03

Supply Current vs Logic Input Voltage



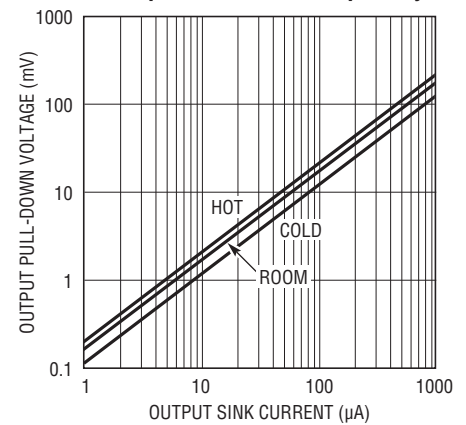
1257 G04

Output Swing vs Load Resistance



1257 G05

Pull-Down Voltage vs Output Sink Current Capability

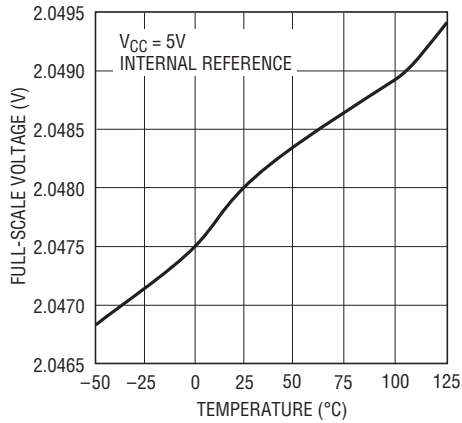


1257 G06

1257fc

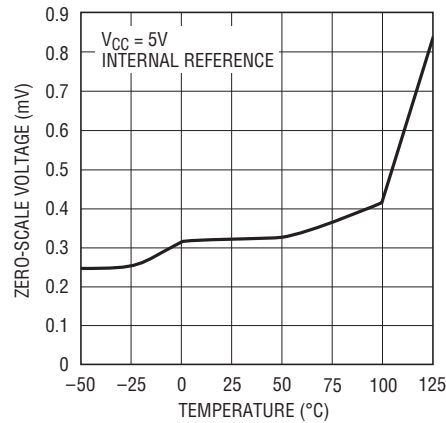
## TYPICAL PERFORMANCE CHARACTERISTICS

**Full-Scale Voltage vs Temperature**



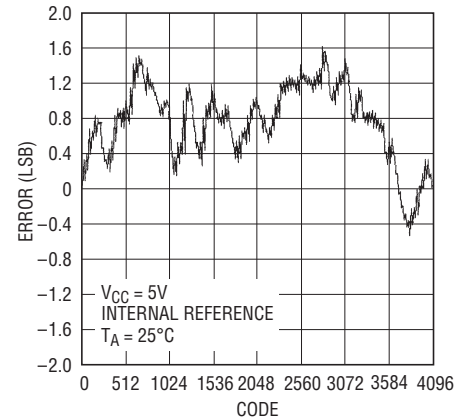
1257 G07

**Zero-Scale Voltage vs Temperature**



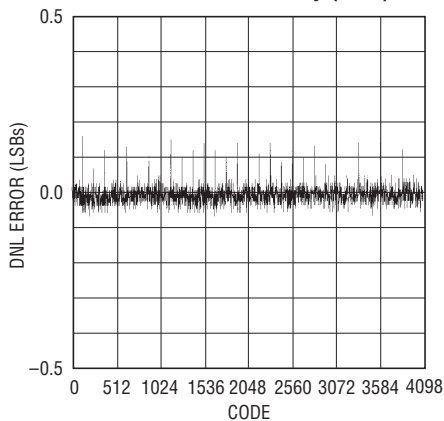
1257 G08

**Integral Nonlinearity (INL)**



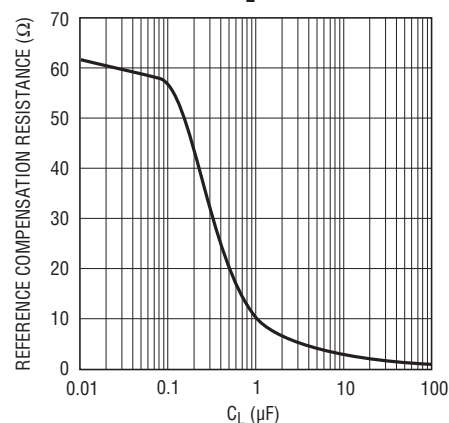
1257 G09

**Differential Nonlinearity (DNL)**



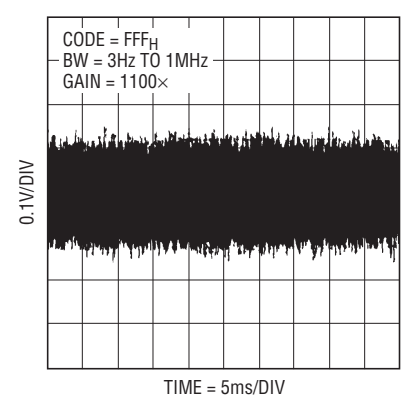
1257 TA05

**Reference Compensation Resistance vs  $C_L$**



1257 G11

**Broadband Noise**



1257 G12

## PIN FUNCTIONS

**CLK (Pin 1):** The TTL level input for the serial interface clock.

**$D_{IN}$  (Pin 2):** The TTL level input for the serial interface data. Data on the  $D_{IN}$  pin is latched into the shift register on the rising edge of the serial clock.

**LOAD (Pin 3):** The TTL level input for the serial interface load control. Data is loaded from the shift register into the DAC register, thus updating the DAC output when  $\overline{LOAD}$  is pulled low. The DAC register is transparent as long as  $\overline{LOAD}$  is held low.

**$D_{OUT}$  (Pin 4):** The output of the shift register which becomes valid on the rising edge of the serial clock. The  $D_{OUT}$  pin is driven from GND to  $V_{CC}$  by an internal CMOS inverter. Multiple LTC1257s may be cascaded by connecting the  $D_{OUT}$  pin to the  $D_{IN}$  pin of the next chip.

**GND (Pin 5):** Ground.

**REF (Pin 6):** The output of the 2.048V reference and the input to the DAC resistor ladder. An external reference with voltage from 2.475V to  $V_{CC} - 2.7V$  may be used to override the internal reference.

## PIN FUNCTIONS

**V<sub>OUT</sub> (Pin 7):** The buffered DAC output is capable of sourcing 2mA over temperature while pulling within 2.7V of V<sub>CC</sub>. The output will pull to ground through an internal 250Ω equivalent resistance.

**V<sub>CC</sub> (Pin 8):** The positive supply input.  $4.75V \leq V_{CC} \leq 15.75V$ . Requires a bypass capacitor to ground.

## DEFINITIONS

**LSB:** The least significant bit or the ideal voltage difference between two successive codes.

$$LSB = (V_{FS} - V_{OS})/2^n - 1$$

n = The number of digital input bits

V<sub>OS</sub> = The zero code error or offset of the DAC

V<sub>FS</sub> = The full-scale output voltage of the DAC measured when all bits are set to 1

**Resolution:** The resolution is the number of DAC output states (2<sup>n</sup>) that divide the full-scale range. The resolution does not imply linearity.

**INL:** End-point integral nonlinearity is the maximum deviation from a straight line passing through the end-points of the DAC transfer curve. Because the part operates from a single supply and the output cannot go below ground, the linearity is measured between full-scale and the first code that guarantees a positive output. The INL error at a given input code is calculated as follows:

$$INL = (V_{OUT} - V_{IDEAL})/LSB$$

$$V_{IDEAL} = (Code)(LSB) + V_{OS}$$

V<sub>OUT</sub> = The output voltage of the DAC measured at the given input code

**DNL:** Differential nonlinearity is the difference between the measured change and the ideal 1LSB change between any two adjacent codes. The DNL error between any two codes is calculated as follows:

$$DNL = (\Delta V_{OUT} - LSB)/LSB$$

ΔV<sub>OUT</sub> = The measured voltage difference between two adjacent codes

**Offset Error:** The theoretical voltage at the output when the DAC is loaded with all zeros. The output amplifier can have a true negative offset, but because the part is operated from a single supply, the output cannot go below ground. If the offset is negative, the output will remain near 0V resulting in the transfer curve shown in Figure 1.

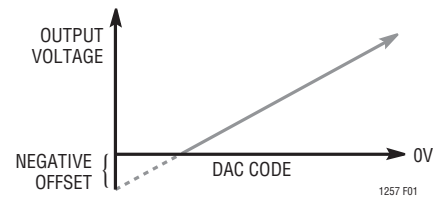


Figure 1. Effect of Negative Offset

The offset of the part is measured at the first code that produces an output voltage 0.5LSB greater than the previous code:

$$V_{OS} = V_{OUT} - [(Code)(V_{FS})/(2^n - 1)]$$

**Full-Scale Error:** Full-scale error is the difference between the ideal and measured DAC output voltages with all bits set to one (Code = 4095). The full-scale error includes the offset error and is calculated as follows:

$$FSE = (V_{OUT} - V_{IDEAL})/LSB$$

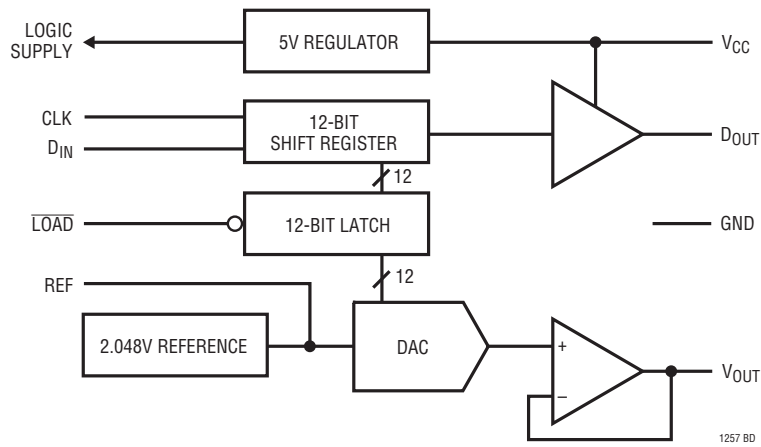
$$V_{IDEAL} = (V_{REF})(1 - 2^{-n}) - V_{OS}$$

V<sub>REF</sub> = The reference voltage, either internal or external

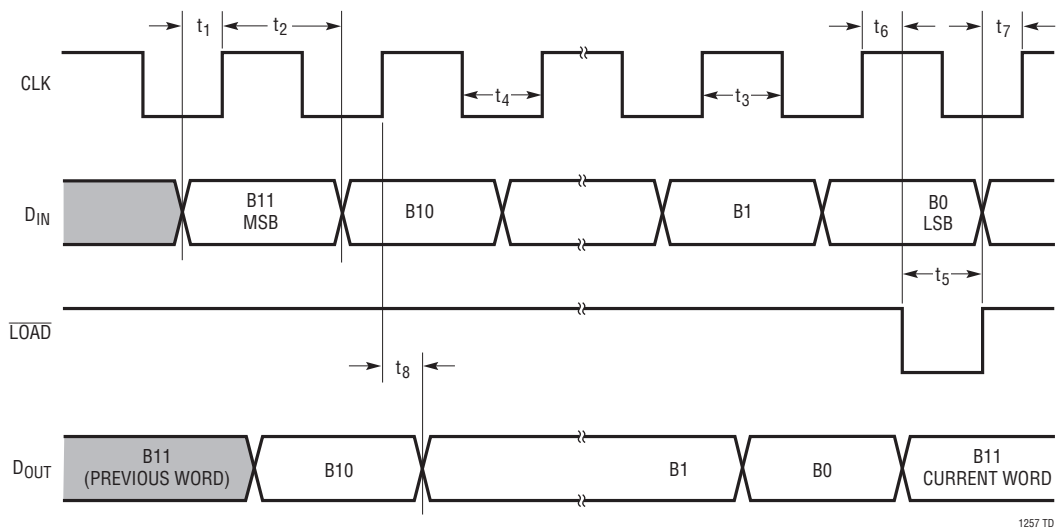
**Gain Error:** Gain error is the difference between the ideal and measured slope of the DAC transfer characteristic. Gain error is equal to full-scale error minus offset error.

**Digital Feedthrough:** The glitch that appears at the analog output caused by AC coupling from the digital inputs when they change state. The area of the glitch is specified in (nV)(sec).

## BLOCK DIAGRAM



## TIMING DIAGRAM



## OPERATION

### Serial Interface

The data on the  $D_{IN}$  input is loaded into the shift register on the rising edge of the clock. The MSB is loaded first and the LSB last. The DAC register loads the data from the shift register when  $\overline{LOAD}$  is pulled low, and remains transparent until  $\overline{LOAD}$  is pulled high and the data is latched.

An internal 5V regulator provides the supply for the digital logic. By limiting the internal digital signal swings to 5V, digital noise is reduced. The buffered output of the 12-bit shift register is available on the  $D_{OUT}$  pin which will swing from GND to  $V_{CC}$ .

Multiple LTC1257s may be daisy chained together by connecting the  $D_{OUT}$  pin to the  $D_{IN}$  pin of the next chip, while the clock and load signals remain common to all chips in the daisy chain. The serial data is clocked to all of the chips, then the  $\overline{LOAD}$  signal is pulled low to update all of them simultaneously. The maximum clocking rate is 1.4MHz.

### Reference

The LTC1257 includes an internal 2.048V reference, making 1LSB equal to  $500\mu\text{V}$ . The internal reference output is turned off when the pin is forced above the reference voltage, allowing an external reference to be connected to the reference pin. The external reference must be greater than 2.475V and less than  $V_{CC} - 2.7\text{V}$ , and be capable of driving the 10k minimum DAC resistor ladder.

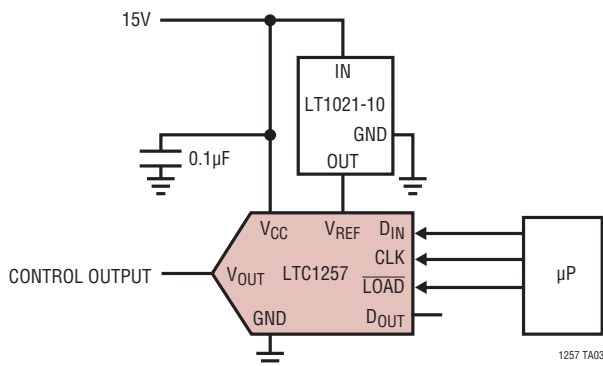
If the reference output is driving a large capacitive load, a series resistor must be added to insure stability. For any capacitive load greater than  $1\mu\text{F}$ , a  $10\Omega$  series resistor will suffice.

### Voltage Output

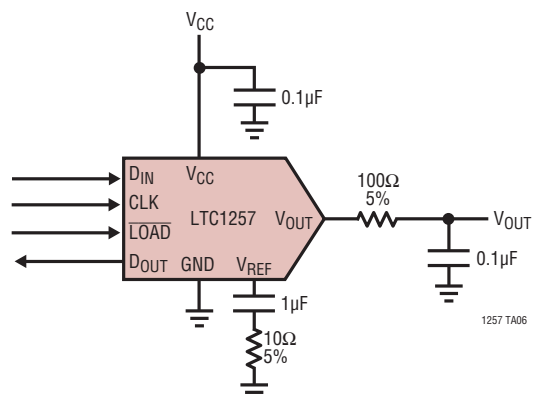
The LTC1257 voltage output is able to pull within 2.7V of  $V_{CC}$  while sourcing 2mA. A internal NMOS transistor with a  $200\Omega$  equivalent impedance pulls the output to ground. The output is protected against short circuits and is able to drive up to a 500pF capacitive load without oscillation. If digital noise on the output causes a problem, a simple  $100\Omega$ ,  $0.1\mu\text{F}$  RC circuit can be used to filter the noise.

## TYPICAL APPLICATIONS

DAC with External Reference



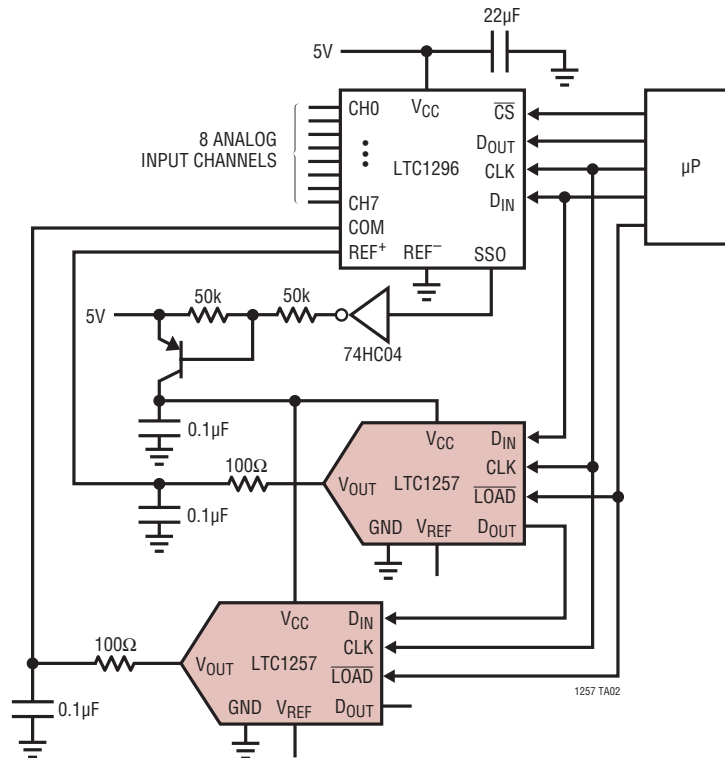
Filtering  $V_{REF}$  and  $V_{OUT}$



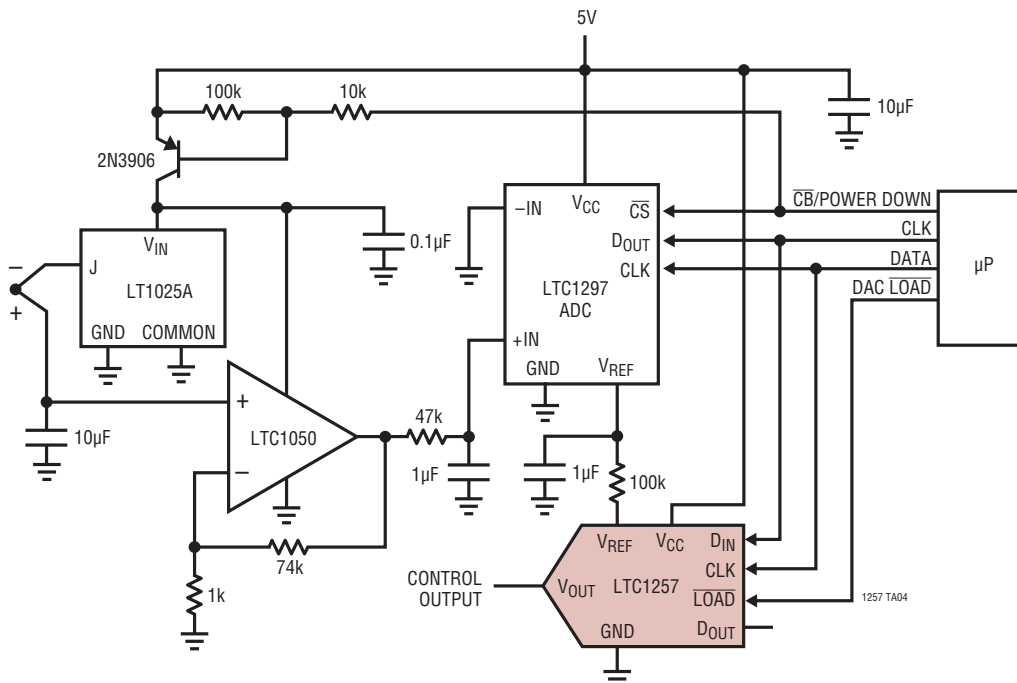


# TYPICAL APPLICATIONS

## Auto Ranging 8-Channel ADC with Shutdown



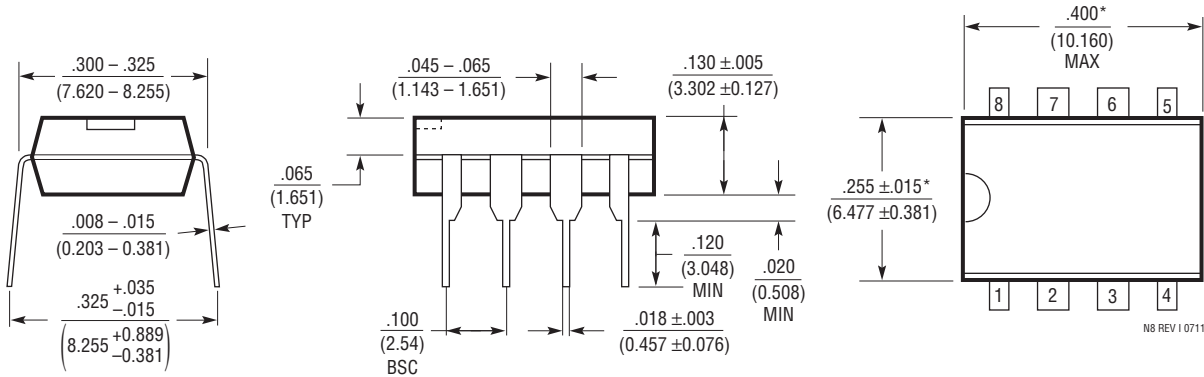
## 12-Bit Single 5V Control System with Shutdown



# PACKAGE DESCRIPTION

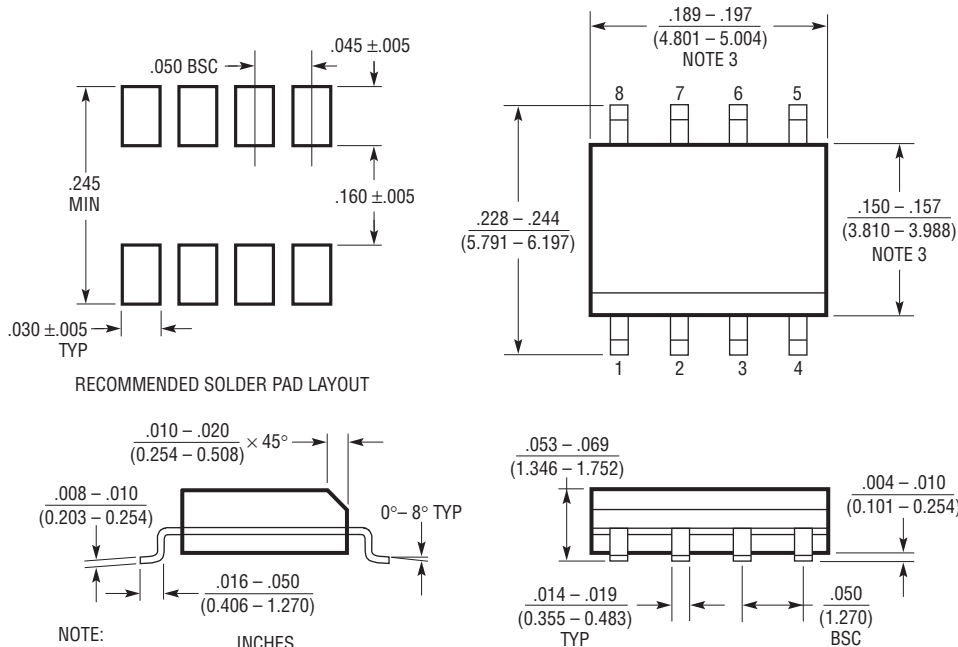
Please refer to <http://www.linear.com/designtools/packaging/> for the most recent package drawings.

## N Package 8-Lead PDIP (Narrow .300 Inch) (Reference LTC DWG # 05-08-1510 Rev I)



NOTE:  
1. DIMENSIONS ARE  $\frac{\text{INCHES}}{\text{MILLIMETERS}}$   
\*THESE DIMENSIONS DO NOT INCLUDE MOLD FLASH OR PROTRUSIONS.  
MOLD FLASH OR PROTRUSIONS SHALL NOT EXCEED .010 INCH (0.254mm)

## S8 Package 8-Lead Plastic Small Outline (Narrow .150 Inch) (Reference LTC DWG # 05-08-1610 Rev G)



NOTE:  
1. DIMENSIONS IN  $\frac{\text{INCHES}}{\text{MILLIMETERS}}$   
2. DRAWING NOT TO SCALE  
3. THESE DIMENSIONS DO NOT INCLUDE MOLD FLASH OR PROTRUSIONS.  
MOLD FLASH OR PROTRUSIONS SHALL NOT EXCEED .006" (0.15mm)  
4. PIN 1 CAN BE BEVEL EDGE OR A DIMPLE

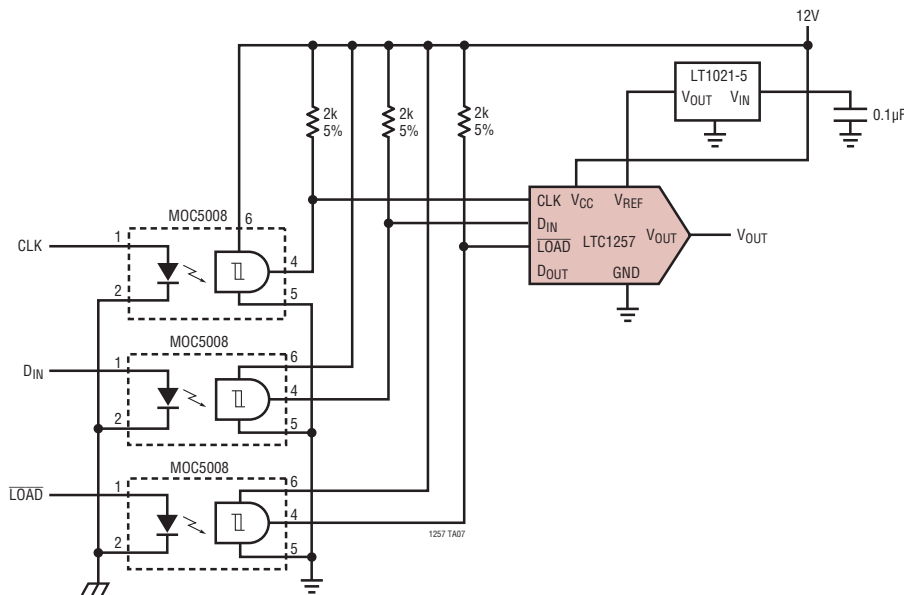
S08 REV G 0212

**REVISION HISTORY** (Revision history begins at Rev C)

REV	DATE	DESCRIPTION	PAGE NUMBER
C	12/12	Removed MAX Voltage Output Settling Time value in Electrical Characteristics section	3

## TYPICAL APPLICATION

## Driving LTC1257 with Opto-Isolators



## RELATED PARTS

PART NUMBER	DESCRIPTION	COMMENTS
<b>12 Bit</b>		
LTC1446/LTC1446L	Dual 12-Bit $V_{OUT}$ DACs in SO-8 Package	LTC1446: $V_{CC} = 4.5V$ to $5.5V$ , $V_{OUT} = 0V$ to $4.095V$ LTC1446L: $V_{CC} = 2.7V$ to $5.5V$ , $V_{OUT} = 0V$ to $2.5V$
LTC1448	Dual 12-Bit $V_{OUT}$ DAC in SO-8 Package, $V_{CC} = 2.7V$ to $5.5V$	Output Swings from GND to REF, REF Input Can Be Tied to $V_{CC}$
LTC1450/LTC1450L	Single 12-Bit $V_{OUT}$ DACs with Parallel Interface	LTC1450: $V_{CC} = 4.5V$ to $5.5V$ , $V_{OUT} = 0V$ to $4.095V$ LTC1450L: $V_{CC} = 2.7V$ to $5.5V$ , $V_{OUT} = 0V$ to $2.5V$
LTC1451	Single Rail-to-Rail 12-Bit $V_{OUT}$ DAC, Full Scale: $4.095V$ , $V_{CC} = 4.5V$ to $5.5V$ , Internal $2.048V$ Reference Brought Out to Pin	Low Power, Complete $V_{OUT}$ DAC in SO-8 Package
LTC1452	Single Rail-to-Rail 12-Bit $V_{OUT}$ Multiplying DAC, $V_{CC} = 2.7V$ to $5.5V$	Low Power, Multiplying $V_{OUT}$ DAC with Rail-to-Rail Buffer Amplifier in SO-8 Package
LTC1453	Single Rail-to-Rail 12-Bit $V_{OUT}$ DAC, Full Scale: $2.5V$ , $V_{CC} = 2.7V$ to $5.5V$	$3V$ , Low Power, Complete $V_{OUT}$ DAC in SO-8 Package
LTC1454/LTC1454L	Dual 12-Bit $V_{OUT}$ DACs in SO-16 Package with Added Functionality	LTC1454: $V_{CC} = 4.5V$ to $5.5V$ , $V_{OUT} = 0V$ to $4.095V$ LTC1454L: $V_{CC} = 2.7V$ to $5.5V$ , $V_{OUT} = 0V$ to $2.5V$
LTC1456	Single Rail-to-Rail Output 12-Bit DAC with Clear Pin, Full Scale: $4.095V$ , $V_{CC} = 4.5V$ to $5.5V$	Low Power, Complete $V_{OUT}$ DAC in SO-8 Package with Clear Pin
LTC1458/LTC1458L	Quad 12 Bit Rail-to-Rail Output DACs with Added Functionality	LTC1458: $V_{CC} = 4.5V$ to $5.5V$ , $V_{OUT} = 0V$ to $4.095V$ LTC1458L: $V_{CC} = 2.7V$ to $5.5V$ , $V_{OUT} = 0V$ to $2.5V$
LTC1659	Single Rail-to-Rail 12-Bit $V_{OUT}$ DAC in MSOP-8 Package, $V_{CC} = 2.7V$ to $5.5V$	Output Swings from GND to REF, REF Input Can Be Tied to $V_{CC}$
<b>14 Bit</b>		
LTC1658	14-Bit Rail-to-Rail Micropower DAC in MSOP, $V_{CC} = 2.7V$ to $5.5V$	Output Swings from GND to REF, REF Input Can Be Tied to $V_{CC}$
LTC1654	Dual 14-Bit $V_{OUT}$ DAC	Programmable Speed/Power, SO-8 Footprint
<b>16 Bit</b>		
LTC1655(L)	Single 16-Bit $V_{OUT}$ DAC with Serial Interface in SO-8	$V_{CC} = 5V$ ( $3V$ ), Low Power, Deglitched, $V_{OUT} = 0V$ to $4.096V$ ( $0V$ to $2.5V$ )

1257fc

## X-ON Electronics

Largest Supplier of Electrical and Electronic Components

*Click to view similar products for [Digital to Analog Converters - DAC category](#):*

*Click to view products by [Analog Devices manufacturer](#):*

Other Similar products are found below :

[5962-8871903MYA](#) [5962-8876601LA](#) [AD5311BRMZ-REEL7](#) [AD664AJ](#) [AD7534JPZ](#) [TCC-103A-RT](#) [057536E](#) [5962-89657023A](#)  
[702423BB](#) [TCC-202A-RT](#) [AD664BE](#) [TCC-303A-RT](#) [TCC-206A-RT](#) [AD5770RBCBZ-RL7](#) [DAC8229FSZ-REEL](#) [AD5673RBCPZ-2](#)  
[MCP48FVB24-20E/ST](#) [MCP48FVB28-E/MQ](#) [MCP48FEB18-20E/ST](#) [MCP48FEB18-E/MQ](#) [MCP48FEB24-E/MQ](#) [MCP48FEB28T-20E/ST](#)  
[MCP47FVB04T-E/MQ](#) [MCP48FEB28T-E/MQ](#) [MCP48FVB28T-20E/ST](#) [MCP47FVB28T-20E/ST](#) [MCP47FEB24T-E/MQ](#) [MCP48FVB24T-](#)  
[E/MQ](#) [MCP48FVB18T-20E/ST](#) [MCP47FEB14T-E/MQ](#) [MCP48FVB14T-20E/ST](#) [MCP48FEB08T-E/MQ](#) [MCP47FEB08T-E/MQ](#)  
[MCP48FVB08T-20E/ST](#) [MCP48FEB04T-20E/ST](#) [MCP47FEB04T-E/MQ](#) [MCP48FVB04T-20E/ST](#) [MCP47FVB04T-20E/ST](#) [AD7524JRZ-](#)  
[REEL](#) [LTC1664CGN](#) [LTC1664IGN](#) [LTC7545ACSW](#) [MCP47DA1T-A1E/OT](#) [MCP4921-E/MC](#) [UC3910D](#) [DAC39J84IAAV](#)  
[DAC8218SPAG](#) [DAC8562TDGSR](#) [MAX551ACUB+](#) [MAX545BCPD+](#)