

Buffered Dual, 16-Bit, 550ksps/Ch  
Differential  $\pm 10.24V$  ADC with  
 $30V_{P-P}$  Common Mode Range

**FEATURES**

- Simultaneous Sampling of 2 Buffered Channels
- 550ksps per Channel Throughput
- 500pA/12nA Max Input Leakage at 85°C/125°C
- $\pm 1LSB$  INL (Maximum,  $\pm 10.24V$  Range)
- Guaranteed 16-Bit, No Missing Codes
- Differential, Wide Common Mode Range Inputs
- Per-Channel SoftSpan Input Ranges:  
 $\pm 10.24V$ ,  $0V$  to  $10.24V$ ,  $\pm 5.12V$ ,  $0V$  to  $5.12V$   
 $\pm 12.5V$ ,  $0V$  to  $12.5V$ ,  $\pm 6.25V$ ,  $0V$  to  $6.25V$
- 94.2dB Single-Conversion SNR (Typical)
- $-110dB$  THD (Typical) at  $f_{IN} = 2kHz$
- 124dB CMRR (Typical) at  $f_{IN} = 200Hz$
- Rail-to-Rail Input Overdrive Tolerance
- Integrated Reference and Buffer (4.096V)
- SPI CMOS (1.8V to 5V) and LVDS Serial I/O
- Internal Conversion Clock, No Cycle Latency
- 162mW Power Dissipation (Typical)
- 48-Lead (7mm x 7mm) LQFP Package

**APPLICATIONS**

- Programmable Logic Controllers
- Industrial Process Control
- Power Line Monitoring
- Test and Measurement

**DESCRIPTION**

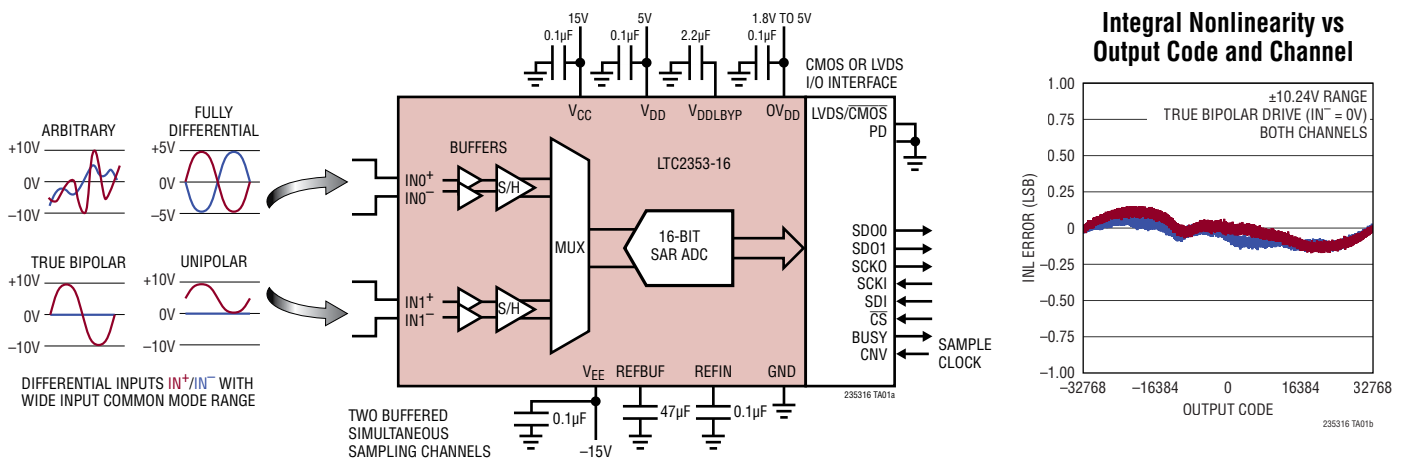
The LTC<sup>®</sup>2353-16 is a 16-bit, low noise 2-channel simultaneous sampling successive approximation register (SAR) ADC with buffered differential, wide common mode range picoamp inputs. Operating from a 5V low voltage supply, flexible high voltage supplies, and using the internal reference and buffer, both channels of this SoftSpan<sup>™</sup> ADC can be independently configured on a conversion-by-conversion basis to accept  $\pm 10.24V$ ,  $0V$  to  $10.24V$ ,  $\pm 5.12V$ , or  $0V$  to  $5.12V$  signals. One channel may also be disabled to increase throughput on the other channel.

The integrated picoamp-input analog buffers, wide input common mode range and 124dB CMRR of the LTC2353-16 allow the ADC to directly digitize a variety of signals using minimal board space and power. This input signal flexibility, combined with  $\pm 1LSB$  INL, no missing codes at 16 bits, and 94.2dB SNR, makes the LTC2353-16 an ideal choice for many high voltage applications requiring wide dynamic range.

The LTC2353-16 supports pin-selectable SPI CMOS (1.8V to 5V) and LVDS serial interfaces. Either one or two lanes of data output may be employed in CMOS mode, allowing the user to optimize bus width and throughput.

All registered trademarks and trademarks are the property of their respective owners. Protected by U.S. Patents, including 7705765, 7961132, 8319673, 9197235.

**TYPICAL APPLICATION**



235316f

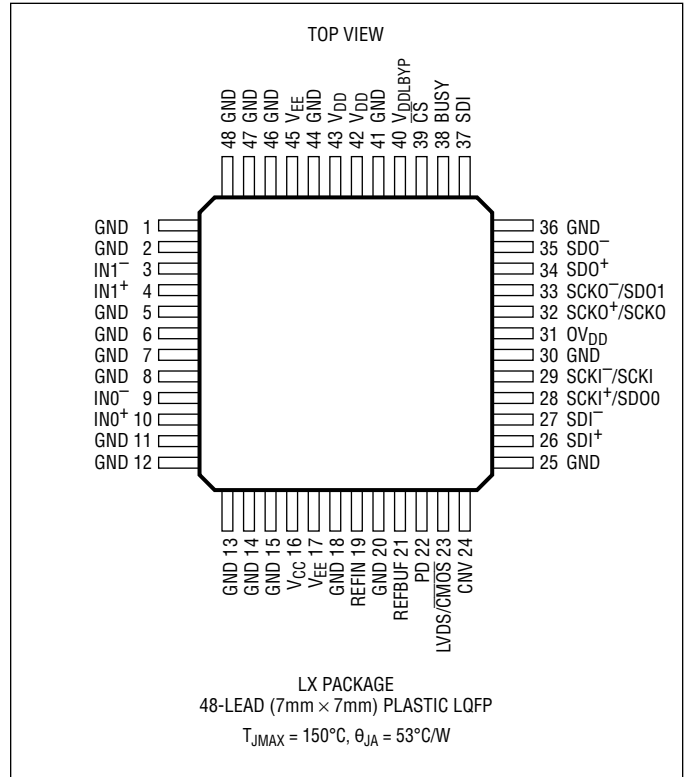
# LTC2353-16

## ABSOLUTE MAXIMUM RATINGS

(Notes 1, 2)

Supply Voltage ( $V_{CC}$ ) .....	-0.3V to ( $V_{EE} + 40V$ )
Supply Voltage ( $V_{EE}$ ).....	-17.4V to 0.3V
Supply Voltage Difference ( $V_{CC} - V_{EE}$ ).....	40V
Supply Voltage ( $V_{DD}$ ) .....	6V
Supply Voltage ( $OV_{DD}$ ).....	6V
Internal Regulated Supply Bypass ( $V_{DDLBY}$ ) ... (Note 3)	
Analog Input Voltage	
$INO^+$ , $IN1^+$ ,	
$INO^-$ , $IN1^-$ (Note 4) .....	( $V_{EE} - 0.3V$ ) to ( $V_{CC} + 0.3V$ )
REFIN.....	-0.3V to 2.8V
REFBUF, CNV (Note 5) .....	-0.3V to ( $V_{DD} + 0.3V$ )
Digital Input Voltage (Note 5).....	-0.3V to ( $OV_{DD} + 0.3V$ )
Digital Output Voltage (Note 5) ..	-0.3V to ( $OV_{DD} + 0.3V$ )
Power Dissipation .....	500mW
Operating Temperature Range	
LTC2353C .....	0°C to 70°C
LTC2353I .....	-40°C to 85°C
LTC2353H.....	-40°C to 125°C
Storage Temperature Range .....	-65°C to 150°C

## PIN CONFIGURATION



## ORDER INFORMATION

<http://www.linear.com/product/LTC2353-16#orderinfo>

TRAY	PART MARKING*	PACKAGE DESCRIPTION	TEMPERATURE RANGE
LTC2353CLX-16#PBF	LTC2353LX-16	48-Lead (7mm × 7mm) Plastic LQFP	0°C to 70°C
LTC2353ILX-16#PBF	LTC2353LX-16	48-Lead (7mm × 7mm) Plastic LQFP	-40°C to 85°C
LTC2353HLX-16#PBF	LTC2353LX-16	48-Lead (7mm × 7mm) Plastic LQFP	-40°C to 125°C

Consult ADI Marketing for parts specified with wider operating temperature ranges. \*The temperature grade is identified by a label on the shipping container. For more information on lead free part marking, go to: <http://www.linear.com/leadfree/>

## ELECTRICAL CHARACTERISTICS

The ● denotes the specifications which apply over the full operating temperature range, otherwise specifications are at  $T_A = 25^\circ\text{C}$ . (Note 6)

SYMBOL	PARAMETER	CONDITIONS	MIN	TYP	MAX	UNITS
$V_{IN+}$	Absolute Input Range (IN0+, IN1+)	(Note 7)	●	$V_{EE} + 4$	$V_{CC} - 4$	V
$V_{IN-}$	Absolute Input Range (IN0-, IN1-)	(Note 7)	●	$V_{EE} + 4$	$V_{CC} - 4$	V
$V_{IN+} - V_{IN-}$	Input Differential Voltage Range	SoftSpan 7: $\pm 2.5 \cdot V_{REFBUF}$ Range (Note 7) SoftSpan 6: $\pm 2.5 \cdot V_{REFBUF}/1.024$ Range (Note 7) SoftSpan 5: 0V to $2.5 \cdot V_{REFBUF}$ Range (Note 7) SoftSpan 4: 0V to $2.5 \cdot V_{REFBUF}/1.024$ Range (Note 7) SoftSpan 3: $\pm 1.25 \cdot V_{REFBUF}$ Range (Note 7) SoftSpan 2: $\pm 1.25 \cdot V_{REFBUF}/1.024$ Range (Note 7) SoftSpan 1: 0V to $1.25 \cdot V_{REFBUF}$ Range (Note 7)	● ● ● ● ● ● ●	$-2.5 \cdot V_{REFBUF}$ $-2.5 \cdot V_{REFBUF}/1.024$ 0 0 $-1.25 \cdot V_{REFBUF}$ $-1.25 \cdot V_{REFBUF}/1.024$ 0	$2.5 \cdot V_{REFBUF}$ $2.5 \cdot V_{REFBUF}/1.024$ $2.5 \cdot V_{REFBUF}$ $2.5 \cdot V_{REFBUF}/1.024$ $1.25 \cdot V_{REFBUF}$ $1.25 \cdot V_{REFBUF}/1.024$ $1.25 \cdot V_{REFBUF}$	V V V V V V V
$V_{CM}$	Input Common Mode Voltage Range	(Note 7)	●	$V_{EE} + 4$	$V_{CC} - 4$	V
$V_{IN+} - V_{IN-}$	Input Differential Overdrive Tolerance	(Note 8)	●	$-(V_{CC} - V_{EE})$	$(V_{CC} - V_{EE})$	V
$I_{OVERDRIVE}$	Input Overdrive Current Tolerance	$V_{IN+} > V_{CC}$ , $V_{IN-} > V_{CC}$ (Note 8) $V_{IN+} < V_{EE}$ , $V_{IN-} < V_{EE}$ (Note 8)	● ●	0	10	mA mA
$I_{IN}$	Analog Input Leakage Current	C-Grade and I-Grade H-Grade	● ●	5	500 12	pA pA nA
$I_{IN+} - I_{IN-}$	Analog Input Leakage Offset Current	$V_{IN+} = V_{IN-}$ $V_{IN+} = V_{IN-}$ , C-Grade and I-Grade $V_{IN+} = V_{IN-}$ , H-Grade	● ●	$\pm 1$	100 1.2	pA pA nA
$R_{IN}$	Analog Input Resistance	For Each Pin		>1000		G $\Omega$
$C_{IN}$	Analog Input Capacitance			3		pF
CMRR	Input Common Mode Rejection Ratio	$V_{IN+} = V_{IN-} = 18V_{P-P}$ 200Hz Sine	●	102	124	dB
$V_{IHCNV}$	CNV High Level Input Voltage		●	1.3		V
$V_{ILCNV}$	CNV Low Level Input Voltage		●		0.5	V
$I_{INCNV}$	CNV Input Current	$V_{IN} = 0V$ to $V_{DD}$	●	-10	10	$\mu\text{A}$

## CONVERTER CHARACTERISTICS

The ● denotes the specifications which apply over the full operating temperature range, otherwise specifications are at  $T_A = 25^\circ\text{C}$ . (Note 9)

SYMBOL	PARAMETER	CONDITIONS	MIN	TYP	MAX	UNITS	
	Resolution	●	16			Bits	
	No Missing Codes	●	16			Bits	
	Transition Noise	SoftSpans 7 and 6: $\pm 10.24\text{V}$ and $\pm 10\text{V}$ Ranges SoftSpans 5 and 4: $0\text{V}$ to $10.24\text{V}$ and $0\text{V}$ to $10\text{V}$ Ranges SoftSpans 3 and 2: $\pm 5.12\text{V}$ and $\pm 5\text{V}$ Ranges SoftSpan 1: $0\text{V}$ to $5.12\text{V}$ Range		0.35 0.7 0.5 1.1		$\text{LSB}_{\text{RMS}}$ $\text{LSB}_{\text{RMS}}$ $\text{LSB}_{\text{RMS}}$ $\text{LSB}_{\text{RMS}}$	
INL	Integral Linearity Error	SoftSpans 7 and 6: $\pm 10.24\text{V}$ and $\pm 10\text{V}$ Ranges (Note 10) SoftSpans 5 and 4: $0\text{V}$ to $10.24\text{V}$ and $0\text{V}$ to $10\text{V}$ Ranges (Note 10) SoftSpans 3 and 2: $\pm 5.12\text{V}$ and $\pm 5\text{V}$ Ranges (Note 10) SoftSpan 1: $0\text{V}$ to $5.12\text{V}$ Range (Note 10)	● ● ● ●	-1 -1.25 -1 -1.5	$\pm 0.3$ $\pm 0.4$ $\pm 0.3$ $\pm 0.4$	1 1.25 1 1.5	LSB LSB LSB LSB
DNL	Differential Linearity Error	(Note 11)	●	-0.9	$\pm 0.1$	0.9	LSB
ZSE	Zero-Scale Error	(Note 12)	●	-700	$\pm 160$	700	$\mu\text{V}$
	Zero-Scale Error Drift			$\pm 4$			$\mu\text{V}/^\circ\text{C}$
FSE	Full-Scale Error	$V_{\text{REFBUF}} = 4.096\text{V}$ (REFBUF Overdriven) (Note 12)	●	-0.07	$\pm 0.025$	0.07	%FS
	Full-Scale Error Drift	$V_{\text{REFBUF}} = 4.096\text{V}$ (REFBUF Overdriven) (Note 12)			$\pm 2.5$		$\text{ppm}/^\circ\text{C}$

## DYNAMIC ACCURACY

The ● denotes the specifications which apply over the full operating temperature range, otherwise specifications are at  $T_A = 25^\circ\text{C}$ .  $A_{\text{IN}} = -1\text{dBFS}$ . (Notes 9, 13)

SYMBOL	PARAMETER	CONDITIONS	MIN	TYP	MAX	UNITS	
SINAD	Signal-to-(Noise + Distortion) Ratio	SoftSpans 7 and 6: $\pm 10.24\text{V}$ and $\pm 10\text{V}$ Ranges, $f_{\text{IN}} = 2\text{kHz}$ SoftSpans 5 and 4: $0\text{V}$ to $10.24\text{V}$ and $0\text{V}$ to $10\text{V}$ Ranges, $f_{\text{IN}} = 2\text{kHz}$ SoftSpans 3 and 2: $\pm 5.12\text{V}$ and $\pm 5\text{V}$ Ranges, $f_{\text{IN}} = 2\text{kHz}$ SoftSpan 1: $0\text{V}$ to $5.12\text{V}$ Range, $f_{\text{IN}} = 2\text{kHz}$	● ● ● ●	91.2 86.4 88.8 83.5	94.1 89.6 91.6 86.5	dB dB dB dB	
SNR	Signal-to-Noise Ratio	SoftSpans 7 and 6: $\pm 10.24\text{V}$ and $\pm 10\text{V}$ Ranges, $f_{\text{IN}} = 2\text{kHz}$ SoftSpans 5 and 4: $0\text{V}$ to $10.24\text{V}$ and $0\text{V}$ to $10\text{V}$ Ranges, $f_{\text{IN}} = 2\text{kHz}$ SoftSpans 3 and 2: $\pm 5.12\text{V}$ and $\pm 5\text{V}$ Ranges, $f_{\text{IN}} = 2\text{kHz}$ SoftSpan 1: $0\text{V}$ to $5.12\text{V}$ Range, $f_{\text{IN}} = 2\text{kHz}$	● ● ● ●	91.3 86.5 88.9 83.5	94.2 89.7 91.6 86.5	dB dB dB dB	
THD	Total Harmonic Distortion	SoftSpans 7 and 6: $\pm 10.24\text{V}$ and $\pm 10\text{V}$ Ranges, $f_{\text{IN}} = 2\text{kHz}$ SoftSpans 5 and 4: $0\text{V}$ to $10.24\text{V}$ and $0\text{V}$ to $10\text{V}$ Ranges, $f_{\text{IN}} = 2\text{kHz}$ SoftSpans 3 and 2: $\pm 5.12\text{V}$ and $\pm 5\text{V}$ Ranges, $f_{\text{IN}} = 2\text{kHz}$ SoftSpan 1: $0\text{V}$ to $5.12\text{V}$ Range, $f_{\text{IN}} = 2\text{kHz}$	● ● ● ●		-110 -110 -113 -114	-101 -99 -101 -99	dB dB dB dB
SFDR	Spurious Free Dynamic Range	SoftSpans 7 and 6: $\pm 10.24\text{V}$ and $\pm 10\text{V}$ Ranges, $f_{\text{IN}} = 2\text{kHz}$ SoftSpans 5 and 4: $0\text{V}$ to $10.24\text{V}$ and $0\text{V}$ to $10\text{V}$ Ranges, $f_{\text{IN}} = 2\text{kHz}$ SoftSpans 3 and 2: $\pm 5.12\text{V}$ and $\pm 5\text{V}$ Ranges, $f_{\text{IN}} = 2\text{kHz}$ SoftSpan 1: $0\text{V}$ to $5.12\text{V}$ Range, $f_{\text{IN}} = 2\text{kHz}$	● ● ● ●	101 99 102 99	112 111 113 114	dB dB dB dB	
	Channel-to-Channel Crosstalk	One Channel Converting $18\text{V}_{\text{P-P}}$ $200\text{Hz}$ Sine in $\pm 10.24\text{V}$ Range, Crosstalk to Other Channel			-118	dB	
	-3dB Input Bandwidth			6		MHz	
	Aperture Delay			1		ns	
	Aperture Delay Matching			150		ps	
	Aperture Jitter			3		$\text{ps}_{\text{RMS}}$	
	Transient Response	Full-Scale Step, 0.005% Settling		420		ns	

## INTERNAL REFERENCE CHARACTERISTICS

The ● denotes the specifications which apply over the full operating temperature range, otherwise specifications are at  $T_A = 25^\circ\text{C}$ . (Note 9)

SYMBOL	PARAMETER	CONDITIONS	MIN	TYP	MAX	UNITS
$V_{\text{REFIN}}$	Internal Reference Output Voltage		2.043	2.048	2.053	V
	Internal Reference Temperature Coefficient	(Note 14)	●	5	20	ppm/ $^\circ\text{C}$
	Internal Reference Line Regulation	$V_{\text{DD}} = 4.75\text{V}$ to $5.25\text{V}$		0.1		mV/V
	Internal Reference Output Impedance			20		k $\Omega$
$V_{\text{REFIN}}$	REFIN Voltage Range	REFIN Overdriven (Note 7)	1.25		2.2	V

## REFERENCE BUFFER CHARACTERISTICS

The ● denotes the specifications which apply over the full operating temperature range, otherwise specifications are at  $T_A = 25^\circ\text{C}$ . (Note 9)

SYMBOL	PARAMETER	CONDITIONS	MIN	TYP	MAX	UNITS	
$V_{\text{REFBUF}}$	Reference Buffer Output Voltage	REFIN Overdriven, $V_{\text{REFIN}} = 2.048\text{V}$	●	4.091	4.096	4.101	V
	REFBUF Voltage Range	REFBUF Overdriven (Notes 7, 15)	●	2.5	5	V	
	REFBUF Input Impedance	$V_{\text{REFIN}} = 0\text{V}$ , Buffer Disabled		13		k $\Omega$	
$I_{\text{REFBUF}}$	REFBUF Load Current	$V_{\text{REFBUF}} = 5\text{V}$ , 2 Channels Enabled (Notes 15, 16) $V_{\text{REFBUF}} = 5\text{V}$ , Acquisition or Nap Mode (Note 15)	●	1.2	1.3	mA	
				0.36		mA	

## DIGITAL INPUTS AND DIGITAL OUTPUTS

The ● denotes the specifications which apply over the full operating temperature range, otherwise specifications are at  $T_A = 25^\circ\text{C}$ . (Note 9)

SYMBOL	PARAMETER	CONDITIONS	MIN	TYP	MAX	UNITS	
<b>CMOS Digital Inputs and Outputs</b>							
$V_{\text{IH}}$	High Level Input Voltage		●	$0.8 \cdot OV_{\text{DD}}$		V	
$V_{\text{IL}}$	Low Level Input Voltage		●		$0.2 \cdot OV_{\text{DD}}$	V	
$I_{\text{IN}}$	Digital Input Current	$V_{\text{IN}} = 0\text{V}$ to $OV_{\text{DD}}$	●	-10	10	$\mu\text{A}$	
$C_{\text{IN}}$	Digital Input Capacitance			5		pF	
$V_{\text{OH}}$	High Level Output Voltage	$I_{\text{OUT}} = -500\mu\text{A}$	●	$OV_{\text{DD}} - 0.2$		V	
$V_{\text{OL}}$	Low Level Output Voltage	$I_{\text{OUT}} = 500\mu\text{A}$	●		0.2	V	
$I_{\text{OZ}}$	Hi-Z Output Leakage Current	$V_{\text{OUT}} = 0\text{V}$ to $OV_{\text{DD}}$	●	-10	10	$\mu\text{A}$	
$I_{\text{SOURCE}}$	Output Source Current	$V_{\text{OUT}} = 0\text{V}$		-50		mA	
$I_{\text{SINK}}$	Output Sink Current	$V_{\text{OUT}} = OV_{\text{DD}}$		50		mA	
<b>LVDS Digital Inputs and Outputs</b>							
$V_{\text{ID}}$	Differential Input Voltage		●	200	350	600	mV
$R_{\text{ID}}$	On-Chip Input Termination Resistance	$\overline{\text{CS}} = 0\text{V}$ , $V_{\text{ICM}} = 1.2\text{V}$ $\overline{\text{CS}} = OV_{\text{DD}}$	●	90	106	125	$\Omega$ M $\Omega$
$V_{\text{ICM}}$	Common-Mode Input Voltage		●	0.3	1.2	2.2	V
$I_{\text{ICM}}$	Common-Mode Input Current	$V_{\text{IN}+} = V_{\text{IN}-} = 0\text{V}$ to $OV_{\text{DD}}$	●	-10	10	$\mu\text{A}$	
$V_{\text{OD}}$	Differential Output Voltage	$R_{\text{L}} = 100\Omega$ Differential Termination	●	275	350	425	mV
$V_{\text{OCM}}$	Common-Mode Output Voltage	$R_{\text{L}} = 100\Omega$ Differential Termination	●	1.1	1.2	1.3	V
$I_{\text{OZ}}$	Hi-Z Output Leakage Current	$V_{\text{OUT}} = 0\text{V}$ to $OV_{\text{DD}}$	●	-10	10	$\mu\text{A}$	

## POWER REQUIREMENTS

The ● denotes the specifications which apply over the full operating temperature range, otherwise specifications are at  $T_A = 25^\circ\text{C}$ . (Note 9)

SYMBOL	PARAMETER	CONDITIONS		MIN	TYP	MAX	UNITS
$V_{CC}$	Supply Voltage		●	7.5		38	V
$V_{EE}$	Supply Voltage		●	-16.5		0	V
$V_{CC} - V_{EE}$	Supply Voltage Difference		●	10		38	V
$V_{DD}$	Supply Voltage		●	4.75	5.00	5.25	V
$I_{VCC}$	Supply Current	550ksps Sample Rate, 2 Channels Enabled (Note 17)	●		3.2	3.9	mA
		Acquisition Mode (Note 17)	●		4.9	5.9	mA
		Nap Mode	●		0.9	1.1	mA
		Power Down Mode	●		6	15	$\mu\text{A}$
$I_{VEE}$	Supply Current	550ksps Sample Rate, 2 Channels Enabled (Note 17)	●	-4.1	-3.2		mA
		Acquisition Mode (Note 17)	●	-6.1	-4.7		mA
		Nap Mode	●	-1.2	-0.8		mA
		Power Down Mode	●	-15	-4		$\mu\text{A}$

### CMOS I/O Mode

$OV_{DD}$	Supply Voltage		●	1.71		5.25	V
$I_{VDD}$	Supply Current	550ksps Sample Rate, 2 Channels Enabled	●		12.4	14.0	mA
		550ksps Sample Rate, 2 Channels Enabled, $V_{REFBUF} = 5\text{V}$ (Note 15)	●		11.2	12.7	mA
		Acquisition Mode	●		1.8	2.6	mA
		Nap Mode	●		1.6	2.4	mA
		Power Down Mode (C-Grade and I-Grade)	●		89	300	$\mu\text{A}$
	Power Down Mode (H-Grade)	●		89	750	$\mu\text{A}$	
$IOVDD$	Supply Current	550ksps Sample Rate, 2 Channels Enabled ( $C_L = 25\text{pF}$ )	●		1.6	2.7	mA
		Acquisition or Nap Mode	●		1	20	$\mu\text{A}$
		Power Down Mode	●		1	20	$\mu\text{A}$
$P_D$	Power Dissipation	550ksps Sample Rate, 2 Channels Enabled	●		162	195	mW
		Acquisition Mode	●		153	193	mW
		Nap Mode	●		34	47	mW
		Power Down Mode (C-Grade and I-Grade)	●		0.60	2	mW
		Power Down Mode (H-Grade)	●		0.60	4.3	mW

### LVDS I/O Mode

$OV_{DD}$	Supply Voltage		●	2.375		5.25	V
$I_{VDD}$	Supply Current	550ksps Sample Rate, 2 Channels Enabled	●		14.4	16.1	mA
		550ksps Sample Rate, 2 Channels Enabled, $V_{REFBUF} = 5\text{V}$ (Note 15)	●		13.2	14.9	mA
		Acquisition Mode	●		3.5	4.4	mA
		Nap Mode	●		3.3	4.2	mA
		Power Down Mode (C-Grade and I-Grade)	●		89	300	$\mu\text{A}$
	Power Down Mode (H-Grade)	●		89	750	$\mu\text{A}$	
$IOVDD$	Supply Current	550ksps Sample Rate, 2 Channels Enabled ( $R_L = 100\Omega$ )	●		7.4	8.6	mA
		Acquisition or Nap Mode ( $R_L = 100\Omega$ )	●		7	8.2	mA
		Power Down Mode	●		1	20	$\mu\text{A}$
$P_D$	Power Dissipation	550ksps Sample Rate, 2 Channels Enabled	●		187	221	mW
		Acquisition Mode	●		179	223	mW
		Nap Mode	●		60	76	mW
		Power Down Mode (C-Grade and I-Grade)	●		0.60	2	mW
		Power Down Mode (H-Grade)	●		0.60	4.3	mW



## ADC TIMING CHARACTERISTICS

**Note 1:** Stresses beyond those listed under Absolute Maximum Ratings may cause permanent damage to the device. Exposure to any Absolute Maximum Rating condition for extended periods may affect device reliability and lifetime.

**Note 2:** All voltage values are with respect to GND.

**Note 3:**  $V_{DDLBY}$  is the output of an internal voltage regulator, and should only be connected to a 2.2 $\mu$ F ceramic capacitor to bypass the pin to GND, as described in the Pin Functions section. Do not connect this pin to any external circuitry.

**Note 4:** When these pin voltages are taken below  $V_{EE}$  or above  $V_{CC}$ , they will be clamped by internal diodes. This product can handle input currents of up to 100mA below  $V_{EE}$  or above  $V_{CC}$  without latchup.

**Note 5:** When these pin voltages are taken below GND or above  $V_{DD}$  or  $OV_{DD}$ , they will be clamped by internal diodes. This product can handle currents of up to 100mA below GND or above  $V_{DD}$  or  $OV_{DD}$  without latchup.

**Note 6:**  $-16.5V \leq V_{EE} \leq 0V$ ,  $7.5V \leq V_{CC} \leq 38V$ ,  $10V \leq (V_{CC} - V_{EE}) \leq 38V$ ,  $V_{DD} = 5V$ , unless otherwise specified.

**Note 7:** Recommended operating conditions.

**Note 8:** Exceeding these limits on one channel may corrupt conversion results on the other channel. Driving an analog input above  $V_{CC}$  on any channel up to 10mA will not affect conversion results on other channels. Driving an analog input below  $V_{EE}$  may corrupt conversion results on other channels. Refer to Applications Information section for further details. Refer to Absolute Maximum Ratings section for pin voltage limits related to device reliability.

**Note 9:**  $V_{CC} = 15V$ ,  $V_{EE} = -15V$ ,  $V_{DD} = 5V$ ,  $OV_{DD} = 2.5V$ ,  $f_{SAMPL} = 550ksps$ , internal reference and buffer, true bipolar input signal drive in bipolar SoftSpan ranges, unipolar signal drive in unipolar SoftSpan ranges, unless otherwise specified.

**Note 10:** Integral nonlinearity is defined as the deviation of a code from a straight line passing through the actual endpoints of the transfer curve. The deviation is measured from the center of the quantization band.

**Note 11:** Guaranteed by design, not subject to test.

**Note 12:** For bipolar SoftSpan ranges 7, 6, 3, and 2, zero-scale error is the offset voltage measured from  $-0.5LSB$  when the output code flickers between 0000 0000 0000 0000 and 1111 1111 1111 1111. Full-scale error for these SoftSpan ranges is the worst-case deviation of the first and last code transitions from ideal and includes the effect of offset error. For unipolar SoftSpan ranges 5, 4, and 1, zero-scale error is the offset voltage measured from  $0.5LSB$  when the output code flickers between 0000 0000 0000 0000 and 0000 0000 0000 0001. Full-scale error for these SoftSpan ranges is the worst-case deviation of the last code transition from ideal and includes the effect of offset error.

**Note 13:** All specifications in dB are referred to a full-scale input in the relevant SoftSpan input range, except for crosstalk, which is referred to the crosstalk injection signal amplitude.

**Note 14:** Temperature coefficient is calculated by dividing the maximum change in output voltage by the specified temperature range.

**Note 15:** When REFBUF is overdriven, the internal reference buffer must be disabled by setting  $REFIN = 0V$ .

**Note 16:**  $I_{REFBUF}$  varies proportionally with sample rate and the number of active channels.

**Note 17:** Portions of the analog input circuitry are powered down during conversion, reducing  $I_{VCC}$  and  $I_{VEE}$ . Refer to Applications Information section for more details.

**Note 18:** Parameter tested and guaranteed at  $OV_{DD} = 1.71V$ ,  $OV_{DD} = 2.5V$ , and  $OV_{DD} = 5.25V$ .

**Note 19:** A  $t_{SCKI}$  period of 10ns minimum allows a shift clock frequency of up to 100MHz for rising edge capture.

**Note 20:**  $V_{ICM} = 1.2V$ ,  $V_{ID} = 350mV$  for LVDS differential input pairs.

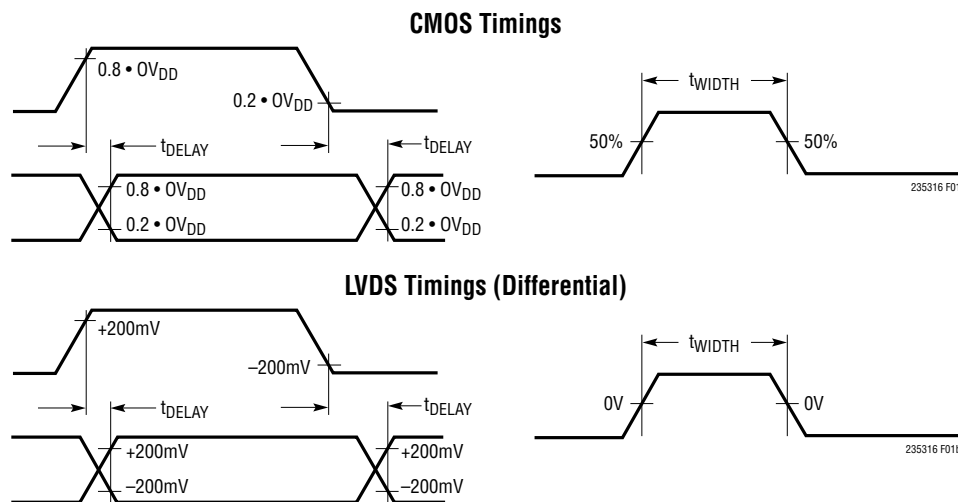
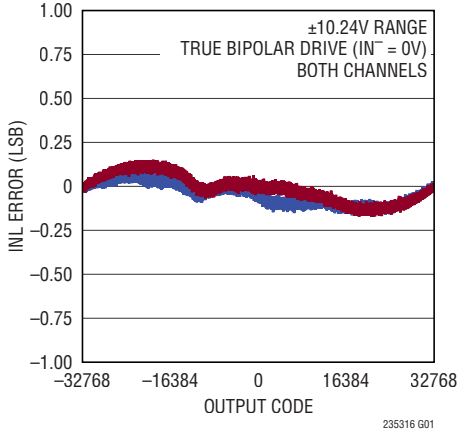


Figure 1. Voltage Levels for Timing Specifications

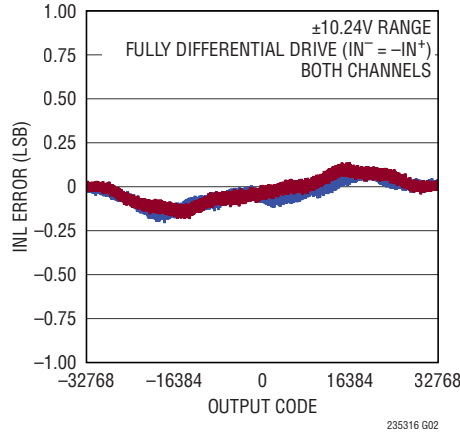


**TYPICAL PERFORMANCE CHARACTERISTICS**  $T_A = 25^\circ\text{C}$ ,  $V_{CC} = +15\text{V}$ ,  $V_{EE} = -15\text{V}$ ,  $V_{DD} = 5\text{V}$ ,  $0V_{DD} = 2.5\text{V}$ , Internal Reference and Buffer ( $V_{REFBUF} = 4.096\text{V}$ ),  $f_{SAMPL} = 550\text{ksps}$ , unless otherwise noted.

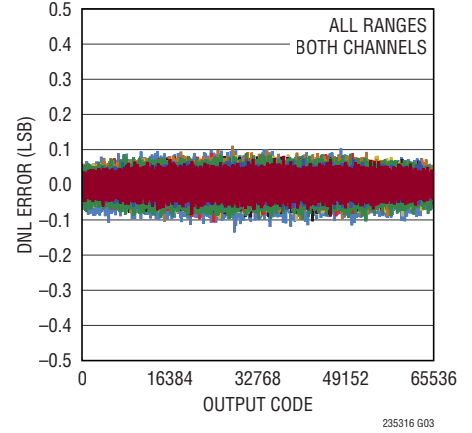
**Integral Nonlinearity vs Output Code and Channel**



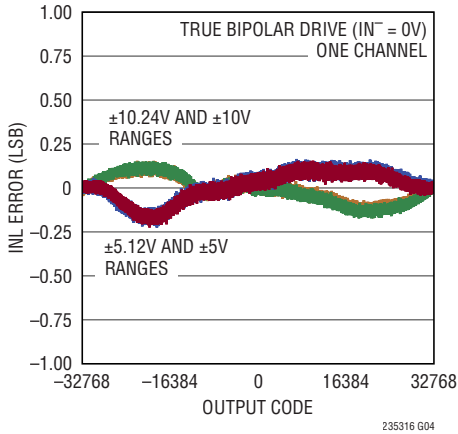
**Integral Nonlinearity vs Output Code and Channel**



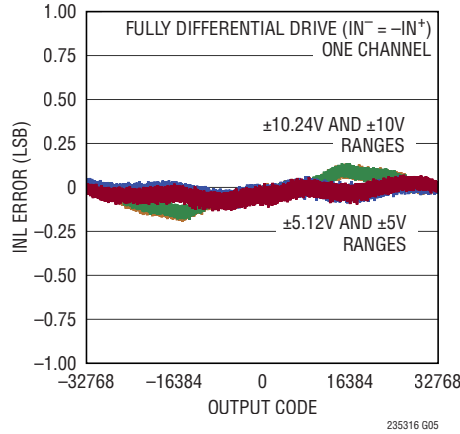
**Differential Nonlinearity vs Output Code and Channel**



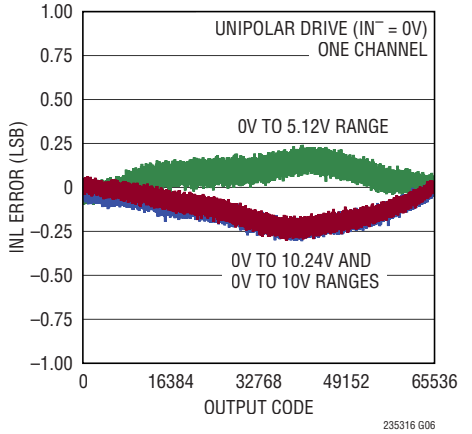
**Integral Nonlinearity vs Output Code and Range**



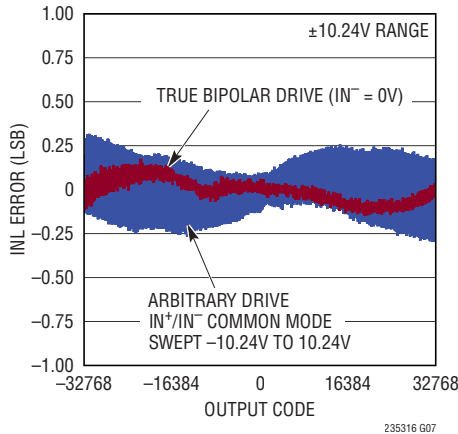
**Integral Nonlinearity vs Output Code and Range**



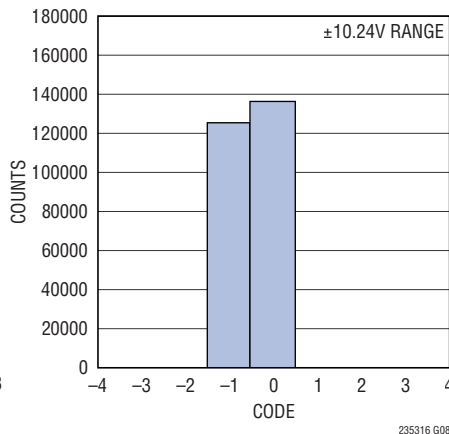
**Integral Nonlinearity vs Output Code and Range**



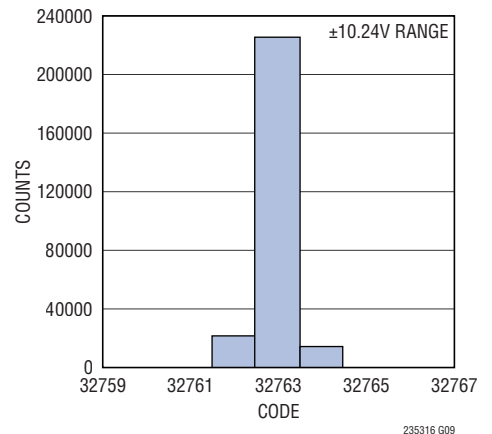
**Integral Nonlinearity vs Output Code**



**DC Histogram (Zero-Scale)**

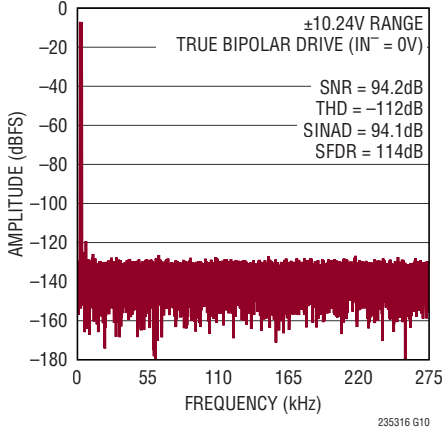


**DC Histogram (Near Full-Scale)**

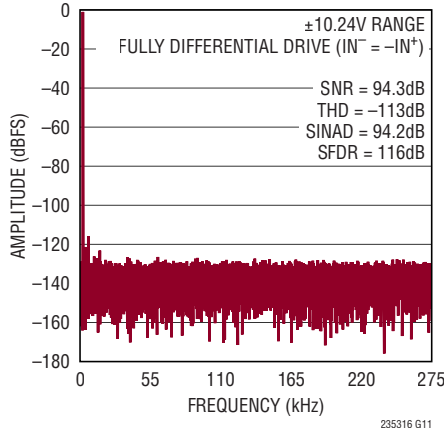


## TYPICAL PERFORMANCE CHARACTERISTICS $T_A = 25^\circ\text{C}$ , $V_{CC} = +15\text{V}$ , $V_{EE} = -15\text{V}$ , $V_{DD} = 5\text{V}$ , $0V_{DD} = 2.5\text{V}$ , Internal Reference and Buffer ( $V_{REFBUF} = 4.096\text{V}$ ), $f_{SMPL} = 550\text{ksps}$ , unless otherwise noted.

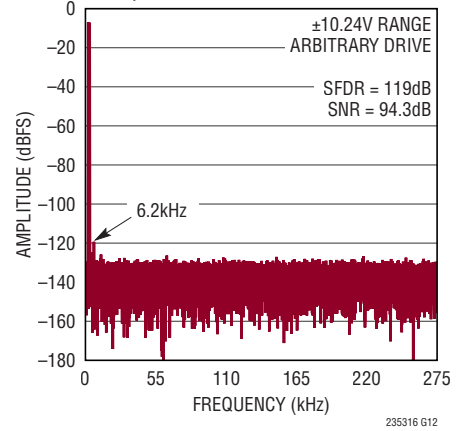
**32k Point FFT  $f_{SMPL} = 550\text{ksps}$ ,  $f_{IN} = 2\text{kHz}$**



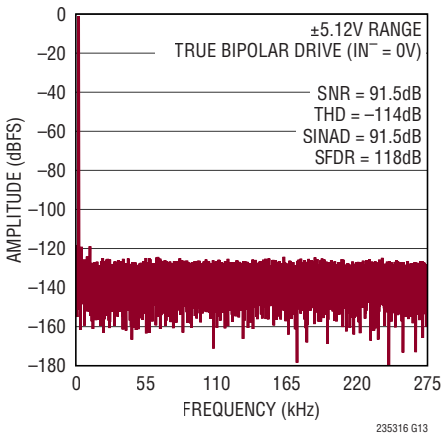
**32k Point FFT  $f_{SMPL} = 550\text{ksps}$ ,  $f_{IN} = 2\text{kHz}$**



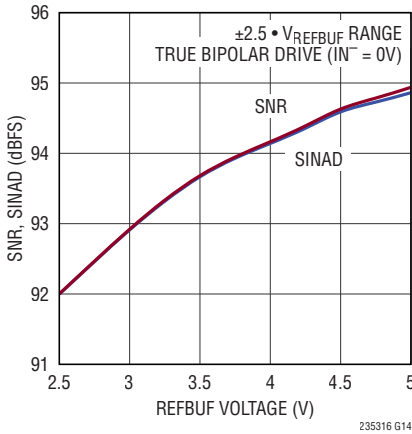
**32k Point Arbitrary Two-Tone FFT  $f_{SMPL} = 550\text{ksps}$ ,  $IN^+ = -7\text{dBFS}$  2kHz Sine,  $IN^- = -7\text{dBFS}$  3.1kHz Sine**



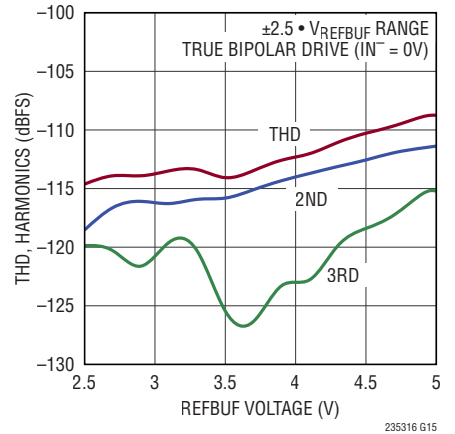
**32k Point FFT  $f_{SMPL} = 550\text{ksps}$ ,  $f_{IN} = 2\text{kHz}$**



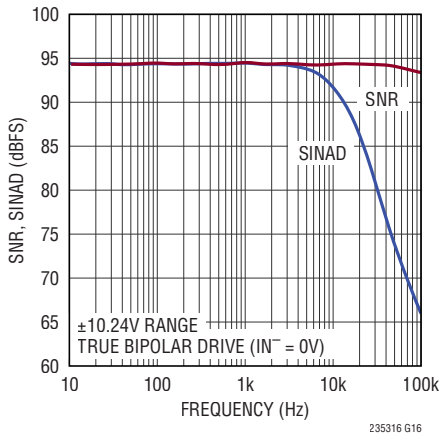
**SNR, SINAD vs  $V_{REFBUF}$ ,  $f_{IN} = 2\text{kHz}$**



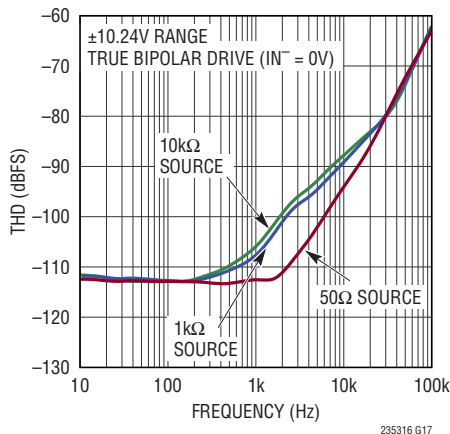
**THD, Harmonics vs  $V_{REFBUF}$ ,  $f_{IN} = 2\text{kHz}$**



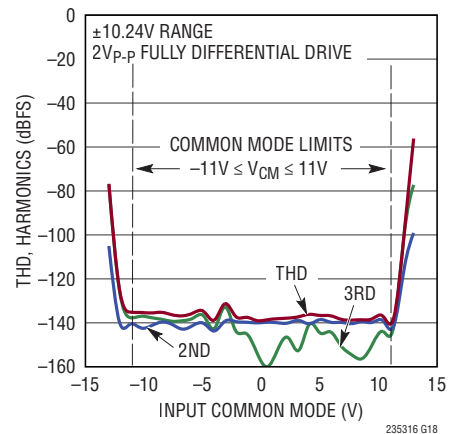
**SNR, SINAD vs Input Frequency**



**THD vs Input Frequency and Source Resistance**

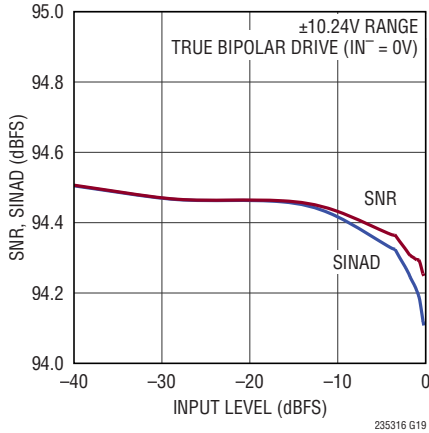


**THD, Harmonics vs Input Common Mode,  $f_{IN} = 2\text{kHz}$**

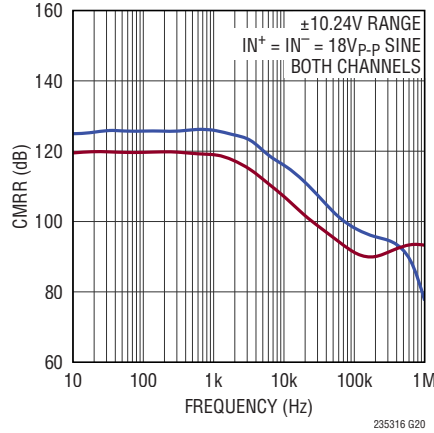


**TYPICAL PERFORMANCE CHARACTERISTICS**  $T_A = 25^\circ\text{C}$ ,  $V_{CC} = +15\text{V}$ ,  $V_{EE} = -15\text{V}$ ,  $V_{DD} = 5\text{V}$ ,  $0V_{DD} = 2.5\text{V}$ , Internal Reference and Buffer ( $V_{REFBUF} = 4.096\text{V}$ ),  $f_{SAMPL} = 550\text{ksps}$ , unless otherwise noted.

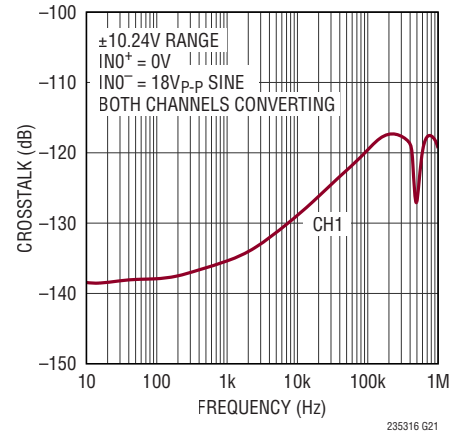
**SNR, SINAD vs Input Level,**  
 $f_{IN} = 2\text{kHz}$



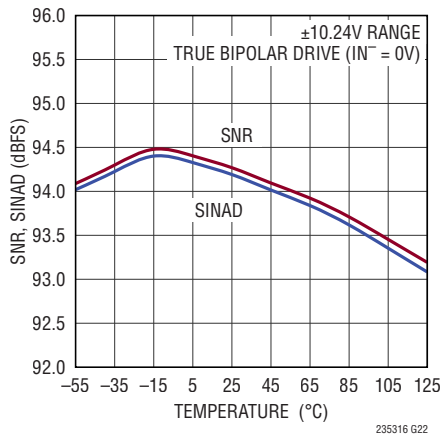
**CMRR vs Input Frequency and Channel**



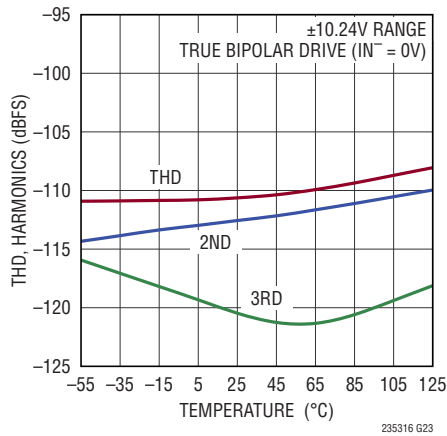
**Crosstalk vs Input Frequency**



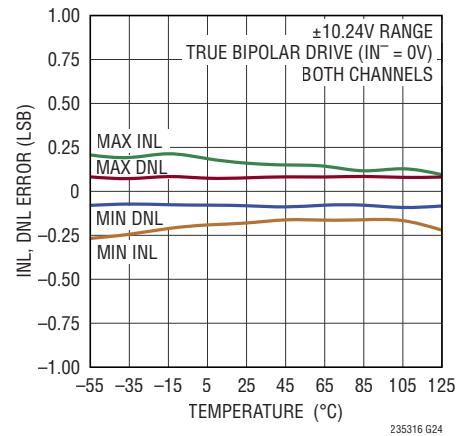
**SNR, SINAD vs Temperature,**  
 $f_{IN} = 2\text{kHz}$



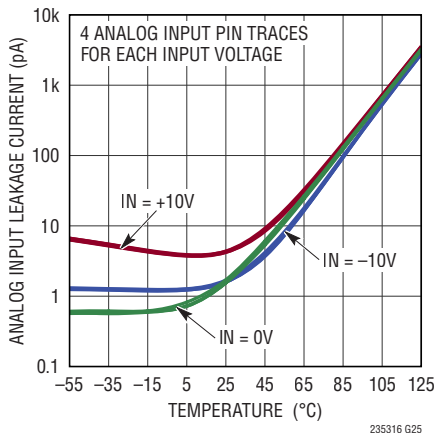
**THD, Harmonics vs Temperature,**  
 $f_{IN} = 2\text{kHz}$



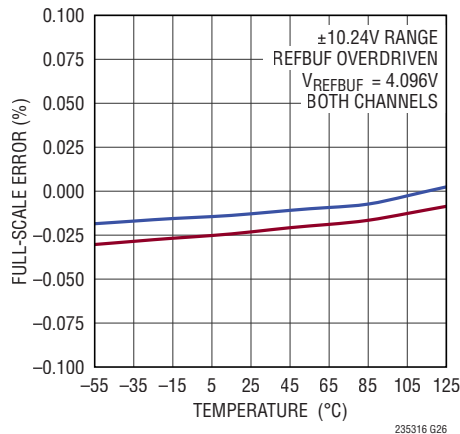
**INL, DNL vs Temperature**



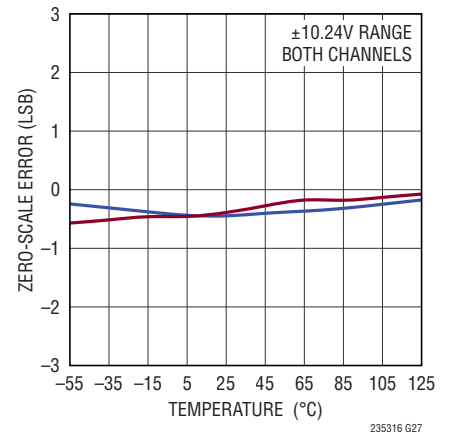
**Analog Input Leakage Current vs Temperature**



**Positive Full-Scale Error vs Temperature and Channel**

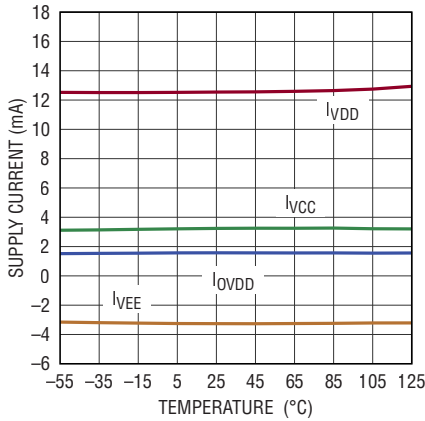


**Zero-Scale Error vs Temperature and Channel**



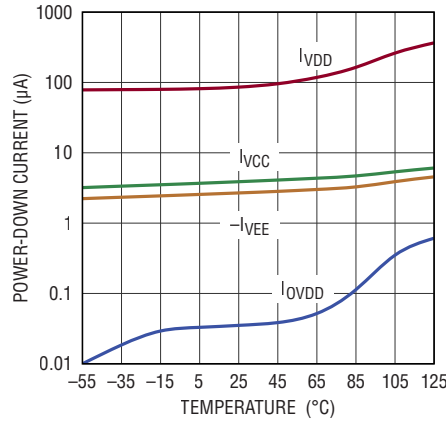
## TYPICAL PERFORMANCE CHARACTERISTICS $T_A = 25^\circ\text{C}$ , $V_{CC} = +15\text{V}$ , $V_{EE} = -15\text{V}$ , $V_{DD} = 5\text{V}$ , $OV_{DD} = 2.5\text{V}$ , Internal Reference and Buffer ( $V_{REFBUF} = 4.096\text{V}$ ), $f_{SAMPL} = 550\text{kpsps}$ , unless otherwise noted.

### Supply Current vs Temperature



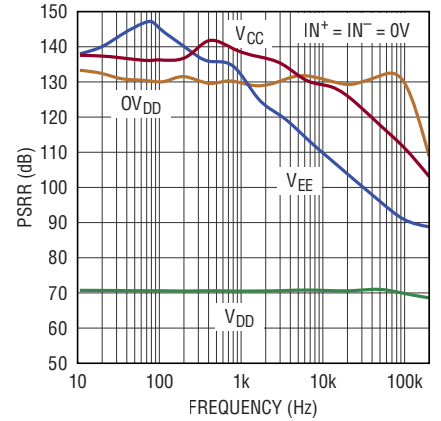
235316 G28

### Power-Down Current vs Temperature



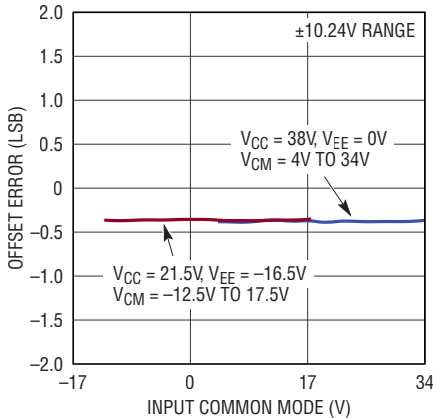
235316 G29

### PSRR vs Frequency



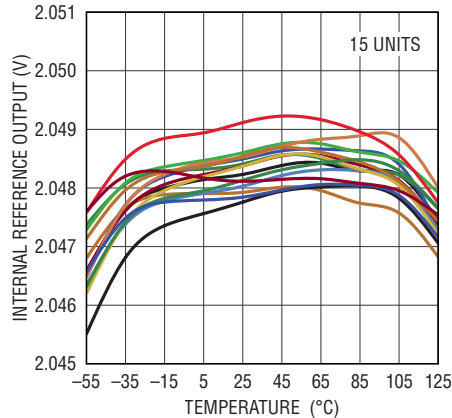
235316 G30

### Offset Error vs Input Common Mode



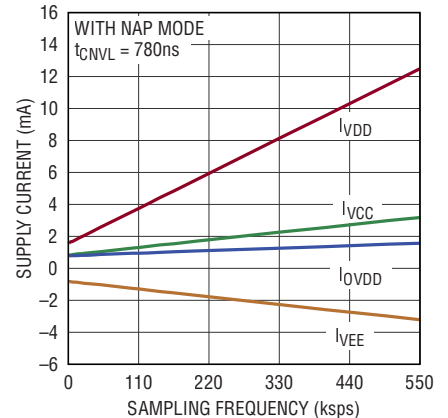
235316 G31

### Internal Reference Output vs Temperature



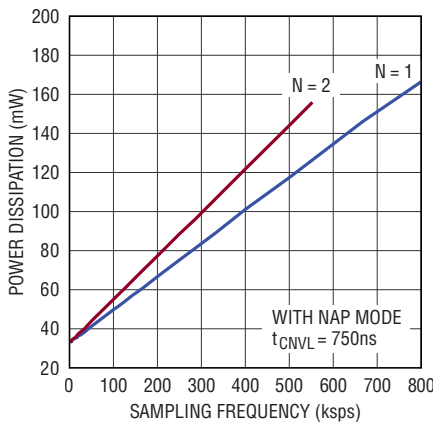
235316 G32

### Supply Current vs Sampling Rate



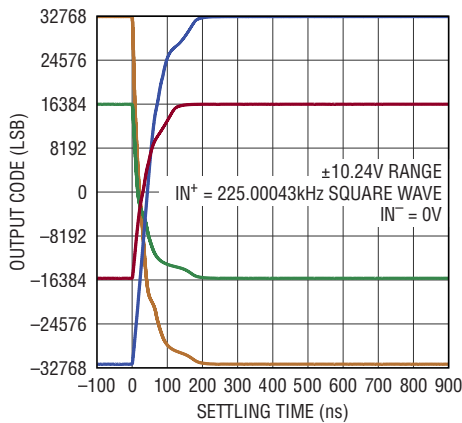
235316 G33

### Power Dissipation vs Sampling Rate, N-Channels Enabled



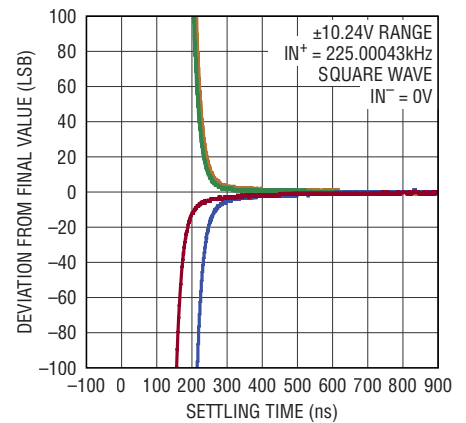
235316 G34

### Step Response (Large-Signal Settling)



235316 G35

### Step Response (Fine Settling)



235316 G36

## PIN FUNCTIONS

### Pins that are the Same for All Digital I/O Modes

**IN0+/IN0-, IN1+/IN1- (Pins 10/9, 4/3):** Positive and Negative Analog Inputs, Channels 0 and 1. The converter simultaneously samples and digitizes ( $V_{IN+} - V_{IN-}$ ) for both channels. Wide input common mode range ( $V_{EE} + 4V \leq V_{CM} \leq V_{CC} - 4V$ ) and high common mode rejection allow the inputs to accept a wide variety of signal swings. Full-scale input range is determined by the channel's SoftSpan configuration.

**GND (Pins 1, 2, 5, 6, 7, 8, 11, 12, 13, 14, 15, 18, 20, 25, 30, 36, 41, 44, 46, 47, 48):** Ground. Solder all GND pins to a solid ground plane.

**V<sub>CC</sub> (Pin 16):** Positive High Voltage Power Supply. The range of  $V_{CC}$  is 7.5V to 38V with respect to GND and 10V to 38V with respect to  $V_{EE}$ . Bypass  $V_{CC}$  to GND close to the pin with a 0.1 $\mu$ F ceramic capacitor.

**V<sub>EE</sub> (Pins 17, 45):** Negative High Voltage Power Supply. The range of  $V_{EE}$  is 0V to -16.5V with respect to GND and -10V to -38V with respect to  $V_{CC}$ . Connect Pins 17 and 45 together and bypass the  $V_{EE}$  network to GND close to Pin 17 with a 0.1 $\mu$ F ceramic capacitor. In applications where  $V_{EE}$  is shorted to GND, this capacitor may be omitted.

**REFIN (Pin 19):** Bandgap Reference Output/Reference Buffer Input. An internal bandgap reference nominally outputs 2.048V on this pin. An internal reference buffer amplifies  $V_{REFIN}$  to create the converter master reference voltage  $V_{REFBUF} = 2 \cdot V_{REFIN}$  on the REFBUF pin. When using the internal reference, bypass REFIN to GND (Pin 20) close to the pin with a 0.1 $\mu$ F ceramic capacitor to filter the bandgap output noise. If more accuracy is desired, overdrive REFIN with an external reference in the range of 1.25V to 2.2V. Do not load this pin when internal reference is used.

**REFBUF (Pin 21):** Internal Reference Buffer Output. An internal reference buffer amplifies  $V_{REFIN}$  to create the converter master reference voltage  $V_{REFBUF} = 2 \cdot V_{REFIN}$  on this pin, nominally 4.096V when using the internal bandgap reference. Bypass REFBUF to GND (Pin 20) close to the pin with a 47 $\mu$ F ceramic capacitor. The internal ref-

erence buffer may be disabled by grounding its input at REFIN. With the buffer disabled, overdrive REFBUF with an external reference voltage in the range of 2.5V to 5V. When using the internal reference buffer, limit the loading of any external circuitry connected to REFBUF to less than 200 $\mu$ A. Using a high input impedance amplifier to buffer  $V_{REFBUF}$  to any external circuits is recommended.

**PD (Pin 22):** Power Down Input. When this pin is brought high, the LTC2353-16 is powered down and subsequent conversion requests are ignored. If this occurs during a conversion, the device powers down once the conversion completes. If this pin is brought high twice without an intervening conversion, an internal global reset is initiated, equivalent to a power-on-reset event. Logic levels are determined by  $OV_{DD}$ .

**LVDS/CMOS (Pin 23):** I/O Mode Select. Tie this pin to  $OV_{DD}$  to select LVDS I/O mode, or to ground to select CMOS I/O mode. Logic levels are determined by  $OV_{DD}$ .

**CNV (Pin 24):** Conversion Start Input. A rising edge on this pin puts the internal sample-and-holds into the hold mode and initiates a new conversion. CNV is not gated by  $\overline{CS}$ , allowing conversions to be initiated independent of the state of the serial I/O bus.

**BUSY (Pin 38):** Busy Output. The BUSY signal indicates that a conversion is in progress. This pin transitions low-to-high at the start of each conversion and stays high until the conversion is complete. Logic levels are determined by  $OV_{DD}$ .

**V<sub>DDL</sub>BYP (Pin 40):** Internal 2.5V Regulator Bypass Pin. The voltage on this pin is generated via an internal regulator operating off of  $V_{DD}$ . This pin must be bypassed to GND close to the pin with a 2.2 $\mu$ F ceramic capacitor. Do not connect this pin to any external circuitry.

**V<sub>DD</sub> (Pins 42, 43):** 5V Power Supply. The range of  $V_{DD}$  is 4.75V to 5.25V. Connect Pins 42 and 43 together and bypass the  $V_{DD}$  network to GND with a shared 0.1 $\mu$ F ceramic capacitor close to the pins.

## PIN FUNCTIONS

### CMOS I/O Mode

**SDI<sup>+</sup>, SDI<sup>-</sup>, SDO<sup>+</sup>, SDO<sup>-</sup> (Pins 26, 27, 34, and 35):** LVDS Input and Output. In CMOS I/O mode these pins are Hi-Z.

**SDO0, SDO1 (Pins 28, 33):** CMOS Serial Data Outputs, Channels 0 to 1. The most recent conversion result along with channel configuration information is clocked out onto the SDO pins on each rising edge of SCKI. Output data formatting is described in the Digital Interface section. Leave unused SDO outputs unconnected. Logic levels are determined by  $OV_{DD}$ .

**SCKI (Pin 29):** CMOS Serial Clock Input. Drive SCKI with the serial I/O clock. SCKI rising edges latch serial data in on SDI and clock serial data out on SDO0 and SDO1. For standard SPI bus operation, capture output data at the receiver on rising edges of SCKI. SCKI is allowed to idle either high or low. Logic levels are determined by  $OV_{DD}$ .

**$OV_{DD}$  (Pin 31):** I/O Interface Power Supply. In CMOS I/O mode, the range of  $OV_{DD}$  is 1.71V to 5.25V. Bypass  $OV_{DD}$  to GND (Pin 30) close to the pin with a 0.1 $\mu$ F ceramic capacitor.

**SCKO (Pin 32):** CMOS Serial Clock Output. SCKI rising edges trigger transitions on SCKO that are skew-matched to the serial output data streams on SDO0 and SDO1. The resulting SCKO frequency is half that of SCKI. Rising and falling edges of SCKO may be used to capture SDO data at the receiver (FPGA) in double data rate (DDR) fashion. For standard SPI bus operation, SCKO is not used and should be left unconnected. SCKO is forced low at the falling edge of BUSY. Logic levels are determined by  $OV_{DD}$ .

**SDI (Pin 37):** CMOS Serial Data Input. Drive this pin with the desired 6-bit SoftSpan configuration word (see Table 1a), latched on the rising edges of SCKI. If both channels will be configured to operate only in SoftSpan 7, tie SDI to  $OV_{DD}$ . Logic levels are determined by  $OV_{DD}$ .

**$\overline{CS}$  (Pin 39):** Chip Select Input. The serial data I/O bus is enabled when  $\overline{CS}$  is low and is disabled and Hi-Z when  $\overline{CS}$  is high.  $\overline{CS}$  also gates the external shift clock, SCKI. Logic levels are determined by  $OV_{DD}$ .

### LVDS I/O Mode

**SDI<sup>+</sup>/SDI<sup>-</sup> (Pins 26/27):** LVDS Positive and Negative Serial Data Input. Differentially drive SDI<sup>+</sup>/SDI<sup>-</sup> with the desired 6-bit SoftSpan configuration word (see Table 1a), latched on both the rising and falling edges of SCKI<sup>+</sup>/SCKI<sup>-</sup>. The SDI<sup>+</sup>/SDI<sup>-</sup> input pair is internally terminated with a 100 $\Omega$  differential resistor when  $\overline{CS}$  is low.

**SCKI<sup>+</sup>/SCKI<sup>-</sup> (Pins 28/29):** LVDS Positive and Negative Serial Clock Input. Differentially drive SCKI<sup>+</sup>/SCKI<sup>-</sup> with the serial I/O clock. SCKI<sup>+</sup>/SCKI<sup>-</sup> rising and falling edges latch serial data in on SDI<sup>+</sup>/SDI<sup>-</sup> and clock serial data out on SDO<sup>+</sup>/SDO<sup>-</sup>. Idle SCKI<sup>+</sup>/SCKI<sup>-</sup> low, including when transitioning  $\overline{CS}$ . The SCKI<sup>+</sup>/SCKI<sup>-</sup> input pair is internally terminated with a 100 $\Omega$  differential resistor when  $\overline{CS}$  is low.

**$OV_{DD}$  (Pin 31):** I/O Interface Power Supply. In LVDS I/O mode, the range of  $OV_{DD}$  is 2.375V to 5.25V. Bypass  $OV_{DD}$  to GND (Pin 30) close to the pin with a 0.1 $\mu$ F ceramic capacitor.

**SCKO<sup>+</sup>/SCKO<sup>-</sup> (Pins 32/33):** LVDS Positive and Negative Serial Clock Output. SCKO<sup>+</sup>/SCKO<sup>-</sup> outputs a copy of the input serial I/O clock received on SCKI<sup>+</sup>/SCKI<sup>-</sup>, skew-matched with the serial output data stream on SDO<sup>+</sup>/SDO<sup>-</sup>. Use the rising and falling edges of SCKO<sup>+</sup>/SCKO<sup>-</sup> to capture SDO<sup>+</sup>/SDO<sup>-</sup> data at the receiver (FPGA). The SCKO<sup>+</sup>/SCKO<sup>-</sup> output pair must be differentially terminated with a 100 $\Omega$  resistor at the receiver (FPGA).

**SDO<sup>+</sup>/SDO<sup>-</sup> (Pins 34/35):** LVDS Positive and Negative Serial Data Output. The most recent conversion result along with channel configuration information is clocked out onto SDO<sup>+</sup>/SDO<sup>-</sup> on both rising and falling edges of SCKI<sup>+</sup>/SCKI<sup>-</sup>, beginning with channel 0. The SDO<sup>+</sup>/SDO<sup>-</sup> output pair must be differentially terminated with a 100 $\Omega$  resistor at the receiver (FPGA).

**SDI (Pin 37):** CMOS Serial Data. In LVDS I/O mode, this pin is Hi-Z.

**$\overline{CS}$  (Pin 39):** Chip Select Input. The serial data I/O bus is enabled when  $\overline{CS}$  is low, and is disabled and Hi-Z when  $\overline{CS}$  is high.  $\overline{CS}$  also gates the external shift clock, SCKI<sup>+</sup>/SCKI<sup>-</sup>. The internal 100 $\Omega$  differential termination resistors on the SCKI<sup>+</sup>/SCKI<sup>-</sup> and SDI<sup>+</sup>/SDI<sup>-</sup> input pairs are disabled when  $\overline{CS}$  is high. Logic levels are determined by  $OV_{DD}$ .

## CONFIGURATION TABLES

**Table 1a. SoftSpan Configuration Table. Use This Table with Table 1b to Choose Independent Binary SoftSpan Codes SS[2:0] for Each Channel Based on Desired Analog Input Range. Combine SoftSpan Codes to Form 6-Bit SoftSpan Configuration Word S[5:0]. Use Serial Interface to Write SoftSpan Configuration Word to LTC2353-16, as shown in Figure 18**

BINARY SoftSpan CODE SS[2:0]	ANALOG INPUT RANGE	FULL SCALE RANGE	BINARY FORMAT OF CONVERSION RESULT
111	$\pm 2.5 \cdot V_{REFBUF}$	$5 \cdot V_{REFBUF}$	Two's Complement
110	$\pm 2.5 \cdot V_{REFBUF}/1.024$	$5 \cdot V_{REFBUF}/1.024$	Two's Complement
101	0V to $2.5 \cdot V_{REFBUF}$	$2.5 \cdot V_{REFBUF}$	Straight Binary
100	0V to $2.5 \cdot V_{REFBUF}/1.024$	$2.5 \cdot V_{REFBUF}/1.024$	Straight Binary
011	$\pm 1.25 \cdot V_{REFBUF}$	$2.5 \cdot V_{REFBUF}$	Two's Complement
010	$\pm 1.25 \cdot V_{REFBUF}/1.024$	$2.5 \cdot V_{REFBUF}/1.024$	Two's Complement
001	0V to $1.25 \cdot V_{REFBUF}$	$1.25 \cdot V_{REFBUF}$	Straight Binary
000	Channel Disabled	Channel Disabled	All Zeros

**Table 1b. Reference Configuration Table. The LTC2353-16 Supports Three Reference Configurations. Analog Input Range Scales with the Converter Master Reference Voltage,  $V_{REFBUF}$**

REFERENCE CONFIGURATION	$V_{REFIN}$	$V_{REFBUF}$	BINARY SoftSpan CODE SS[2:0]	ANALOG INPUT RANGE
Internal Reference with Internal Buffer	2.048V	4.096V	111	$\pm 10.24V$
			110	$\pm 10V$
			101	0V to 10.24V
			100	0V to 10V
			011	$\pm 5.12V$
			010	$\pm 5V$
			001	0V to 5.12V
External Reference with Internal Buffer (REFIN Pin Externally Overdriven)	1.25V (Min Value)	2.5V	111	$\pm 6.25V$
			110	$\pm 6.104V$
			101	0V to 6.25V
			100	0V to 6.104V
			011	$\pm 3.125V$
			010	$\pm 3.052V$
			001	0V to 3.125V
	2.2V (Max Value)	4.4V	111	$\pm 11V$
			110	$\pm 10.742V$
			101	0V to 11V
			100	0V to 10.742V
			011	$\pm 5.5V$
			010	$\pm 5.371V$
			001	0V to 5.5V

## CONFIGURATION TABLES

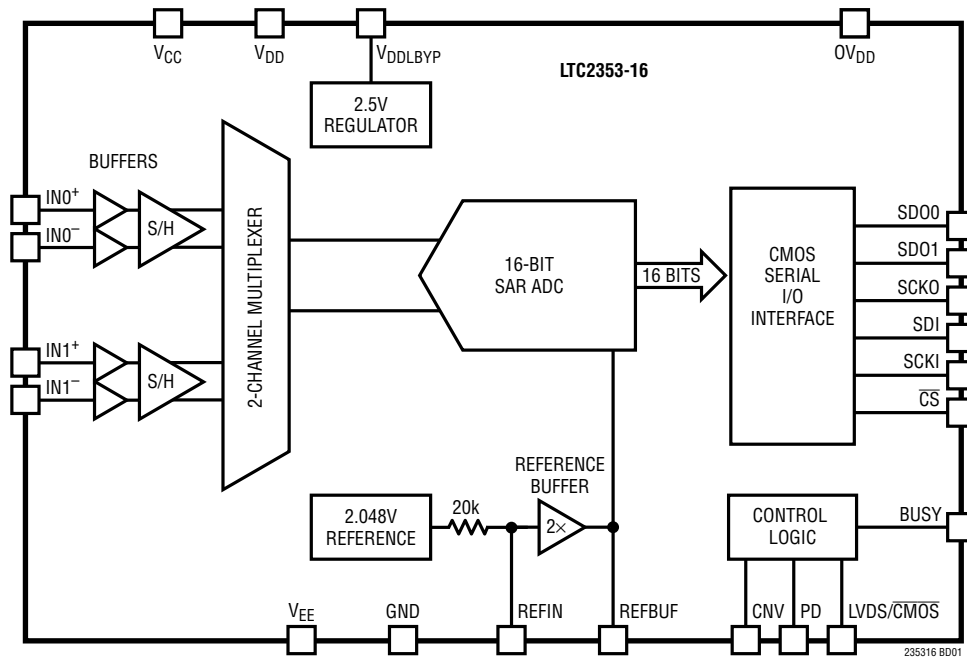
Table 1b. Reference Configuration Table (Continued). The LTC2353-16 Supports Three Reference Configurations. Analog Input Range Scales with the Converter Master Reference Voltage,  $V_{REFBUF}$

REFERENCE CONFIGURATION	$V_{REFIN}$	$V_{REFBUF}$	BINARY SoftSpan CODE SS[2:0]	ANALOG INPUT RANGE
External Reference Unbuffered (REFBUF Pin Externally Overdriven, REFIN Pin Grounded)	0V	2.5V (Min Value)	111	±6.25V
			110	±6.104V
			101	0V to 6.25V
			100	0V to 6.104V
			011	±3.125V
			010	±3.052V
			001	0V to 3.125V
	0V	5V (Max Value)	111	±12.5V
			110	±12.207V
			101	0V to 12.5V
			100	0V to 12.207V
			011	±6.25V
			010	±6.104V
			001	0V to 6.25V

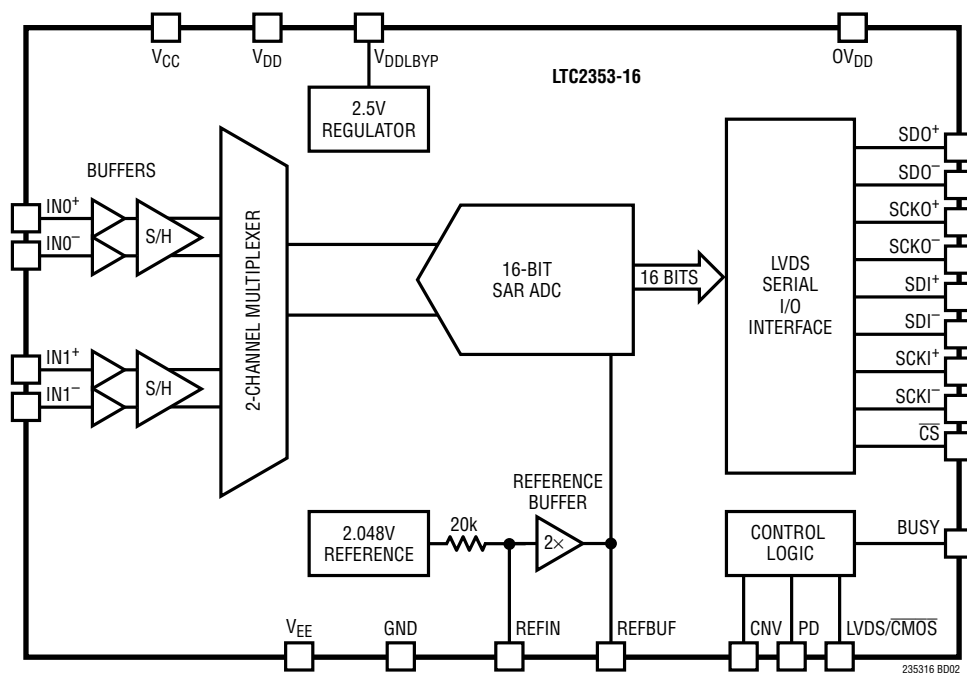


# FUNCTIONAL BLOCK DIAGRAM

## CMOS I/O Mode

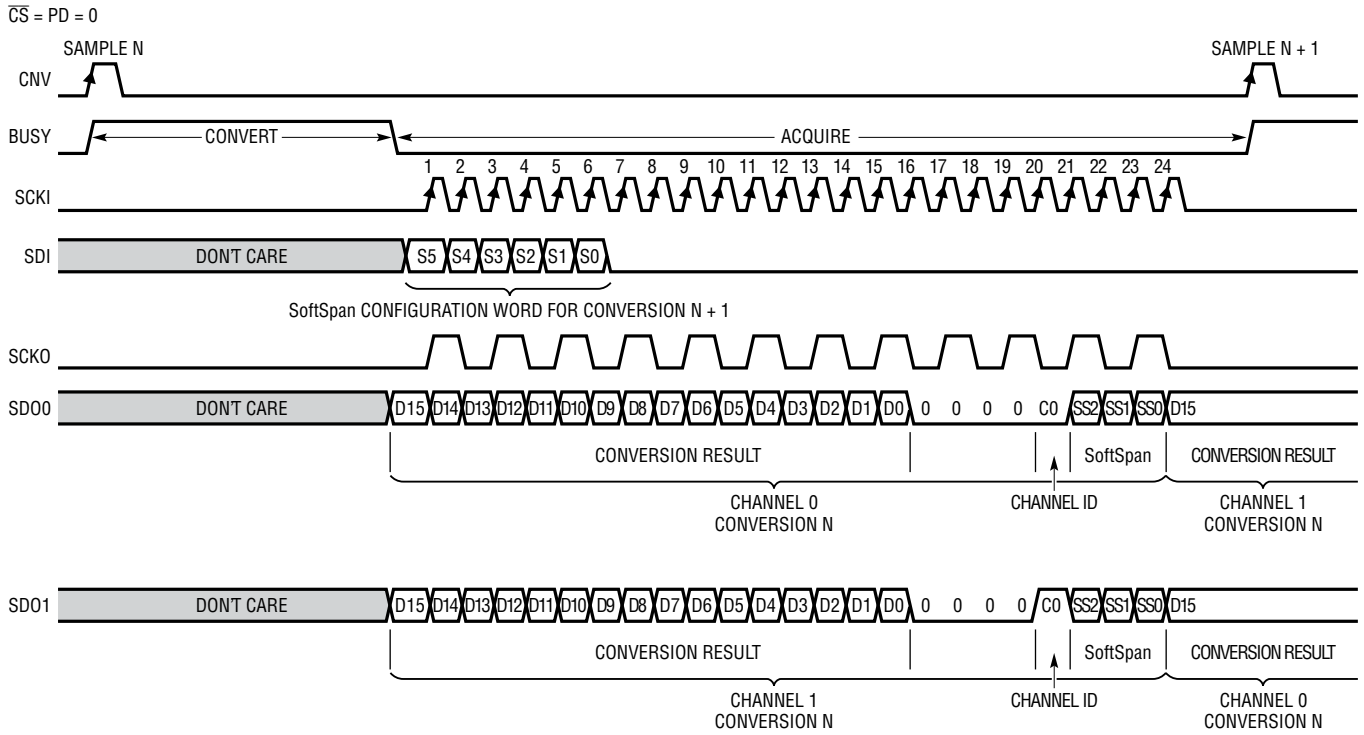


## LVDS I/O Mode



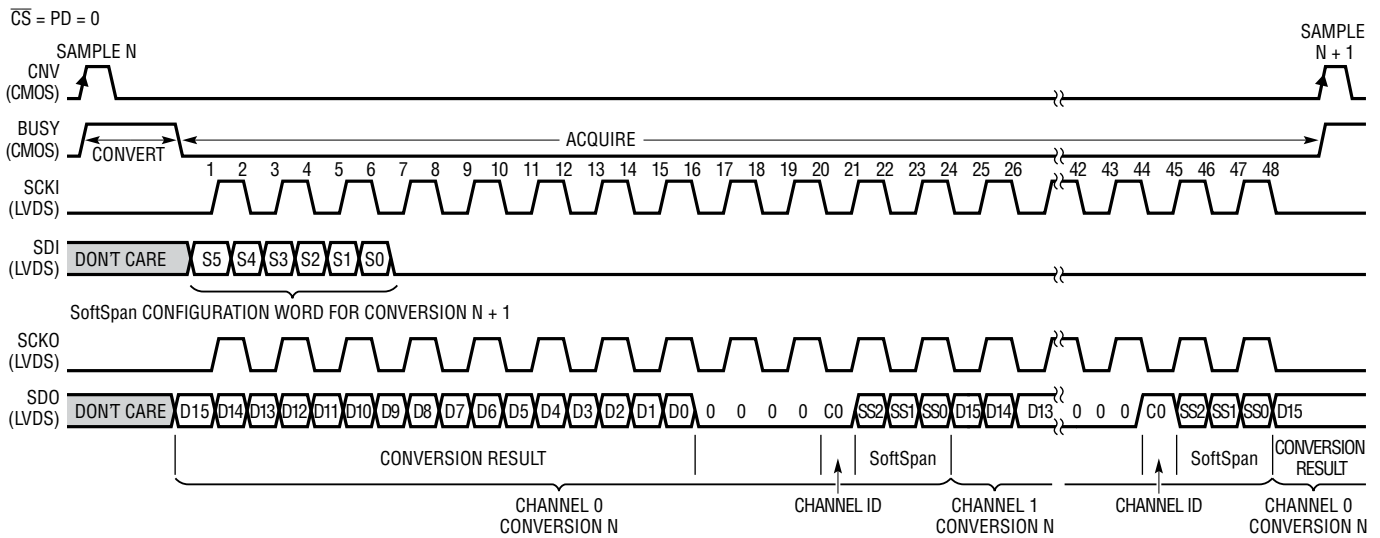
# TIMING DIAGRAM

## CMOS I/O Mode



235316 TD01

## LVDS I/O Mode



235316 TD02

## APPLICATIONS INFORMATION

### OVERVIEW

The LTC2353-16 is a 16-bit, low noise 2-channel simultaneous sampling successive approximation register (SAR) ADC with buffered differential, wide common mode range picoamp inputs. The ADC operates from a 5V low voltage supply and flexible high voltage supplies, nominally  $\pm 15V$ . Using the integrated low-drift reference and buffer ( $V_{REFBUF} = 4.096V$  nominal), both channels of this SoftSpan ADC can be independently configured on a conversion-by-conversion basis to accept  $\pm 10.24V$ ,  $0V$  to  $10.24V$ ,  $\pm 5.12V$ , or  $0V$  to  $5.12V$  signals. The input signal range may be expanded up to  $\pm 12.5V$  using an external 5V reference. One channel may also be disabled to increase throughput on the other channel.

The integrated picoamp-input analog buffers, wide input common mode range, and 124dB CMRR of the LTC2353-16 allow the ADC to directly digitize a variety of signals using minimal board space and power. This input signal flexibility, combined with  $\pm 1LSB$  INL, no missing codes at 16 bits, and 94.2dB SNR, makes the LTC2353-16 an ideal choice for many high voltage applications requiring wide dynamic range.

The absolute common mode input range ( $V_{EE} + 4V$  to  $V_{CC} - 4V$ ) is determined by the choice of high voltage supplies. These supplies may be biased asymmetrically around ground and include the ability for  $V_{EE}$  to be tied directly to ground.

The LTC2353-16 supports pin-selectable SPI CMOS (1.8V to 5V) and LVDS serial interfaces, enabling it to communicate equally well with legacy microcontrollers and modern FPGAs. In CMOS mode, applications may employ either one or two lanes of serial output data, allowing the user to optimize bus width and data throughput. The LTC2353-16 typically dissipates 162mW when converting two channels simultaneously at 550ksps per channel. Optional nap and power down modes may be employed to further reduce power consumption during inactive periods.

### CONVERTER OPERATION

The LTC2353-16 operates in two phases. During the acquisition phase, the sampling capacitors in both channels' sample-and-hold (S/H) circuit connect to their respective analog input buffers, which track the differential analog input voltage ( $V_{IN+} - V_{IN-}$ ). A rising edge on the CNV pin transitions both channels' S/H circuits from track mode to hold mode, simultaneously sampling the input signals on both channels and initiating a conversion. During the conversion phase, both channels' sampling capacitors are connected, one channel at a time, to a 16-bit charge redistribution capacitor D/A converter (CDAC). The CDAC is sequenced through a successive approximation algorithm, effectively comparing the sampled input voltage with binary-weighted fractions of the channel's SoftSpan full-scale range (e.g.,  $V_{FSR}/2$ ,  $V_{FSR}/4$  ...  $V_{FSR}/65536$ ) using a differential comparator. At the end of this process, the CDAC output approximates the channel's sampled analog input. Once both channels have been converted in this manner, the ADC control logic prepares the 16-bit digital output codes from each channel for serial transfer.

### TRANSFER FUNCTION

The LTC2353-16 digitizes each channel's full-scale voltage range into  $2^{16}$  levels. In conjunction with the ADC master reference voltage,  $V_{REFBUF}$ , a channel's SoftSpan configuration determines its input voltage range, full-scale range, LSB size, and the binary format of its conversion result, as shown in Tables 1a and 1b. For example, employing the internal reference and buffer ( $V_{REFBUF} = 4.096V$  nominal), SoftSpan 7 configures a channel to accept a  $\pm 10.24V$  bipolar analog input voltage range, which corresponds to a 20.48V full-scale range with a 312.5 $\mu V$  LSB. Other SoftSpan configurations and reference voltages may be employed to convert both larger and smaller bipolar and unipolar input ranges. Conversion results are output in two's complement binary format for all bipolar SoftSpan ranges, and in straight binary format for all unipolar SoftSpan ranges.

## APPLICATIONS INFORMATION

The ideal two's complement transfer function is shown in Figure 2, while the ideal straight binary transfer function is shown in Figure 3.

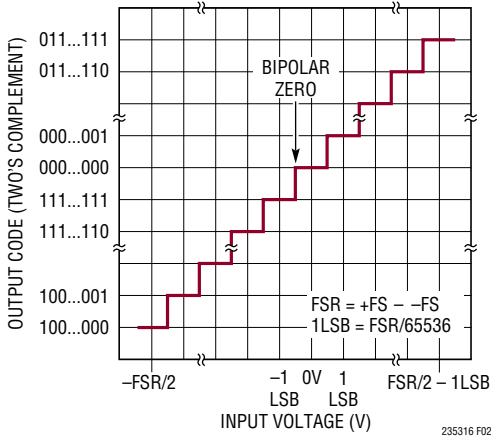


Figure 2. LTC2353-16 Two's Complement Transfer Function

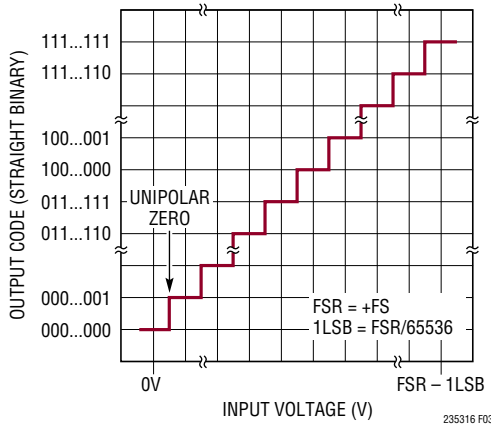


Figure 3. LTC2353-16 Straight Binary Transfer Function

### BUFFERED ANALOG INPUTS

Each channel of the LTC2353-16 simultaneously samples the voltage difference ( $V_{IN+} - V_{IN-}$ ) between its analog input pins over a wide common mode input range while attenuating unwanted signals common to both input pins by the common-mode rejection ratio (CMRR) of the ADC. Wide common mode input range coupled with high CMRR allows the  $IN^+/IN^-$  analog inputs to swing with an arbitrary relationship to each other, provided both pins remain between  $(V_{EE} + 4V)$  and  $(V_{CC} - 4V)$ . This feature of the

LTC2353-16 enables it to accept a wide variety of signal swings, including traditional classes of analog input signals such as pseudo-differential unipolar, pseudo-differential true bipolar, and fully differential, simplifying signal chain design. For conversion of signals extending to  $V_{EE}$ , the unbuffered LTC2348-16 ADC is recommended.

The wide operating range of the high voltage supplies offers further input common mode flexibility. As long as the voltage difference limits of  $10V \leq (V_{CC} - V_{EE}) \leq 38V$  are observed,  $V_{CC}$  and  $V_{EE}$  may be independently biased anywhere within their own individually allowed operating ranges, including the ability for  $V_{EE}$  to be tied directly to ground. This feature enables the common mode input range of the LTC2353-16 to be tailored to specific application requirements.

In all SoftSpan ranges, each channel's analog inputs can be modeled by the equivalent circuit shown in Figure 4. At the start of acquisition, the sampling capacitors ( $C_{SAMP}$ ) connect to the integrated buffers  $BUFFER^+/BUFFER^-$  through the sampling switches. The sampled voltage is reset during the conversion process and is therefore re-acquired for each new conversion.

The diodes between the inputs and the  $V_{CC}$  and  $V_{EE}$  supplies provide input ESD protection. While within the supply voltages, the analog inputs of the LTC2353-16 draw only 5pA typical DC leakage current and the ESD protection diodes don't turn on. This offers a significant advantage over external op amp buffers, which often have diode protection that turns on during transients and corrupts the voltage on any filter capacitors at their inputs.

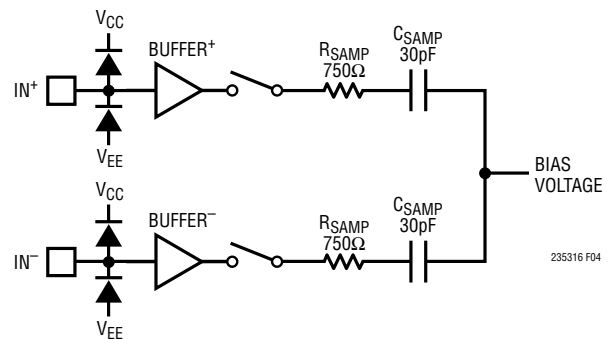


Figure 4. Equivalent Circuit for Differential Analog Inputs, Single Channel Shown

## APPLICATIONS INFORMATION

### Bipolar SoftSpan Input Ranges

For channels configured in SoftSpan ranges 7, 6, 3, or 2, the LTC2353-16 digitizes the differential analog input voltage ( $V_{IN+} - V_{IN-}$ ) over a bipolar span of  $\pm 2.5 \cdot V_{REFBUF}$ ,  $\pm 2.5 \cdot V_{REFBUF}/1.024$ ,  $\pm 1.25 \cdot V_{REFBUF}$ , or  $\pm 1.25 \cdot V_{REFBUF}/1.024$ , respectively, as shown in Table 1a. These SoftSpan ranges are useful for digitizing input signals where  $IN^+$  and  $IN^-$  swing above and below each other. Traditional examples include fully differential input signals, where  $IN^+$  and  $IN^-$  are driven 180 degrees out-of-phase with respect to each other centered around a common mode voltage  $(V_{IN+} + V_{IN-})/2$ , and pseudo-differential true bipolar input signals, where  $IN^+$  swings above and below a ground reference level, driven on  $IN^-$ . Regardless of the chosen SoftSpan range, the wide common mode input range and high CMRR of the  $IN^+/IN^-$  analog inputs allow them to swing with an arbitrary relationship to each other, provided each pin remains between  $(V_{CC} - 4V)$  and  $(V_{EE} + 4V)$ . The output data format for all bipolar SoftSpan ranges is two's complement.

### Unipolar SoftSpan Input Ranges

For channels configured in SoftSpan ranges 5, 4, or 1, the LTC2353-16 digitizes the differential analog input voltage ( $V_{IN+} - V_{IN-}$ ) over a unipolar span of  $0V$  to  $2.5 \cdot V_{REFBUF}$ ,  $0V$  to  $2.5 \cdot V_{REFBUF}/1.024$ , or  $0V$  to  $1.25 \cdot V_{REFBUF}$ , respectively, as shown in Table 1a. These SoftSpan ranges are useful for digitizing input signals where  $IN^+$  remains above  $IN^-$ . A traditional example includes pseudo-differential unipolar input signals, where  $IN^+$  swings above a ground reference level, driven on  $IN^-$ . Regardless of the chosen SoftSpan range, the wide common mode input range and high CMRR of the  $IN^+/IN^-$  analog inputs allow them to swing with an arbitrary relationship to each other, provided each pin remains between  $(V_{CC} - 4V)$  and  $(V_{EE} + 4V)$ . The output data format for all unipolar SoftSpan ranges is straight binary.

### INPUT DRIVE CIRCUITS

The CMOS buffer input stage offers a very high degree of transient isolation from the sampling process. Most sensors, signal conditioning amplifiers and filter networks with

less than  $10k\Omega$  of impedance can drive the passive  $3pF$  analog input capacitance directly. For higher impedances and slow-settling circuits, add a  $680pF$  capacitor at the pins to maintain the full DC accuracy of the LTC2353-16.

The very high input impedance of the unity gain buffers in the LTC2353-16 greatly reduces the input drive requirements and makes it possible to include optional RC filters with  $k\Omega$  impedance and arbitrarily slow time constants for anti-aliasing or other purposes. Micropower op amps with limited drive capability are also well suited to drive the high impedance analog inputs directly.

The LTC2353-16 features proprietary circuitry to achieve exceptional internal crosstalk isolation between channels ( $-118dB$  typical). The PC board wiring to the analog inputs should be short and shielded to prevent external capacitive crosstalk between channels. The capacitance between adjacent package pins is  $0.16pF$ . Low source resistance and/or high source capacitance help reduce external capacitively coupled crosstalk. Single ended input drive also enjoys additional external crosstalk isolation because every other input pin is grounded, or at a low impedance DC source, and serves as a shield between channels.

### INPUT OVERDRIVE TOLERANCE

Driving an analog input above  $V_{CC}$  on any channel up to  $10mA$  will not affect conversion results on other channels. Approximately 70% of this overdrive current will flow out of the  $V_{CC}$  pin and the remaining 30% will flow out of  $V_{EE}$ . This current flowing out of  $V_{EE}$  will produce heat across the  $V_{CC} - V_{EE}$  voltage drop and must be taken into account for the total Absolute Maximum power dissipation of  $500mW$ . Driving an analog input below  $V_{EE}$  may corrupt conversion results on other channels. This product can handle input currents of up to  $100mA$  below  $V_{EE}$  or above  $V_{CC}$  without latchup.

Keep in mind that driving the inputs above  $V_{CC}$  or below  $V_{EE}$  may reverse the normal current flow from the external power supplies driving these pins.

## APPLICATIONS INFORMATION

### Input Filtering

The true high impedance analog inputs can accommodate a very wide range of passive or active signal conditioning filters. The buffered ADC inputs have an analog bandwidth of 6MHz, and impose no particular bandwidth requirement on external filters. The external input filters can therefore be optimized independent of the ADC to reduce signal chain noise and interference. A common filter configuration is the simple anti-aliasing and noise reducing RC filter with its pole at half the sampling frequency. For example, 275kHz with  $R = 845\Omega$  and  $C = 680\text{pF}$  as shown in Figure 5.

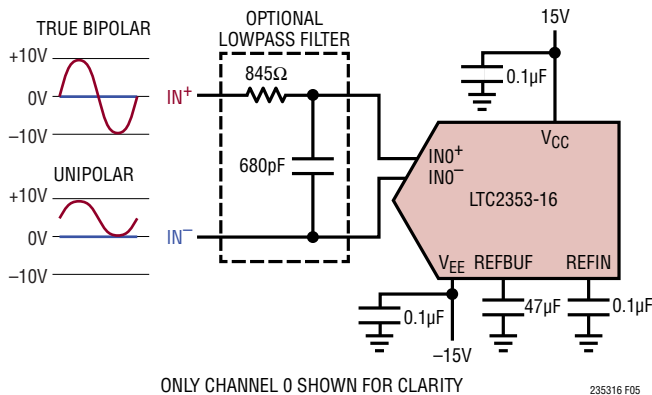


Figure 5. Filtering Single-Ended Input Signals

High quality capacitors and resistors should be used in the RC filters since these components can add distortion. NPO/COG and silver mica type dielectric capacitors have excellent linearity. Carbon surface mount resistors can generate distortion from self-heating and from damage that may occur during soldering. Metal film surface mount resistors are much less susceptible to both problems.

### Arbitrary and Fully Differential Analog Input Signals

The wide common mode input range and high CMRR of the LTC2353-16 allow each channel's  $\text{IN}^+$  and  $\text{IN}^-$  pins to swing with an arbitrary relationship to each other, provided each pin remains between  $(V_{CC} - 4V)$  and  $(V_{EE} + 4V)$ . This

feature of the LTC2353-16 enables it to accept a wide variety of signal swings, simplifying signal chain design.

The two-tone test shown in Figure 6b demonstrates the arbitrary input drive capability of the LTC2353-16. This test simultaneously drives  $\text{IN}^+$  with a  $-7\text{dBFS}$  2kHz single-ended sine wave and  $\text{IN}^-$  with a  $-7\text{dBFS}$  3.1kHz single-ended sine wave. Together, these signals sweep the analog inputs across a wide range of common mode and differential mode voltage combinations, similar to the more general arbitrary input signal case. They also have a simple spectral representation. An ideal differential converter with no common-mode sensitivity will digitize this signal as two  $-7\text{dBFS}$  spectral tones, one at each sine wave frequency. The FFT plot in Figure 6b demonstrates the LTC2353-16 response approaches this ideal, with 119dB of SFDR limited by the converter's second harmonic distortion response to the 3.1kHz sine wave on  $\text{IN}^-$ .

The ability of the LTC2353-16 to accept arbitrary signal swings over a wide input common mode range with high CMRR can simplify application solutions. In practice, many sensors produce a differential sensor voltage riding on top of a large common mode signal. Figure 7a depicts one way of using the LTC2353-16 to digitize signals of this type. The amplifier stage provides a differential gain of approximately 10V/V to the desired sensor signal while the unwanted common mode signal is attenuated by the ADC CMRR. The circuit employs the  $\pm 5V$  SoftSpan range of the ADC. Figure 7b shows measured CMRR performance of this solution, which is competitive with the best commercially available instrumentation amplifiers. Figure 7c shows measured AC performance of this solution.

In Figure 8, another application circuit is shown which uses both channels of the LTC2353-16 to simultaneously sense the voltage and bidirectional current through a sense resistor over a wide common mode range.

# APPLICATIONS INFORMATION

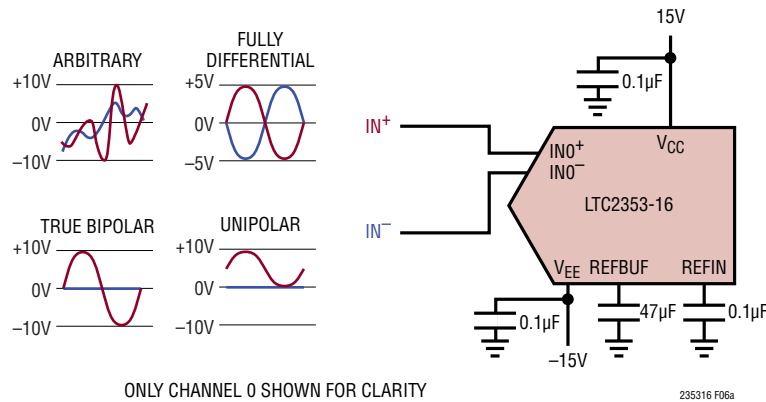


Figure 6a. Input Arbitrary, Fully Differential, True Bipolar, and Unipolar Signals

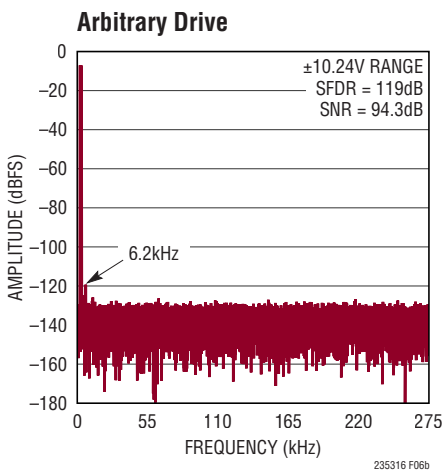


Figure 6b. Two-Tone Test.  $IN^+ = -7\text{dBFS}$  2kHz Sine,  $IN^- = -7\text{dBFS}$  3.1kHz Sine, 32k Point FFT,  $f_{\text{SAMPL}} = 550\text{kpsps}$ . Circuit Shown in Figure 6a

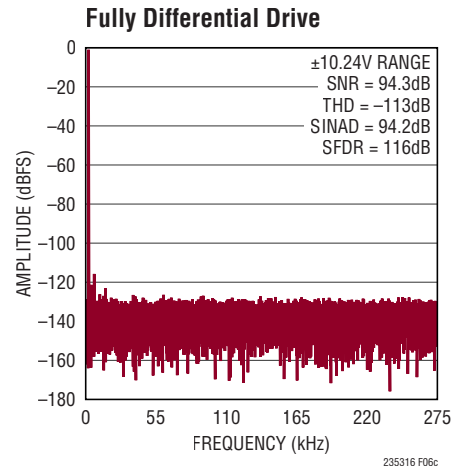


Figure 6c.  $IN^+/IN^- = -1\text{dBFS}$  2kHz Fully Differential Sine,  $V_{\text{CM}} = 0\text{V}$ , 32k Point FFT,  $f_{\text{SAMPL}} = 550\text{kpsps}$ . Circuit Shown in Figure 6a

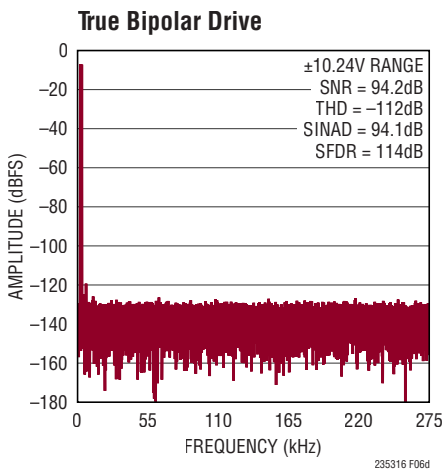


Figure 6d.  $IN^+ = -1\text{dBFS}$  2kHz True Bipolar Sine,  $IN^- = 0\text{V}$ , 32k Point FFT,  $f_{\text{SAMPL}} = 550\text{kpsps}$ . Circuit Shown in Figure 6a

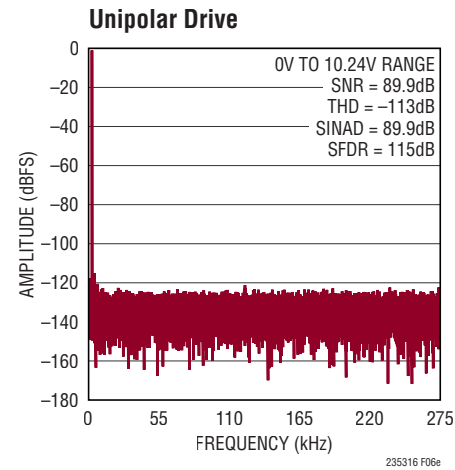


Figure 6e.  $IN^+ = -1\text{dBFS}$  2kHz Unipolar Sine,  $IN^- = 0\text{V}$ , 32k Point FFT,  $f_{\text{SAMPL}} = 550\text{kpsps}$ . Circuit Shown in Figure 6a

APPLICATIONS INFORMATION

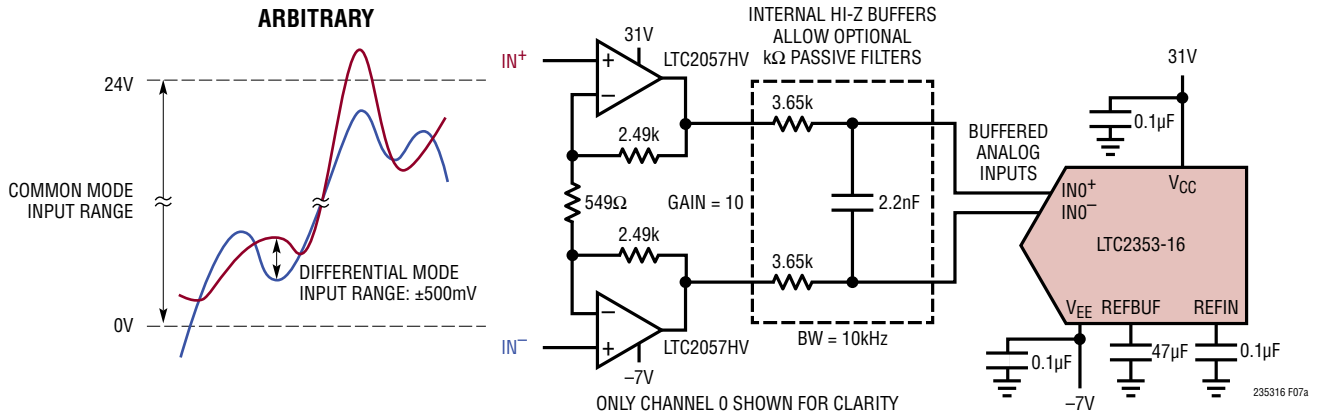


Figure 7a. Amplify Differential Signals with Gain of 10 Over a Wide Common Mode Range with Buffered Analog Inputs

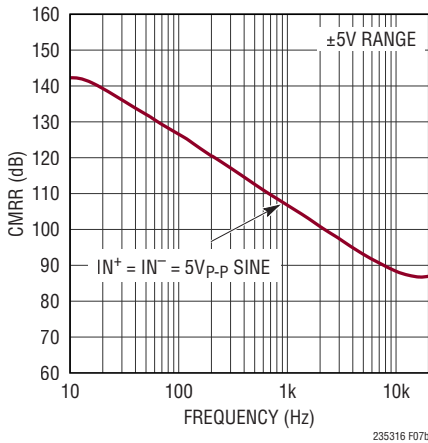


Figure 7b. CMRR vs Input Frequency. Circuit Shown in Figure 7a

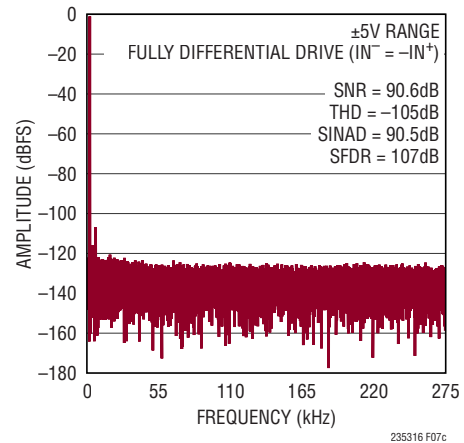
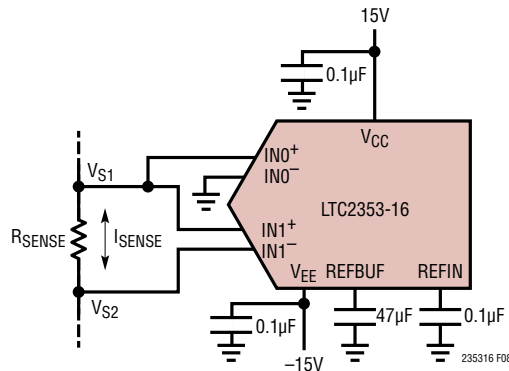


Figure 7c.  $IN^+/IN^- = 450\text{mV}$  200Hz Fully Differential Sine,  $0\text{V} \leq V_{\text{CM}} \leq 24\text{V}$ , 32k Point FFT,  $f_{\text{SMPL}} = 550\text{kpsps}$ . Circuit Shown in Figure 7a



$$I_{\text{SENSE}} = \frac{V_{S1} - V_{S2}}{R_{\text{SENSE}}} \quad \begin{matrix} -10.24\text{V} \leq V_{S1} \leq 10.24\text{V} \\ -10.24\text{V} \leq V_{S2} \leq 10.24\text{V} \end{matrix}$$

Figure 8. Simultaneously Sense Voltage (CH0) and Current (CH1) Over a Wide Common Mode Range



## APPLICATIONS INFORMATION

### ADC REFERENCE

As shown previously in Table 1b, the LTC2353-16 supports three reference configurations. The first uses both the internal bandgap reference and reference buffer. The second externally overdrives the internal reference but retains the internal buffer, which isolates the external reference from ADC conversion transients. This configuration is ideal for sharing a single precision external reference across multiple ADCs. The third disables the internal buffer and overdrives the REFBUF pin externally.

#### Internal Reference with Internal Buffer

The LTC2353-16 has an on-chip, low noise, low drift (20ppm/°C maximum), temperature compensated bandgap reference that is factory trimmed to 2.048V. The reference output connects through a 20kΩ resistor to the REFIN pin, which serves as the input to the on-chip reference buffer, as shown in Figure 9a. When employing the internal bandgap reference, the REFIN pin should be bypassed to GND (Pin 20) close to the pin with a 0.1μF ceramic capacitor to filter wideband noise. The reference buffer amplifies  $V_{REFIN}$  to create the converter master reference voltage  $V_{REFBUF} = 2 \cdot V_{REFIN}$  on the REFBUF pin, nominally 4.096V when using the internal bandgap reference. Bypass REFBUF to GND (Pin 20) close to the pin with at least a 47μF ceramic capacitor (X7R, 10V, 1210 size or X5R, 10V, 0805 size) to compensate the reference buffer, absorb transient conversion currents, and minimize noise.

#### External Reference with Internal Buffer

If more accuracy and/or lower drift is desired, REFIN can be easily overdriven by an external reference since 20kΩ of resistance separates the internal bandgap reference output from the REFIN pin, as shown in Figure 9b. The valid range of external reference voltage overdrive on the REFIN pin is 1.25V to 2.2V, resulting in converter master reference voltages  $V_{REFBUF}$  between 2.5V and 4.4V, respectively. Analog Devices offers a portfolio of high performance references designed to meet the needs of many applications. With its small size, low power, and high accuracy, the LTC6655-2.048 is well suited for use with the LTC2353-16 when overdriving the internal reference. The

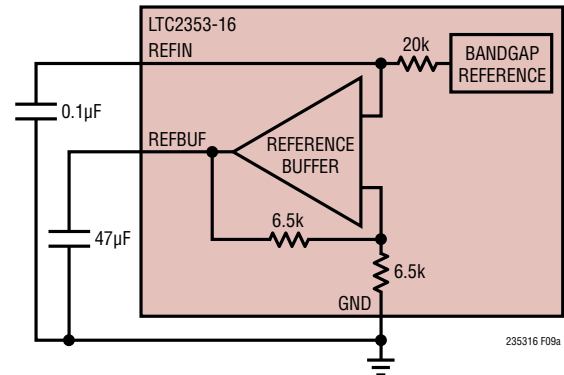


Figure 9a. Internal Reference with Internal Buffer Configuration

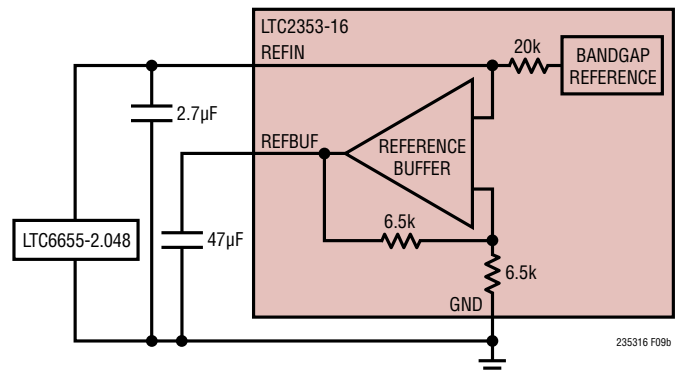


Figure 9b. External Reference with Internal Buffer Configuration

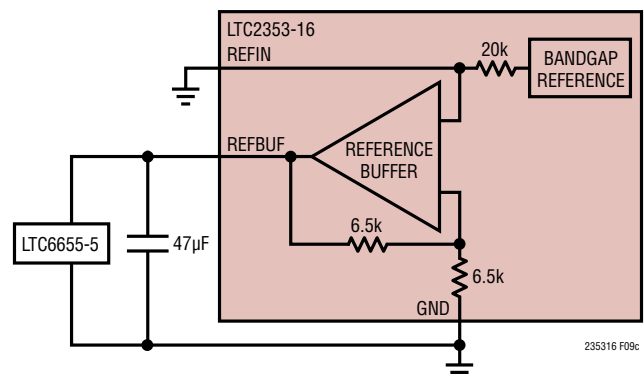


Figure 9c. External Reference with Disabled Internal Buffer Configuration

## APPLICATIONS INFORMATION

LTC6655-2.048 offers 0.025% (maximum) initial accuracy and 2ppm/°C (maximum) temperature coefficient for high precision applications. The LTC6655-2.048 is fully specified over the H-grade temperature range, complementing the extended temperature range of the LTC2353-16 up to 125°C. Bypassing the LTC6655-2.048 with a 2.7μF to 100μF ceramic capacitor close to the REFIN pin is recommended.

### External Reference with Disabled Internal Buffer

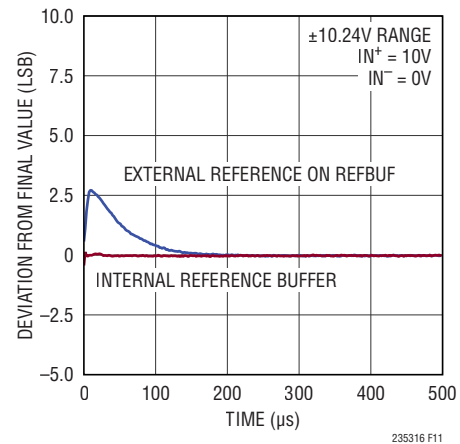
The internal reference buffer supports  $V_{\text{REFBUF}} = 4.4\text{V}$  maximum. By grounding REFIN, the internal buffer may be disabled allowing REFBUF to be overdriven with an external reference voltage between 2.5V and 5V, as shown in Figure 9c. Maximum input signal swing and SNR are achieved by overdriving REFBUF using an external 5V reference. The buffer feedback resistors load the REFBUF pin with 13kΩ even when the reference buffer is disabled. The LTC6655-5 offers the same small size, accuracy, drift, and extended temperature range as the LTC6655-2.048, and achieves a typical SNR of 94.8dB when paired with the LTC2353-16. Bypass the LTC6655-5 to GND (Pin 20) close to the REFBUF pin with at least a 47μF ceramic capacitor (X7R, 10V, 1210 size or X5R, 10V, 0805 size) to absorb transient conversion currents and minimize noise.

The LTC2353-16 converter draws a charge ( $Q_{\text{CONV}}$ ) from the REFBUF pin during each conversion cycle. On short time scales most of this charge is supplied by the external REFBUF bypass capacitor, but on longer time scales all of the charge is supplied by either the reference buffer, or when the internal reference buffer is disabled, the external reference. This charge draw corresponds to a DC current equivalent of  $I_{\text{REFBUF}} = Q_{\text{CONV}} \cdot f_{\text{SMPL}}$ , which is proportional to sample rate. In applications where a burst of samples is taken after idling for long periods of time, as shown in Figure 10,  $I_{\text{REFBUF}}$  quickly transitions from approximately 0.4mA to 1.2mA ( $V_{\text{REFBUF}} = 5\text{V}$ ,  $f_{\text{SMPL}} = 550\text{ksps}$ ). This

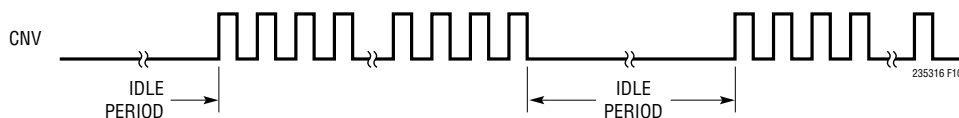
current step triggers a transient response in the external reference that must be considered, since any deviation in  $V_{\text{REFBUF}}$  affects converter accuracy. If an external reference is used to overdrive REFBUF, the fast settling LTC6655 family of references is recommended.

### Internal Reference Buffer Transient Response

For optimum performance in applications employing burst sampling, the external reference with internal reference buffer configuration should be used. The internal reference buffer incorporates a proprietary design that minimizes movements in  $V_{\text{REFBUF}}$  when responding to a burst of conversions following an idle period. Figure 11 compares the burst conversion response of the LTC2353-16 with an input near full scale for two reference configurations. The first configuration employs the internal reference buffer with REFIN externally overdriven by an LTC6655-2.048, while the second configuration disables the internal reference buffer and overdrives REFBUF with an external LTC6655-4.096. In both cases REFBUF is bypassed to GND with a 47μF ceramic capacitor.



**Figure 11. Burst Conversion Response of the LTC2353-16,  $f_{\text{SMPL}} = 550\text{ksps}$**



**Figure 10. CNV Waveform Showing Burst Sampling**

## APPLICATIONS INFORMATION

### DYNAMIC PERFORMANCE

Fast Fourier transform (FFT) techniques are used to test the ADC's frequency response, distortion, and noise at the rated throughput. By applying a low distortion sine wave and analyzing the digital output using an FFT algorithm, the ADC's spectral content can be examined for frequencies outside the fundamental. The LTC2353-16 provides guaranteed tested limits for both AC distortion and noise measurements.

#### Signal-to-Noise and Distortion Ratio (SINAD)

The signal-to-noise and distortion ratio (SINAD) is the ratio between the RMS amplitude of the fundamental input frequency and the RMS amplitude of all other frequency components at the A/D output. The output is band-limited to frequencies below half the sampling frequency, excluding DC. Figure 12 shows that the LTC2353-16 achieves a typical SINAD of 94.1dB in the  $\pm 10.24\text{V}$  range at a 550kps sampling rate with a true bipolar 2kHz input signal.

#### Signal-to-Noise Ratio (SNR)

The signal-to-noise ratio (SNR) is the ratio between the RMS amplitude of the fundamental input frequency and the RMS amplitude of all other frequency components except the first five harmonics and DC. Figure 12 shows that the LTC2353-16 achieves a typical SNR of 94.2dB in the  $\pm 10.24\text{V}$  range at a 550kps sampling rate with a true bipolar 2kHz input signal.

#### Total Harmonic Distortion (THD)

Total harmonic distortion (THD) is the ratio of the RMS sum of all harmonics of the input signal to the fundamental itself. The out-of-band harmonics alias into the frequency band between DC and half the sampling frequency ( $f_{\text{SAMPL}}/2$ ). THD is expressed as:

$$\text{THD} = 20 \log \frac{\sqrt{V_2^2 + V_3^2 + V_4^2 \dots V_N^2}}{V_1}$$

where  $V_1$  is the RMS amplitude of the fundamental frequency and  $V_2$  through  $V_N$  are the amplitudes of the second

through Nth harmonics, respectively. Figure 12 shows that the LTC2353-16 achieves a typical THD of  $-112\text{dB}$  ( $N = 6$ ) in the  $\pm 10.24\text{V}$  range at a 550kps sampling rate with a true bipolar 2kHz input signal.

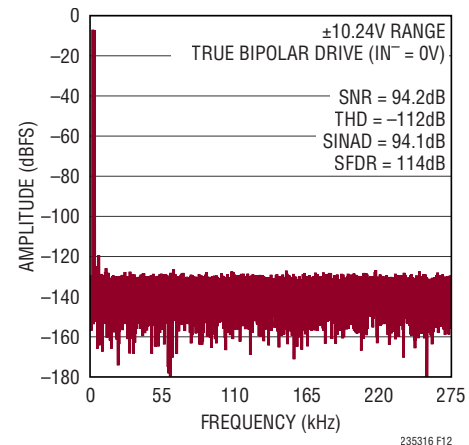


Figure 12. 32k Point FFT  $f_{\text{SAMPL}} = 550\text{kps}$ ,  $f_{\text{IN}} = 2\text{kHz}$

### POWER CONSIDERATIONS

The LTC2353-16 requires four power supplies: the positive and negative high voltage power supplies ( $V_{\text{CC}}$  and  $V_{\text{EE}}$ ), the 5V core power supply ( $V_{\text{DD}}$ ) and the digital input/output interface power supply ( $OV_{\text{DD}}$ ). As long as the voltage difference limits of  $10\text{V} \leq V_{\text{CC}} - V_{\text{EE}} \leq 38\text{V}$  are observed,  $V_{\text{CC}}$  and  $V_{\text{EE}}$  may be independently biased anywhere within their own individual allowed operating ranges, including the ability for  $V_{\text{EE}}$  to be tied directly to ground. This feature enables the common mode input range of the LTC2353-16 to be tailored to the specific application's requirements. The flexible  $OV_{\text{DD}}$  supply allows the LTC2353-16 to communicate with CMOS logic operating between 1.8V and 5V, including 2.5V and 3.3V systems. When using LVDS I/O mode, the range of  $OV_{\text{DD}}$  is 2.375V to 5.25V.

#### Power Supply Sequencing

The LTC2353-16 does not have any specific power supply sequencing requirements. Care should be taken to adhere to the maximum voltage relationships described in the Absolute Maximum Ratings section. The LTC2353-16 has

## APPLICATIONS INFORMATION

an internal power-on-reset (POR) circuit which resets the converter on initial power-up and whenever  $V_{DD}$  drops below 2V. Once the supply voltage re-enters the nominal supply voltage range, the POR reinitializes the ADC. No conversions should be initiated until at least 10ms after a POR event to ensure the initialization period has ended. When employing the internal reference buffer, allow 200ms for the buffer to power up and recharge the REFBUF bypass capacitor. Any conversion initiated before these times will produce invalid results.

### TIMING AND CONTROL

#### CNV Timing

The LTC2353-16 sampling and conversion is controlled by CNV. A rising edge on CNV transitions both channels' S/H circuits from track mode to hold mode, simultaneously sampling the input signals on both channels and initiating a conversion. Once a conversion has been started, it cannot be terminated early except by resetting the ADC, as discussed in the Reset Timing section. For optimum performance, drive CNV with a clean, low jitter signal and avoid transitions on data I/O lines leading up to the rising edge of CNV. Additionally, to minimize channel-to-channel crosstalk, avoid high slew rates on the analog inputs for 100ns before and after the rising edge of CNV. Converter status is indicated by the BUSY output, which transitions low-to-high at the start of each conversion and stays high until the conversion is complete. Once CNV is brought high to begin a conversion, it should be returned low between 40ns and 60ns later or after the falling edge of BUSY to

minimize external disturbances during the internal conversion process. The CNV timing required to take advantage of the reduced power nap mode of operation is described in the Nap Mode section.

#### Internal Conversion Clock

The LTC2353-16 has an internal clock that is trimmed to achieve a maximum conversion time of  $550 \cdot N$  ns with N channels enabled. With a minimum acquisition time of 685ns when converting both channels simultaneously, throughput performance of 550ksps is guaranteed without any external adjustments. Also note that the minimum acquisition time varies with sampling frequency ( $f_{SMPL}$ ) and the number of enabled channels.

#### Nap Mode

The LTC2353-16 can be placed into nap mode after a conversion has been completed to reduce power consumption between conversions. In this mode a portion of the device circuitry is turned off, including circuits associated with sampling the analog input signals. Nap mode is enabled by keeping CNV high between conversions, as shown in Figure 13. To initiate a new conversion after entering nap mode, bring CNV low and hold for at least 750ns before bringing it high again. The converter acquisition time ( $t_{ACQ}$ ) is set by the CNV low time ( $t_{CNVL}$ ) when using nap mode.

#### Power Down Mode

When PD is brought high, the LTC2353-16 is powered down and subsequent conversion requests are ignored. If this occurs during a conversion, the device powers down

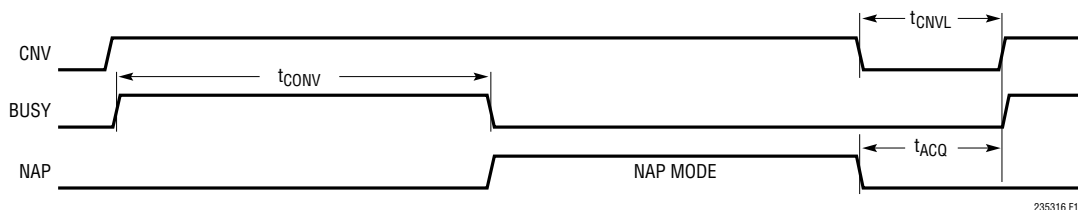


Figure 13. Nap Mode Timing for the LTC2353-16

## APPLICATIONS INFORMATION

once the conversion completes. In this mode, the device draws only a small regulator standby current resulting in a typical power dissipation of 0.60mW. To exit power down mode, bring the PD pin low and wait at least 10ms before initiating a conversion. When employing the internal reference buffer, allow 200ms for the buffer to power up and recharge the REFBUF bypass capacitor. Any conversion initiated before these times will produce invalid results.

### Reset Timing

A global reset of the LTC2353-16, equivalent to a power-on-reset event, may be executed without needing to cycle the supplies. This feature is useful when recovering from system-level events that require the state of the entire system to be reset to a known synchronized value. To initiate a global reset, bring PD high twice without an intervening conversion, as shown in Figure 14. The reset event is triggered on the second rising edge of PD, and asynchronously ends based on an internal timer. Reset clears all serial data output registers and restores the internal SoftSpan configuration register default state of all channels in SoftSpan 7. If reset is triggered during a conversion, the conversion is immediately halted. The normal power down behavior associated with PD going high is not affected by reset. Once PD is brought low, wait at least 10ms before initiating a conversion. When employing the internal reference buffer, allow 200ms for the buffer to power up and recharge the REFBUF bypass capacitor. Any conversion initiated before these times will produce invalid results.

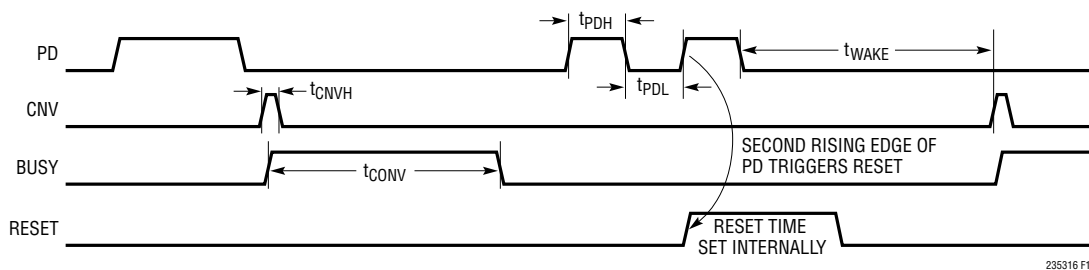


Figure 14. Reset Timing for the LTC2353-16

### Power Dissipation vs Sampling Frequency

When nap mode is employed, the power dissipation of the LTC2353-16 decreases as the sampling frequency is reduced, as shown in Figure 15. This decrease in average power dissipation occurs because a portion of the LTC2353-16 circuitry is turned off during nap mode, and the fraction of the conversion cycle ( $t_{CYC}$ ) spent napping increases as the sampling frequency ( $f_{SAMPL}$ ) is decreased.

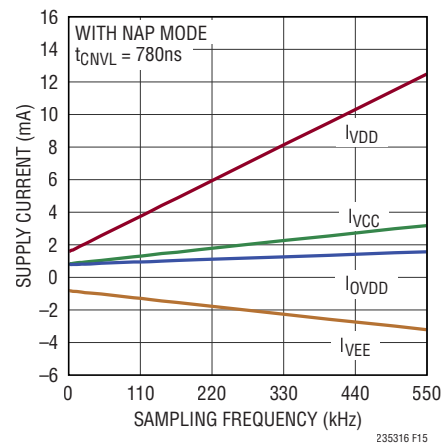


Figure 15. Power Dissipation of the LTC2353-16 Decreases with Decreasing Sampling Frequency

### DIGITAL INTERFACE

The LTC2353-16 features CMOS and LVDS serial interfaces, selectable using the LVDS/CMOS pin. The flexible  $OV_{DD}$  supply allows the LTC2353-16 to communicate with any CMOS logic operating between 1.8V and 5V, including 2.5V and 3.3V systems, while the LVDS interface supports low noise digital designs. In CMOS mode, applications may employ either one or two lanes of serial data

## APPLICATIONS INFORMATION

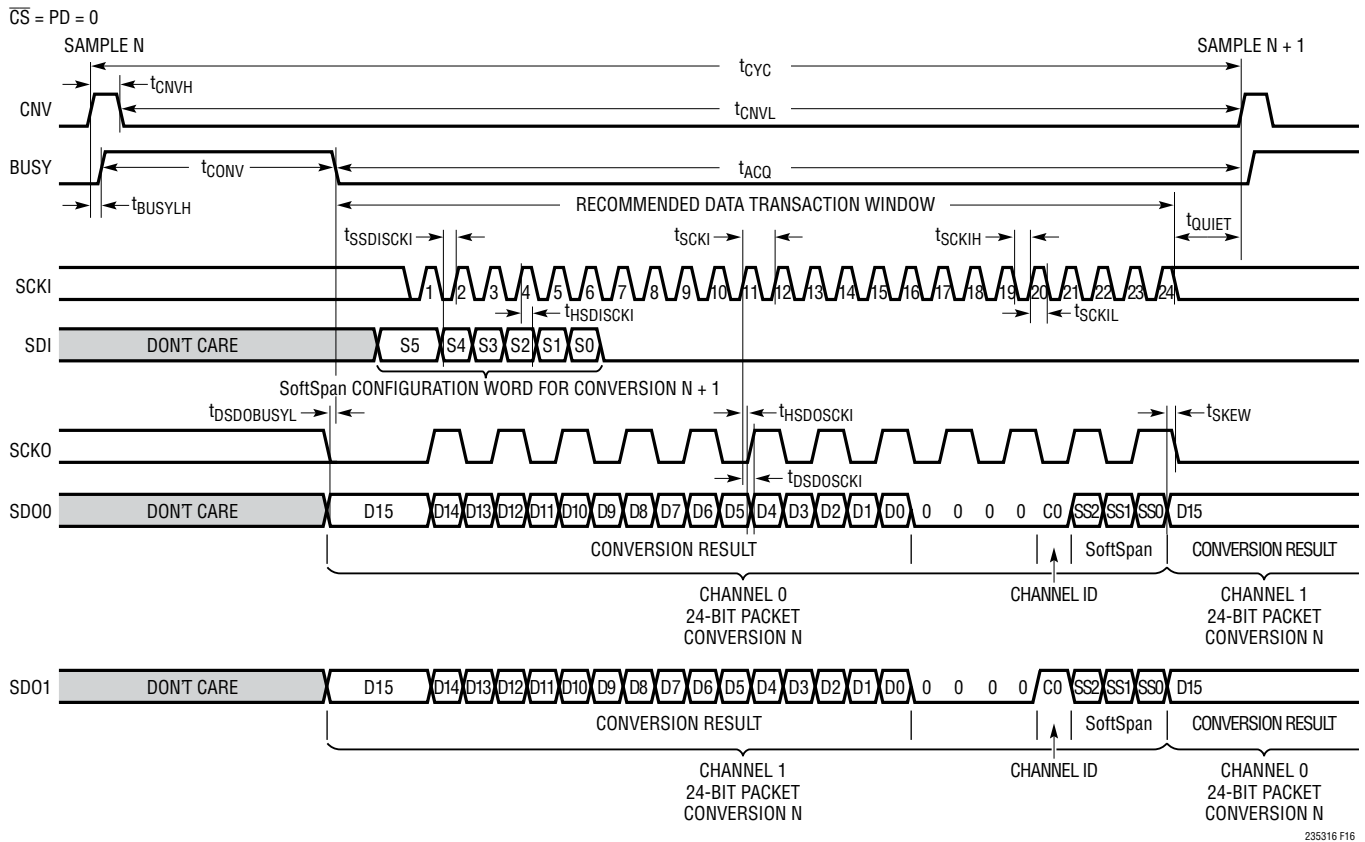


Figure 16. Serial CMOS I/O Mode

output, allowing the user to optimize bus width and data throughput. Together, these I/O interface options enable the LTC2353-16 to communicate equally well with legacy microcontrollers and modern FPGAs.

### Serial CMOS I/O Mode

As shown in Figure 16, in CMOS I/O mode the serial data bus consists of a serial clock input, SCKI, serial data input, SDI, serial clock output, SCKO, and two lanes of serial data output, SDO0 and SDO1. Communication with the LTC2353-16 across this bus occurs during predefined data transaction windows. Within a window, the device accepts 6-bit SoftSpan configuration words for the next conversion on SDI and outputs 24-bit packets containing conversion results and channel configuration information from the previous conversion on SDO0 and SDO1. New data transaction windows open 10ms after powering up

or resetting the LTC2353-16, and at the end of each conversion on the falling edge of BUSY. In the recommended use case, the data transaction should be completed with a minimum  $t_{QUIET}$  time of 20ns prior to the start of the next conversion, as shown in Figure 16. New SoftSpan configuration words are only accepted within this recommended data transaction window, but SoftSpan changes take effect immediately with no additional analog input settling time required before starting the next conversion. It is still possible to read conversion data after starting the next conversion, but this will degrade conversion accuracy and therefore is not recommended.

Just prior to the falling edge of BUSY and the opening of a new data transaction window, SCKO is forced low and SDO0 and SDO1 are updated with the latest conversion results from analog input channels 0 and 1, respectively. Rising edges on SCKI serially clock conversion results

## APPLICATIONS INFORMATION

and analog input channel configuration information out on SDO0 and SDO1 and trigger transitions on SCK0 that are skew-matched to the data on SDO0 and SDO1. The resulting SCK0 frequency is half that of SCK1. SCK1 rising edges also latch SoftSpan configuration words provided on SDI, which are used to program the internal 6-bit SoftSpan configuration register. See the section Programming the SoftSpan Configuration Register in CMOS I/O Mode for further details. SCK1 is allowed to idle either high or low in CMOS I/O mode. As shown in Figure 17, the CMOS bus is enabled when  $\overline{CS}$  is low and is disabled and Hi-Z when  $\overline{CS}$  is high, allowing the bus to be shared across multiple devices.

The data on SDO0 and SDO1 are grouped into 24-bit packets consisting of a 16-bit conversion result followed by four zeros, 1-bit analog channel ID, and 3-bit SoftSpan code, all presented MSB first. As suggested in Figures 16 and 17, each SDO lane outputs these packets for both analog input channels in a sequential, alternating manner. For example, SDO0 first outputs the 24-bit packet corresponding to analog input channel 0, then outputs the

packet for channel 1, then continues to alternate between packets for channels 0 and 1. Likewise, SDO1 has the same alternating pattern as SDO0, but starting with the output for channel 1.

When interfacing the LTC2353-16 with a standard SPI bus, capture output data at the receiver on rising edges of SCK1. SCK0 is not used in this case. Multiple SDO lanes are also usually not useful in this case. In other applications, such as interfacing the LTC2353-16 with an FPGA or CPLD, rising and falling edges of SCK0 may be used to capture serial output data on SDO0 and SDO1 in double data rate (DDR) fashion. Capturing data using SCK0 adds robustness to delay variations over temperature and supply.

### Two Lane Serial CMOS Output Data Capture

As shown in Table 2, full 550ksp/s per channel throughput can be achieved with a 25MHz SCK1 frequency by capturing the first packet (24 SCK1 cycles total) from both serial data output lanes (SDO0 and SDO1). This configuration also allows conversion results from both channels to be captured using as few as 16 SCK1 cycles if the 1-bit analog channel ID and 3-bit SoftSpan code are not needed. Two

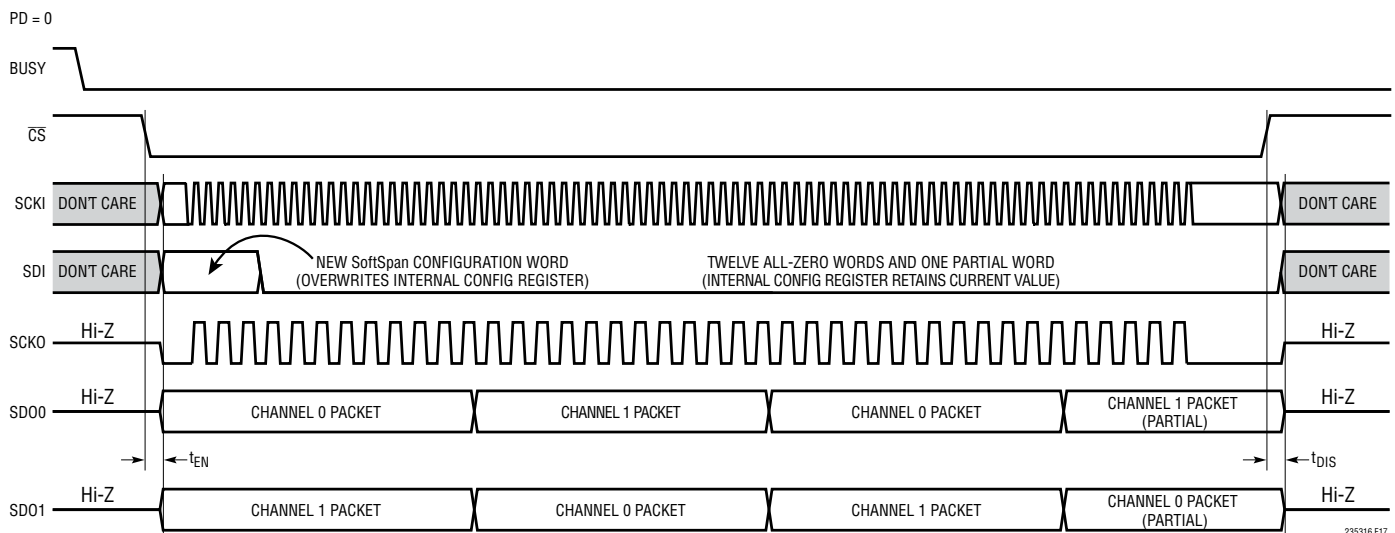


Figure 17. Internal SoftSpan Configuration Register Behavior. Serial CMOS Bus Response to  $\overline{CS}$

## APPLICATIONS INFORMATION

lane data capture is usually best suited for use with FPGA or CPLD capture hardware, but may be useful in other application-specific cases.

### One Lane Serial CMOS Output Data Capture

Applications that cannot accommodate two lanes of serial data capture may employ just one lane without reconfiguring the LTC2353-16. For example, capturing two packets (48 SCKI cycles total) from SDO0 or SDO1 provides data for both analog input channels. As shown in Table 2, full 550ksps per channel throughput can be achieved with a 74MHz SCKI frequency in the one lane case. The LTC2353-16 supports CMOS SCKI frequencies up to 100MHz.

### Programming the SoftSpan Configuration Register in CMOS I/O Mode

The internal 6-bit SoftSpan configuration register controls the SoftSpan range for both analog input channels of the LTC2353-16. The default state of this register after power-up or resetting the device is all ones, configuring both

channels to convert in SoftSpan 7, the  $\pm 2.5 \cdot V_{REFBUF}$  range (see Table 1a). The state of this register may be modified by providing a new 6-bit SoftSpan configuration word on SDI during the data transaction window shown in Figure 16. New SoftSpan configuration words are only accepted within this recommended data transaction window, but SoftSpan changes take effect immediately with no additional analog input settling time required before starting the next conversion. Setting a channel's SoftSpan code to SS[2:0] = 000 immediately disables the channel, resulting in a corresponding reduction in  $t_{CONV}$  on the next conversion. Similarly, enabling a previously disabled channel requires no additional analog input settling time before starting the next conversion. The mapping between the serial SoftSpan configuration word, the internal SoftSpan configuration register, and each channel's 3-bit SoftSpan code is illustrated in Figure 18.

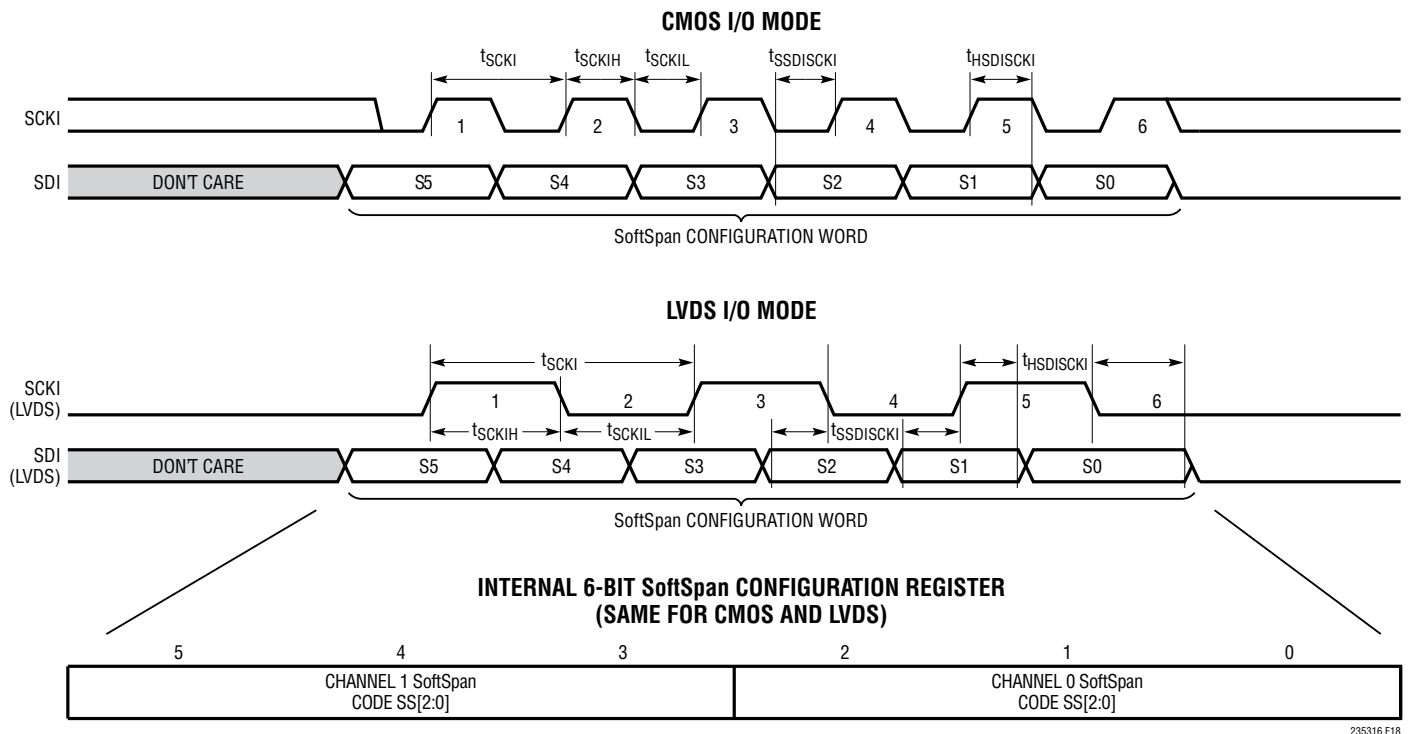
If fewer than 6 SCKI rising edges are provided during a data transaction window, the partial word received on SDI will be ignored and the SoftSpan configuration register will

**Table 2. Required SCKI Frequency to Achieve Various Throughputs in Common Output Bus Configurations with Two Channels Enabled. Shaded Entries Denote Throughputs That Are Not Achievable in a Given Configuration. Calculated Using  $f_{SCKI} = (\text{Number of SCKI Cycles}) / (t_{ACQ(MIN)} - t_{QUIET})$**

I/O MODE	NUMBER OF SDO LANES	NUMBER OF SCKI CYCLES	REQUIRED $f_{SCKI}$ (MHz) TO ACHIEVE THROUGHPUT OF		
			550ksps/CHANNEL ( $t_{ACQ} = 685\text{ns}$ )	275ksps/CHANNEL ( $t_{ACQ} = 2500\text{ns}$ )	137ksps/CHANNEL ( $t_{ACQ} = 6130\text{ns}$ )
CMOS	2	16	25	7	3
	2	24	37	10	4
	1	48	74	20	8
LVDS	1	24	37 (74Mbps)	10 (20Mbps)	4 (8Mbps)



## APPLICATIONS INFORMATION



**Figure 18. Mapping Between Serial SoftSpan Configuration Word, Internal SoftSpan Configuration Register, and SoftSpan Code for Each Analog Input Channel**

not be updated. If exactly 6 SCKI rising edges are provided, the SoftSpan configuration register will be updated to match the received SoftSpan configuration word, S[5:0]. The one exception to this behavior occurs when S[5:0] is all zeros. In this case, the SoftSpan configuration register will not be updated, allowing applications to retain the current SoftSpan configuration state by idling SDI low. If more than 6 SCKI rising edges are provided during a data transaction window, each complete 6-bit word received on SDI will be interpreted as a new SoftSpan configuration word and applied to the SoftSpan configuration register as described above. Any partial words are ignored.

Typically, applications will update the SoftSpan configuration register in the manner shown in Figures 16 and 17. After the opening of a new data transaction window at the falling edge of BUSY, the user supplies a 6-bit SoftSpan configuration word on SDI during the first 6 SCKI cycles.

This new word overwrites the internal configuration register contents following the 6th SCKI rising edge. The user then holds SDI low for the remainder of the data transaction window causing the register to retain its contents regardless of the number of additional SCKI cycles applied. SoftSpan settings may be retained across multiple conversions by holding SDI low for the entire data transaction window, regardless of the number of SCKI cycles applied.

### Serial LVDS I/O Mode

In LVDS I/O mode, information is transmitted using positive and negative signal pairs (LVDS<sup>+</sup>/LVDS<sup>-</sup>) with bits differentially encoded as (LVDS<sup>+</sup> – LVDS<sup>-</sup>). These signals are typically routed using differential transmission lines with 100Ω characteristic impedance. Logical 1's and 0's are nominally represented by differential +350mV and –350mV, respectively. For clarity, all LVDS timing diagrams

## APPLICATIONS INFORMATION

and interface discussions adopt the logical rather than physical convention.

As shown in Figure 19, in LVDS I/O mode the serial data bus consists of a serial clock differential input, SCKI, serial data differential input, SDI, serial clock differential output, SCKO, and serial data differential output, SDO. Communication with the LTC2353-16 across this bus occurs during predefined data transaction windows. Within a window, the device accepts 6-bit SoftSpan configuration words for the next conversion on SDI and outputs 24-bit packets containing conversion results and channel configuration information from the previous conversion on SDO. New data transaction windows open 10ms after powering up or resetting the LTC2353-16, and at the end of each conversion on the falling edge of BUSY. In the recommended use case, the data transaction should be completed with a minimum  $t_{\text{QUIET}}$  time of 20ns prior to the start of the next conversion, as shown in Figure 19. New SoftSpan configuration words are only accepted within this recom-

mended data transaction window, but SoftSpan changes take effect immediately with no additional analog input settling time required before starting the next conversion. It is still possible to read conversion data after starting the next conversion, but this will degrade conversion accuracy and therefore is not recommended.

Just prior to the falling edge of BUSY and the opening of a new data transaction window, SDO is updated with the latest conversion results from analog input channel 0. Both rising and falling edges on SCKI serially clock conversion results and analog input channel configuration information out on SDO. SCKI is also echoed on SCKO, skew-matched to the data on SDO. Whenever possible, it is recommended that rising and falling edges of SCKO be used to capture DDR serial output data on SDO, as this will yield the best robustness to delay variations over supply and temperature. SCKI rising and falling edges also latch SoftSpan configuration words provided on SDI, which are used to program the internal 6-bit SoftSpan configuration register.

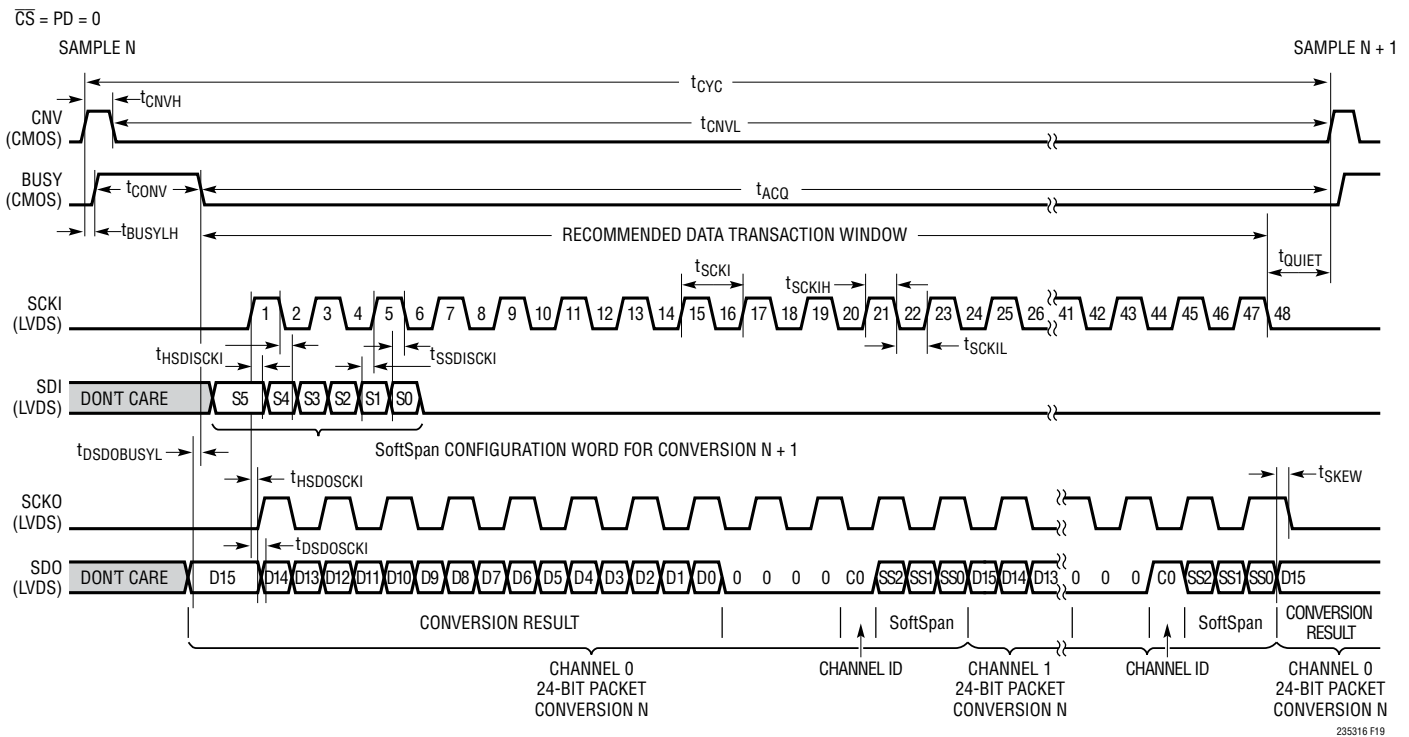


Figure 19. Serial LVDS I/O Mode

## APPLICATIONS INFORMATION

See the section Programming the SoftSpan Configuration Register in LVDS I/O Mode for further details. As shown in Figure 20, the LVDS bus is enabled when  $\overline{\text{CS}}$  is low and is disabled and Hi-Z when  $\overline{\text{CS}}$  is high, allowing the bus to be shared across multiple devices. Due to the high speeds involved in LVDS signaling, LVDS bus sharing must be carefully considered. Transmission line limitations imposed by the shared bus may limit the maximum achievable bus clock speed. LVDS inputs are internally terminated with a  $100\Omega$  differential resistor when  $\overline{\text{CS}}$  is low, while outputs must be differentially terminated with a  $100\Omega$  resistor at the receiver (FPGA). SCKI must idle in the low state in LVDS I/O mode, including when transitioning  $\overline{\text{CS}}$ .

The data on SDO are grouped into 24-bit packets consisting of a 16-bit conversion result followed by four zeros, 1-bit analog channel ID, and 3-bit SoftSpan code, all presented MSB first. As suggested in Figures 19 and 20, SDO outputs these packets for both analog input channels in a sequential, alternating manner. For example, SDO first outputs the 24-bit packet corresponding to analog input channel

0, then outputs the packet for channel 1, then continues to alternate between packets for channels 0 and 1.

### Serial LVDS Output Data Capture

As shown in Table 2, full 550ksps per channel throughput can be achieved with a 37MHz SCKI frequency by capturing two packets (24 SCKI cycles total) of DDR data from SDO. The LTC2353-16 supports LVDS SCKI frequencies up to 250MHz.

### Programming the SoftSpan Configuration Register in LVDS I/O Mode

The internal 6-bit SoftSpan configuration register controls the SoftSpan range for both analog input channels of the LTC2353-16. The default state of this register after power-up or resetting the device is all ones, configuring both channels to convert in SoftSpan 7, the  $\pm 2.5 \cdot V_{\text{REFBUF}}$  range (see Table 1a). The state of this register may be modified by providing a new 6-bit SoftSpan configuration word on SDI during the data transaction window shown

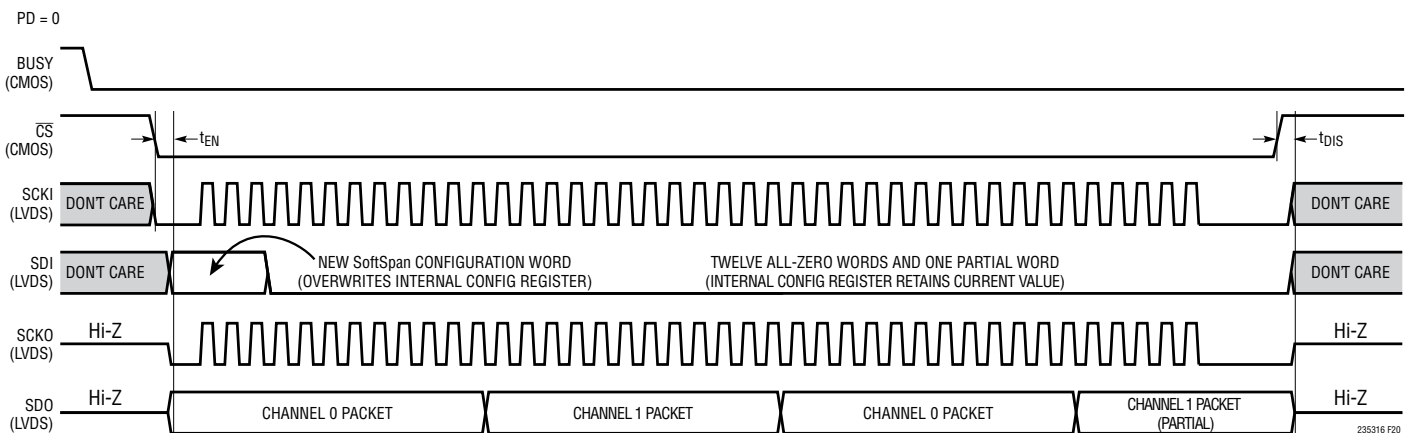


Figure 20. Internal SoftSpan Configuration Register Behavior. Serial LVDS Bus Response to  $\overline{\text{CS}}$

## APPLICATIONS INFORMATION

in Figure 19. New SoftSpan configuration words are only accepted within this recommended data transaction window, but SoftSpan changes take effect immediately with no additional analog input settling time required before starting the next conversion. Setting a channel's SoftSpan code to  $SS[2:0] = 000$  immediately disables the channel, resulting in a corresponding reduction in  $t_{CONV}$  on the next conversion. Similarly, enabling a previously disabled channel requires no additional analog input settling time before starting the next conversion. The mapping between the serial SoftSpan configuration word, the internal SoftSpan configuration register, and each channel's 3-bit SoftSpan code is illustrated in Figure 18.

If fewer than 6 SCKI edges (rising plus falling) are provided during a data transaction window, the partial word received on SDI will be ignored and the SoftSpan configuration register will not be updated. If exactly 6 SCKI edges are provided, the SoftSpan configuration register will be updated to match the received SoftSpan configuration word,  $S[5:0]$ . The one exception to this behavior occurs when  $S[5:0]$  is all zeros. In this case, the SoftSpan configura-

tion register will not be updated, allowing applications to retain the current SoftSpan configuration state by idling SDI low. If more than 6 SCKI edges are provided during a data transaction window, each complete 6-bit word received on SDI will be interpreted as a new SoftSpan configuration word and applied to the SoftSpan configuration register as described above. Any partial words are ignored.

Typically, applications will update the SoftSpan configuration register in the manner shown in Figures 19 and 20. After the opening of a new data transaction window at the falling edge of BUSY, the user supplies a 6-bit DDR SoftSpan configuration word on SDI during the first 3 SCKI cycles. This new word overwrites the internal configuration register contents following the 3<sup>rd</sup> SCKI falling edge. The user then holds SDI low for the remainder of the data transaction window causing the register to retain its contents regardless of the number of additional SCKI cycles applied. SoftSpan settings may be retained across multiple conversions by holding SDI low for the entire data transaction window, regardless of the number of SCKI cycles applied.

## BOARD LAYOUT

To obtain the best performance from the LTC2353-16, a four-layer printed circuit board (PCB) is recommended. Layout for the PCB should ensure the digital and analog signal lines are separated as much as possible. In particular, care should be taken not to run any digital clocks or signals alongside analog signals or underneath the ADC. Also minimize the length of the REFBUF to GND (Pin 20) bypass capacitor return loop, and avoid routing CNV near signals which could potentially disturb its rising edge.

Supply bypass capacitors should be placed as close as possible to the supply pins. Low impedance common returns for these bypass capacitors are essential to the low noise operation of the ADC. A single solid ground plane is recommended for this purpose. When possible, screen the analog input traces using ground.

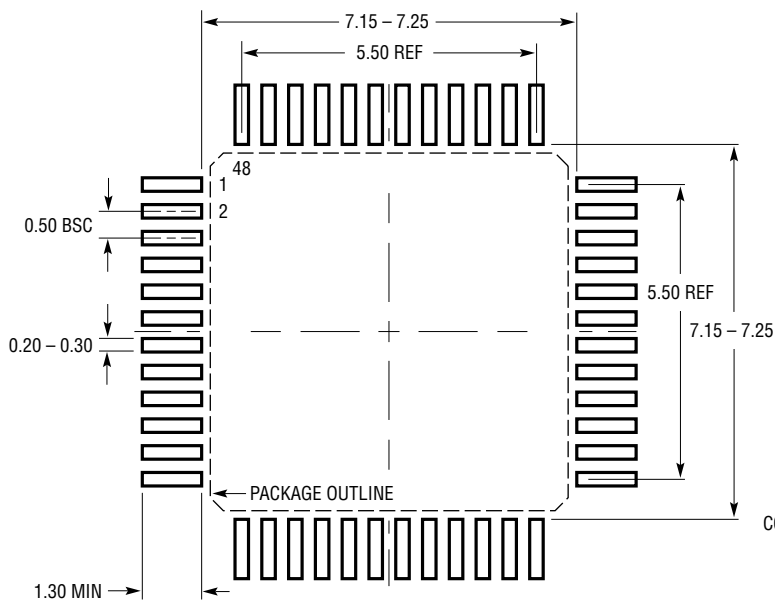
### Reference Design

For a detailed look at the reference design for this converter, including schematics and PCB layout, please refer to [DC2365](#), the evaluation kit for the LTC2353-16.

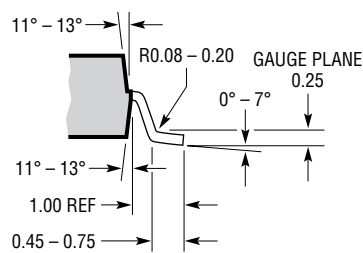
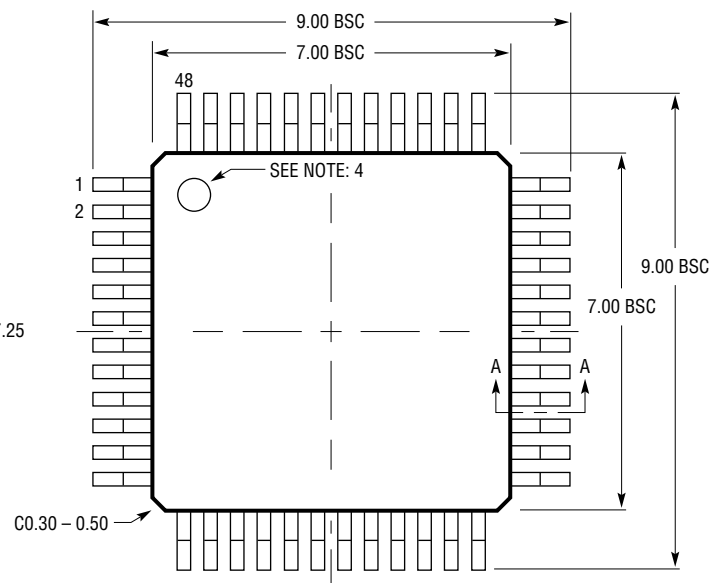
# PACKAGE DESCRIPTION

Please refer to <http://www.linear.com/product/LTC2353-16#packaging> for the most recent package drawings.

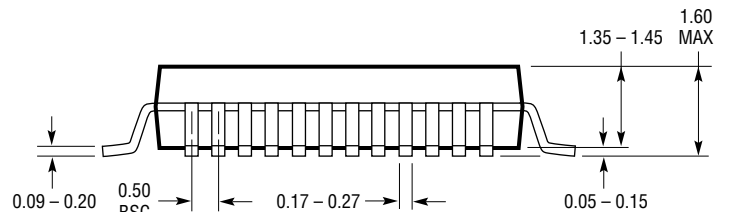
## LX Package 48-Lead Plastic LQFP (7mm × 7mm) (Reference LTC DWG # 05-08-1760 Rev A)



RECOMMENDED SOLDER PAD LAYOUT  
APPLY SOLDER MASK TO AREAS THAT ARE NOT SOLDERED

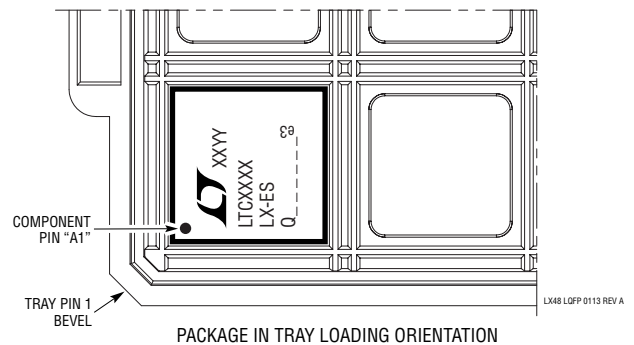


SECTION A - A



NOTE:

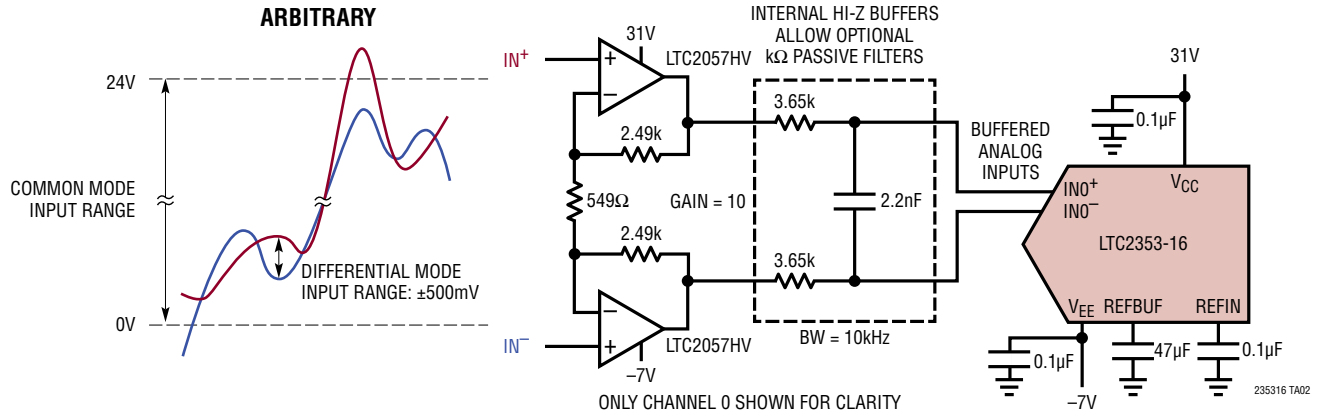
1. PACKAGE DIMENSIONS CONFORM TO JEDEC #MS-026 PACKAGE OUTLINE
2. DIMENSIONS ARE IN MILLIMETERS
3. DIMENSIONS OF PACKAGE DO NOT INCLUDE MOLD FLASH. MOLD FLASH SHALL NOT EXCEED 0.25mm ON ANY SIDE, IF PRESENT
4. PIN-1 IDENTIFIER IS A MOLDED INDENTATION, 0.50mm DIAMETER
5. DRAWING IS NOT TO SCALE



PACKAGE IN TRAY LOADING ORIENTATION

## TYPICAL APPLICATION

### Amplify Differential Signals with Gain of 10 Over a Wide Common Mode Range with Buffered Analog Inputs



## RELATED PARTS

PART NUMBER	DESCRIPTION	COMMENTS
<b>ADCs</b>		
<a href="#">LTC2358-18/LTC2358-16</a>	Buffered 18-/16-Bit, 200ksps/Ch, 8-Channel Simultaneous Sampling, $\pm 3.5\text{LSB}/\pm 1\text{LSB}$ INL ADC	Buffered $\pm 10.24\text{V}$ SoftSpan Inputs with $30\text{V}_{\text{P-P}}$ Wide Common Mode Range, 96dB/94dB SNR, Serial CMOS and LVDS I/O, 7mm $\times$ 7mm LQFP-48 Package
<a href="#">LTC2357-18/LTC2357-16</a>	Buffered 18-/16-Bit, 350ksps/Ch, 4-Channel Simultaneous Sampling, $\pm 3.5\text{LSB}/\pm 1\text{LSB}$ INL ADC	Buffered $\pm 10.24\text{V}$ SoftSpan Inputs with Wide Common Mode Range, 96dB/94dB SNR, Serial CMOS and LVDS I/O, 7mm $\times$ 7mm LQFP-48 Package
<a href="#">LTC2333-18/LTC2333-16</a>	Buffered 18-/16-Bit, 800ksps, 8-Channel Multiplexed, $\pm 3\text{LSB}/\pm 1\text{LSB}$ INL, Serial ADC	Buffered $\pm 10.24\text{V}$ SoftSpan Inputs with Wide Common Mode Range, 97dB/94dB SNR, Serial CMOS and LVDS I/O, 7mm $\times$ 7mm LQFP-48 Package
<a href="#">LTC2345-18/LTC2345-16</a>	18-/16-Bit, 200ksps/Ch, 8-Channel Simultaneous Sampling, $\pm 5\text{LSB}/\pm 1.25\text{LSB}$ INL, Serial ADC	$\pm 4.096\text{V}$ SoftSpan Inputs with Wide Common Mode Range, 92dB/91dB SNR, Serial CMOS and LVDS I/O, 7mm $\times$ 7mm QFN-48 Package
<a href="#">LTC2341-18/LTC2341-16</a>	18-/16-Bit, 666ksps/Ch, 2-Channel Simultaneous Sampling, $\pm 4\text{LSB}/\pm 1.25\text{LSB}$ INL, Serial ADC	$\pm 4.096\text{V}$ SoftSpan Inputs with Wide Common Mode Range, 95dB/93dB SNR, Serial CMOS and LVDS I/O, 5mm $\times$ 5mm QFN-32 Package
<a href="#">LTC2378-20/LTC2377-20/LTC2376-20</a>	20-Bit, 1Msps/500ksps/250ksps, $\pm 0.5\text{ppm}$ INL Serial, Low Power ADC	2.5V Supply, $\pm 5\text{V}$ Fully Differential Input, 104dB SNR, MSOP-16 and 4mm $\times$ 3mm DFN-16 Packages
<a href="#">LTC2373-18/LTC2372-18</a>	18-Bit, 1Msps/500ksps, 8-Channel, Serial ADC	5V Supply, 8-Channel Multiplexed, Configurable Input Range, 100dB SNR, DGC, 5mm $\times$ 5mm QFN-32 Package
<a href="#">LTC2387-18/LTC2387-16</a>	18-/16-Bit, 15Msps SAR ADC	5V Supply, Differential Input, 95.7/93.8dB SNR, 5mm $\times$ 5mm QFN Package
<b>DACs</b>		
<a href="#">LTC2756/LTC2757</a>	18-Bit, Serial/Parallel $I_{\text{OUT}}$ SoftSpan DAC	$\pm 1\text{LSB}$ INL/DNL, Software-Selectable Ranges, SSOP-28/7mm $\times$ 7mm LQFP-48 Package
<a href="#">LTC2668</a>	16-Channel 16-/12-Bit $\pm 10\text{V}$ $V_{\text{OUT}}$ SoftSpan DACs	$\pm 4\text{LSB}$ INL, Precision Reference 10ppm/ $^{\circ}\text{C}$ Max, 6mm $\times$ 6mm QFN-40 Package
<b>References</b>		
<a href="#">LTC6655</a>	Precision Low Drift Low Noise Buffered Reference	5V/2.5V/2.048V/1.25V, 2ppm/ $^{\circ}\text{C}$ , 0.25ppm Peak-to-Peak Noise, MSOP-8 Package
<a href="#">LT6657</a>	Precision Low Drift Low Noise Buffered Reference	5V/3V/2.5V, 1.5ppm/ $^{\circ}\text{C}$ , 0.5ppm Peak-to-Peak Noise, MSOP-8 Package
<b>Amplifiers</b>		
<a href="#">LTC2057/LTC2057HV</a>	High Voltage, Low Noise Zero-Drift Op Amp	Maximum Input Offset: 4.5 $\mu\text{V}$ , Supply Voltage Range: 4.75V to 60V
<a href="#">LT6020</a>	Dual, Micropower, 5V/ $\mu\text{s}$ , Rail-to-Rail Op Amp	Maximum Input Offset: 30 $\mu\text{V}$ , Maximum Supply Current: 100 $\mu\text{A}$ /Amplifier
<a href="#">LT1354/LT1355/LT1356</a>	Single/Dual/Quad 1mA, 12MHz, 400V/ $\mu\text{s}$ Op Amp	Good DC Precision, Stable with All Capacitive Loads

## X-ON Electronics

Largest Supplier of Electrical and Electronic Components

*Click to view similar products for [Analog to Digital Converters - ADC category](#):*

*Click to view products by [Analog Devices manufacturer](#):*

Other Similar products are found below :

[ADC0804LCD](#) [ADC0808](#) [MCP37211-200I/TE](#) [MAX15511TGTL+](#) [MCP33141-10T-E/MS](#) [MCP33141D-05T-E/MS](#) [MCP33151D-05T-E/MS](#)  
[MCP3202T-CI/MS](#) [MCP33141-05T-E/MS](#) [MCP33141D-10T-E/MS](#) [MCP33151-05T-E/MS](#) [MCP33151-10T-E/MS](#) [ADE1201ACCZ](#)  
[ADE1202ACCZ](#) [LTC1090CN](#) [LTC1605IG](#) [LTC1605AIG](#) [LTC2208IUP](#) [ADS1282HPW](#) [LTC1297DCN8](#) [LTC1741CFW](#) [MCP3422A0-](#)  
[E/MS](#) [MCP3426A2-E/MC](#) [MCP3426A3-E/MC](#) [MCP3427-E/MF](#) [TLC0820ACN](#) [TLC2543IN](#) [TLV2543IDW](#) [NCD9830DBR2G](#)  
[ADS5231IPAG](#) [ADS7807U](#) [ADS7891IPFBT](#) [ADS8328IBPW](#) [AMC1204BDWR](#) [ADS7959QDBTRQ1](#) [ADS7807UB](#) [ADS7805UB](#)  
[ADS1220IPWR](#) [MCP3426A0-E/MS](#) [MCP3423-E/UN](#) [MCP3422A0-E/MC](#) [AD9220AR](#) [MAX11123ATI+](#) [MAX11212AEUB+](#)  
[MAX11135ATI+](#) [TLV1570CDW](#) [TLC3574IDWR](#) [TLC0838CDWR](#) [AD7714ARZ-5REEL](#) [AD7914BRUZ-REEL7](#)