

Click [here](#) to ask an associate for production status of specific part numbers.

MAX16193

0.3% Accuracy Dual-Channel Supervisory Circuit

General Description

The MAX16193 is an ultra-high accuracy, dual-channel window-detector supervisor circuit that monitors a system's supply rails for undervoltage and overvoltage faults. Input channel 1 (IN1) monitors low core voltage rails from a 0.6V to 0.9V threshold range with $\pm 0.3\%$ accuracy while input-channel 2 (IN2) monitors higher system rails from a 0.9V to 3.3V threshold range with $\pm 0.3\%$ accuracy. A variety of factory trimmed undervoltage/overvoltage thresholds from $\pm 2\%$ to $\pm 5\%$ are available to accommodate different supply voltages and tolerances.

The MAX16193 features two independent, active-low reset outputs. Both reset output are available in either an open-drain or push-pull version. Each reset output asserts low when the corresponding monitored rail falls outside of the undervoltage/overvoltage threshold window. The reset outputs deassert after a factory-set reset timeout period when the corresponding rail voltage returns to its nominal voltage level.

The MAX16193 is available in a small, 2mm x 3mm, 8-pin TDFN chip-on-lead, side-wettable package and operates over the automotive temperature range of -40°C to $+125^{\circ}\text{C}$.

Applications

- Advanced Driver-Assistance Systems (ADAS)
- Multivoltage ASICs
- Servers
- Storage Equipment

Benefits and Features

- $\pm 0.3\%$ IN1 Threshold Accuracy
- $\pm 0.3\%$ IN2 Threshold Accuracy
- 0.6V to 0.9V IN1 Threshold Range
- 0.9V to 3.3V IN2 Threshold Range
- $\pm 2\%$ to $\pm 5\%$ UV/OV Monitoring Range
- Open-Drain/Push-Pull Reset Output Options
- 8-Pin TDFN, 2mm x 3mm Side-Wettable Flanks
- -40°C to $+125^{\circ}\text{C}$ Temperature Range
- AEC-Q100 Qualified

[Ordering Information](#) appears at end of data sheet.

19-101424; Rev 0; 3/22

© 2022 Analog Devices, Inc. All rights reserved. Trademarks and registered trademarks are the property of their respective owners.

One Analog Way, Wilmington, MA 01887 U.S.A. | Tel: 781.329.4700 | © 2022 Analog Devices, Inc. All rights reserved.

Typical Application Circuit

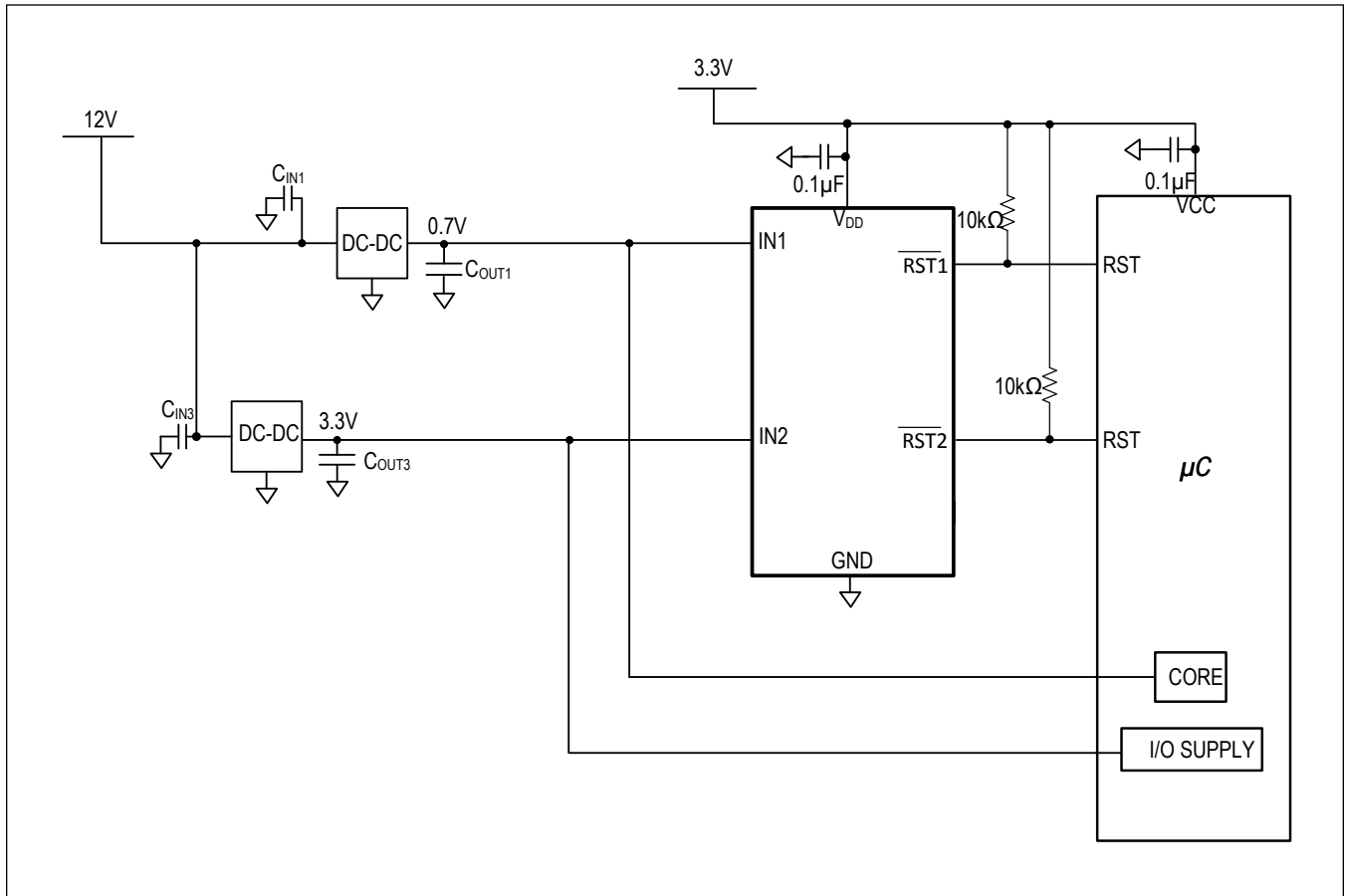


TABLE OF CONTENTS

General Description	1
Applications	1
Benefits and Features	1
Typical Application Circuit	2
Absolute Maximum Ratings	6
Package Information	6
8 TDFN (T823Y+3C)	6
Electrical Characteristics	7
Typical Operating Characteristics	8
Pin Configuration	9
8-Pin TDFN	9
Pin Description	10
Functional Diagrams	10
Functional Block Diagram	10
Detailed Description	11
Reset Timeout Period	11
Applications Information	12
Setting Input Thresholds and Hysteresis	12
Power-Supply Bypassing/Noise Immunity	13
Selector Guide Table	13
Typical Application Circuits	14
Typical Application Circuit	14
Ordering Information	14
Revision History	15

LIST OF FIGURES

Figure 1. Reset Output Timing Diagram 11
Figure 2. Undervoltage/Overvoltage Threshold Accuracy 12
Figure 3. Undervoltage/Overvoltage Threshold Hysteresis 13

LIST OF TABLES

..... 1

Absolute Maximum Ratings

V _{DD} to GND.....	-0.3V to +6V	Operating Temperature Range	-40°C to +125°C
IN1, IN2 to GND	-0.3V to +6V	Junction Temperature	+150°C
RST1, RST2 (Open Drain Outputs) to GND.....	-0.3V to +6V	Soldering Temperature (Reflow).....	+260°C
RST1, RST2 (Push-Pull Outputs) to GND....	-0.3V to VDD + 0.3V	Storage Temperature Range	-65°C to +150°C
Input/Output Continuous Current	±20mA	Lead Temperature (Soldering, 10s).....	+300°C
Continuous Power Dissipation (Multilayer Board) (TDFN (T823Y+3C) T _A = +70°C, derate 16.7mW/°C above +70°C)			
T823Y+3C, 8-Pin TDFN (Multilayer derate 1333.3mW/°C above 70°C).....	1333.3mW		

Stresses beyond those listed under "Absolute Maximum Ratings" may cause permanent damage to the device. These are stress ratings only, and functional operation of the device at these or any other conditions beyond those indicated in the operational sections of the specifications is not implied. Exposure to absolute maximum rating conditions for extended periods may affect device reliability.

Package Information

8 TDFN (T823Y+3C)

Package Code	T823Y+3C
Outline Number	21-100417
Land Pattern Number	90-0091
Thermal Resistance, Single Layer Board:	
Junction-to-Ambient (θ_{JA})	
Junction-to-Case Thermal Resistance (θ_{JC})	
Thermal Resistance, Four Layer Board:	
Junction-to-Ambient (θ_{JA})	60(C/W)
Junction-to-Case Thermal Resistance (θ_{JC})	11(C/W)

For the latest package outline information and land patterns (footprints), go to www.maximintegrated.com/packages. Note that a "+", "#", or "-" in the package code indicates RoHS status only. Package drawings may show a different suffix character, but the drawing pertains to the package regardless of RoHS status.

Package thermal resistances were obtained using the method described in JEDEC specification JESD51-7, using a four-layer board. For detailed information on package thermal considerations, refer to www.maximintegrated.com/thermal-tutorial.

Electrical Characteristics

($V_{DD} = 1.7V$ to $5.5V$, $T_A = T_J = -40^\circ C$ to $+125^\circ C$, unless otherwise noted. Typical values are at $V_{DD} = 3.3V$, $V_{IN1} = 0.9V$, $V_{IN2} = 3.280V$, and $T_A = +25^\circ C$ under normal conditions, unless otherwise noted.)

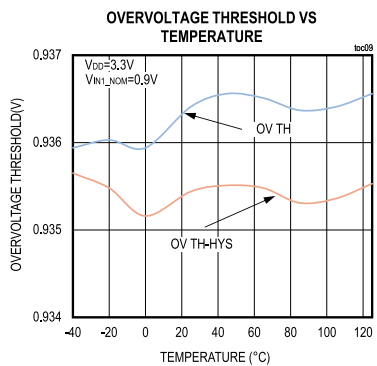
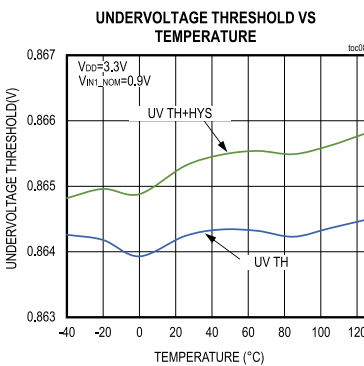
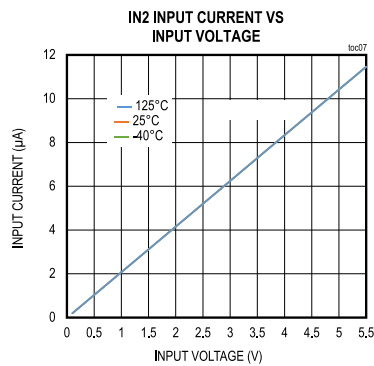
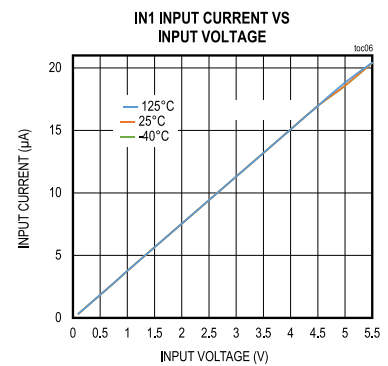
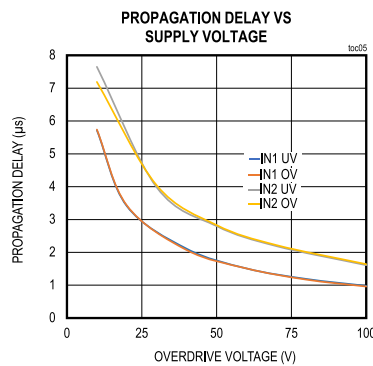
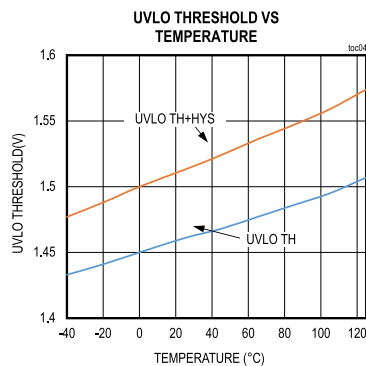
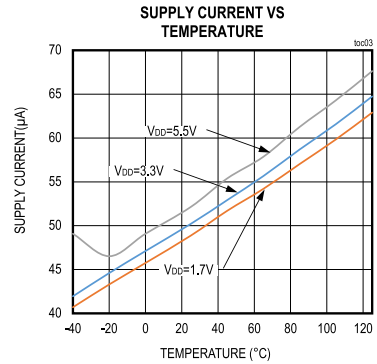
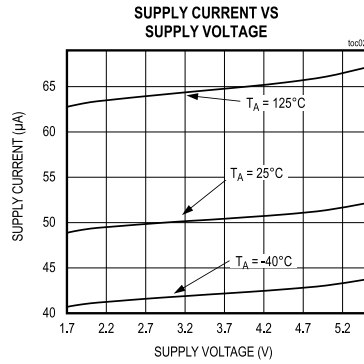
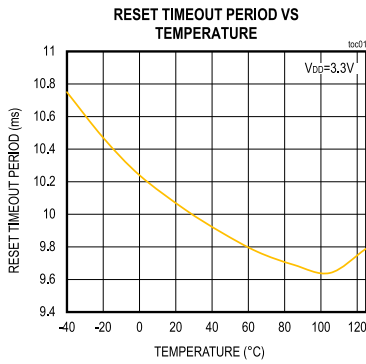
PARAMETER	SYMBOL	CONDITIONS	MIN	TYP	MAX	UNITS
POWER SUPPLY						
Operating Voltage Range	V_{DD}	Output guaranteed to be at known state	1.7		5.5	V
Minimum Supply Voltage	V_{DD}	$\overline{RST1}$ and $\overline{RST2}$ are guaranteed to be at a known logic	1.1			V
Supply Current	I_{DD}	$\overline{RST1}$ and $\overline{RST2}$ not asserted		50	100	μA
Undervoltage Lockout Threshold	V_{UVLO}	V_{DD} rising	1.30	1.50	1.68	V
Undervoltage Lockout Hysteresis	V_{UVLO_HYS}	V_{DD} falling		47		mV
INPUT VOLTAGE (IN1 AND IN2)						
IN1 Input Voltage Range (Note 1)	V_{IN1_NOM}		0.6		0.9	V
IN2 Input Voltage Range (Note 1)	V_{IN2_NOM}		0.9		3.3	V
Undervoltage/Overvoltage Threshold Programming Range	TOL	Reset occurs when V_{IN} falls outside of $V_{IN_NOM} \times (1 \pm TOL)$	± 2		± 5	% of V_{IN_NOM}
INPUT THRESHOLD ACCURACY						
IN1/IN2 Overvoltage Threshold Accuracy	V_{OVTH_A}	V_{IN1}/V_{IN2} rising, $V_{OVTH} = V_{IN_} \times (1 + TOL\%)$	-0.3		+0.3	%
IN1/IN2 Undervoltage Threshold Accuracy	V_{UVTH_A}	V_{IN1}/V_{IN2} falling, $V_{UVTH} = V_{IN_} \times (1 - TOL\%)$	-0.3		+0.3	%
Undervoltage/Overvoltage Hysteresis	V_{HYS}			0.15		% V_{TH}
Input Current	I_{IN1}	$V_{IN1} = V_{IN1_NOM}$		3	6	μA
	I_{IN2}	$V_{IN2} = V_{IN2_NOM}$		6	12	μA
RESET OUTPUT ($\overline{RST1}$ AND $\overline{RST2}$)						
Reset Timeout Period Accuracy	t_{RP}	From time V_{IN} enters overvoltage/undervoltage threshold-window to time $\overline{RST_}$ goes high	-20		+20	%
IN1-to- $\overline{RST1}$ Propagation Delay	t_D	($V_{UVTH} + 1\%$) to ($V_{UVTH} - 1\%$) or ($V_{OVTH} - 1\%$) to ($V_{OVTH} + 1\%$)		5		μs
IN2-to- $\overline{RST2}$ Propagation Delay	t_D	($V_{UVTH} + 1\%$) to ($V_{UVTH} - 1\%$) or ($V_{OVTH} - 1\%$) to ($V_{OVTH} + 1\%$)		5		μs
OUTPUT VOLTAGE						
Output Voltage Low	V_{OL}	$V_{DD} \geq 4.25V$, $I_{SINK} = 1mA$,			0.1	V
		$V_{DD} = 2.5V$, $I_{SINK} = 250\mu A$			0.1	
		$V_{DD} = 1.2V$, $I_{SINK} = 25\mu A$			0.1	

Note 1: Input voltage for IN1 and IN2 is factory programmable to a midpoint between the undervoltage threshold and overvoltage threshold levels.

Note 2: Limits are 100% tested at $T_A = +25^\circ C$. Limits over the operating temperature range and relevant supply voltage range are guaranteed by design and characterization.

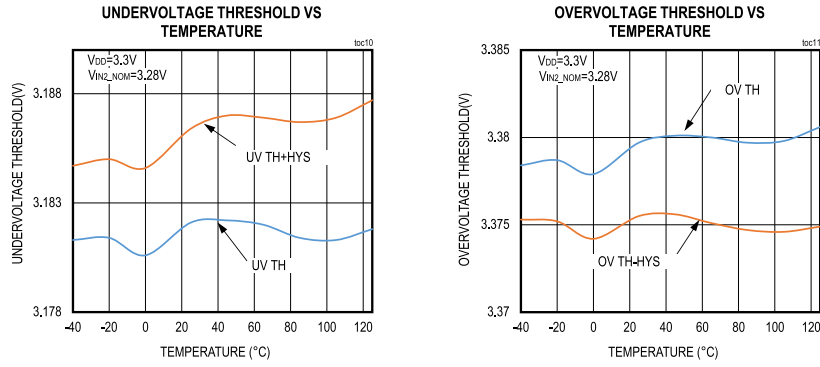
Typical Operating Characteristics

($V_{DD} = 1.70V$ to $5.5V$, $T_A = T_{MIN}$ to T_{MAX} unless otherwise noted.)



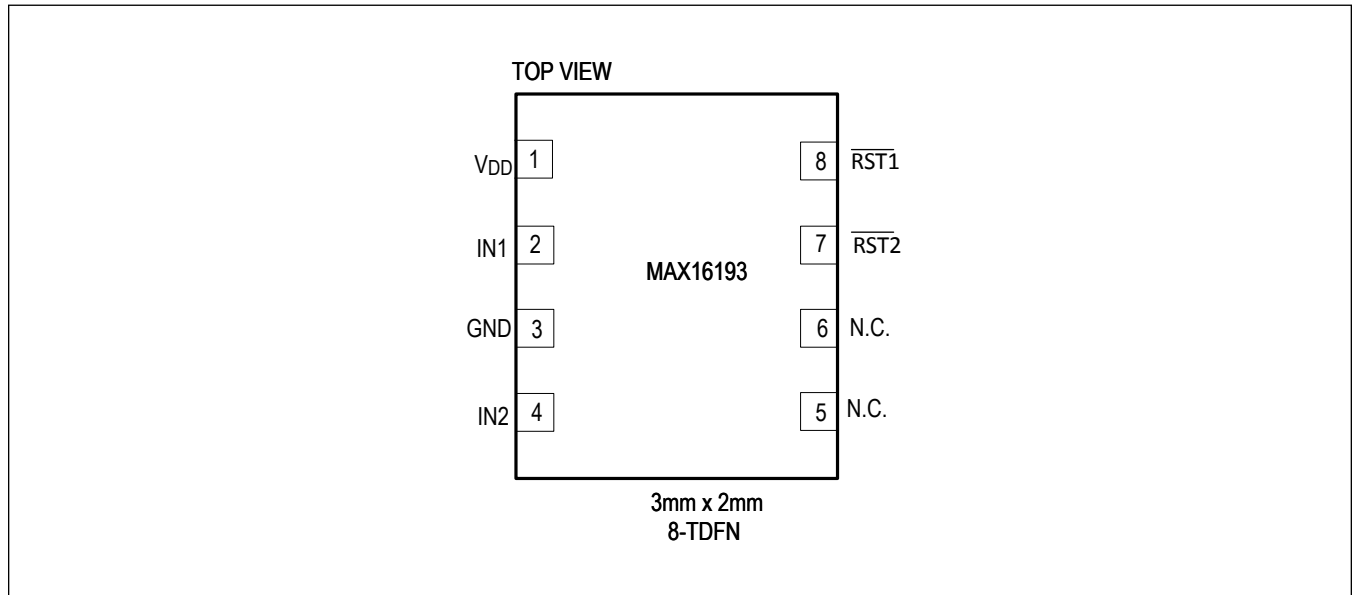
Typical Operating Characteristics (continued)

(V_{DD} = 1.70V to 5.5V, T_A = T_{MIN} to T_{MAX} unless otherwise noted.)



Pin Configuration

8-Pin TDFN

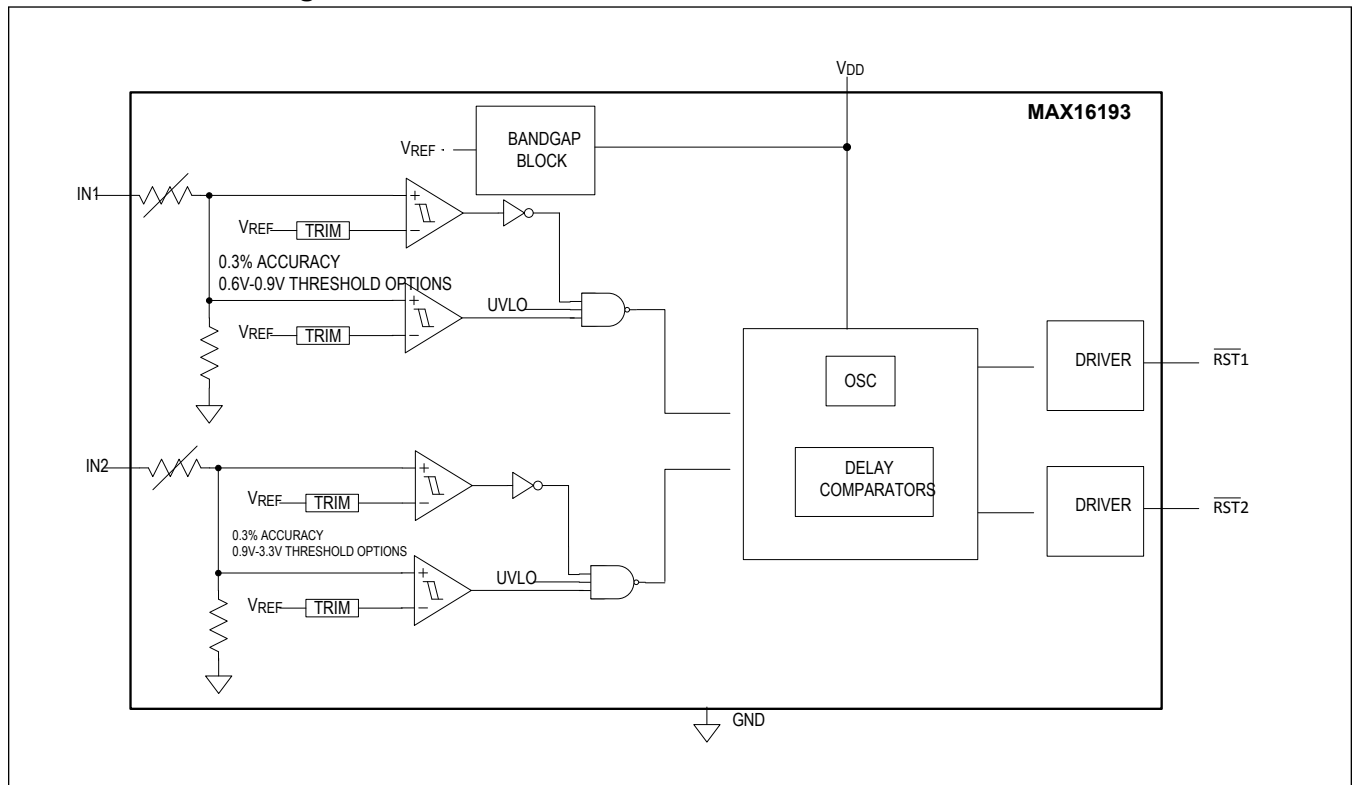


Pin Description

PIN	NAME	FUNCTION
1	V _{DD}	Supply Input. Bypass V _{DD} to ground with a 0.1µF capacitor.
2	IN1	Monitoring Input 1. IN1 monitors supply rails for undervoltage/overvoltage faults with respect to a nominal input threshold. IN1 monitors supply range from 0.6V to 0.9V. When V _{IN1} falls outside the undervoltage/overvoltage thresholds window, RST1 asserts and stays asserted for the reset timeout period after V _{IN1} falls within undervoltage/overvoltage thresholds window.
3	GND	Ground
4	IN2	Monitoring Input 2. IN2 monitors supply rails for undervoltage/overvoltage faults with respect to nominal input threshold. IN2 monitors supply range from 0.9V to 3.3V. When V _{IN2} falls outside the window between the undervoltage and overvoltage thresholds, RST2 asserts and stays asserted for the reset timeout period after V _{IN2} falls within this window.
5, 6	N.C.	No Connect
7	RST2	Active-Low, Open-Drain or Push-Pull Reset Output 2. For the open-drain version, connect RST2 with a 10kΩ pullup resistor.
8	RST1	Active-Low, Open-Drain or Push-Pull Reset Output 1. For the open-drain version, connect RST1 with a 10kΩ pullup resistor.

Functional Diagrams

Functional Block Diagram



Detailed Description

The MAX16193 is a dual-channel, 0.3% accurate window-detector supervisor circuit that monitors two supply voltages in a system. The MAX16193 offers factory-trimmed nominal input voltage levels and a factory-trimmed window between the undervoltage and overvoltage thresholds, from $\pm 2\%$ to $\pm 5\%$. Contact Analog Devices for a threshold not listed in the [Ordering Information](#) table.

Reset Timeout Period

The active-low, open-drain reset outputs $\overline{\text{RST1}}$ and $\overline{\text{RST2}}$ assert low when the respective input voltage falls outside the factory-trimmed undervoltage and overvoltage threshold window. The corresponding reset output deasserts after the reset timeout period when the input voltage falls within the set window threshold. At power-up, resets stay asserted for the reset timeout period once V_{DD} is above the UVLO. The reset output is available in a factory-programmable open-drain or push-pull option. The reset output with open-drain configuration requires a pullup resistor. See [Figure 1](#) for more details.

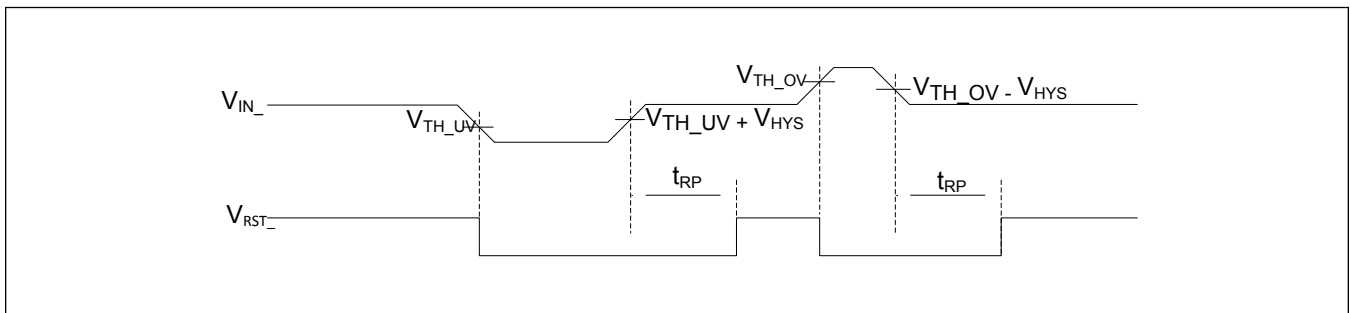


Figure 1. Reset Output Timing Diagram

Applications Information

Setting Input Thresholds and Hysteresis

The MAX16193 monitors a system supply voltage for undervoltage/overvoltage window threshold. Depending on the system supply tolerance requirement, the undervoltage/overvoltage thresholds can be factory-trimmed from $\pm 2\%$ to $\pm 5\%$ with respect to the selected nominal input threshold voltage. The following is a detailed calculation of how to determine the undervoltage/overvoltage threshold levels with $\pm 0.3\%$ threshold accuracy.

$$V_{IN_NOM} = 0.9V$$

$$TOL = \pm 3\%$$

$$V_{UVTH} = V_{IN_NOM} (1 - 3\%) = 0.9V \times (1 - 0.03) = 0.873V$$

$$V_{OVTH} = V_{IN_NOM} (1 + 3\%) = 0.9V \times (1 + 0.03) = 0.927V$$

Where V_{IN_NOM} is the selected nominal input threshold voltage, TOL is the input tolerance, V_{UVTH} is undervoltage threshold voltage, and V_{OVTH} is the overvoltage threshold voltage.

The MAX16193 monitors the supply voltage with $\pm 0.3\%$ accuracy over the operating temperature and supply range.

The accuracy range is shown as follows:

$$V_{UVTH_A} = V_{IN_NOM} (1 - 3\% \pm 0.3\%)$$

$$V_{OVTH_A} = V_{IN_NOM} (1 + 3\% \pm 0.3\%)$$

Where V_{UVTH_A} is the undervoltage threshold accuracy range and V_{OVTH_A} is the overvoltage threshold accuracy range. See [Figure 2](#) for details.

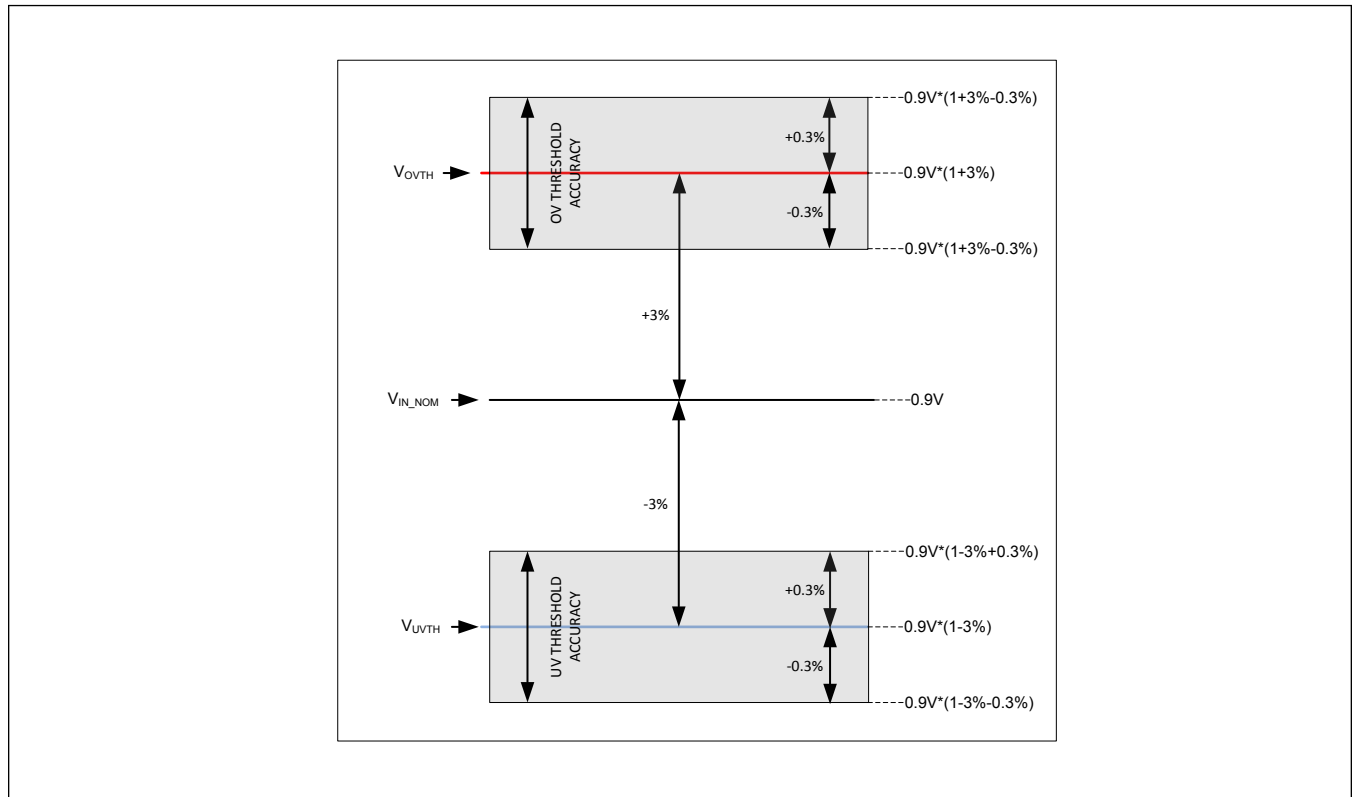


Figure 2. Undervoltage/Overvoltage Threshold Accuracy

Hysteresis adds noise immunity to the voltage monitors and prevents oscillation due to repeated triggering when the monitored voltage is near the threshold trip voltage.

Use the following equation to calculate the threshold hysteresis:

$$V_{IN_NOM} = 0.9V$$

$$\text{Hysteresis} = 0.15\%$$

$$V_{HYST} = 0.9V \times 0.15\% = 0.00135V$$

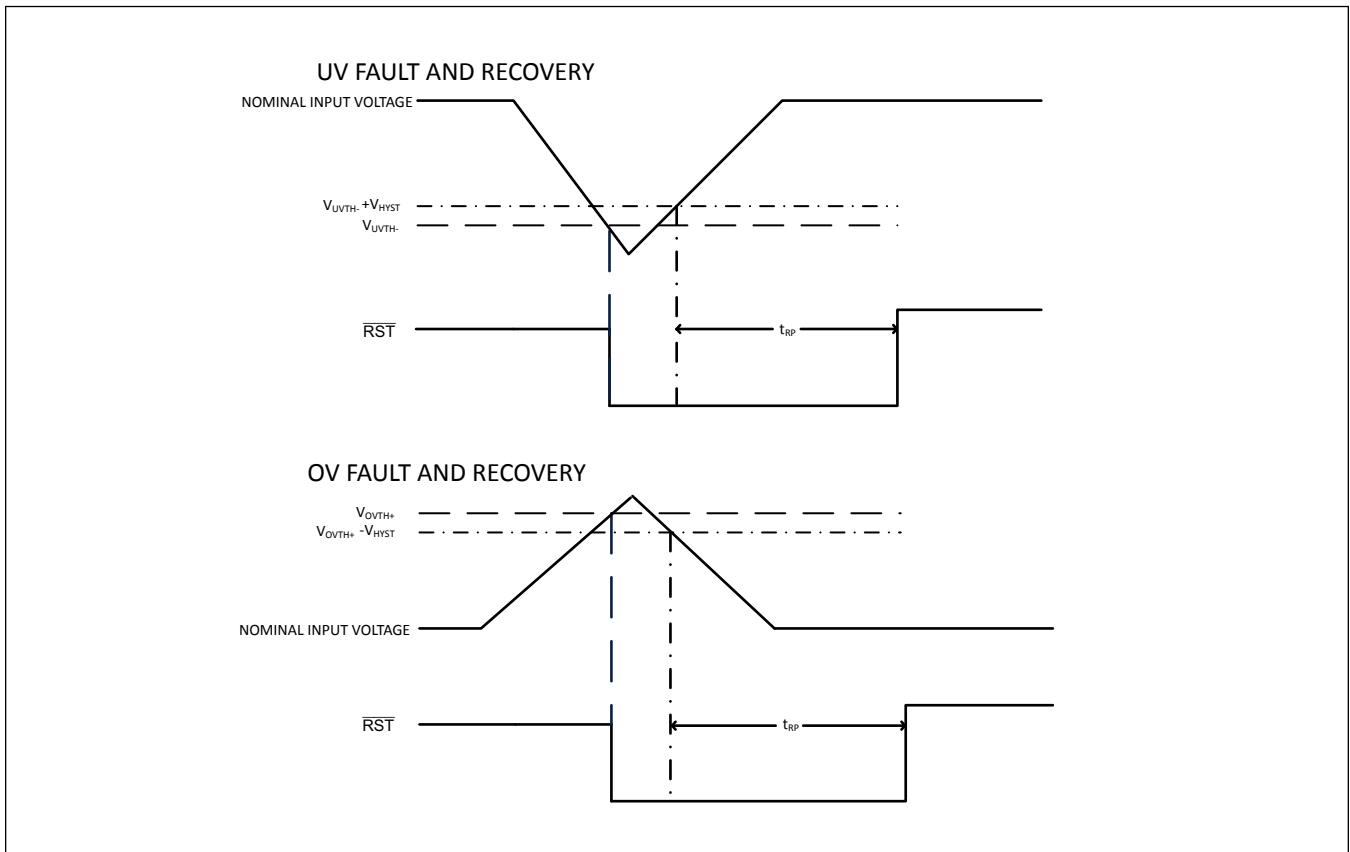


Figure 3. Undervoltage/Overvoltage Threshold Hysteresis

Power-Supply Bypassing/Noise Immunity

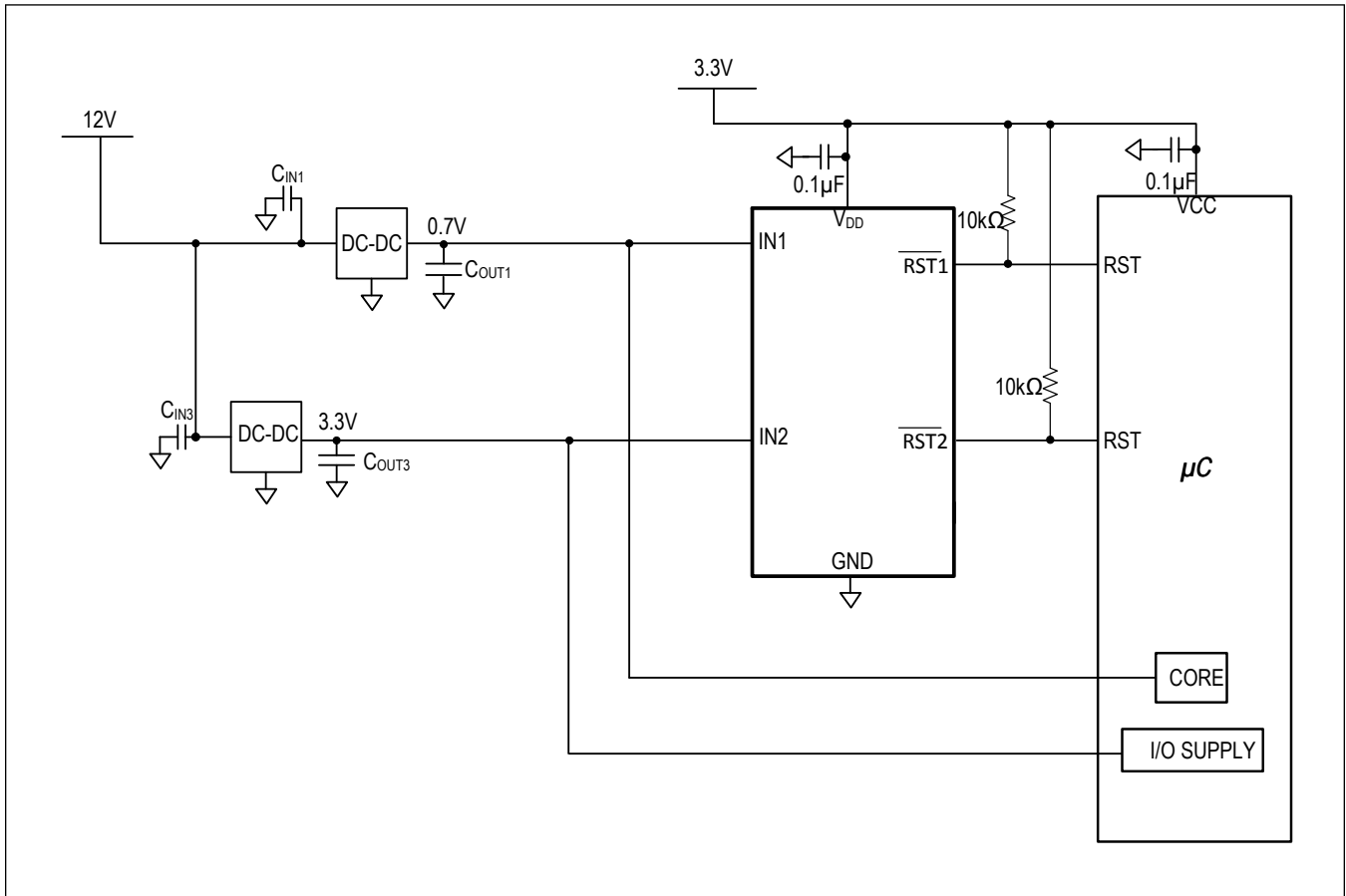
The MAX16193 operates from a 1.7V to 5.5V supply. Bypass V_{DD} to ground with a 0.1µF capacitor as close to the device as possible. An additional capacitor improves transient immunity.

Selector Guide Table

PART NUMBER	IN1/IN2 THRESHOLD VOLTAGE	IN1/IN2 TOLERANCE	IN1/IN2 ACCURACY	IN1/IN2 HYSTERESIS	RESET TIMEOUT
MAX16193ATA00/ VY+T	0.9V/3.280V	4%/3%	0.3%/0.3%	0.15%/0.15%	10ms

Typical Application Circuits

Typical Application Circuit



Ordering Information

PART NUMBER	TEMP RANGE	PIN-PACKAGE
MAX16193ATA00/VY+T	-40°C to +125°C	8 TDFN

+Denotes a lead(Pb)-free/RoHS-compliant package.

T = Tape and reel.

V denotes an automotive qualified part.

Y = Side-wettable package.

Revision History

REVISION NUMBER	REVISION DATE	DESCRIPTION	PAGES CHANGED
0	3/22	Release for Market Intro	—

X-ON Electronics

Largest Supplier of Electrical and Electronic Components

Click to view similar products for [Supervisory Circuits](#) category:

Click to view products by [Analog Devices](#) manufacturer:

Other Similar products are found below :

[CAT1161LI-25-G](#) [CAT853STBI-T3](#) [CAT1026LI-30-G](#) [CAT1320LI-25-G](#) [NCV303LSN16T1G](#) [TC54VN2402EMB713](#) [MCP1316T-44NE/OT](#) [MCP1316MT-45GE/OT](#) [MCP1316MT-23LI/OT](#) [MAX8997EWW+](#) [MAX6725AKASYD3-LF-T](#) [DS1232L](#) [NCV302HSN45T1G](#) [PT7M6130NLTA3EX](#) [PT7M7811STBEX-2017](#) [S-1000N28-I4T1U](#) [CAT1161LI-28-G](#) [MCP1321T-29AE/OT](#) [MCP1319MT-47QE/OT](#) [S-1000N23-I4T1U](#) [S-1000N19-I4T1U](#) [CAT824UTDI-GT3](#) [TC54VC2502ECB713](#) [PT7M6133NLTA3EX](#) [PT7M6127NLTA3EX](#) [VDA2510NTA](#) [AP0809ES3-r](#) [HG811RM4/TR](#) [MD7030C](#) [MD7033C](#) [MD7019](#) [MD7020](#) [MD7021](#) [MD7023](#) [MD7024](#) [MD7027](#) [MD7030](#) [MD7033](#) [MD7035](#) [MD7036](#) [MD7039](#) [MD7040](#) [MD7044](#) [MD7050](#) [MD7015](#) [MD7022](#) [MD7028](#) [MD7031](#) [MD7042](#) [MD7043](#)