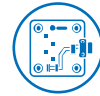




[Evaluation Kit Available](#)



[Design Resources](#)



[Tools and Models](#)



[Support](#)

Click [here](#) to ask an associate for production status of specific part numbers.

## Automatic PWM Fan-Speed Controllers with Overtemperature Output

## MAX6643/MAX6644/ MAX6645

### General Description

The MAX6643/MAX6644/MAX6645 monitor temperature and automatically adjust fan speed to ensure optimum cooling while minimizing acoustic noise from the fan. Each device measures two temperature locations.

The MAX6643/MAX6644/MAX6645 generate a PWM waveform that drives an external power transistor, which in turn modulates the fan's power supply. The MAX6643/MAX6644/MAX6645 monitor temperature and adjust the duty cycle of the PWM output waveform to control the fan's speed according to the cooling needs of the system. The MAX6643 monitors its own die temperature and an optional external transistor's temperature, while the MAX6644 and MAX6645 each monitor the temperatures of one or two external diode-connected transistors.

The MAX6643 and MAX6644 have nine selectable trip temperatures (in 5°C increments). The MAX6645 is factory programmed and is not pin selectable.

All versions include an overtemperature output ( $\overline{OT}$ ).  $\overline{OT}$  can be used for warning or system shutdown. The MAX6643 also features a FULLSPD input that forces the PWM duty cycle to 100%. The MAX6643/MAX6644/MAX6645 also feature a  $\overline{FANFAIL}$  output that indicates a failed fan. See the *Selector Guide* for a complete list of each device's functions.

The MAX6643 and MAX6644 are available in a small 16-pin QSOP package and the MAX6645 is available in a 10-pin  $\mu$ MAX® package. All versions operate from 3.0V to 5.5V supply voltages and consume 500 $\mu$ A (typ) supply current.

### Applications

- Networking Equipment
- Storage Equipment
- Servers
- Desktop Computers
- Workstations

*Pin Configurations, Typical Operating Circuit, and Selector Guide appear at end of data sheet.*

### Features

- Simple, Automatic Fan-Speed Control
- Internal and External Temperature Sensing
- Detect Fan Failure Through Locked-Rotor Output, Tachometer Output, or Fan-Supply Current Sensing
- Multiple, 1.6% Output Duty-Cycle Steps for Low Audibility of Fan-Speed Changes
- Pin-Selectable or Factory-Selectable Low-Temperature Fan Threshold
- Pin-Selectable or Factory-Selectable High-Temperature Fan Threshold
- Spin-Up Time Ensures Fan Start
- Fan-Start Delay Minimizes Power-Supply Load at Power-Up
- 32Hz PWM Output
- Controlled Duty-Cycle Rate-of-Change Ensures Good Acoustic Performance
- 2°C Temperature-Measurement Accuracy
- FULLSPD Input Sets PWM to 100%
- Pin-Selectable  $\overline{OT}$  Output Threshold
- 16-Pin QSOP and 10-Pin  $\mu$ MAX Packages

### Ordering Information

PART	TEMP RANGE	PIN-PACKAGE	PKG CODE
MAX6643LBFAEE	-40°C to +125°C	16 QSOP	E16-1
MAX6643LBBAEE	-40°C to +125°C	16 QSOP	E16-1
MAX6644LBAAEE	-40°C to +125°C	16 QSOP	E16-1
MAX6645ABFAUB	-40°C to +125°C	10 $\mu$ MAX	U10-2

$\mu$ MAX is a registered trademark of Maxim Integrated Products, Inc.

19-3305; Rev 3; 6/19

### Absolute Maximum Ratings

V <sub>DD</sub> to GND .....	-0.3V to +6V	Continuous Power Dissipation (T <sub>A</sub> = +70°C)
PWM_OUT, OT, and FANFAIL to GND.....	-0.3V to +6V	16-Pin QSOP (derate 8.3mW/°C above +70°C).....
FAN_IN1 and FAN_IN2 to GND.....	-0.3V to +13.2V	10-Pin μMAX (derate 5.6mW/°C above +70°C).....
DXP_ to GND.....	-0.3V to +0.8V	Operating Temperature Range.....
FULLSPD, TH_, TL_, TACHSET, and OT_ to GND .....	-0.3V to +(V <sub>DD</sub> + 0.3V)	Junction Temperature.....
FANFAIL, OT Current.....	-1mA to +50mA	Storage Temperature Range.....
		Lead Temperature (soldering, 10s).....

Stresses beyond those listed under "Absolute Maximum Ratings" may cause permanent damage to the device. These are stress ratings only, and functional operation of the device at these or any other conditions beyond those indicated in the operational sections of the specifications is not implied. Exposure to absolute maximum rating conditions for extended periods may affect device reliability.

### Electrical Characteristics

(V<sub>DD</sub> = +3.0V to +5.5V, T<sub>A</sub> = -40°C to +125°C, unless otherwise noted. Typical values are at V<sub>DD</sub> = +3.3V, T<sub>A</sub> = +25°C.) (Note 1)

PARAMETER	SYMBOL	CONDITIONS	MIN	TYP	MAX	UNITS
Operating Supply Voltage Range	V <sub>DD</sub>		+3.0		+5.5	V
Remote Temperature Error		V <sub>DD</sub> = +3.3V, +20°C ≤ T <sub>RJ</sub> ≤ +100°C	T <sub>A</sub> = +20°C to +60°C		±2	°C
			T <sub>A</sub> = 0°C to +125°C		±3	
Local Temperature Error		V <sub>CC</sub> = +3.3V	T <sub>A</sub> = +10°C to +70°C		±2.5	°C
			T <sub>A</sub> = 0°C to +125°C		±3.5	
Temperature Error from Supply Sensitivity				±0.2		°C/V
Power-On-Reset (POR) Threshold		V <sub>DD</sub> falling edge	1.5	2.0	2.5	V
POR Threshold Hysteresis				90		mV
Operating Current	I <sub>S</sub>	During a conversion		0.5	1	mA
Average Operating Current		Duty cycle = 50%, no load			0.5	mA
Remote-Diode Sourcing Current		High level	80	100	120	μA
Conversion Time				125		ms
Spin-Up Time		MAX664__B____		8		s
Startup Delay		MAX664__B____		0.5		s
Minimum Fan-Fail Tachometer Frequency				16		Hz
PWM_OUT Frequency	F <sub>PWM_OUT</sub>			32		Hz
<b>DIGITAL OUTPUTS (OT, FANFAIL, PWM_OUT)</b>						
Output Low Voltage (OT)	V <sub>OL</sub>	I <sub>SINK</sub> = 1mA			0.4	V
Output Low Voltage (FANFAIL, PWM_OUT)	V <sub>OL</sub>	I <sub>SINK</sub> = 6mA			0.5	V
		I <sub>SINK</sub> = 1mA			0.4	
Output-High Leakage Current	I <sub>OH</sub>	V <sub>OH</sub> = 3.3V			1	μA

**Electrical Characteristics (continued)**

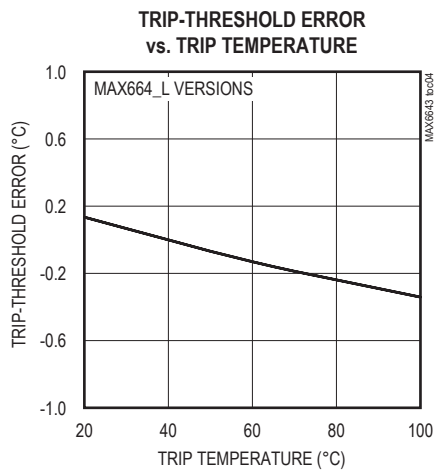
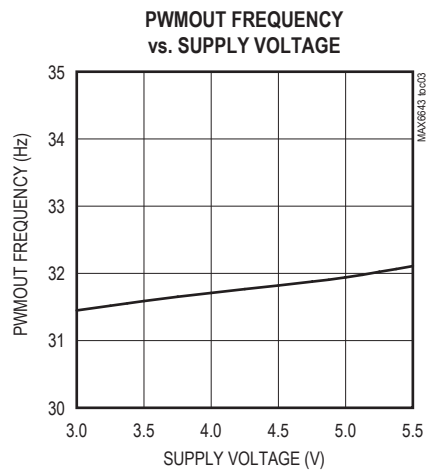
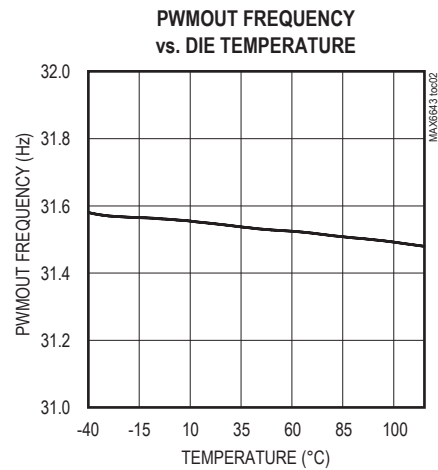
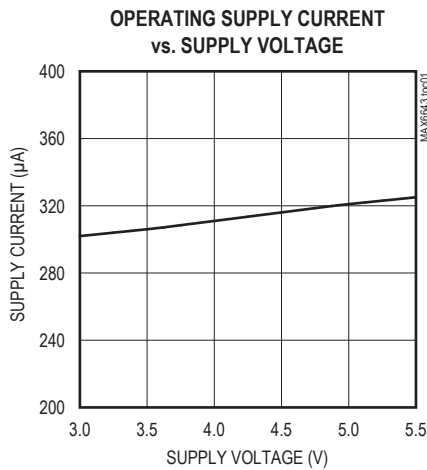
( $V_{DD} = +3.0V$  to  $+5.5V$ ,  $T_A = -40^{\circ}C$  to  $+125^{\circ}C$ , unless otherwise noted. Typical values are at  $V_{DD} = +3.3V$ ,  $T_A = +25^{\circ}C$ .) (Note 1)

PARAMETER	SYMBOL	CONDITIONS	MIN	TYP	MAX	UNITS
<b>DIGITAL INPUTS (FULLSPD, TACHSET)</b>						
Logic-Input High	$V_{IH}$	$V_{DD} = 5.5V$	3.65			V
		$V_{DD} = 3.0V$	2.2			
Logic-Input Low	$V_{IL}$	$V_{DD} = 3.0V$			0.8	V
Input Leakage Current		$V_{IN} = GND$ or $V_{DD}$	-1		+1	$\mu A$

**Note 1:** All parameters tested at  $T_A = +25^{\circ}C$ . Specifications over temperature are guaranteed by design.

**Typical Operating Characteristics**

( $T_A = +25^{\circ}C$ , unless otherwise noted.)



**Pin Description**

PIN			NAME	FUNCTION
MAX6643	MAX6644	MAX6645		
1, 15	1, 15	—	TH1, TH2	High-Temperature Threshold Inputs. Connect to V <sub>DD</sub> , GND, or leave unconnected to select the upper fan-control trip temperature (T <sub>HIGH</sub> ), in 5°C increments. See Table 1.
2, 3	2, 3	—	TL2, TL1	Low-Temperature Threshold Inputs. Connect to V <sub>DD</sub> , GND, or leave unconnected to select the lower fan-control trip temperature (T <sub>LOW</sub> ), in 5°C increments. See Table 2.
4	4	1	$\overline{\text{FANFAIL}}$	Fan-Fail Alarm Output. $\overline{\text{FANFAIL}}$ is an active-low, open-drain output. If the FAN_IN_ detects a fan failure, the $\overline{\text{FANFAIL}}$ output asserts low.
5	5	2	TACHSET	FAN_IN_ Control Input. TACHSET controls what type of fan-fail condition is being detected. Connect TACHSET to V <sub>DD</sub> , GND, or leave floating to set locked rotor, current sense, or tachometer configurations (see Table 3).
6	—	—	FULLSPD	Active-High Logic Input. When pulled high, the fan runs at 100% duty cycle.
7	7	4	GND	Ground
8	—	—	DXP	Combined Current Source and A/D Positive Input for Remote Diode. Connect to anode of remote diode-connected temperature-sensing transistor. Connect to GND if no remote diode is used. Place a 2200pF capacitor between DXP_ and GND for noise filtering.
—	6, 8	3, 5	DXP2, DXP1	
9	9	6	$\overline{\text{OT}}$	Active-Low, Open-Drain Overtemperature Output. When $\overline{\text{OT}}$ threshold is exceeded, $\overline{\text{OT}}$ pulls low.
10, 11	10, 11	7, 8	FAN_IN2, FAN_IN1	Fan-Sense Input. FAN_IN_ can be configured to monitor either a fan's logic-level locked-rotor output, tachometer output, or sense-resistor waveform to detect fan failure. The MAX6643's FAN_IN_ input can monitor only tachometer signals. The MAX6644 and the MAX6645 can monitor any one of the three signal types as configured using the TACHSET input.

**Pin Description (continued)**

PIN			NAME	FUNCTION
MAX6643	MAX6644	MAX6645		
12	12	9	PWM_OUT	PWM Output for Driving External Power Transistor. Connect to the gate of an n-channel MOSFET or to the base of an npn. PWM_OUT requires a pullup resistor. The pullup resistor can be connected to a supply voltage as high as 5.5V, regardless of the supply voltage.
13, 14	13, 14	—	OT2, OT1	Overtemperature Threshold Inputs. Connect to V <sub>DD</sub> , GND, or leave unconnected to select the upper-limit $\overline{OT}$ fault output trip temperature, in 5°C increments. See Table 4.
16	16	10	V <sub>DD</sub>	Power-Supply Input. 3.3V nominal. Bypass V <sub>DD</sub> to GND with a 0.1µF capacitor.

**Detailed Description**

The MAX6643/MAX6644/MAX6645 measure temperature and automatically adjust fan speed to ensure optimum cooling while minimizing acoustic noise from the fan.

The MAX6643/MAX6644/MAX6645 generate a PWM waveform that drives an external power transistor, which in turn modulates the fan’s power supply. The MAX6643/MAX6644/MAX6645 monitor temperature and adjust the duty cycle of the PWM output waveform to control the fan’s speed according to the cooling needs of the system. The MAX6643 monitors its own die temperature and an optional external transistor’s temperature, while the MAX6644 and MAX6645 each monitor the temperatures of one or two external diode-connected transistors.

**Temperature Sensor**

The pn junction-based temperature sensor can measure temperatures up to two pn junctions. The MAX6643 measures the temperature of an external diode-connected transistor, as well as its internal temperature. The MAX6644 and MAX6645 measure the temperature of two external diode-connected transistors. The temperature is measured at a rate of 1Hz.

If an external “diode” pin is shorted to ground or left unconnected, the temperature is read as 0°C. Since the larger of the two temperatures prevails, a faulty or unconnected diode is not used for calculating fan speed or determining overtemperature faults.

**PWM Output**

The larger of the two measured temperatures is always used for fan control. The temperature is compared to three thresholds: the high-temperature threshold (T<sub>HIGH</sub>),

the low-temperature threshold (T<sub>LOW</sub>), and the overtemperature threshold,  $\overline{OT}$ . The  $\overline{OT}$  comparison is done once per second, whereas the comparisons with fan-control thresholds T<sub>HIGH</sub> and T<sub>LOW</sub> are done once every 4s.

The duty-cycle variation of PWM\_OUT from 0% to 100% is divided into 64 steps. If the temperature measured exceeds the threshold T<sub>HIGH</sub>, the PWM\_OUT duty cycle is incremented by one step, i.e., approximately 1.5% (100/64). Similarly, if the temperature measured is below the threshold T<sub>LOW</sub>, the duty cycle is decremented by one step (1.5%). Since the T<sub>HIGH</sub> and T<sub>LOW</sub> comparisons are done only once every 4s, the maximum rate of change of duty cycle is 0.4% per second.

Tables 1 and 2 show the °C value assigned to the TH\_ and TL\_ input combinations.

**Table 1. Setting T<sub>HIGH</sub> (MAX6643 and MAX6644)**

TH2	TH1	T <sub>HIGH</sub> (°C)
0	0	20
0	High-Z	25
0	1	30
High-Z	0	35
High-Z	High-Z	40
High-Z	1	45
1	0	50
1	High-Z	55
1	1	60

*High-Z = High impedance.*

**Table 2. Setting  $T_{LOW}$   
(MAX6643 and MAX6644)**

TL2	TL1	$T_{LOW}$ (°C)
0	0	15
0	High-Z	20
0	1	25
High-Z	0	30
High-Z	High-Z	35
High-Z	1	40
1	0	45
1	High-Z	50
1	1	55

High-Z = High impedance.

There are two options for the behavior of the PWM outputs at power-up. Option 1 (minimum duty cycle = 0): at power-up, the PWM duty cycle is zero. Option 2 (minimum duty cycle = the start duty cycle): at power-up, there is a startup delay, after which the duty cycle goes to 100% for the spin-up period. After the startup delay and spin-up, the duty cycle drops to its minimum value. The minimum duty cycle is in the 0% to 40% range (see the *Selector Guide*).

To control fan speed based on temperature,  $T_{HIGH}$  is set to the temperature beyond which the fan should spin at 100%.  $T_{LOW}$  is set to the temperature below which the duty cycle can be reduced to its minimum value. After power-up and spin-up (if applicable), the duty cycle reduces to its minimum value (either 0% or the start duty cycle). For option 1 (minimum duty cycle = 0), if the measured temperature remains below  $T_{HIGH}$ , the duty cycle remains at zero (see Figure 1). If the temperature increases above  $T_{HIGH}$ , the duty cycle goes to 100% for the spin-up period, and then goes to the start duty cycle (for example, 40%). If the measured temperature remains above  $T_{HIGH}$  when temperature is next measured (4s later), the duty cycle begins to increase, incrementing by 1.5% every 4s until the fan is spinning fast enough to reduce the temperature below  $T_{HIGH}$ .

For option 2 (minimum duty cycle = start duty cycle), if the measured temperature remains below  $T_{HIGH}$ , the duty cycle does not increase and the fan continues to run at a slow speed. If the temperature increases above  $T_{HIGH}$ , the duty cycle begins to increase, incrementing by 1.5% every 4s until the fan is spinning fast enough to reduce the temperature below  $T_{HIGH}$  (see Figure 2). In both cases, if only a small amount of extra cooling is necessary to reduce the temperature below

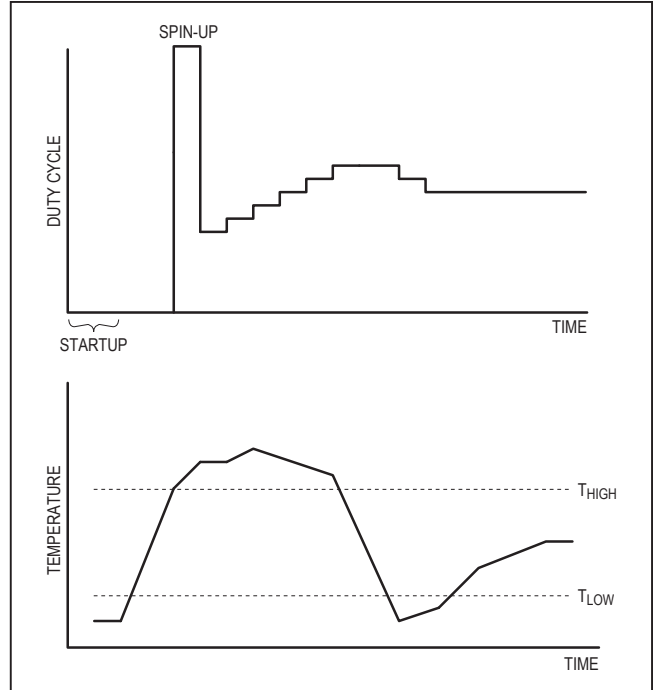


Figure 1. Temperature-Controlled Duty-Cycle Change with Minimum Duty Cycle 30%

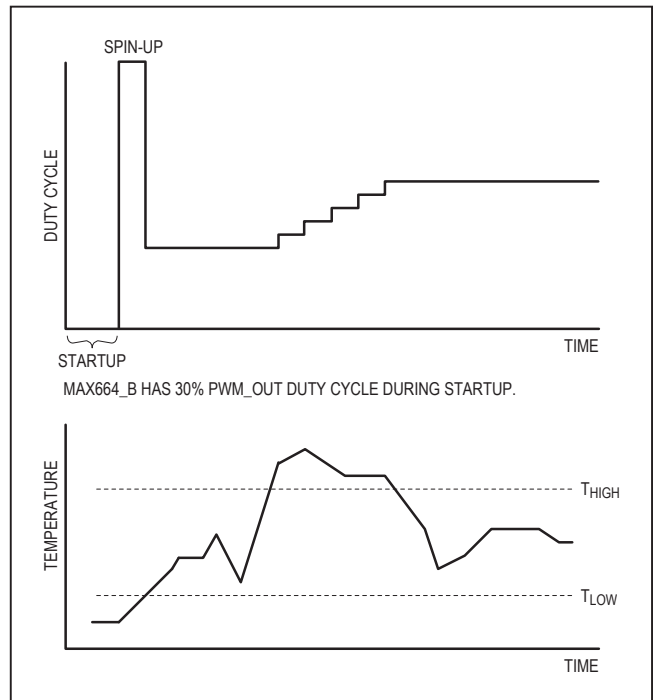


Figure 2. Temperature-Controlled Duty-Cycle Change with Minimum Duty Cycle 30%

$T_{HIGH}$ , the duty cycle may increase just a few percent above the minimum duty cycle. If the power dissipation or ambient temperature increases to a high-enough value, the duty cycle may eventually need to increase to 100%.

If the ambient temperature or the power dissipation reduces to the point that the measured temperature is less than  $T_{LOW}$ , the duty cycle begins slowly decrementing until either the duty cycle reaches its minimum value or the temperature rises above  $T_{LOW}$ .

The small duty-cycle increments and slow rate-of-change of duty cycle (1.5% maximum per 4s) reduce the likelihood that the process of fan-speed control is acoustically objectionable. The “dead band” between  $T_{LOW}$  and  $T_{HIGH}$  keeps the fan speed constant when the temperature is undergoing small changes, thus making the fan-control process even less audible.

### Fan-Fail Sensing

The MAX6643/MAX6644/MAX6645 feature a  $\overline{FANFAIL}$  output. The  $\overline{FANFAIL}$  output is an active-low, open-drain alarm. The MAX6643/MAX6644/MAX6645 detect fan failure either by measuring the fan’s speed and recognizing when it is too low, or by detecting a locked-rotor logic signal from the fan. Fan-failure detection is enabled only when the duty cycle of the PWM drive signal is equal to 100%. This happens during the spin-up period when the fan first turns on and whenever the temperature is above  $T_{HIGH}$  long enough that the duty cycle reaches 100%.

Many fans have open-drain tachometer outputs that produce periodic pulses (usually two pulses per revolution) as the fan spins. These tachometer pulses are monitored by the  $FAN\_IN\_$  inputs to detect fan failures. If a 2-wire fan with no tachometer output is used, the fan’s speed can be monitored by using an external sense resistor at the source of the driving FET (see Figure 3). In this manner, the variation in the current flowing through the fan develops a periodic voltage waveform across the sense resistor. This periodic waveform is then highpass filtered and AC-coupled to the  $FAN\_IN\_$  input. Any variations in the waveform that have an amplitude of more than  $\pm 150\text{mV}$  are converted to digital pulses. The frequency of these digital pulses is directly related to the speed of the rotation of the fan and can be used to detect fan failure.

Note that the value of the sense resistor must be matched to the characteristics of the fan’s current waveform. Choose a resistor that produces voltage variations of at least  $\pm 200\text{mV}$  to ensure that the fan’s operation can be reliably detected. Note that while most fans have current waveforms that can be used with this detection method, there may be some that do not produce reliable tachometer signals. If a 2-wire fan is to be used with fault

detection, be sure that the fan is compatible with this technique.

To detect fan failure, the analog sense-conditioned pulses or the tachometer pulses are deglitched and counted for 2s while the duty cycle is 100% (either during spin-up or when the duty cycle rises to 100% due to measured temperature). If more than 32 pulses are counted (corresponding to 480rpm for a fan that produces two pulses per revolution), the fan is assumed to be functioning normally. If fewer than 32 pulses are received, the  $\overline{FANFAIL}$  output is enabled and the PWM duty cycle to the FET transistor is either shut down in case of a single-fan (MAX6643) configuration or continues normal operation in case of a dual-fan configuration (MAX6644/MAX6645).

Some fans have a locked-rotor logic output instead of a tachometer output. If a locked-rotor signal is to be used to detect fan failure, that signal is monitored for 2s while the duty cycle is 100%. If a locked-rotor signal remains active (low) for more than 2s, the fan is assumed to have failed.

The MAX6643/MAX6644/MAX6645 have two channels for monitoring fan-failure signals,  $FAN\_IN1$  and  $FAN\_IN2$ . For the MAX6643, the  $FAN\_IN\_$  channels monitor a tachometer. The MAX6643’s fault sensing can also be turned off by floating the TACHSET input.

For the MAX6644 and MAX6645, the  $FAN\_IN1$  and  $FAN\_IN2$  channels can be configured to monitor either a logic-level tachometer signal, the voltage waveform on a current-sense resistor, or a locked-rotor logic signal. The TACHSET input selects which type of signal is to be monitored (see Table 3). To disable fan-fault sensing, TACHSET should be unconnected and  $FAN\_IN1$  and  $FAN\_IN2$  should be connected to  $V_{DD}$ .

### $\overline{OT}$ Output

The MAX6643/MAX6644/MAX6645 include an over-temperature output that can be used as an alarm or a system-shutdown signal. Whenever the measured temperature exceeds the value selected using the  $\overline{OT}$  programming inputs OT1 and OT2 (see Table 4),  $\overline{OT}$  is asserted.  $\overline{OT}$  deasserts only after the temperature drops below the threshold.

### FULLSPD Input

The MAX6643 features a FULLSPD input. Pulling FULLSPD high forces PWM\_OUT to 100% duty cycle. The FULLSPD input allows a microcontroller to force the fan to full speed when necessary. By connecting  $\overline{FANFAIL}$  to an inverter, the MAX6643 can force other fans to 100% in multifan systems, or for an over-temperature condition (by connecting  $\overline{OT}$  inverter to FULLSPD).

**Table 3. Configuring the FAN\_IN\_ Inputs with TACHSET**

TACHSET	VDD		GND		UNCONNECTED	
	FAN_IN1	FAN_IN2	FAN_IN1	FAN_IN2	FAN_IN1	FAN_IN2
MAX6643	Tachometer	Tachometer	Do not connect to GND	Do not connect to GND	Disables fan-failure detection	Disables fan-failure detection
MAX6644	Tachometer	Tachometer	Current sense	Current sense	Locked rotor	Locked rotor
MAX6645	Tachometer	Tachometer	Current sense	Current sense	Locked rotor	Locked rotor

**Table 4. Setting the Overtemperature Thresholds (T<sub>OVERT</sub>) (MAX6643 and MAX6644)**

OT2	OT1	T <sub>OVERT</sub> (°C)
0	0	60
0	High-Z	65
0	1	70
High-Z	0	75
High-Z	High-Z	80
High-Z	1	85
1	0	90
1	High-Z	95
1	1	100

High-Z = High impedance.

## Applications Information

Figures 3–6 show various configurations.

### Remote-Diode Considerations

When using an external thermal diode, temperature accuracy depends upon having a good-quality, diode-connected, small-signal transistor. Accuracy has been experimentally verified for a variety of discrete small-signal transistors, some of which are listed in Table 5. The MAX6643/MAX6644/MAX6645 can also directly measure the die temperature of CPUs and other ICs with on-board temperature-sensing diodes.

The transistor must be a small-signal type with a relatively high forward voltage. This ensures that the input voltage is within the ADC input voltage range. The forward voltage must be greater than 0.25V at 10µA at the highest expected temperature. The forward voltage must be less than 0.95V at 100µA at the lowest expected temperature. The base resistance has to be less than 100Ω. Tight specification of forward-current gain (+50 to +150, for example) indicates that the manufacturer has good process control and that the devices have consistent characteristics.

**Table 5. Remote-Sensor Transistor Manufacturers**

MANUFACTURER	MODEL NO.
Central Semiconductor (USA)	CMPT3906
Rohm Semiconductor (USA)	SST3906
Samsung (Korea)	KST3906-TF
Siemens (Germany)	SMBT3906

### Effect of Ideality Factor

The accuracy of the remote temperature measurements depends on the ideality factor (n) of the remote diode (actually a transistor). The MAX6643/MAX6644/MAX6645 are optimized for n = 1.01, which is typical of many discrete 2N3904 and 2N3906 transistors. It is also near the ideality factors of many widely available CPUs, GPUs, and FPGAs. However, any time a sense transistor with a different ideality factor is used, the output data is different. Fortunately, the difference is predictable. Assume a remote-diode sensor designed for a nominal ideality factor n<sub>NOMINAL</sub> is used to measure the temperature of a diode with a different ideality factor, n<sub>1</sub>. The measured temperature T<sub>M</sub> can be corrected using:

$$T_M = T_{ACTUAL} \left( \frac{n_1}{n_{NOMINAL}} \right)$$

where temperature is measured in Kelvin.

As mentioned above, the nominal ideality factor of the MAX6643/MAX6644/MAX6645 is 1.01. As an example, assume the MAX6643/MAX6644/MAX6645 are configured with a CPU that has an ideality factor of 1.008. If the diode has no series resistance, the measured data is related to the real temperature as follows:

$$T_{ACTUAL} = T_M \left( \frac{n_{NOMINAL}}{n_1} \right) = T_M \left( \frac{1.01}{1.008} \right) = T_M(1.00198)$$

For a real temperature of +60°C (333.15K), the measured temperature is 59.33°C (332.49K), which is an error of -0.66°C.



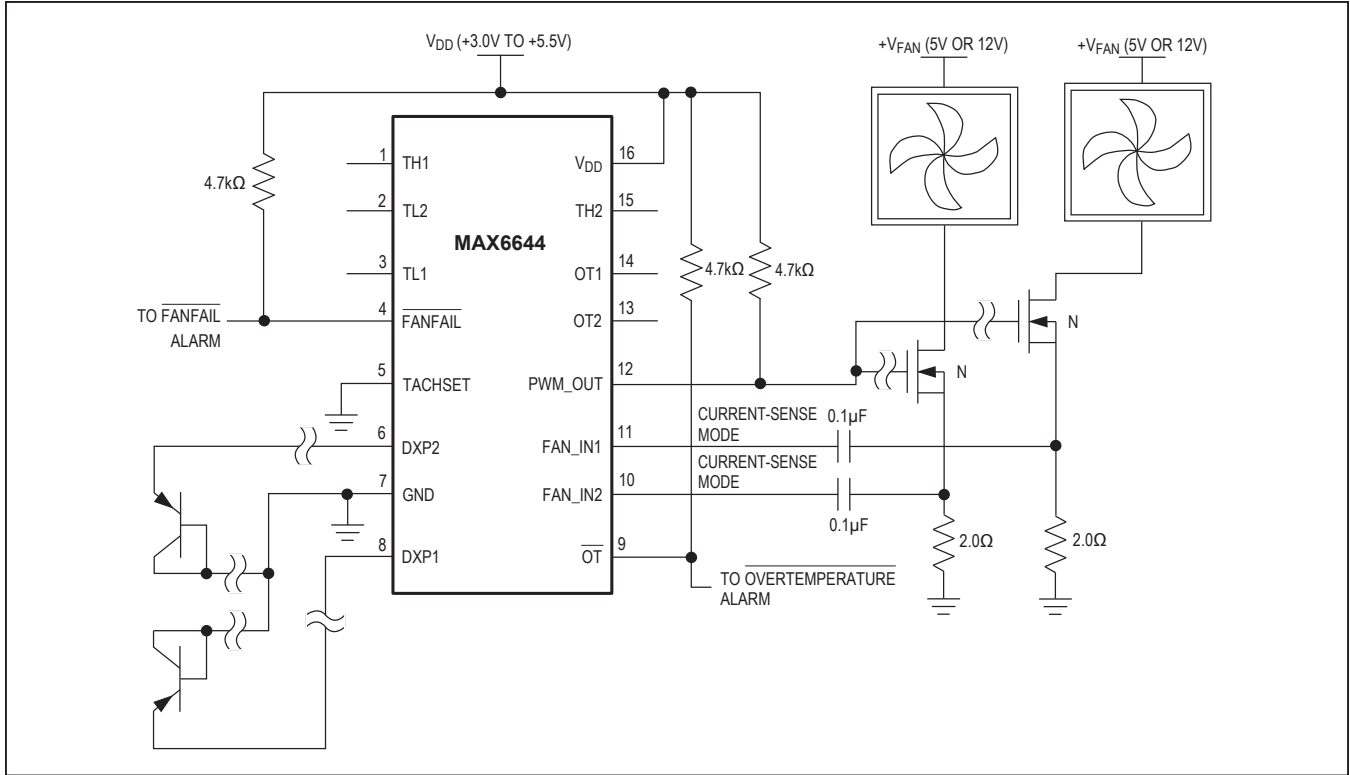


Figure 3. MAX6644 Using Two External Transistors to Measure Remote Temperatures and Control Two 2-Wire Fans. The fan's power-supply current is monitored to detect failure of either fan. Connect pin 10 to pin 11 if only one fan is used.

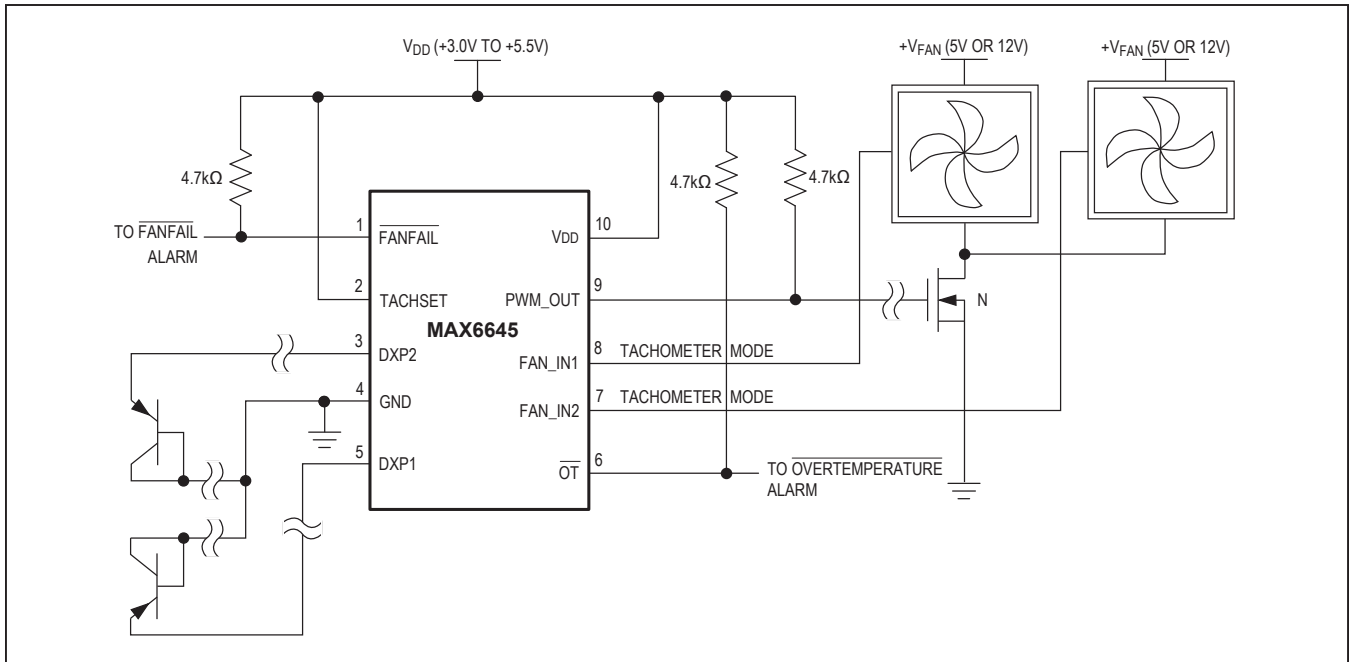


Figure 4. MAX6645 Using Two External Transistors to Measure Remote Temperatures and Control Two 2-Wire Cooling Fans. The fan's power-supply current is monitored to detect failure of either fan. Connect FAN\_IN1 to FAN\_IN2 if only one fan is used.

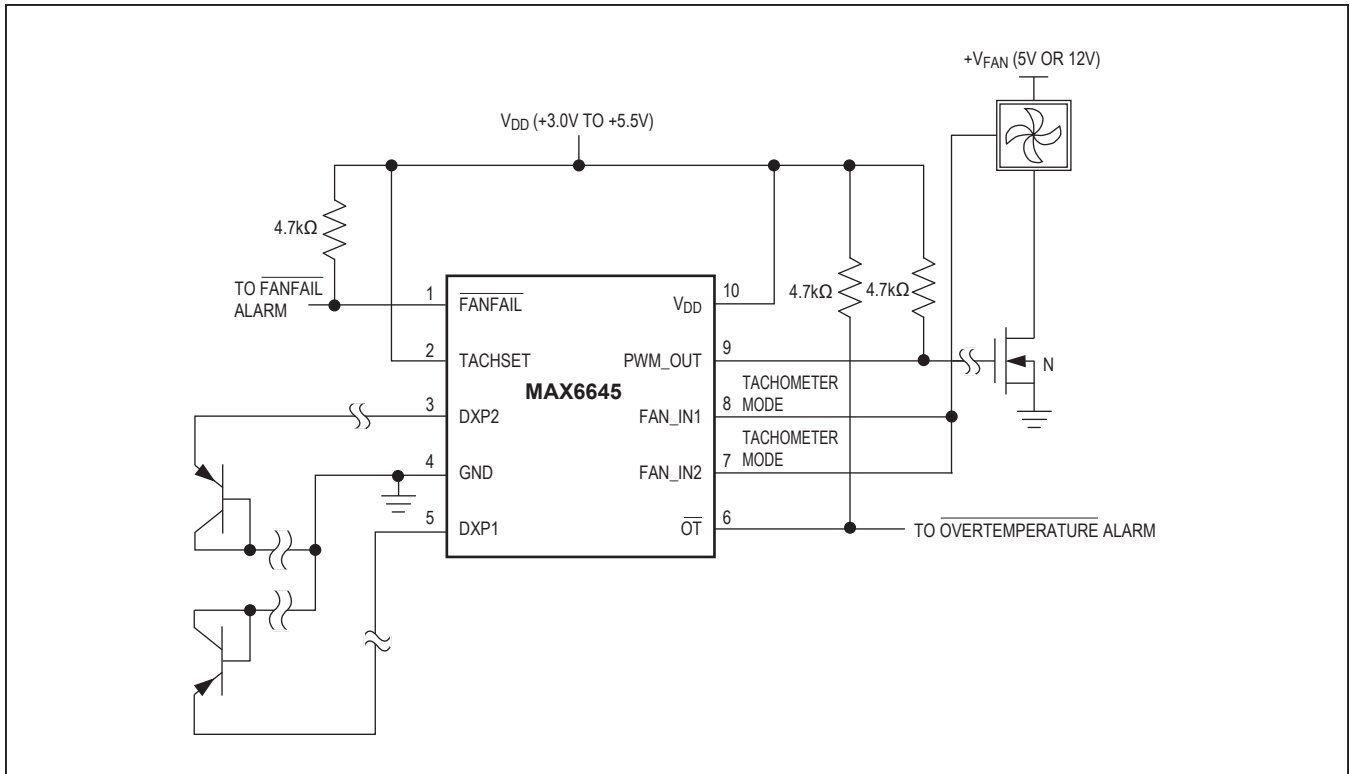


Figure 5. Using the MAX6645 to Monitor Two Fans

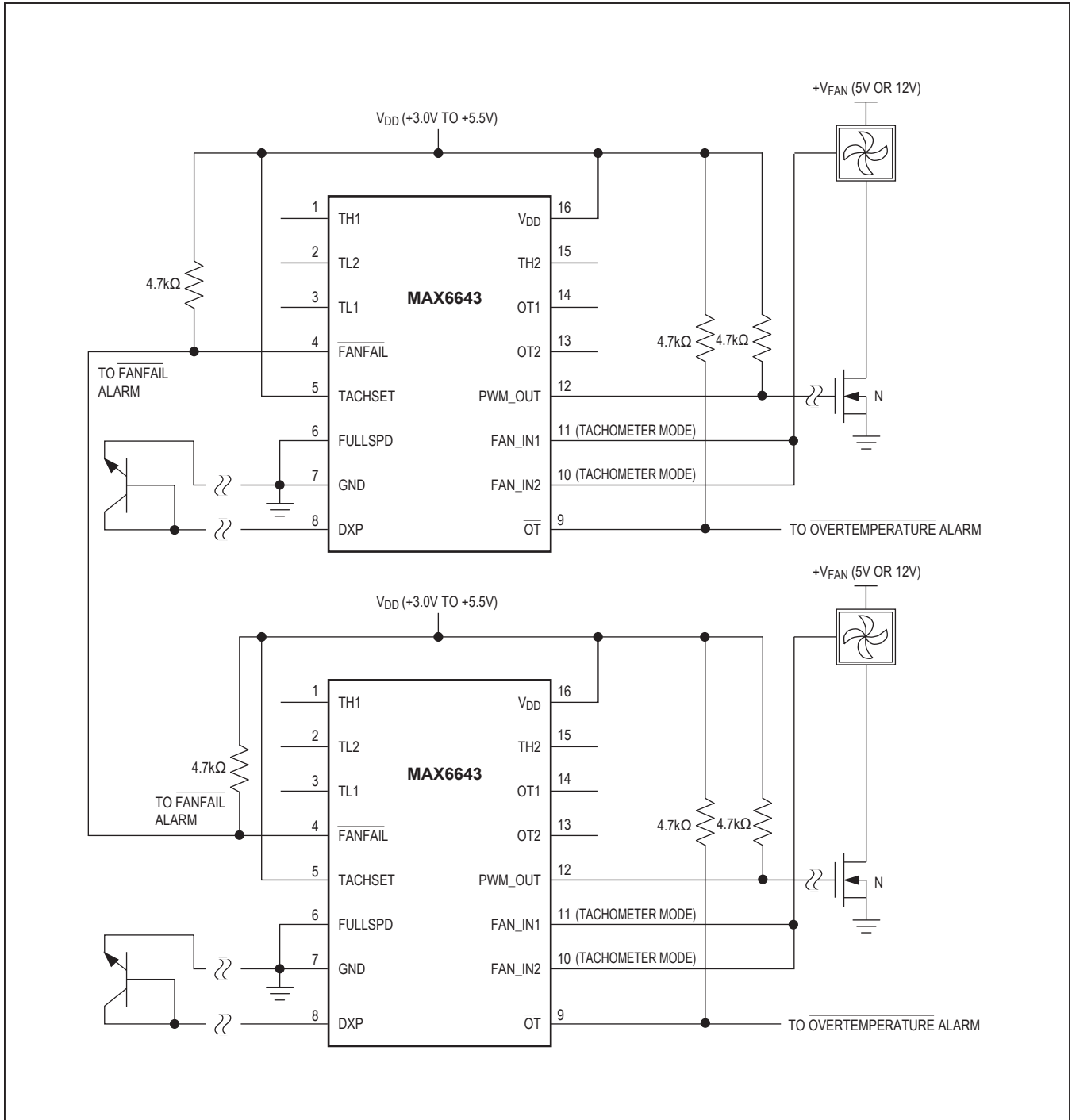


Figure 6. Using Two MAX6643s, Each Controlling a Separate Fan

### Effect of Series Resistance

Series resistance in a sense diode contributes additional errors. For nominal diode currents of 10μA and 100μA, change in the measured voltage is:

$$\Delta V_M = R_S(100\mu\text{A} - 10\mu\text{A}) = 90\mu\text{A} \times R_S$$

Since 1°C corresponds to 198.6μV, series resistance contributes a temperature offset of:

$$\frac{90\frac{\mu\text{V}}{\Omega}}{198.6\frac{\mu\text{V}}{^\circ\text{C}}} = 0.453\frac{^\circ\text{C}}{\Omega}$$

Assume that the diode being measured has a series resistance of 3Ω. The series resistance contributes an offset of:

$$3\Omega \times 0.453\frac{^\circ\text{C}}{\Omega} = 1.36^\circ\text{C}$$

The effects of the ideality factor and series resistance are additive. If the diode has an ideality factor of 1.008 and series resistance of 3Ω, the total offset can be calculated by adding error due to series resistance with error due to ideality factor:

$$1.36^\circ\text{C} - 0.66^\circ\text{C} = 0.7^\circ\text{C}$$

for a diode temperature of +60.7°C.

In this example, the effect of the series resistance and the ideality factor partially cancel each other.

For best accuracy, the discrete transistor should be a small-signal device with its collector connected to base. The anode should be connected to DXP and the cathode should be connected to GND. Table 5 lists examples of discrete transistors that are appropriate for use with the MAX6643/MAX6644/MAX6645.

The transistor must have a relatively high forward voltage; otherwise, the ADC input voltage range can be violated. The forward voltage at the highest expected temperature must be greater than 0.25V at 10μA, and at the lowest expected temperature, the forward voltage must be less than 0.95V at 100μA. Large power transistors must not be used. Also, ensure that the base resistance is less than 100Ω. Tight specifications for forward current gain ( $50 < \beta < 150$ , for example) indicate that the manufacturer has good process controls and that the devices have consistent  $V_{BE}$  characteristics.

### ADC Noise Filtering

The integrating ADC has inherently good noise rejection, especially of low-frequency signals such as 60Hz/120Hz power-supply hum. Micropower operation places constraints on high-frequency noise rejection. Lay out the PCB carefully with proper external noise filtering for high-accuracy remote measurements in electrically noisy environments.

Filter high-frequency electromagnetic interference (EMI) at the DXP pins with an external 2200pF capacitor connected between DXP, DXP1, or DXP2 and ground. This capacitor can be increased to about 3300pF (max), including cable capacitance. A capacitance higher than 3300pF introduces errors due to the rise time of the switched-current source.

### Twisted Pairs and Shielded Cables

For remote-sensor distances longer than 8in, or in particularly noisy environments, a twisted pair is recommended. Its practical length is 6ft to 12ft (typ) before noise becomes a problem, as tested in a noisy electronics laboratory. For longer distances, the best solution is a shielded twisted pair like that used for audio microphones. For example, Belden 8451 works well for distances up to 100ft in a noisy environment. Connect the twisted pair to DXP and GND and the shield to ground, and leave the shield's remote end unterminated. Excess capacitance at DXP limits practical remote-sensor distances (see the *Typical Operating Characteristics*).

For very long cable runs, the cable's parasitic capacitance often provides noise filtering, so the recommended 2200pF capacitor can often be removed or reduced in value. Cable resistance also affects remote-sensor accuracy. A 1Ω series resistance introduces about +1/2°C error.

### PCB Layout Checklist

- 1) Place the MAX6643/MAX6644/MAX6645 as close as practical to the remote diode. In a noisy environment, such as a computer motherboard, this distance can be 4in to 8in or more, as long as the worst noise sources (such as CRTs, clock generators, memory buses, and ISA/PCI buses) are avoided.
- 2) Do not route the DXP lines next to the deflection coils of a CRT. Also, do not route the traces across a fast memory bus, which can easily introduce +30°C error, even with good filtering. Otherwise, most noise sources are fairly benign.

- 3) Route the DXP and GND traces parallel and close to each other, away from any high-voltage traces such as +12VDC. Avoid leakage currents from PCB contamination. A 20M $\Omega$  leakage path from DXP to ground causes approximately +1°C error.
- 4) Route as few vias and crossunders as possible to minimize copper/solder thermocouple effects.
- 5) When introducing a thermocouple, make sure that both the DXP and the GND paths have matching thermocouples. In general, PCB-induced thermocouples are not a serious problem. A copper solder thermocouple exhibits 3 $\mu$ V/°C, and it takes approximately 200 $\mu$ V of voltage error at DXP/GND to cause a +1°C measurement error, so most parasitic thermocouple errors are swamped out.
- 6) Use wide traces. Narrow traces are more inductive and tend to pick up radiated noise. The 10-mil widths and spacings are recommended, but are not absolutely necessary (as they offer only a minor improvement in leakage and noise), but use them where practical.
- 7) Placing an electrically clean copper ground plane between the DXP traces and traces carrying high-frequency noise signals helps reduce EMI.

### **Chip Information**

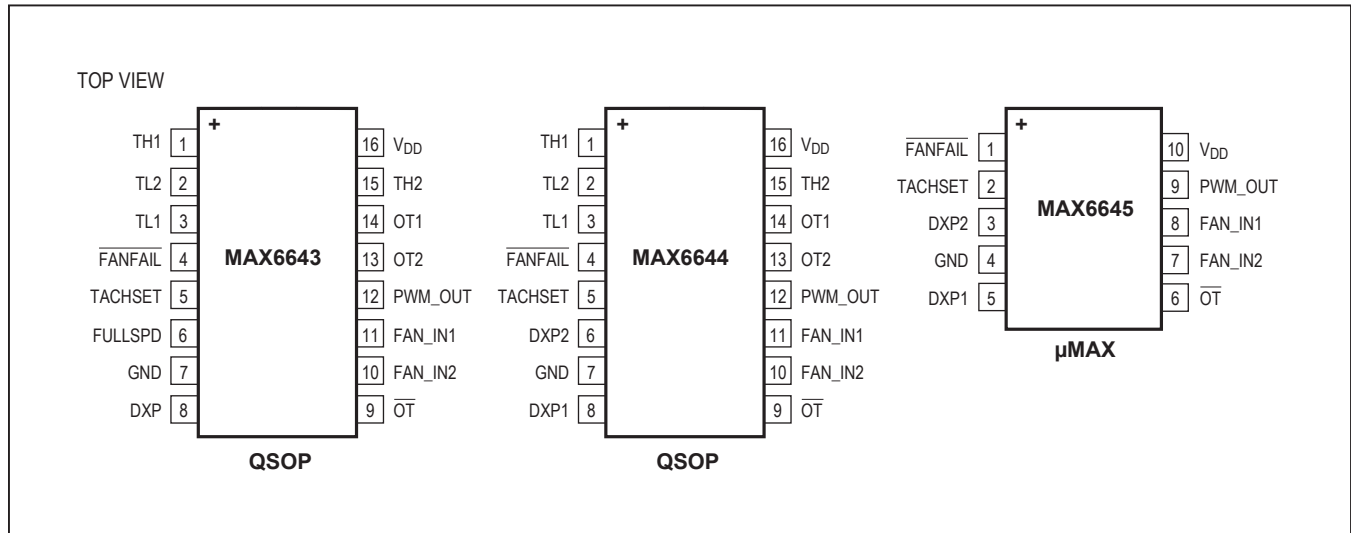
TRANSISTOR COUNT: 12,518

PROCESS: BiCMOS

# MAX6643/MAX6644/ MAX6645

## Automatic PWM Fan-Speed Controllers with Overtemperature Output

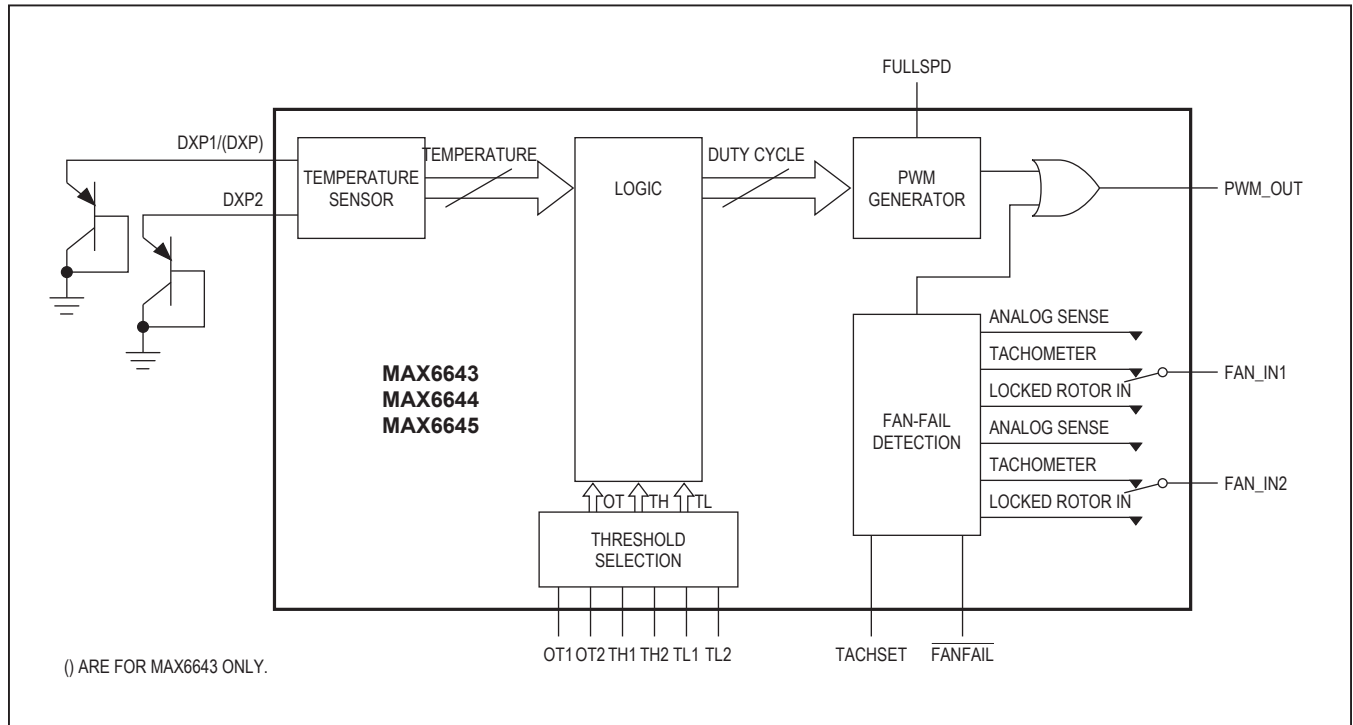
### Pin Configurations



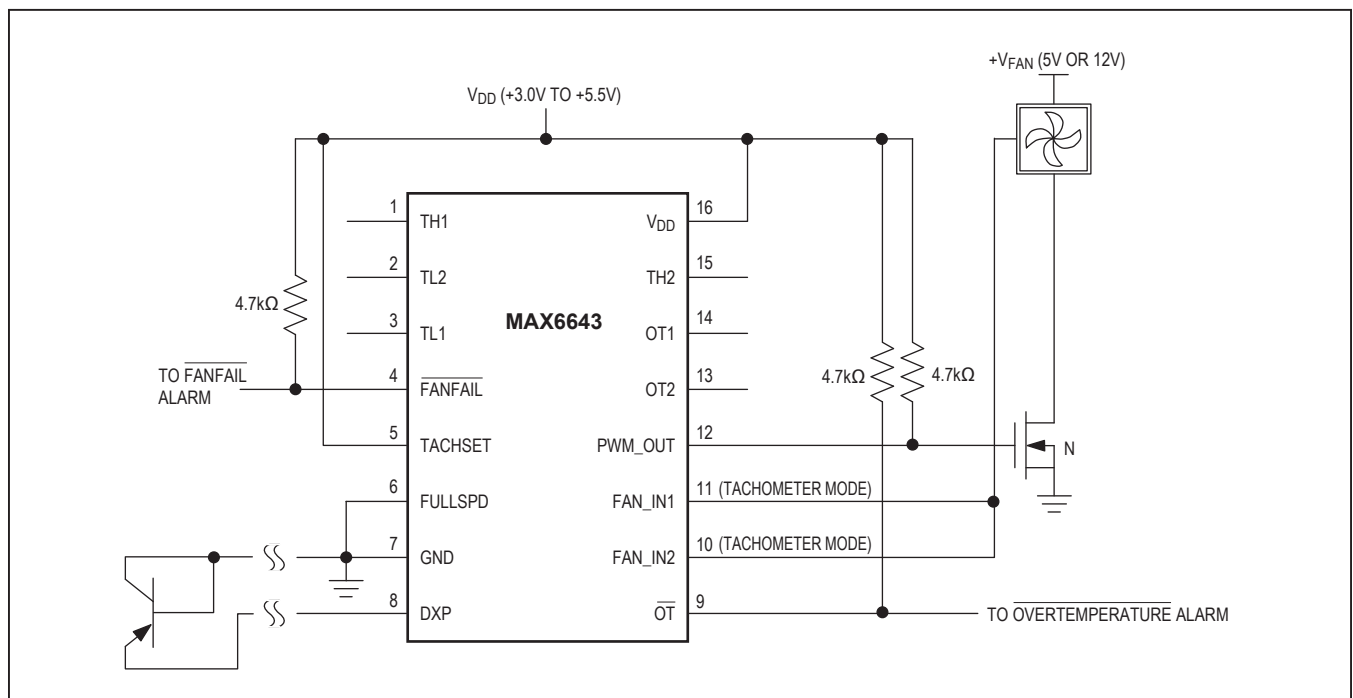
### Selector Guide

PART	PACKAGE-PINS	STARTUP DELAY (s)	SPIN-UP TIME (s)	START DUTY CYCLE (%)	MINIMUM DUTY CYCLE (%)	CHANNELS	TL (°C)	TH (°C)	OT (°C)	FAN_IN1	FAN_IN2
MAX6643 LBFAEE	QSOP-16	0.5	8	40	40	Remote, local	15 to 55	20 to 60	60 to 100	Tach/off	Tach/off
MAX6643 LBBAEE	QSOP-16	0.5	8	30	30	Remote, local	15 to 55	20 to 60	60 to 100	Tach/off	Tach/off
MAX6644 LBAAEE	QSOP-16	0.5	8	30	0	Remote, remote	15 to 55	20 to 60	60 to 100	Locked rotor/tach/current sense	Locked rotor/tach/current sense
MAX6645 ABFAUB	μMAX-10	0.5	8	40	40	Remote, remote	45	50	75	Locked rotor/tach/current sense	Locked rotor/tach/current sense

**Block Diagram**



**Typical Operating Circuit**

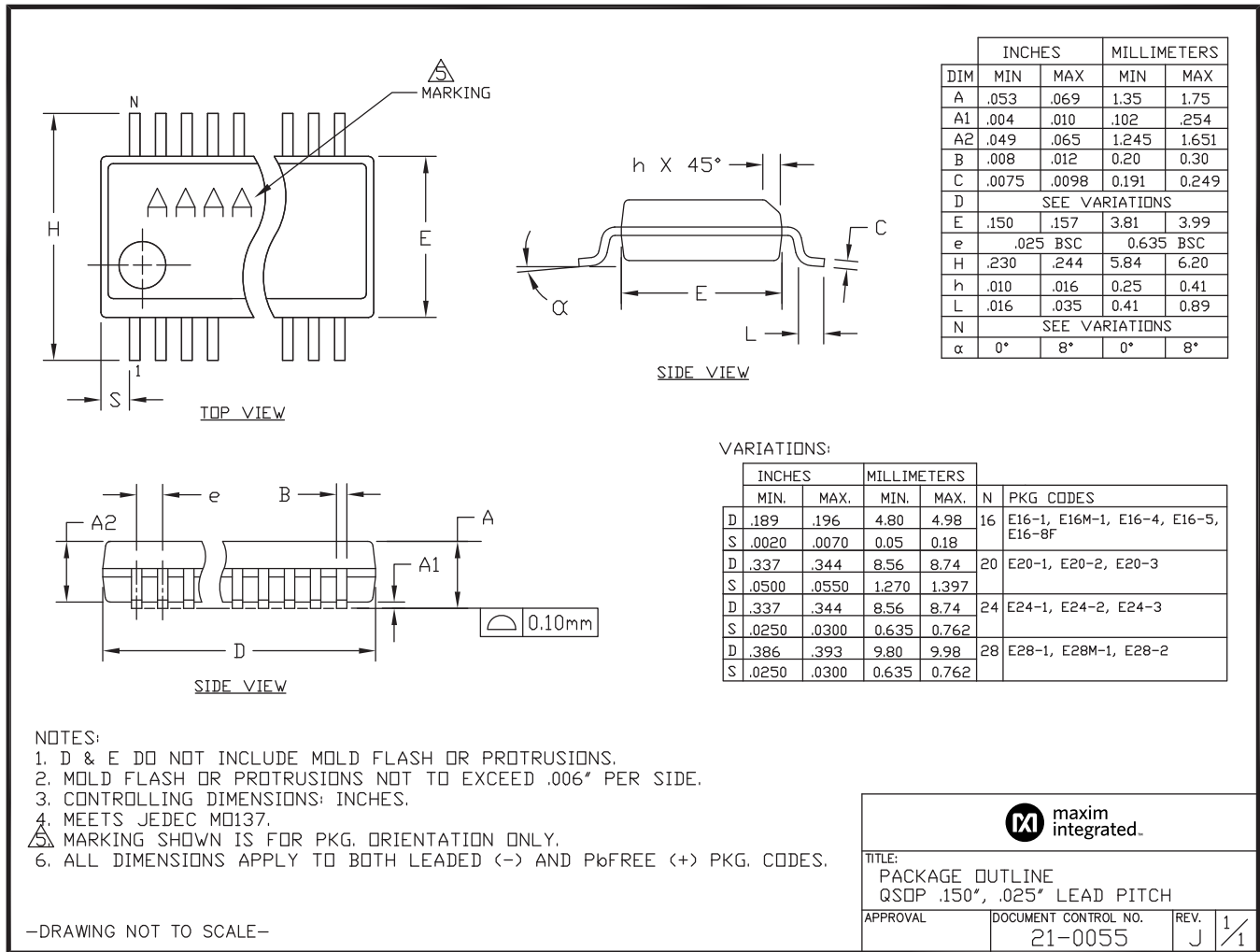


# MAX6643/MAX6644/ MAX6645

## Automatic PWM Fan-Speed Controllers with Overtemperature Output

### Package Information

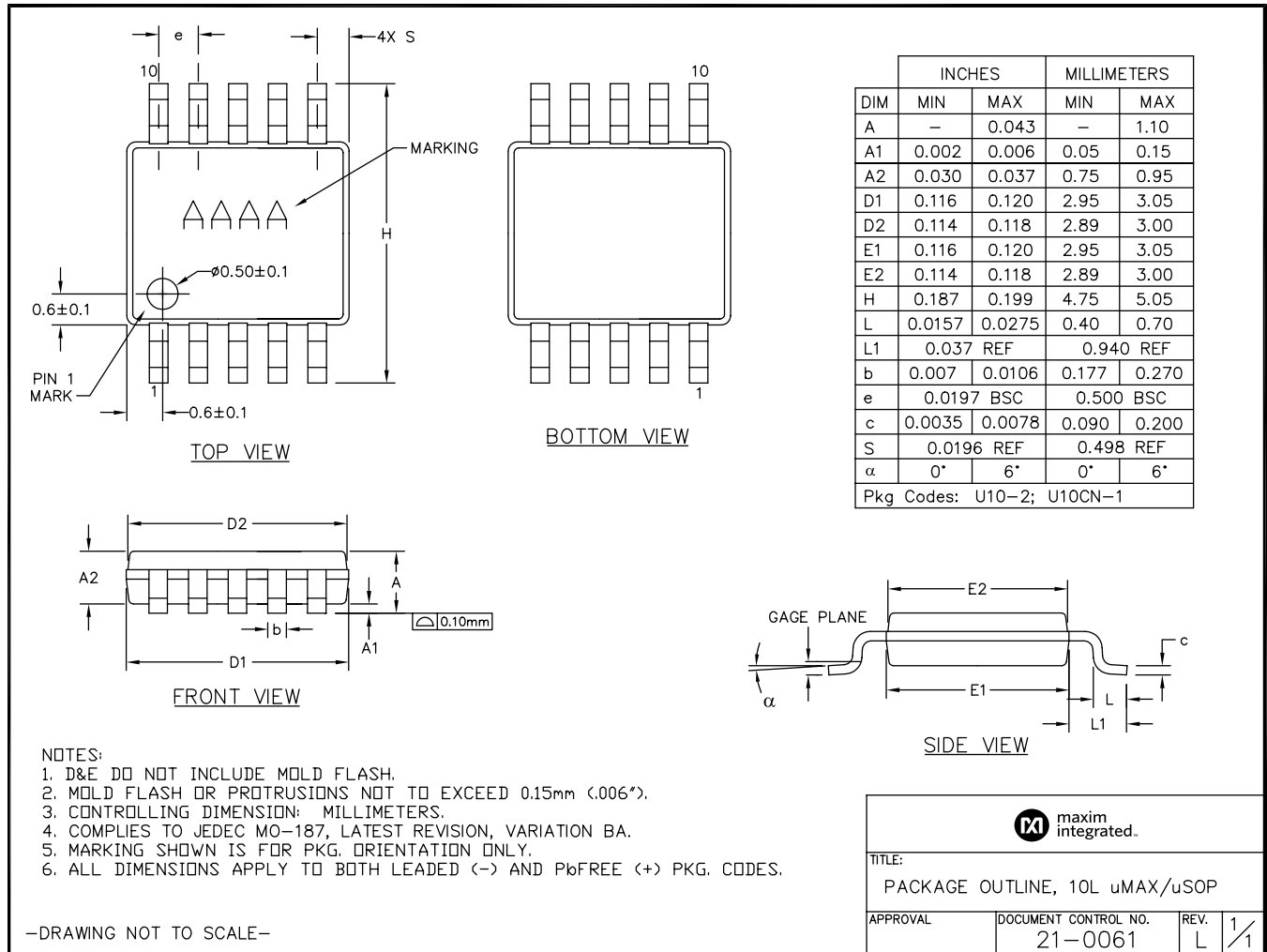
For the latest package outline information and land patterns (footprints), go to [www.maximintegrated.com/packages](http://www.maximintegrated.com/packages). Note that a "+", "#", or "-" in the package code indicates RoHS status only. Package drawings may show a different suffix character, but the drawing pertains to the package regardless of RoHS status.





**Package Information (continued)**

For the latest package outline information and land patterns (footprints), go to [www.maximintegrated.com/packages](http://www.maximintegrated.com/packages). Note that a "+", "#", or "-" in the package code indicates RoHS status only. Package drawings may show a different suffix character, but the drawing pertains to the package regardless of RoHS status.



### Revision History

REVISION NUMBER	REVISION DATE	DESCRIPTION	PAGES CHANGED
3	6/19	Removed $\overline{\text{FULLSPD}}$ and description throughout the Datasheet. Updated <i>PWM Output</i> section, Table 1, Table 2, Table 4, and <i>Effect of Series Resistance</i> section, .	1–6, 11, 12, 14, 15,



*Information furnished by Analog Devices is believed to be accurate and reliable. However, no responsibility is assumed by Analog Devices for its use, nor for any infringements of patents or other rights of third parties that may result from its use. Specifications subject to change without notice. No license is granted by implication or otherwise under any patent or patent rights of Analog Devices. Trademarks and registered trademarks are the property of their respective owners.*

## X-ON Electronics

Largest Supplier of Electrical and Electronic Components

*Click to view similar products for [Motor/Motion/Ignition Controllers & Drivers](#) category:*

*Click to view products by [Analog Devices](#) manufacturer:*

Other Similar products are found below :

[10](#) [100005](#) [0003](#) [1107460](#) [26700](#) [418581EB](#) [418582CB](#) [4489](#) [707003F](#) [9724](#) [A3906SESTR-T](#) [A3908EEETR-T](#) [A3930KJPTR-T](#)  
[A3967SLBTR-T](#) [A3979SLPTR-T](#) [A4933KJPTR-T](#) [A4949GLJTR-T](#) [A4950ELJTR-T](#) [A4954ELPTR-T](#) [A4959GLPTR-T](#) [A4985SESTR-T](#)  
[A4987SLPTR-T](#) [A4988SETTR-T](#) [A4990 FOR ARDUINO](#) [A5932GESSR-T](#) [ADT7476ARQZ-REEL](#) [ADT7490ARQZ-REEL](#) [AH286-PL-B](#)  
[AH293-PL-B](#) [AH2984-PG-B](#) [AH2985-P-B](#) [AH5772-P-B](#) [AH5773-FDC-7](#) [AH5773-MP-13](#) [AH5775-P-B](#) [AH9485-WUF-7](#) [AH9486-WUF-7](#)  
[AiP6150](#) [AM4406FMTR-G1](#) [AM4962GHTR-G1](#) [AMC6821SDBQ](#) [AMC6821SDBQR](#) [AMIS-30543 STEPPER MOTOR DRIVER CARRIER](#)  
[AMIS30621C6213G](#) [AMIS30623C6238G](#) [AMIS30624C6245RG](#) [AN44063A-VF](#) [AN44069A-VF](#) [AP1511B](#) [APX284EI-PBG](#) [APX9166EI-](#)  
[PBG](#) [APX9358PQFI-TRG](#)