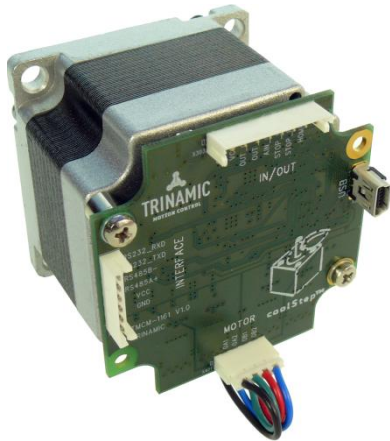


Hardware Version V1.0

HARDWARE MANUAL

+



+

PD-1161

Stepper Motor with
Controller/Driver
0.55... 3.1Nm / 24V DC
sens0step™ Encoder
USB, RS485, and RS232

+

+

UNIQUE FEATURES:



coolStep™

stallGuard²

TRINAMIC Motion Control GmbH & Co. KG
Hamburg, Germany

www.trinamic.com

TRINAMIC
MOTION CONTROL

Table of Contents

1	Features.....	3
2	Order Codes	5
3	Mechanical and Electrical Interfacing.....	6
3.1	PD-1161 and PD-1161 Dimensions.....	6
3.1.1	PD57-1161 Dimensions	6
3.1.2	PD60-1161 Dimensions	7
3.2	Connectors of PD-1161.....	8
3.2.1	Interface and Power Supply Connector	9
3.2.2	USB Connector	11
3.2.3	In/Out Connector.....	12
3.2.4	Motor Connector.....	13
4	Reset to Factory Defaults.....	14
5	On-board LEDs.....	15
6	Operational Ratings	16
7	Torque Curves	17
7.1	Curves of PD57-1161.....	17
7.1.1	PD57-1-1161 Torque Curves.....	17
7.1.2	PD57-2-1161 Torque Curves.....	18
7.2	Curves of PD60-1161.....	19
7.2.1	PD60-3-1161 Torque Curves.....	19
7.2.2	PD60-4-1161 Torque Curves.....	19
8	Functional Description.....	20
9	PD-1161 Operational Description.....	21
9.1	Calculation: Velocity and Acceleration vs. Microstep and Fullstep Frequency.....	21
10	Life Support Policy.....	23
11	Revision History.....	24
11.1	Document Revision.....	24
11.2	Hardware Revision	24
12	References	24

1 Features

The PANdrive™ PD-1161 is a full mechatronic solution with state of the art feature set. It is highly integrated and offers a convenient handling. The PD-1161 includes a stepper motor, controller/driver electronics, and TRINAMICs sensOstep™ encoder. It can be used in many decentralized applications and has been designed for 0.55... 3.1Nm max. holding torque and 24V DC nominal supply voltage. With its high energy efficiency from TRINAMIC's coolStep technology cost for power consumption is kept down. The TMCL™ firmware allows for standalone operation and direct mode.

MAIN CHARACTERISTICS

Motion controller

- Motion profile calculation in real-time
- On the fly alteration of motor parameters (e.g. position, velocity, acceleration)
- High performance microcontroller for overall system control and serial communication protocol handling

Bipolar stepper motor driver

- Up to 256 microsteps per full step
- High-efficient operation, low power dissipation
- Dynamic current control
- Integrated protection
- stallGuard2 feature for stall detection
- coolStep feature for reduced power consumption and heat dissipation

Encoder

- sensOstep magnetic encoder (max. 1024 positions per rotation) e.g. for step-loss detection under all operating conditions and positioning supervision

Interfaces

- inputs for stop switches (left and right) and home switch
- 1 analog input
- 2 general purpose outputs (open collector with freewheeling diodes)
- USB, RS232, and RS485 communication interfaces

Software

- TMCL: standalone operation or remote controlled operation, program memory (non volatile) for up to 2048 TMCL commands, and PC-based application development software TMCL-IDE available for free.

Electrical and mechanical data

- Supply voltage: +24V DC nominal (10... 30V DC)
- Motor current: up to 2.8A RMS (programmable)
- 0.5... 3.1Nm max. holding torque (depends on motor)
- With NEMA23 (57mm motor flange size) or NEMA24 (60mm motor flange size) stepper motor

Refer to separate TMCL Firmware Manual, too.

TRINAMICS UNIQUE FEATURES – EASY TO USE WITH TMCL

stallGuard2™ stallGuard2 is a high-precision sensorless load measurement using the back EMF on the coils. It can be used for stall detection as well as other uses at loads below those which stall the motor. The stallGuard2 measurement value changes linearly over a wide range of load, velocity, and current settings. At maximum motor load, the value goes to zero or near to zero. This is the most energy-efficient point of operation for the motor.

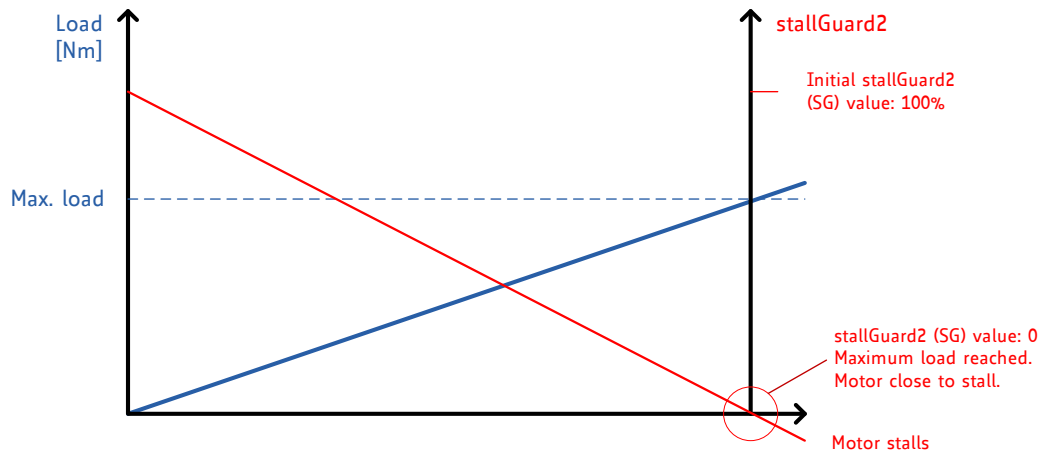


Figure 1.1 stallGuard2 load measurement SG as a function of load

coolStep™ coolStep is a load-adaptive automatic current scaling based on the load measurement via stallGuard2 adapting the required current to the load. Energy consumption can be reduced by as much as 75%. coolStep allows substantial energy savings, especially for motors which see varying loads or operate at a high duty cycle. Because a stepper motor application needs to work with a torque reserve of 30% to 50%, even a constant-load application allows significant energy savings because coolStep automatically enables torque reserve when required. Reducing power consumption keeps the system cooler, increases motor life, and allows reducing cost.

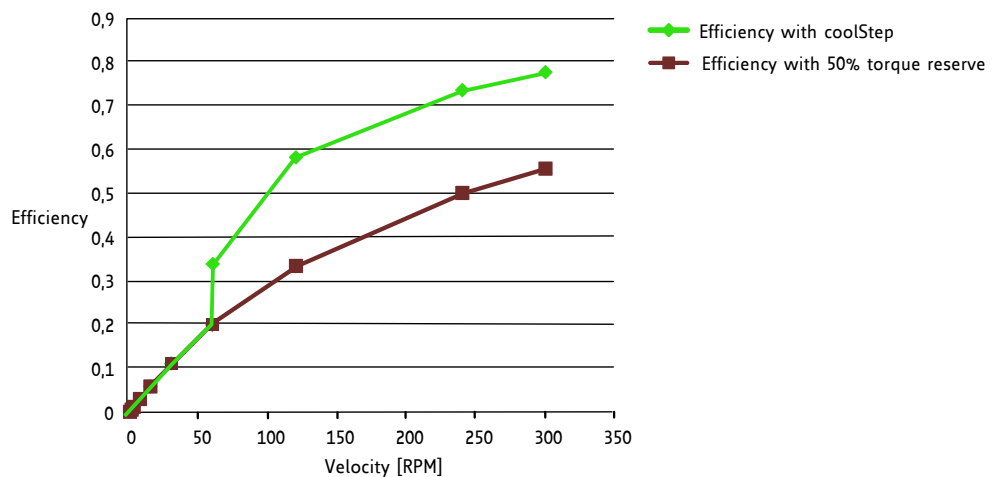


Figure 1.2 Energy efficiency example with coolStep

2 Order Codes

The PD-1161 is currently available with two different stepper motor series (NEMA23 / 57mm flange size or NEMA24 / 60mm flange size):

With NEMA 23 / 57mm flange size motor:

The length of the PANdrives is specified without the length of the axis. For the overall length of the product please add 24mm.

Order code	Description	Size (mm ³)
PD57-1-1161	PANdrive with 0.55Nm max./holding torque	60 x 60 x 58
PD57-2-1161	PANdrive with 1.01Nm max./holding torque	60 x 60 x 68

Table 2.1 Order codes (PD57-1161)

With NEMA 24 / 60mm flange size motor:

The length of the PANdrives is specified without the length of the axis. For the total length of the product add 24mm.

Order code	Description	Size (mm ³)
PD60-3-1161	PANdrive with 2.10Nm max./holding torque	60 x 60 x 82
PD60-4-1161	PANdrive with 3.10Nm max./holding torque	60 x 60 x 103

Table 2.2 Order codes (PD60-1161)

A cable loom set is available for this module:

Order code	Description
TMCM-1161-CABLE	Cable loom for PD-1161: <ul style="list-style-type: none"> - 1x cable for interface connector - 1x cable for In/Out connector - 1x cable for motor connector - 1x USB type A connector to mini-USB type B connector cable

Table 2.3 Cable loom order codes

3 Mechanical and Electrical Interfacing

3.1 PD-1161 and PD-1161 Dimensions

3.1.1 PD57-1161 Dimensions

The PD57-1161 includes the TCMC-1161 stepper motor controller/driver module, the magnetic encoder based on sensOstep technology and a NEMA23 bipolar stepper motor. Currently, there is a choice between four NEMA 23/57mm bipolar stepper motors with different lengths and different holding torques.

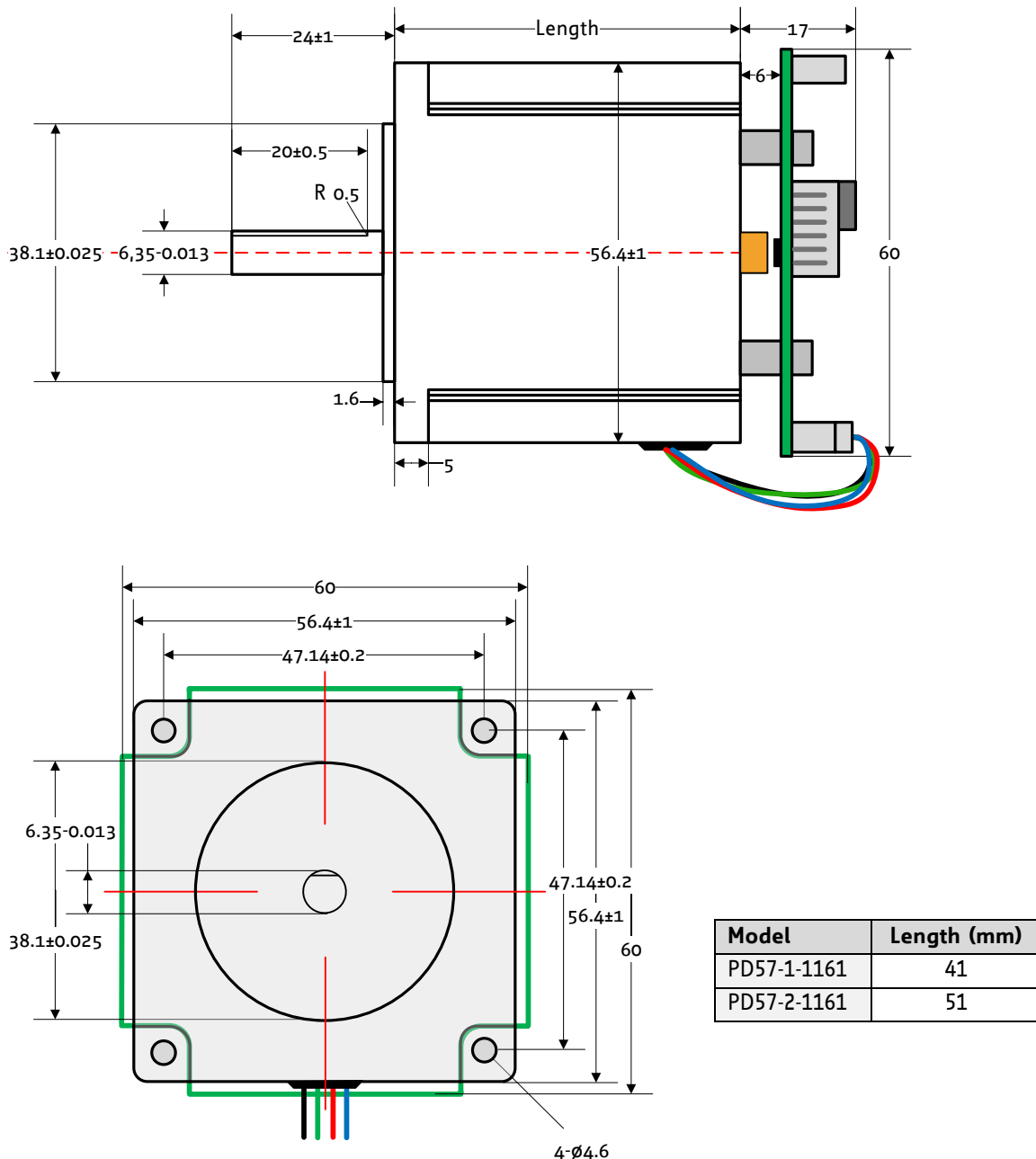


Figure 3.1 Dimensions of PD57-1161

3.1.2 PD60-1161 Dimensions

Currently, there is a choice between four NEMA 24/60mm bipolar stepper motors with different lengths and different holding torques.

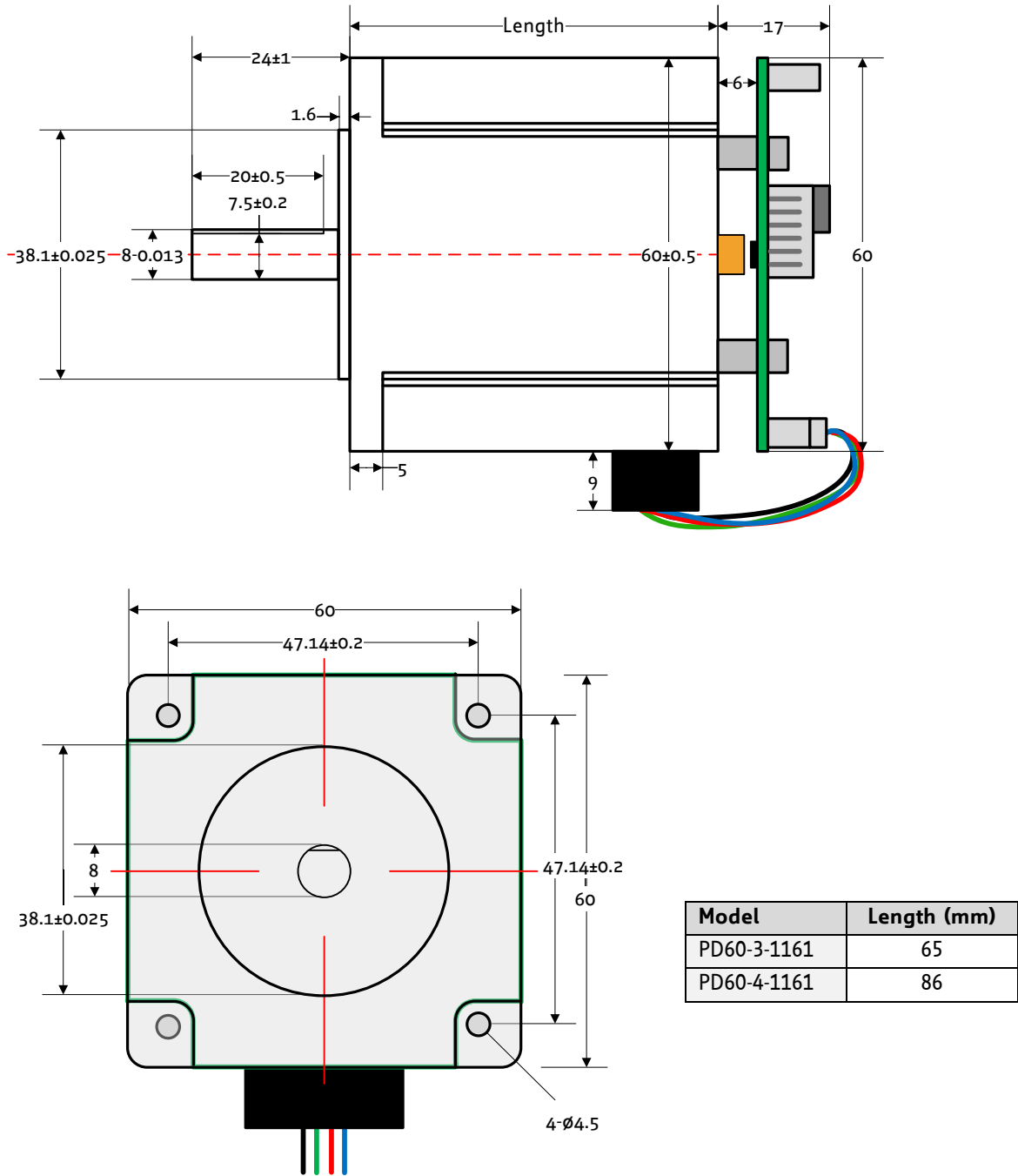


Figure 3.2 Dimensions of PD60-1161

3.2 Connectors of PD-1161

The controller/driver board for the PD-1161 offers four connectors including the motor connector which is used for attaching the motor coils to the electronics. There are two connectors for serial communication (one for USB and one for RS232/RS485) and one connector for I/O signals and switches.

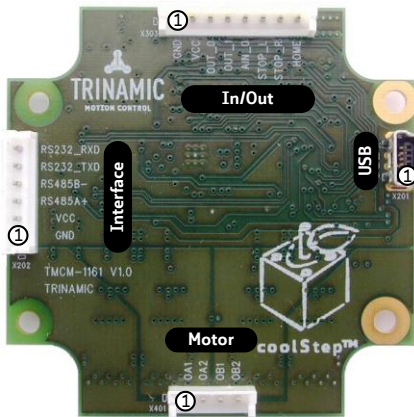


Figure 3.3 Overview connectors

Domain	Connector type	Mating connector type
Interface / Power	JST B6B-EH-A, 2.5mm pitch connector header, vertical	JST EHR-6, female crimp connector housing; crimp contacts JST SEH-001T-P0.6
Motor	JST B4B-EH-A, 2.5mm pitch connector header, vertical	JST EHR-4, female crimp connector housing; crimp contacts JST SEH-001T-P0.6
In/Out	JST B8B-EH-A, 2.5mm pitch connector header, vertical	JST EHR-8, female crimp connector housing; crimp contacts JST SEH-001T-P0.6
USB	Mini-USB type B vertical female	Mini-USB type B, male

3.2.1 Interface and Power Supply Connector

Pin	Label	Description
1	GND	Module and signal ground
2	VCC	10... 30V DC power supply / nom. 24V DC
3	RS485A+	RS485 non-inverted bus signal
4	RS485B-	RS485 inverted bus signal
5	RS232_TxD	RS232 transmit data from module
6	RS232_RxD	RS232 receive data to module

Table 3.1 Connector for power supply and interfaces

3.2.1.1 Power Supply





When using supply voltages near the upper limit, a regulated power supply is mandatory. The power supply should be designed in a way, that it supplies the nominal motor voltage at the desired maximum motor power.

To ensure reliable operation of the unit, the power supply has to have a sufficient output capacitor and the supply cables should have a low resistance, so that the chopper operation does not lead to an increased power supply ripple directly at the unit. Power supply ripple due to the chopper operation should be kept at a maximum of a few 100mV.

HINTS FOR POWER SUPPLY CABLES

- Keep power supply cables as short as possible.
- Use large diameters for power supply cables.

CAUTION!

	<p>Add external power supply capacitors!</p> <p>It is recommended to connect an electrolytic capacitor of significant size (2200µF or larger recommended) to the power supply lines next to the TCM-1161 especially if the distance to the power supply is large (i.e. more than 2-3m)!</p> <p>Rule of thumb for size of electrolytic capacitor: $c = 1000 \frac{\mu\text{F}}{\text{A}} \times I_{\text{SUPPLY}}$</p> <p>In addition to power stabilization (buffer) and filtering this added capacitor will also reduce any voltage spikes which might otherwise occur from a combination of high inductance power supply wires and the ceramic capacitors. In addition it will limit slew-rate of power supply voltage at the module. The low ESR of ceramic-only filter capacitors may cause stability problems with some switching power supplies.</p>
	<p>Do not connect or disconnect motor during operation!</p> <p>Motor cable and motor inductivity might lead to voltage spikes when the motor is disconnected / connected while energized. These voltage spikes might exceed voltage limits of the driver MOSFETs and might permanently damage them. Therefore, always disconnect power supply before connecting / disconnecting the motor.</p>
	<p>Keep the power supply voltage below the upper limit of 30V!</p> <p>Otherwise the driver electronics will seriously be damaged! Especially, when the selected operating voltage is near the upper limit a regulated power supply is highly recommended. Please see also chapter 6 (operating values).</p>
	<p>There is no reverse polarity protection!</p> <p>The module will short any reversed supply voltage due to internal diodes of the driver transistors.</p>

3.2.1.2 RS485

For remote control and communication with a host system the PD-1161 provides a two wire RS485 bus interface. For proper operation the following items should be taken into account when setting up an RS485 network:

1. **BUS STRUCTURE:**

The network topology should follow a bus structure as closely as possible. That is, the connection between each node and the bus itself should be as short as possible. Basically, it should be short compared to the length of the bus.

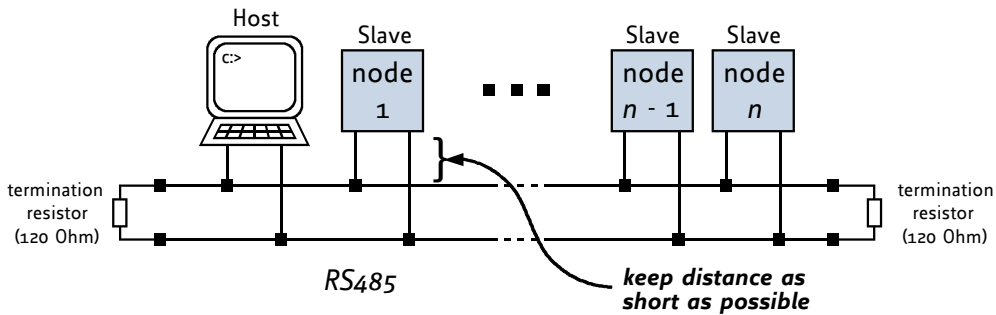


Figure 3.5: RS485 bus structure

2. **BUS TERMINATION:**

Especially for longer busses and/or multiple nodes connected to the bus and/or high communication speeds, the bus should be properly terminated at both ends. The PD-1161 does not integrate any termination resistor. Therefore, 120 Ohm termination resistors at both ends of the bus have to be added externally.

3. **NUMBER OF NODES:**

The RS-485 electrical interface standard (EIA-485) allows up to 32 nodes to be connected to a single bus. The bus transceiver used on the PD-1161 units (SN65HVD3082ED) has just 1/8th of the standard bus load and allows a maximum of 256 units to be connected to a single RS485 bus.

4. **NO FLOATING BUS LINES:**

Avoid floating bus lines while neither the host/master nor one of the slaves along the bus line is transmitting data (all bus nodes switched to receive mode). Floating bus lines may lead to communication errors. In order to ensure valid signals on the bus it is recommended to use a resistor network connecting both bus lines as well defined logic levels. In contrast to the termination resistors this network is normally required just once per bus. Certain RS485 interface converters available for PCs already include these additional resistors (e.g. USB-2-485).

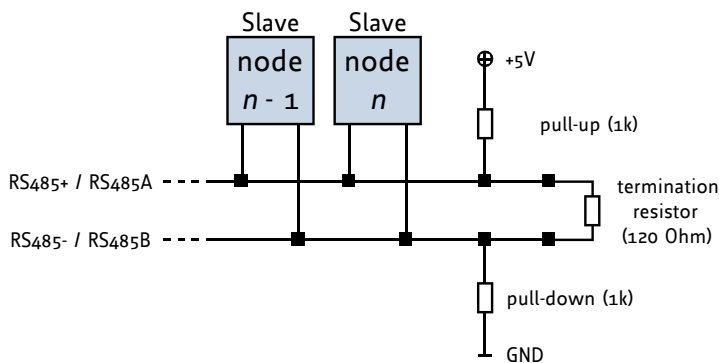


Figure 3.6: RS485 bus lines with resistor network

3.2.2 USB Connector

Pin	Label	Description
1	VBUS	+5V power
2	D-	Data -
3	D+	Data +
4	ID	not connected
5	GND	ground

Table 3.2 Mini USB connector

3.2.3 In/Out Connector

Pin	Label	Description
1	GND	Module ground (system and signal ground)
2	VCC	10... 30V DC power supply / nom. 24V DC
3	OUT_0	General purpose output, open collector
4	OUT_1	General purpose output, open collector
5	IN_0	Analog input, 0... 10V (analog to digital converter range)
6	STOP_L/ STEP/ IN_1	Digital input, +24V compatible, programmable internal pull-up.* Functionality can be selected in software: a) Left stop switch input (connected to REF1 input of TMC429 motion controller) b) Step signal (connected to step input of TMC262 stepper driver) c) General purpose input (connected to processor)
7	STOP_R/ DIR/ IN_2	Digital input +24V compatible, programmable internal pull-up.* Functionality can be selected in software: a) Right stop switch input (connected to REF3 input of TMC429 motion controller) b) Direction signal (connected to direction input of TMC262 stepper driver) c) General purpose input (connected to processor)
8	HOME/ ENABLE/ IN_3	Digital input +24V compatible, programmable internal pull-up.* Functionality can be chosen in software: a) Home switch input (connected to processor) b) Enable signal (connected to processor) c) General purpose input (connected to processor)

Table 3.3 In/Out connector

* It is possible to enable / disables pull-ups (1k to 5+V) in software for all three digital inputs. Pull-ups are always enabled / disabled for all three together / at the same time.

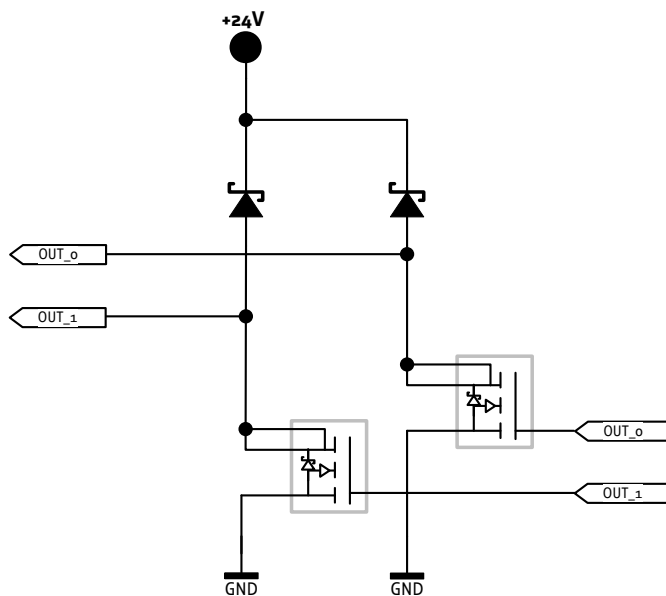


Figure 3.4 Internal circuit of OUT_0/1

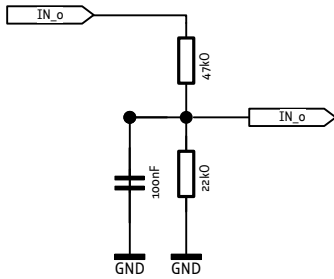


Figure 3.5 Internal circuit of IN_0

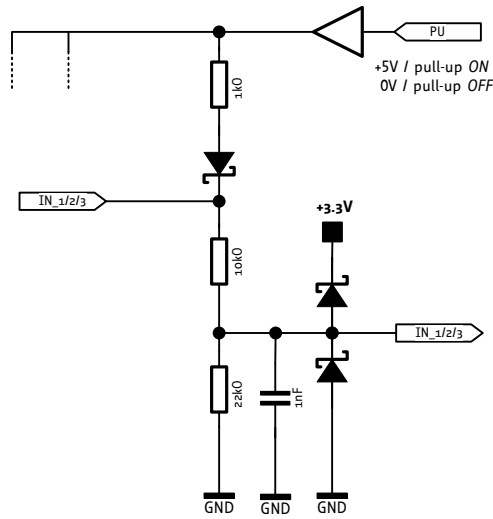


Figure 3.6 Internal circuit of IN_1/2/3

3.2.3.1 Limit Switches

The PD-1161 can be configured so that a motor has a left and a right limit switch. The motor stops when the traveler has reached one of the limit switches. An additional home switch might be used for initialization.

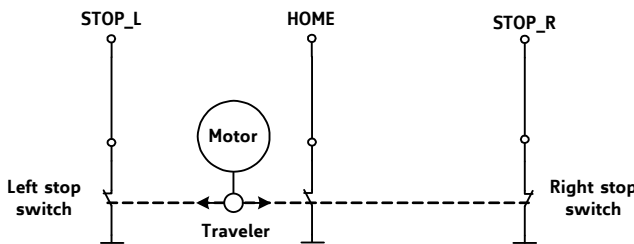


Figure 3.7 Limit switches and home switch

3.2.4 Motor Connector

Pin	Label	Description
1	OA1	Motor coil A
2	OA2	Motor coil A
3	OB1	Motor coil B
4	OB2	Motor coil B

Table 3.4 Motor connector

CAUTION!

Keep the electronics free of (metal) particles!

The integrated sensOstep encoder uses a magnet at the end of the motor axis in order to monitor position. The magnet naturally attracts especially tiny metal particles. These particles might be held on the top side of the PCB and even worse – start moving in accordance with the rotating magnetic field as soon as the motor starts moving. This might lead to shorts of electronic contacts / wires on the board and totally erratic behavior of the module! Use compressed air for cleaning the module if necessary.

4 Reset to Factory Defaults

It is possible to reset the PD-1161 to factory default settings without establishing a communication link. This might be helpful in case communication parameters of the preferred interface have been set to unknown values or got accidentally lost.

For this procedure two pads on the bottom side of the board have to be shortened (see figure 4.12).

Please perform the following steps:

1. Power supply off and USB cable disconnected
2. Short two pads as marked in Figure 4.1
3. Power up board (power via USB is sufficient for this purpose)
4. Wait until the on-board red and green LEDs start flashing fast (this might take a while)
5. Power-off board (disconnect USB cable)
6. Remove short between pads
7. After switching on power-supply / connecting USB cable all permanent settings have been restored to factory defaults

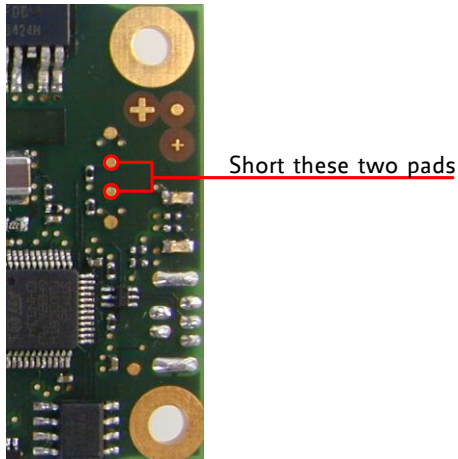


Figure 4.1 Reset to factory default settings

5 On-board LEDs

The board offers two LEDs in order to indicate board status. The function of both LEDs is dependent on the firmware version. With standard TMCL firmware the green LED should be slowly flashing during operation and the red LED should be off.

When there is no valid firmware programmed into the board or during firmware update the red and green LEDs are permanently on.

BEHAVIOR OF LEDs WITH STANDARD TMCL FIRMWARE

Status	Label	Description
Heartbeat	Run	This green LED flashes slowly during operation.
Error	Error	This red LED lights up if an error occurs.

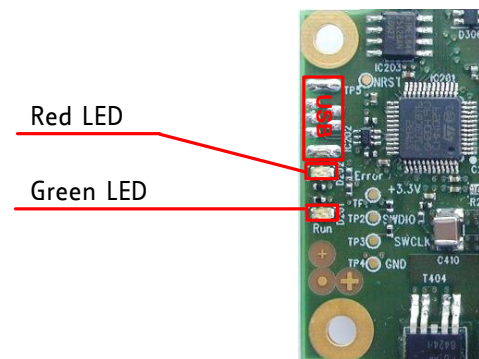


Figure 5.1 on-board LEDs

6 Operational Ratings

The operational ratings shown below should be used as design values. In no case should the maximum values been exceeded during operation.

Symbol	Parameter	Min	Typ	Max	Unit
V _{CC}	Power supply voltage for operation	10	24	30	V DC
V _{USB}	Power supply via USB connector		5		V
I _{USB}	Current withdrawn from USB supply when USB bus powered (no other supply connected)		40		mA
I _{COIL_peak}	Motor coil current for sine wave peak (chopper regulated, adjustable via software)	0		4	A
I _{COIL_RMS}	Continuous motor current (RMS)	0		2.8	A
I _{SUPPLY}	Power supply current		<< I _{COIL}	1.4 * I _{COIL}	A
T _{ENV}	Environment temperature at rated current (no forced cooling required)	-35 ^{*)}		+50	°C

Table 6.1 General operational ratings of the module

^{*)} limited by test equipment. Includes power-up / cold start at this temperature. It can be expected that the module will work down to -40°C.

Note:

The motor might heat up well above 50°C when running at full current without proper cooling. This might substantially increase the environmental temperature for the electronics.

When using the coolStep™ operation mode, the actual motor current might be substantially less than max. programmed current which will significantly reduce power dissipation and motor temperature.

Symbol	Parameter	Min	Typ	Max	Unit
V _{STOP_L/R_HOME}	Input voltage for stop / home switch inputs STOP_L / STOP_R and HOME (also valid when configured for alternate function)	0		28	V
V _{STOP_L/R_HOME_L}	Low level voltage for stop / home switch inputs STOP_L / STOP_R and HOME (also valid when configured for alternate function)	0		1.1	V
V _{STOP_L/R_HOME_H}	High level voltage for stop / home switch inputs STOP_L / STOP_R and HOME (also valid when configured for alternate function)	2.9		28	V
V _{OUT_0/1}	Voltage at open collector output OUT_0 / OUT_1	0		V _{CC}	V
I _{OUT_0/1}	Output sink current for OUT_0 / OUT_1			100	mA
V _{IN_0}	Full scale input voltage range for analog input IN_0	0		10	V

Table 6.2 Operational ratings of general purpose I/Os

Symbol	Parameter	Min	Typ	Max	Unit
N _{RS485}	Number of nodes connected to single RS485 network			256	

Table 6.4 Operational ratings of the RS485 interface

7 Torque Curves

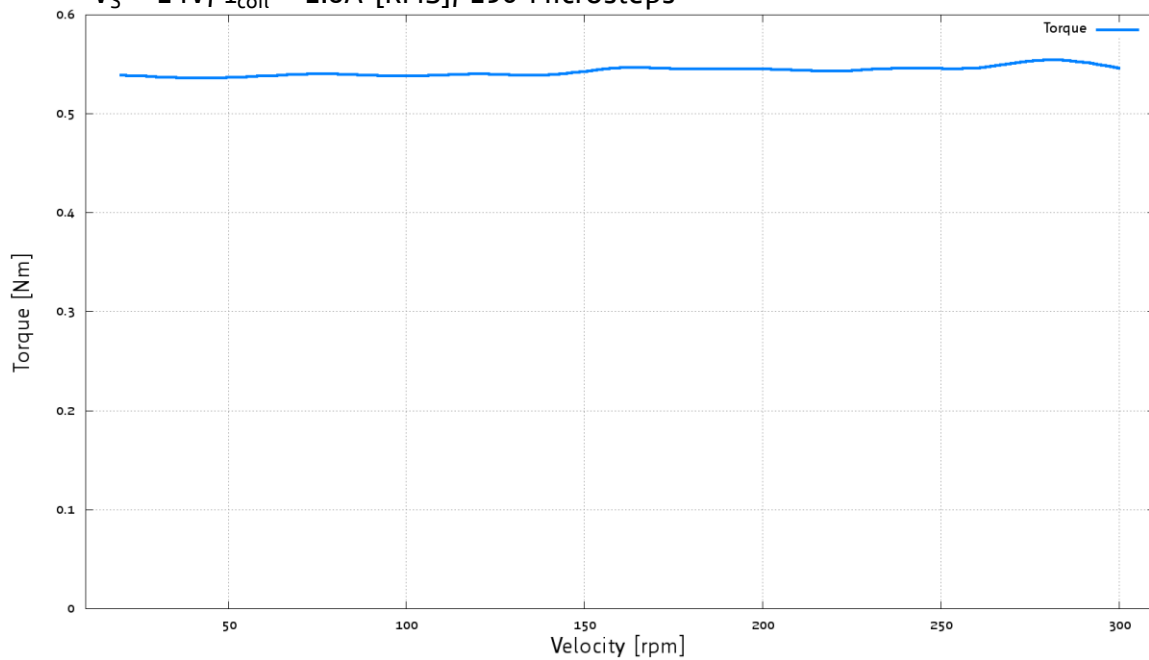
TRINAMIC offers the TCMC-1161 in combination with two different stepper motor series: QSH5718 and QSH6018. The following paragraphs will show you the curves of each PANdrive.

7.1 Curves of PD57-1161

7.1.1 PD57-1-1161 Torque Curves

TCMC-1161 – QSH5718-41-28-055 – Torque versus Velocity

$V_S = 24V$; $I_{coil} = 2.8A$ [RMS]; 256 Microsteps



TCMC-1161 – QSH5718-41-28-055 – Torque versus Velocity

$V_S = 24V$; $I_{coil} = 2.8A$ [RMS]; 256 Microsteps

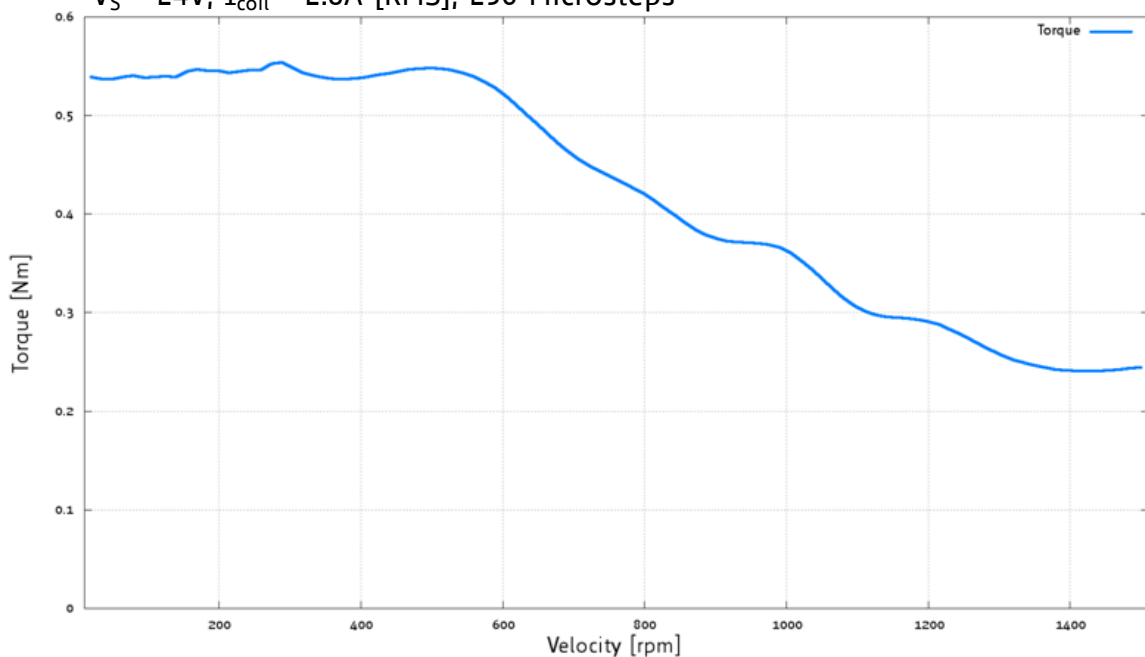
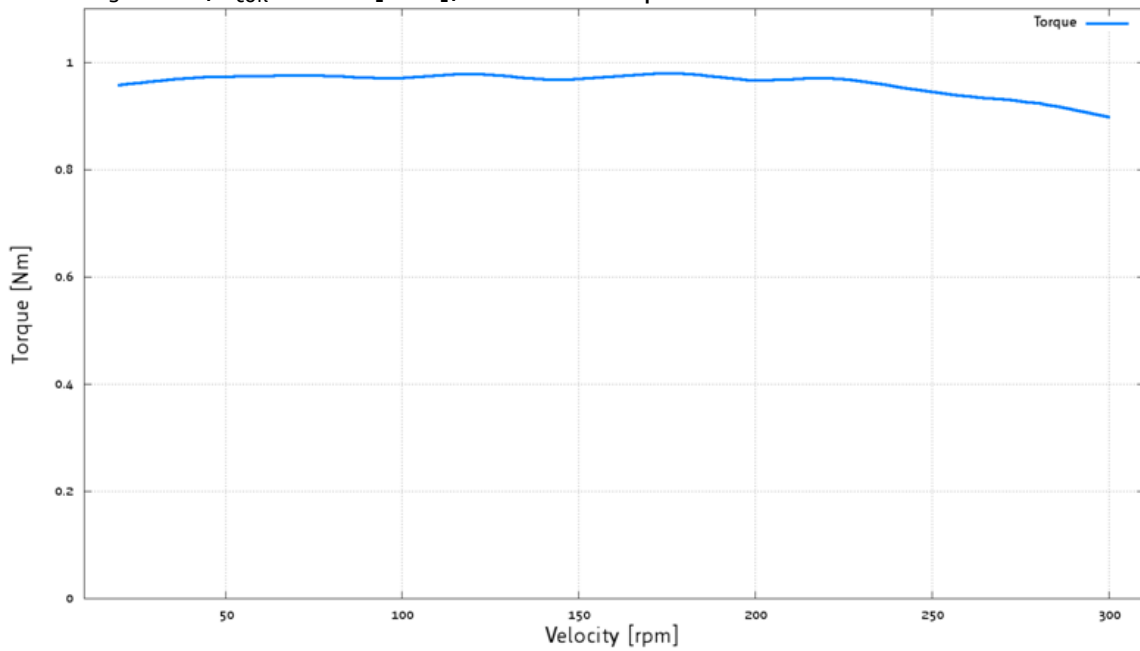


Figure 7.1 PD57-1-1161 torque vs. velocity 24V / 2.8A, 256μsteps

7.1.2 PD57-2-1161 Torque Curves

TMC1161 – QSH5718-51-28-101 – Torque versus Velocity
 $V_S = 24V$; $I_{coil} = 2.8A$ [RMS]; 256 Microsteps



TMC1161 – QSH5718-51-28-101 – Torque versus Velocity
 $V_S = 24V$; $I_{coil} = 2.8A$ [RMS]; 256 Microsteps

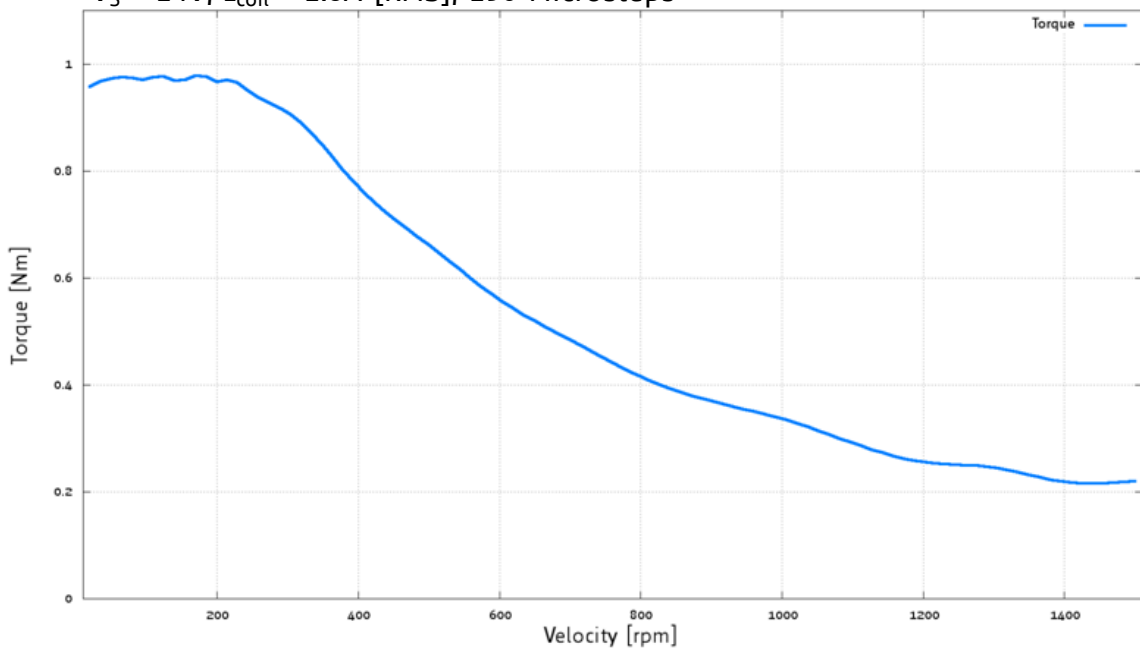


Figure 7.2 PD57-2-1161 torque vs. velocity 24V / 2.8A, 256μsteps

7.2 Curves of PD60-1161

7.2.1 PD60-3-1161 Torque Curves

TMC1161 – QSH6018-65-28-210 – Torque versus Velocity
 $V_S = 24V$; $I_{coil} = 2.8A$ [RMS]

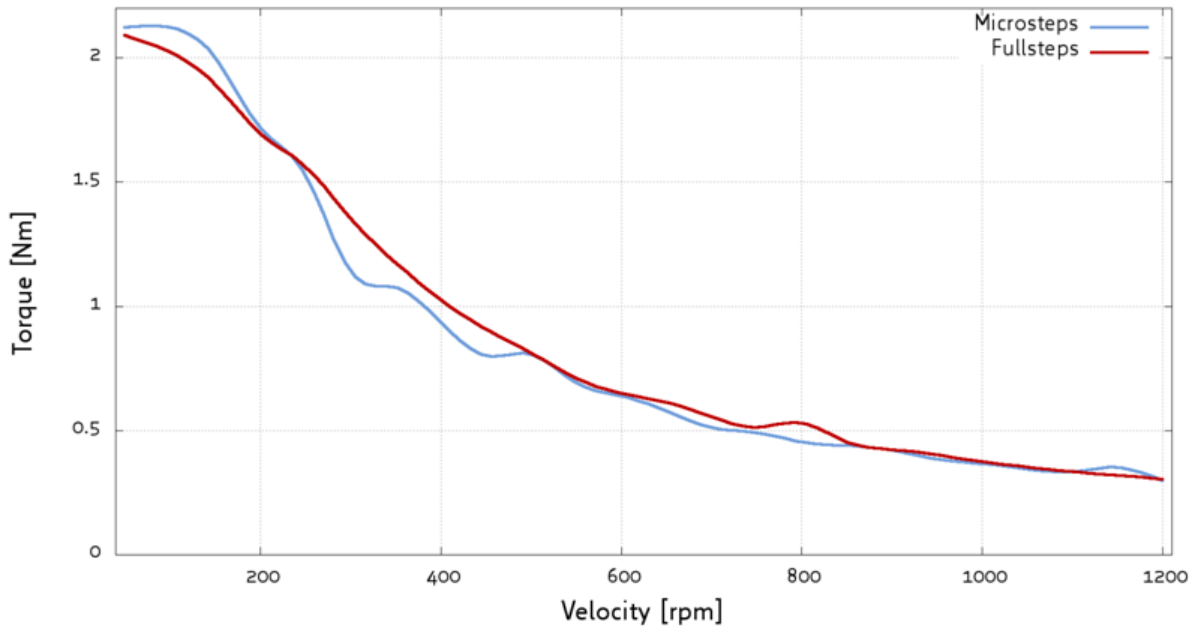


Figure 7.3: PD60-3-1161 torque vs. velocity 24V / 2.8A

7.2.2 PD60-4-1161 Torque Curves

TMC1161 – QSH6018-86-28-310 – Torque versus Velocity
 $V_S = 24V$; $I_{coil} = 2.8A$ [RMS]

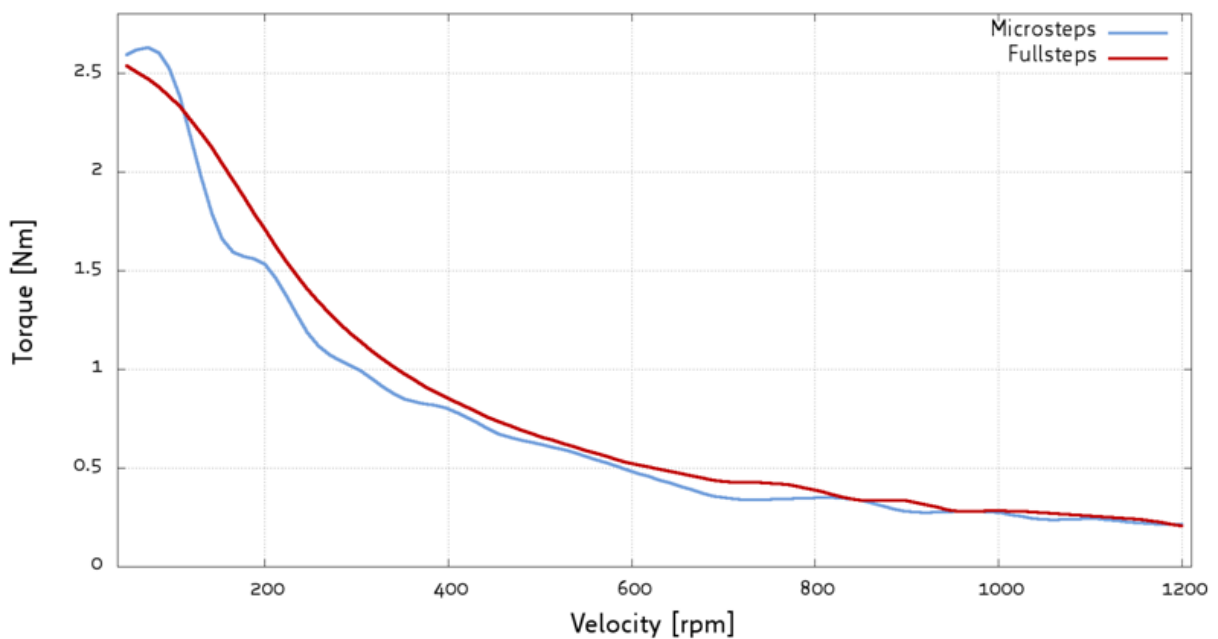


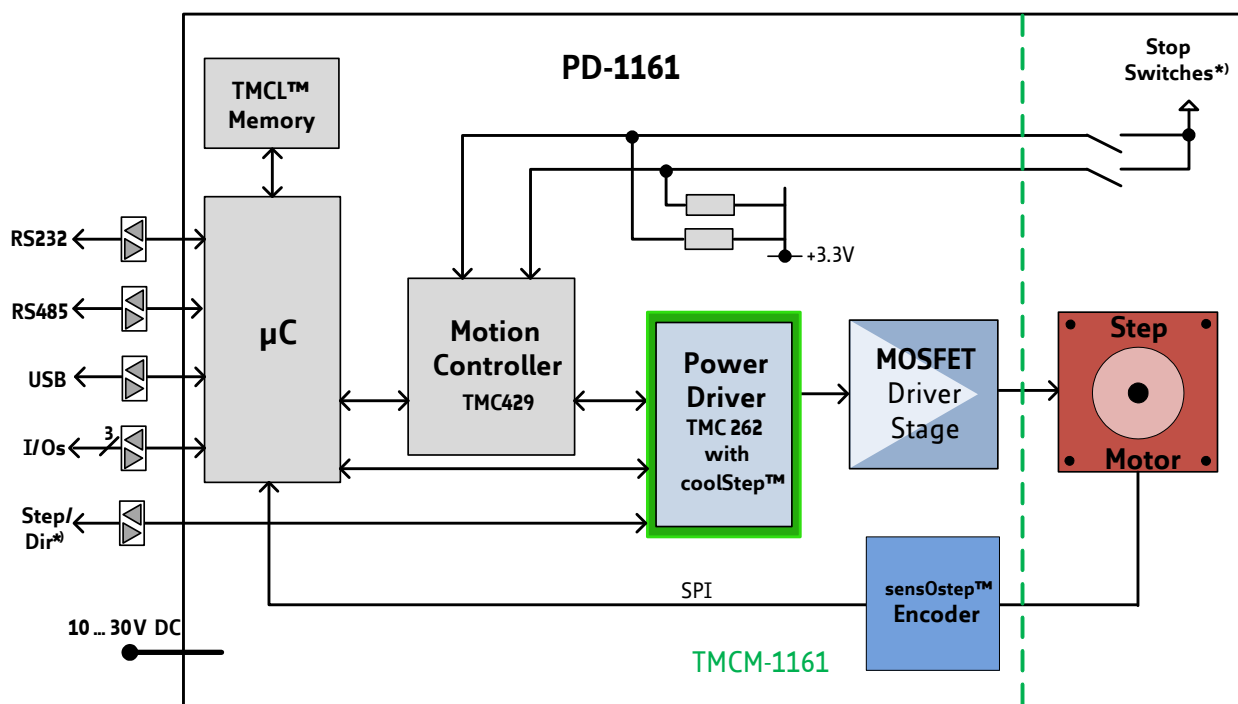
Figure 7.4: PD60-4-1161 torque vs. velocity 24V / 2.8A

8 Functional Description

The PD-1161 is a highly integrated mechatronic device which can be controlled via several serial interfaces. Communication traffic is kept low since all time critical operations, e.g. ramp calculations are performed on board. Nominal supply voltage of the unit is 24V DC. The PANdrive is designed for both: direct mode and standalone operation. Full remote control of device with feedback is possible. The firmware of the module can be updated via any of the serial interfaces.

In Figure 8.1 the main parts of the PD-1161 are shown:

- the microprocessor, which runs the TMCL operating system (connected to TMCL memory),
- the motion controller, which calculates ramps and speed profiles internally by hardware,
- the power driver with its energy efficient coolStep feature,
- the MOSFET driver stage,
- the QSH stepper motor, and
- the sensOstep encoder with resolutions of 10bit (1024 steps) per revolution.



*) The module offers three additional inputs. Functionality can be chosen by software:

- a) STOP_L / STOP_R / HOME
- b) STEP/DIR interface
- c) 3 general purpose inputs

Figure 8.1 Main parts of the PD-1161

The PD-1161 comes with the PC based software development environment TMCL-IDE for the Trinamic Motion Control Language (TMCM). Using predefined TMCL high level commands like *move to position* a rapid and fast development of motion control applications is guaranteed. Please refer to the PD-1161 Firmware Manual for more information about TMCL commands.

9 PD-1161 Operational Description

9.1 Calculation: Velocity and Acceleration vs. Microstep and Fullstep Frequency

The values of the parameters sent to the TMC429 do not have typical motor values like rotations per second as velocity. But these values can be calculated from the TMC429 parameters as shown in this section.

PARAMETERS OF TMC429

Signal	Description	Range
f_{CLK}	clock-frequency	16 MHz
velocity	-	0... 2047
a_max	maximum acceleration	0... 2047
pulse_div	divider for the velocity. The higher the value is, the less is the maximum velocity default value = 0	0... 13
ramp_div	divider for the acceleration. The higher the value is, the less is the maximum acceleration default value = 0	0... 13
Usrs	microstep-resolution (microsteps per fullstep = 2^{Usrs})	0... 8

Table 9.1 TMC429 velocity parameters

The **microstep-frequency** of the stepper motor is calculated with

$$usf[Hz] = \frac{f_{CLK}[Hz] \cdot velocity}{2^{pulse_div} \cdot 2048 \cdot 32} \quad \text{with usf: microstep-frequency}$$

To calculate the **fullstep-frequency** from the microstep-frequency, the microstep-frequency must be divided by the number of microsteps per fullstep.

$$fsf[Hz] = \frac{usf[Hz]}{2^{Usrs}} \quad \text{with fsf: fullstep-frequency}$$

The change in the pulse rate per time unit (pulse frequency change per second – the **acceleration a**) is given by

$$a = \frac{f_{CLK}^2 \cdot a_{max}}{2^{pulse_div+ramp_div+29}}$$

This results in acceleration in fullsteps of:

$$af = \frac{a}{2^{Usrs}} \quad \text{with af: acceleration in fullsteps}$$

Example:

Signal	value
f _{CLK}	16 MHz
velocity	1000
a _{max}	1000
pulse_div	1
ramp_div	1
usrs	6

$$msf = \frac{16 \text{ MHz} \cdot 1000}{2^1 \cdot 2048 \cdot 32} = \underline{\underline{122070.31 \text{ Hz}}}$$

$$fsf [\text{Hz}] = \frac{122070.31}{2^6} = \underline{\underline{1907.34 \text{ Hz}}}$$

$$a = \frac{(16 \text{ MHz})^2 \cdot 1000}{2^{1+1+29}} = \underline{\underline{119.21 \frac{\text{MHz}}{\text{s}}}}$$

$$af = \frac{119.21 \frac{\text{MHz}}{\text{s}}}{2^6} = \underline{\underline{1.863 \frac{\text{MHz}}{\text{s}}}}$$

Calculation of the number of rotations:

A stepper motor has e.g. 72 fullsteps per rotation.

$$RPS = \frac{fsf}{\text{fullsteps per rotation}} = \frac{1907.34}{72} = 26.49$$

$$RPM = \frac{fsf \cdot 60}{\text{fullsteps per rotation}} = \frac{1907.34 \cdot 60}{72} = 1589.46$$

10 Life Support Policy

TRINAMIC Motion Control GmbH & Co. KG does not authorize or warrant any of its products for use in life support systems, without the specific written consent of TRINAMIC Motion Control GmbH & Co. KG.

Life support systems are equipment intended to support or sustain life, and whose failure to perform, when properly used in accordance with instructions provided, can be reasonably expected to result in personal injury or death.

© TRINAMIC Motion Control GmbH & Co. KG 2013

Information given in this data sheet is believed to be accurate and reliable. However neither responsibility is assumed for the consequences of its use nor for any infringement of patents or other rights of third parties, which may result from its use.

Specifications are subject to change without notice.

All trademarks used are property of their respective users.



11 Revision History

11.1 Document Revision

Version	Date	Author GE - Göran Eggers SD - Sonja Dwersteg	Description
1.00	2011-JUN-30	SD	Initial version
1.10	2011-AUG-22	GE	Updates for hardware version TMCM-1161_V10
1.11	2012-FEB-25	SD	First complete version
1.12	2012-03-13	SD	Torque curves corrected
1.13	2012-JUL-30	SD	Description of analog and digital inputs corrected
1.14	2013-MAR-27	SD	AIN_0 renamed: IN_0
1.15	2013-JUL-05	SD	Chapter 3.2.1.1 (power supply) updated

Table 11.1 Document revision

11.2 Hardware Revision

Version	Date	Description
TMCM-1061_V10	2011-APR-20	First prototype version
TMCM-1161_V10	2011-JUL-22	Redesign: <ul style="list-style-type: none"> - Corrected and modified clock concept - Stop switches connected to REF1+3 of TMC429 - New encoder IC with 10bit resolution (max.)

Table 11.2 Hardware revision

12 References

[PD-1161 TMCL]	PD-1161 TMCL Firmware Manual
[TMCL-IDE]	TMCL-IDE User Manual
[QSH5718]	QSH5718 Manual
[QSH6018]	QSH6018 Manual

Please refer to www.trinamic.com.

X-ON Electronics

Largest Supplier of Electrical and Electronic Components

Click to view similar products for [Power Management IC Development Tools](#) category:

Click to view products by [Analog Devices](#) manufacturer:

Other Similar products are found below :

[EVB-EP5348UI](#) [MIC23451-AAAYFL EV](#) [MIC5281YMME EV](#) [124352-HMC860LP3E](#) [DA9063-EVAL](#) [ADP122-3.3-EVALZ](#) [ADP130-0.8-EVALZ](#) [ADP130-1.8-EVALZ](#) [ADP1740-1.5-EVALZ](#) [ADP1870-0.3-EVALZ](#) [ADP1874-0.3-EVALZ](#) [ADP199CB-EVALZ](#) [ADP2102-1.25-EVALZ](#) [ADP2102-1.875EVALZ](#) [ADP2102-1.8-EVALZ](#) [ADP2102-2-EVALZ](#) [ADP2102-3-EVALZ](#) [ADP2102-4-EVALZ](#) [AS3606-DB](#) [BQ25010EVM](#) [BQ3055EVM](#) [ISLUSBI2CKIT1Z](#) [LP38512TS-1.8EV](#) [EVAL-ADM1186-1MBZ](#) [EVAL-ADM1186-2MBZ](#) [ADP122UJZ-REDYKIT](#) [ADP166Z-REDYKIT](#) [ADP170-1.8-EVALZ](#) [ADP171-EVALZ](#) [ADP1853-EVALZ](#) [ADP1873-0.3-EVALZ](#) [ADP198CP-EVALZ](#) [ADP2102-1.0-EVALZ](#) [ADP2102-1-EVALZ](#) [ADP2107-1.8-EVALZ](#) [ADP5020CP-EVALZ](#) [CC-ACC-DBMX-51](#) [ATPL230A-EK](#) [MIC23250-S4YMT EV](#) [MIC26603YJL EV](#) [MIC33050-SYHL EV](#) [TPS60100EVM-131](#) [TPS65010EVM-230](#) [TPS71933-28EVM-213](#) [TPS72728YFFEVM-407](#) [TPS79318YEQEVM](#) [UCC28810EVM-002](#) [XILINXPWR-083](#) [LMR22007YMINI-EVM](#) [LP38501ATJ-EV](#)