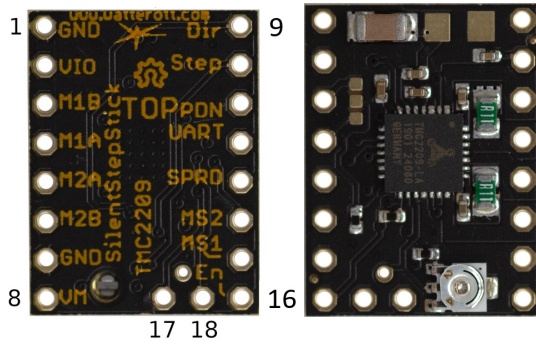


# TMC2209 SilentStepStick

Document Revision V1.10 • 2019-May -20

## Module Top View



## Features and additional Resources

- TMC2209-LA stepper motor controller & driver
- Supply voltage 4.75-28V
- Continuous  $I_{phase} = 1.4A_{RMS}$
- $I_{phase}$  up to  $1.77A_{RMS} = 2.5A_{peak}$  for a short time
- Quiet operation with StealthChop™
- Sensorless homing with StallGuard4™
- Energy savings with CoolStep™
- Configuration and extended diagnostics via UART
- Control via Step&Dir interface
- Board width 0.6", board height 0.8"
- 2x8 pin 0.1" header rows for pins/connectors
- Link to [additional information and IC data sheet](#)

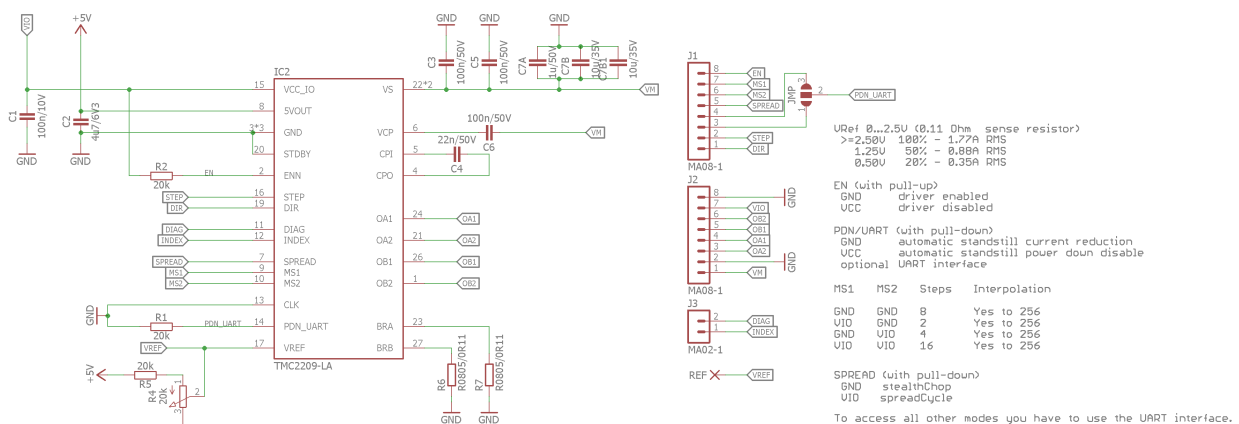
## Pin List

Left	Signal	Right	Signal
1	GND	9	Dir
2	VIO	10	Step
3	M1B (Motor Phase B)	11	PDN
4	M1A (Motor Phase A)	12	UART
5	M2A (Motor Phase A)	13	SPRD
6	M2B (Motor Phase B)	14	MS2
7	GND	15	MS1
8	VM	16	EN
17	INDEX	18	DIAG

## Bill of Materials

Pcs.	MPN	Value	Footprint	Description
1	100nF	100nF, 10V	0402	Capacitor
3	100nF	100nF, 50V	0402	Capacitor
2	10uF	10uF, 35V	1206	Capacitor
1	1uF	1uF, 50V	0805	Capacitor
1	POT-EVM3R	20k	POT_EVM3R	Potentiometer
3	RESISTOR-0402	20k	0402	Resistor
1	CAPACITOR-0402	22n/50V	0402	Capacitor
1	CAPACITOR-0402	4u7/6V3	0402	Capacitor
2	OR11	R0805/OR11	0805	Resistor
1	TMC2209-LA	TMC2209-LA	QFN28-PAD3.7	TRINAMIC TMC2209

## Schematics



## X-ON Electronics

Largest Supplier of Electrical and Electronic Components

*Click to view similar products for [Power Management IC Development Tools](#) category:*

*Click to view products by [Analog Devices](#) manufacturer:*

Other Similar products are found below :

[EVB-EP5348UI](#) [MIC23451-AAAYFL EV](#) [MIC5281YMME EV](#) [124352-HMC860LP3E](#) [DA9063-EVAL](#) [ADP122-3.3-EVALZ](#) [ADP130-0.8-EVALZ](#) [ADP130-1.8-EVALZ](#) [ADP1740-1.5-EVALZ](#) [ADP1870-0.3-EVALZ](#) [ADP1874-0.3-EVALZ](#) [ADP199CB-EVALZ](#) [ADP2102-1.25-EVALZ](#) [ADP2102-1.875EVALZ](#) [ADP2102-1.8-EVALZ](#) [ADP2102-2-EVALZ](#) [ADP2102-3-EVALZ](#) [ADP2102-4-EVALZ](#) [AS3606-DB](#) [BQ25010EVM](#) [BQ3055EVM](#) [ISLUSBI2CKIT1Z](#) [LP38512TS-1.8EV](#) [EVAL-ADM1186-1MBZ](#) [EVAL-ADM1186-2MBZ](#) [ADP122UJZ-REDYKIT](#) [ADP166Z-REDYKIT](#) [ADP170-1.8-EVALZ](#) [ADP171-EVALZ](#) [ADP1853-EVALZ](#) [ADP1873-0.3-EVALZ](#) [ADP198CP-EVALZ](#) [ADP2102-1.0-EVALZ](#) [ADP2102-1-EVALZ](#) [ADP2107-1.8-EVALZ](#) [ADP5020CP-EVALZ](#) [CC-ACC-DBMX-51](#) [ATPL230A-EK](#) [MIC23250-S4YMT EV](#) [MIC26603YJL EV](#) [MIC33050-SYHL EV](#) [TPS60100EVM-131](#) [TPS65010EVM-230](#) [TPS71933-28EVM-213](#) [TPS72728YFFEVM-407](#) [TPS79318YEQEVM](#) [UCC28810EVM-002](#) [XILINXPWR-083](#) [LMR22007YMINI-EVM](#) [LP38501ATJ-EV](#)