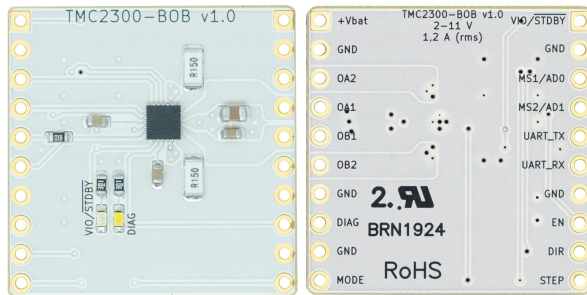


TMC2300 BOB

Document Revision V1.00 • 2019-Sept-03

Module Top View



Pin List

Left	Signal	Right	Signal
1	+VCC_IO	11	+VBAT
2	GND	12	GND
3	MS1_AD0	13	OA2 (Motor Phase A)
4	MS2_AD1	14	OA1 (Motor Phase A)
5	UART_TX	15	OB1 (Motor Phase B)
6	UART_RX	16	OB2 (Motor Phase B)
7	GND	17	GND
8	EN	18	DIAG
9	DIR	19	GND
10	STEP	20	MODE

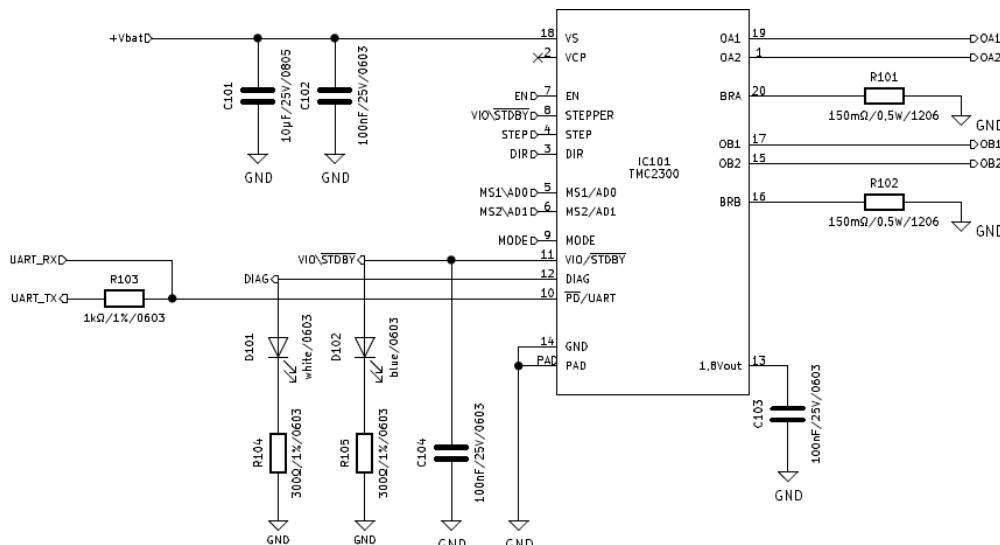
Features and additional Resources

- TMC2300 low voltage stepper motor driver
- Supply voltage 2-11V DC, 2.0A coil current (peak)
- Step/Dir Interface with 2, 4, 8, 16 or 32 microstep pin setting
- **Smooth Running** 256 microsteps MicroPlyer™ interpolation
- StealthChop2™ silent motor operation
- StallGuard4™ in StealthChop mode
- Integrated Pulse Generator for standalone motion
- Choice of QFN, TQFP and HTSSOP packages
- Board width 1.0", board height 1.0"
- 2x10 pin 0.1" header rows for pins/connectors
- Link to [additional information and IC data sheet](#)

Bill of Materials

Pcs.	Value	Footprint	Description
2	R0603/300R/1%	0603	Resistor
1	R0603/1K/1%	0603	Resistor
2	R1206/0R150/0.5W	1206	Resistor
1	10uF/25V/0805	0805	Capacitor
3	100nF/25V/0603	0603	Capacitor
1	blue/0603	0603	LED
1	white/0603	0603	LED
1	TMC2300-LA	QFN20,3x3mm	Trinamic Stepper Motor Driver

Schematics



X-ON Electronics

Largest Supplier of Electrical and Electronic Components

Click to view similar products for [Power Management IC Development Tools](#) category:

Click to view products by [Analog Devices](#) manufacturer:

Other Similar products are found below :

[EVB-EP5348UI](#) [MIC23451-AAAYFL EV](#) [MIC5281YMME EV](#) [124352-HMC860LP3E](#) [DA9063-EVAL](#) [ADP122-3.3-EVALZ](#) [ADP130-0.8-EVALZ](#) [ADP130-1.8-EVALZ](#) [ADP1740-1.5-EVALZ](#) [ADP1870-0.3-EVALZ](#) [ADP1874-0.3-EVALZ](#) [ADP199CB-EVALZ](#) [ADP2102-1.25-EVALZ](#) [ADP2102-1.875EVALZ](#) [ADP2102-1.8-EVALZ](#) [ADP2102-2-EVALZ](#) [ADP2102-3-EVALZ](#) [ADP2102-4-EVALZ](#) [AS3606-DB](#) [BQ25010EVM](#) [BQ3055EVM](#) [ISLUSBI2CKIT1Z](#) [LP38512TS-1.8EV](#) [EVAL-ADM1186-1MBZ](#) [EVAL-ADM1186-2MBZ](#) [ADP122UJZ-REDYKIT](#) [ADP166Z-REDYKIT](#) [ADP170-1.8-EVALZ](#) [ADP171-EVALZ](#) [ADP1853-EVALZ](#) [ADP1873-0.3-EVALZ](#) [ADP198CP-EVALZ](#) [ADP2102-1.0-EVALZ](#) [ADP2102-1-EVALZ](#) [ADP2107-1.8-EVALZ](#) [ADP5020CP-EVALZ](#) [CC-ACC-DBMX-51](#) [ATPL230A-EK](#) [MIC23250-S4YMT EV](#) [MIC26603YJL EV](#) [MIC33050-SYHL EV](#) [TPS60100EVM-131](#) [TPS65010EVM-230](#) [TPS71933-28EVM-213](#) [TPS72728YFFEVM-407](#) [TPS79318YEQEVM](#) [UCC28810EVM-002](#) [XILINXPWR-083](#) [LMR22007YMINI-EVM](#) [LP38501ATJ-EV](#)