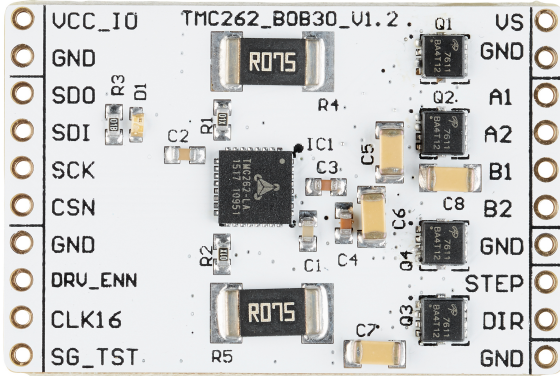


# TMC262-LA 30V BOB Description

Document Revision V1.10 • 2018-Apr-27

## Module Top View



## Features and additional Resources

- TMC262-LA stepper predriver & 30V power stage
- Supply voltage 9-26V (30V limit with the onboard FETs)
- $I_{phase,RMS}$  up to 2.8A
- Config via SPI, control via step/direction
- Use off-board electrolyte cap with your supply
- Board width 1.5", board height 1.0"
- 2x10 pin 0.1" header rows for pins/connectors
- Link to [additional information and IC data sheet](#)
- Link to [evaluation kit](#)

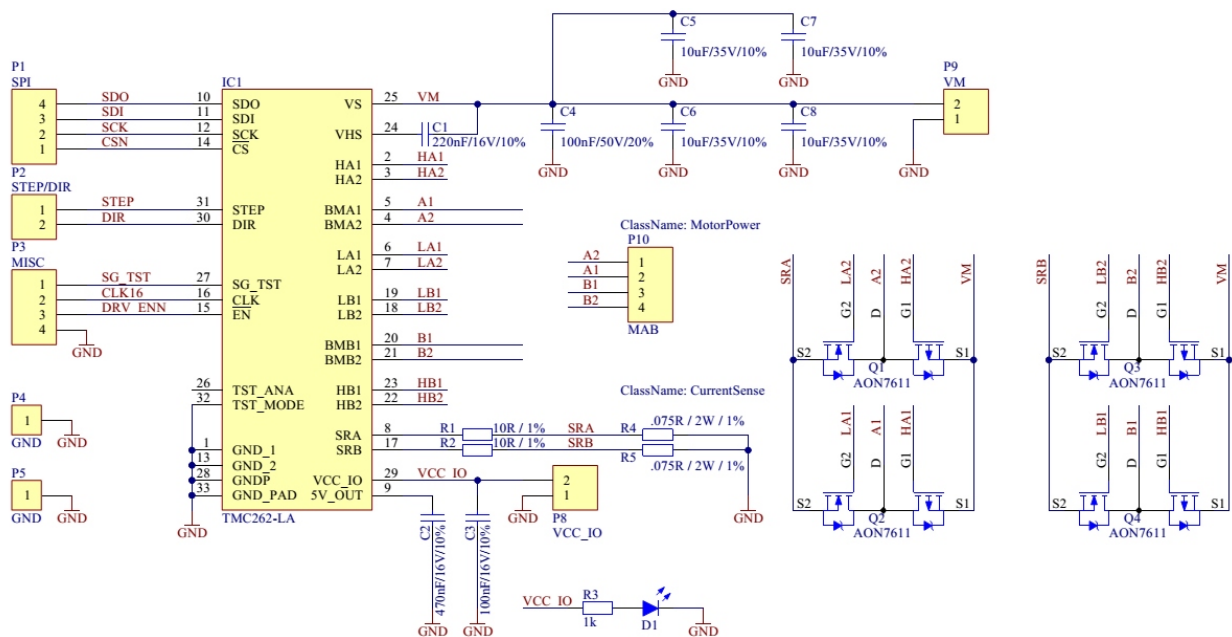
## Pin List

Left	Signal	Right	Signal
1	VCC_IO (3.3V or 5V)	11	VS
2	GND	12	GND
3	SDO (data out)	13	A1
4	SDI (data in)	14	A2
5	SCK (up to 6MHz with external CLK)	15	B1
6	CSN (active low)	16	B2
7	GND	17	GND
8	DRV_ENN (active low)	18	STEP
9	CLK16 (pull to GND for internal CLK)	19	DIR
10	SG_TST (see datasheet)	20	GND

## Bill of Materials

Pcs.	MPN	Value	Footprint	Description
1	MC0603B224K160CT	220nF,16V,10%	0603	Cap, Multicomp
1	MC0603X474K160CT	470nF,16V,10%	0603	Cap, Multicomp
1	MC0603B104K160CT	100nF,16V,10%	0603	Cap, Multicomp
1	GRM188R72A104KA35D	100nF,100V,10%	0603	Cap, Murata
4	CKG45NX752A106M500JH	10uF,100V,20%	CKG45NX752A106M500JH	Cap, TDK
1	LTST-C191TBKT-5A	20mA,2.8V,465nm	0603	LED,Lite-On
1	TMC262-LA	TMC262-LA	QFN32,5x5,0,5	PreDriver, TRINAMIC
2	TLR3A20WR075FTDG	0.075R,2W,1%	2512	Res, TE Connectivity
2	MCWR06X10R0FTL	10R,1%	0603	Res, Multicomp
1	MC0063W060311K	1k,1%	0603	Res, Multicomp
4	AOD603A	AOD603A	SOT114P991X239-6N	FET, Alpha&Omega

## BOB Schematics



©2018 TRINAMIC Motion Control GmbH & Co. KG, Hamburg, Germany  
 Download newest version at: [www.trinamic.com](http://www.trinamic.com)



## X-ON Electronics

Largest Supplier of Electrical and Electronic Components

*Click to view similar products for [Power Management IC Development Tools](#) category:*

*Click to view products by [Analog Devices](#) manufacturer:*

Other Similar products are found below :

[EVB-EP5348UI](#) [MIC23451-AAAYFL EV](#) [MIC5281YMME EV](#) [124352-HMC860LP3E](#) [DA9063-EVAL](#) [ADP122-3.3-EVALZ](#) [ADP130-0.8-EVALZ](#) [ADP130-1.8-EVALZ](#) [ADP1740-1.5-EVALZ](#) [ADP1870-0.3-EVALZ](#) [ADP1874-0.3-EVALZ](#) [ADP199CB-EVALZ](#) [ADP2102-1.25-EVALZ](#) [ADP2102-1.875EVALZ](#) [ADP2102-1.8-EVALZ](#) [ADP2102-2-EVALZ](#) [ADP2102-3-EVALZ](#) [ADP2102-4-EVALZ](#) [AS3606-DB](#) [BQ25010EVM](#) [BQ3055EVM](#) [ISLUSBI2CKIT1Z](#) [LP38512TS-1.8EV](#) [EVAL-ADM1186-1MBZ](#) [EVAL-ADM1186-2MBZ](#) [ADP122UJZ-REDYKIT](#) [ADP166Z-REDYKIT](#) [ADP170-1.8-EVALZ](#) [ADP171-EVALZ](#) [ADP1853-EVALZ](#) [ADP1873-0.3-EVALZ](#) [ADP198CP-EVALZ](#) [ADP2102-1.0-EVALZ](#) [ADP2102-1-EVALZ](#) [ADP2107-1.8-EVALZ](#) [ADP5020CP-EVALZ](#) [CC-ACC-DBMX-51](#) [ATPL230A-EK](#) [MIC23250-S4YMT EV](#) [MIC26603YJL EV](#) [MIC33050-SYHL EV](#) [TPS60100EVM-131](#) [TPS65010EVM-230](#) [TPS71933-28EVM-213](#) [TPS72728YFFEVM-407](#) [TPS79318YEQEVM](#) [UCC28810EVM-002](#) [XILINXPWR-083](#) [LMR22007YMINI-EVM](#) [LP38501ATJ-EV](#)