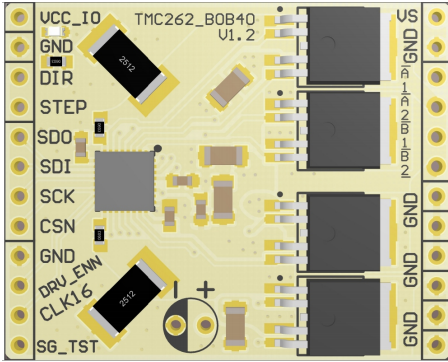


TMC262 40V BOB Description

Document Revision V1.10 • 2018-Apr-27

Module Top View



Features and additional Resources

- TMC262-LA stepper predriver & 40V power stage
- Supply voltage 9-36V (40V limit with the onboard FETs)
- $I_{phase,RMS}$ up to 2.8A
- Config via SPI, control via step/direction
- >24V use with optional lowESR ELCO, ca. 150uF
- Board width 1.5", board height 1.2"
- 2x12 pin 0.1" header rows for pins/connectors
- Link to [additional information and IC data sheet](#)
- Link to [evaluation kit](#)

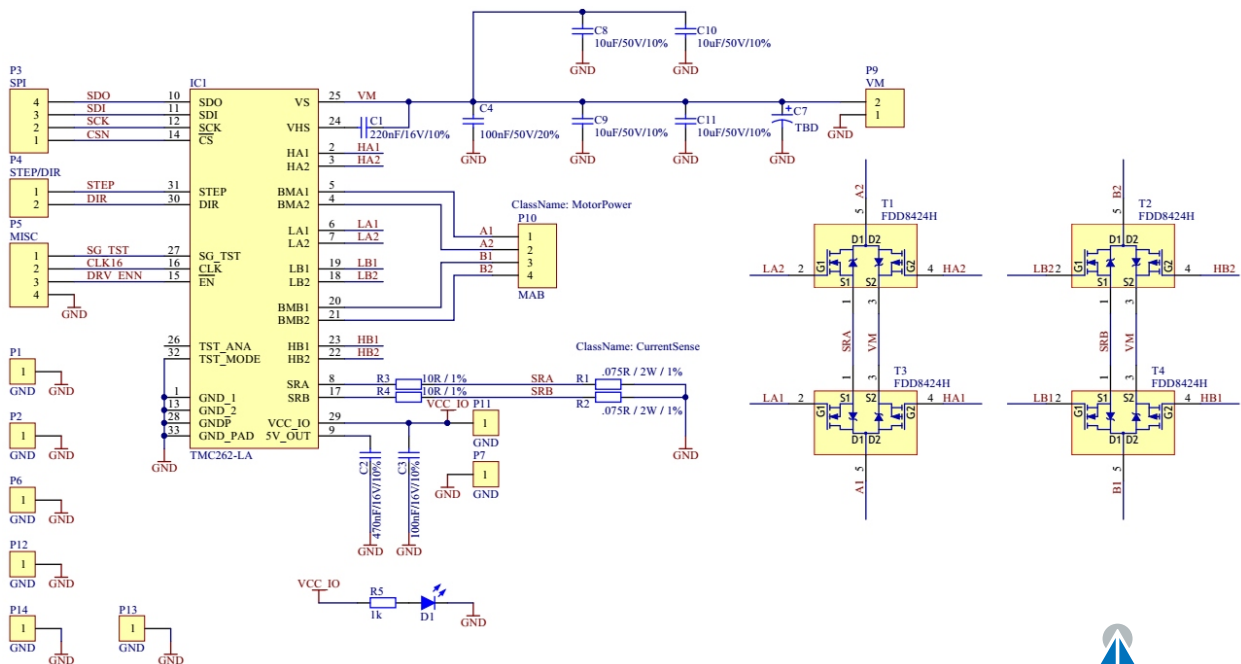
Pin List

| Left | Signal | Right | Signal |
|------|--------------------------------------|-------|------------|
| 1 | VCC_IO (3.3V or 5V) | 13 | VS (9-36V) |
| 2 | GND | 14 | GND |
| 3 | DIR | 15 | A1 |
| 4 | STEP | 16 | A2 |
| 5 | SDO (data out) | 17 | B1 |
| 6 | SDI (data in) | 18 | B2 |
| 7 | SCK (up to 6MHz with external CLK) | 19 | GND |
| 8 | CSN (active low) | 20 | GND |
| 9 | GND | 21 | GND |
| 10 | DRV_ENN (active low) | 22 | GND |
| 11 | CLK16 (pull to GND for internal CLK) | 23 | GND |
| 12 | SG_TST (see datasheet) | 24 | GND |

Bill of Materials

| Pcs. | MPN | Value | Footprint | Description |
|------|--------------------|-----------------|-------------------|----------------------|
| 1 | MC0603B224K160CT | 220nF,16V,10% | 0603 | Cap, Multicomp |
| 1 | MC0603X474K160CT | 470nF,16V,10% | 0603 | Cap, Multicomp |
| 1 | MC0603B104K160CT | 100nF,16V,10% | 0603 | Cap, Multicomp |
| 1 | MC0603F104M500CT | 100nF,50V,20% | 0603 | Cap, Multicomp |
| 4 | GRM31CC8YA106KA12L | 10uF,35V,10% | 1206 | Cap, Murata |
| 1 | LTST-C1911TBKT-5A | 20mA,2.8V,465nm | 0603 | LED, Lite-On |
| 1 | TMC262-LA | TMC262-LA | QFN32,5x5,0,5 | PreDriver, TRINAMIC |
| 2 | TLR3A20WR075FTDG | 0.075R,2W,1% | 2512 | Res, TE Connectivity |
| 2 | MCWR06X10R0FTL | 10R,1% | 0603 | Res, Multicomp |
| 1 | MC0063W060311K | 1k | 0603 | Res, Multicomp |
| 4 | FDD8424H | FDD8424H | SOT114P991X239-6N | FET,Fairchild Semi |

BOB Schematics



©2018 TRINAMIC Motion Control GmbH & Co. KG, Hamburg, Germany
 Download newest version at: www.trinamic.com



X-ON Electronics

Largest Supplier of Electrical and Electronic Components

Click to view similar products for [Power Management IC Development Tools](#) category:

Click to view products by [Analog Devices](#) manufacturer:

Other Similar products are found below :

[EVB-EP5348UI](#) [MIC23451-AAAYFL EV](#) [MIC5281YMME EV](#) [124352-HMC860LP3E](#) [DA9063-EVAL](#) [ADP122-3.3-EVALZ](#) [ADP130-0.8-EVALZ](#) [ADP130-1.8-EVALZ](#) [ADP1740-1.5-EVALZ](#) [ADP1870-0.3-EVALZ](#) [ADP1874-0.3-EVALZ](#) [ADP199CB-EVALZ](#) [ADP2102-1.25-EVALZ](#) [ADP2102-1.875EVALZ](#) [ADP2102-1.8-EVALZ](#) [ADP2102-2-EVALZ](#) [ADP2102-3-EVALZ](#) [ADP2102-4-EVALZ](#) [AS3606-DB](#) [BQ25010EVM](#) [BQ3055EVM](#) [ISLUSBI2CKIT1Z](#) [LP38512TS-1.8EV](#) [EVAL-ADM1186-1MBZ](#) [EVAL-ADM1186-2MBZ](#) [ADP122UJZ-REDYKIT](#) [ADP166Z-REDYKIT](#) [ADP170-1.8-EVALZ](#) [ADP171-EVALZ](#) [ADP1853-EVALZ](#) [ADP1873-0.3-EVALZ](#) [ADP198CP-EVALZ](#) [ADP2102-1.0-EVALZ](#) [ADP2102-1-EVALZ](#) [ADP2107-1.8-EVALZ](#) [ADP5020CP-EVALZ](#) [CC-ACC-DBMX-51](#) [ATPL230A-EK](#) [MIC23250-S4YMT EV](#) [MIC26603YJL EV](#) [MIC33050-SYHL EV](#) [TPS60100EVM-131](#) [TPS65010EVM-230](#) [TPS71933-28EVM-213](#) [TPS72728YFFEVM-407](#) [TPS79318YEQEVM](#) [UCC28810EVM-002](#) [XILINXPWR-083](#) [LMR22007YMINI-EVM](#) [LP38501ATJ-EV](#)