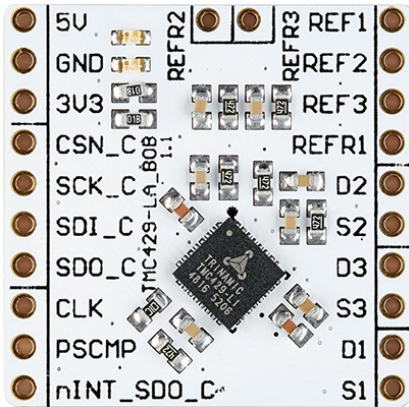


TMC429-LI BOB Description

Document Revision V1.00 • 2017-Oct-19

Module Top View



Features and additional Resources

- TMC429-LI triple-axis dedicated motion controller
- Supply voltage 3.3V or 5V
- Configuration and control via SPI
- 3x dedicated Step and Direction output
- Up to 32MHz input frequency
- Up to 1MHz step output frequency
- Board width 1.0", board height 1.0"
- 2x10 pin 0.1" header rows for pins/connectors
- Link to [additional information and IC Datasheet](#)
- Link to [Evaluation Kit](#)

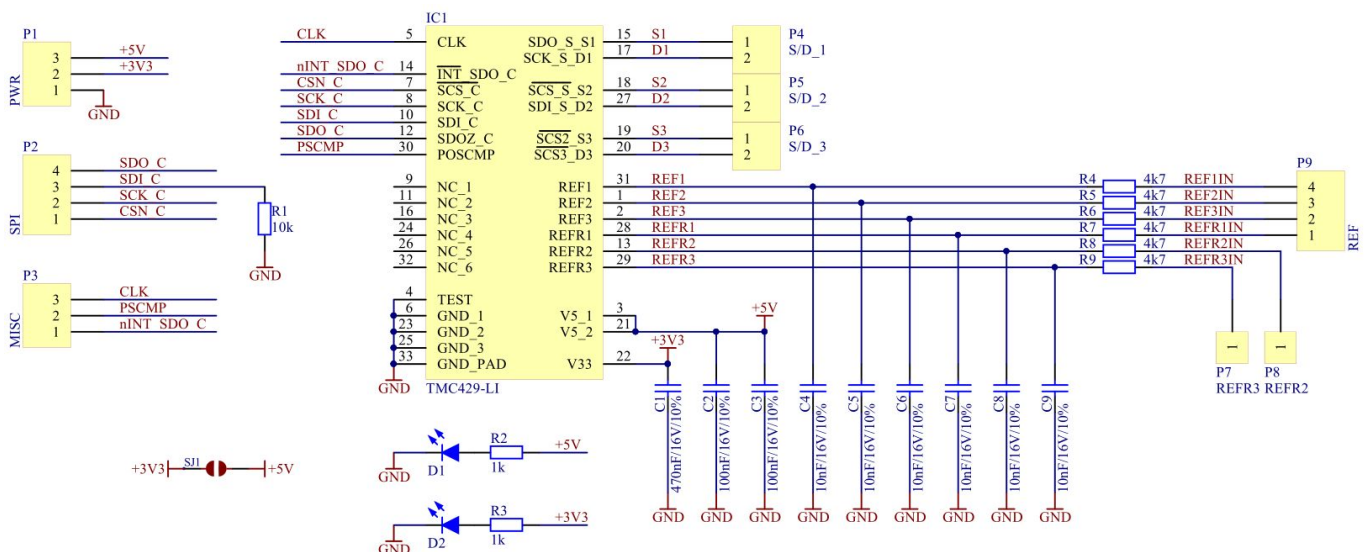
Pin List

Left	Signal	Right	Signal
1	5V	11	REF1 (Left reference)
2	GND	12	REF2
3	3V3	13	REF3
4	CSN_C	14	REFR1 (right reference)
5	SCK_C	15	D2 (Direction 2)
6	SDI_C	16	S2 (Step 2)
7	SDO_C	17	D3 (Direction 2)
8	CLK (up to 32MHz)	18	S3 (Step 3)
9	PSCMP	19	D1 (Direction 2)
10	nINT_SDO_C	20	S1 (Step 1)

Bill of Materials

Pcs.	MPN	Value	Footprint	Description
1	MC0603X474K160CT	470nF,16V,10%	0603	Cap, Multicomp
2	MC0603B104K160CT	100nF,16V,10%	0603	Cap, Multicomp
6	MC0603B103K160CT	10nF/16V/10%	0603	Cap, Multicomp
2	LTST-C191TBKT-5A	20mA,2.8V,465nm	0603	LED, Lite-On
1	TMC429-LI	TMC429-LI	QFN32,5x5,0,5	PreDriver, TRINAMIC
1	MC0063W0603110K	10k	0603	Res, Multicomp
2	MC0063W060311K	1k	0603	Res, Multicomp
6	MC0063W060314K7	4k7	0603	Res, Multicomp

BOB Schematics



X-ON Electronics

Largest Supplier of Electrical and Electronic Components

Click to view similar products for [Power Management IC Development Tools](#) category:

Click to view products by [Analog Devices](#) manufacturer:

Other Similar products are found below :

[EVAL-ADM1168LQEBZ](#) [EVB-EP5348UI](#) [MIC23451-AAAYFL EV](#) [MIC5281YMME EV](#) [DA9063-EVAL](#) [ADP122-3.3-EVALZ](#) [ADP130-0.8-EVALZ](#) [ADP130-1.2-EVALZ](#) [ADP130-1.5-EVALZ](#) [ADP130-1.8-EVALZ](#) [ADP1712-3.3-EVALZ](#) [ADP1714-3.3-EVALZ](#) [ADP1715-3.3-EVALZ](#) [ADP1716-2.5-EVALZ](#) [ADP1740-1.5-EVALZ](#) [ADP1752-1.5-EVALZ](#) [ADP1828LC-EVALZ](#) [ADP1870-0.3-EVALZ](#) [ADP1871-0.6-EVALZ](#) [ADP1873-0.6-EVALZ](#) [ADP1874-0.3-EVALZ](#) [ADP1882-1.0-EVALZ](#) [ADP199CB-EVALZ](#) [ADP2102-1.25-EVALZ](#) [ADP2102-1.875EVALZ](#) [ADP2102-1.8-EVALZ](#) [ADP2102-2-EVALZ](#) [ADP2102-3-EVALZ](#) [ADP2102-4-EVALZ](#) [ADP2106-1.8-EVALZ](#) [ADP2147CB-110EVALZ](#) [AS3606-DB](#) [BQ24010EVM](#) [BQ24075TEVM](#) [BQ24155EVM](#) [BQ24157EVM-697](#) [BQ24160EVM-742](#) [BQ24296MEVM-655](#) [BQ25010EVM](#) [BQ3055EVM](#) [NCV891330PD50GEVB](#) [ISLUSBI2CKIT1Z](#) [LM2744EVAL](#) [LM2854EVAL](#) [LM3658SD-AEV/NOPB](#) [LM3658SDEV/NOPB](#) [LM3691TL-1.8EV/NOPB](#) [LM4510SDEV/NOPB](#) [LM5033SD-EVAL](#) [LP38512TS-1.8EV](#)