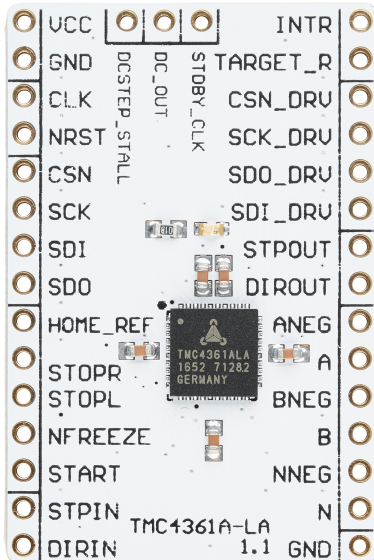


TMC4361A-LA BOB Description

Document Revision V1.00 • 2017-Oct-19

Module Top View



Features and additional Resources

- TMC4361A-LA stepper motor servo controller with S-shaped ramps
- Supply voltage 3.3V or 5V
- Configuration and control via SPI and Step/Direction
- SPI or Step and Direction output
- Reference switch and synchronization signal inputs
- Encoder interface for closed loop control
- Board width 1.0", board height 1.5"
- 2x15 pin 0.1" header rows for pins/connectors
- Link to [additional information and IC Datasheet](#)
- Link to [Evaluation Kit](#)

Pin List

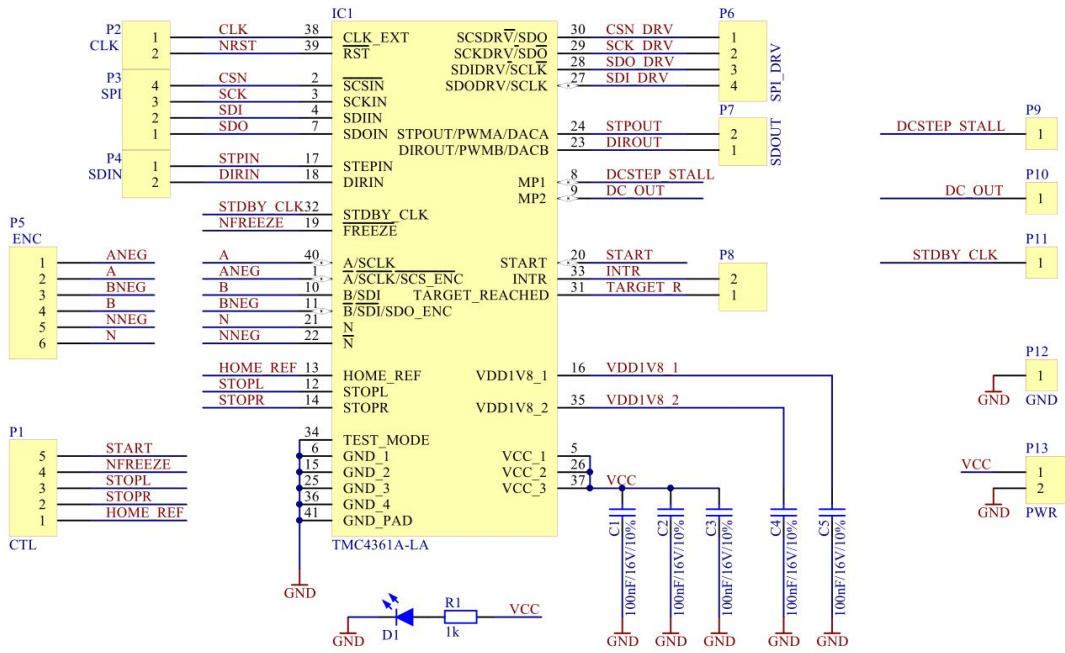
Left	Signal	Right	Signal
1	VCC	16	INTR
2	GND	17	TARGET_R
3	CLK	18	CSN_DRV
4	NRST	19	SCK_DRV
5	CSN	20	SDO_DRV
6	SCK	21	SDI_DRV
7	SDI	22	STPOUT
8	SDO	23	DIROUT
9	HOME_REF	24	ANEG
10	STOPR	25	A
11	STOPL	26	BNEG
12	NFREEZE	27	B
13	START	28	NNEG
14	STPIN	29	N
15	DIRIN	30	GND

Bill of Materials

Pcs.	MPN	Value	Footprint	Description
5	MC0603B104K160CT	100nF/16V/10%	0603	Cap, Multicomp
1	LTST-C191TBKT-5A	20mA,2.8V,465nm	0603	LED, Lite-On
1	TMC4361A-LA	TMC4361A-LA	QFN40,6x6,0.5	Controller, TRINAMIC
1	MC0063W060311K	1k	0603	Res, Multicomp



BOB Schematics



X-ON Electronics

Largest Supplier of Electrical and Electronic Components

Click to view similar products for [Power Management IC Development Tools](#) category:

Click to view products by [Analog Devices](#) manufacturer:

Other Similar products are found below :

[EVB-EP5348UI](#) [MIC23451-AAAYFL EV](#) [MIC5281YMME EV](#) [124352-HMC860LP3E](#) [DA9063-EVAL](#) [ADP122-3.3-EVALZ](#) [ADP130-0.8-EVALZ](#) [ADP130-1.8-EVALZ](#) [ADP1740-1.5-EVALZ](#) [ADP1870-0.3-EVALZ](#) [ADP1874-0.3-EVALZ](#) [ADP199CB-EVALZ](#) [ADP2102-1.25-EVALZ](#) [ADP2102-1.875EVALZ](#) [ADP2102-1.8-EVALZ](#) [ADP2102-2-EVALZ](#) [ADP2102-3-EVALZ](#) [ADP2102-4-EVALZ](#) [AS3606-DB](#) [BQ25010EVM](#) [BQ3055EVM](#) [ISLUSBI2CKIT1Z](#) [LP38512TS-1.8EV](#) [EVAL-ADM1186-1MBZ](#) [EVAL-ADM1186-2MBZ](#) [ADP122UJZ-REDYKIT](#) [ADP166Z-REDYKIT](#) [ADP170-1.8-EVALZ](#) [ADP171-EVALZ](#) [ADP1853-EVALZ](#) [ADP1873-0.3-EVALZ](#) [ADP198CP-EVALZ](#) [ADP2102-1.0-EVALZ](#) [ADP2102-1-EVALZ](#) [ADP2107-1.8-EVALZ](#) [ADP5020CP-EVALZ](#) [CC-ACC-DBMX-51](#) [ATPL230A-EK](#) [MIC23250-S4YMT EV](#) [MIC26603YJL EV](#) [MIC33050-SYHL EV](#) [TPS60100EVM-131](#) [TPS65010EVM-230](#) [TPS71933-28EVM-213](#) [TPS72728YFFEVM-407](#) [TPS79318YEQEVM](#) [UCC28810EVM-002](#) [XILINXPWR-083](#) [LMR22007YMINI-EVM](#) [LP38501ATJ-EV](#)