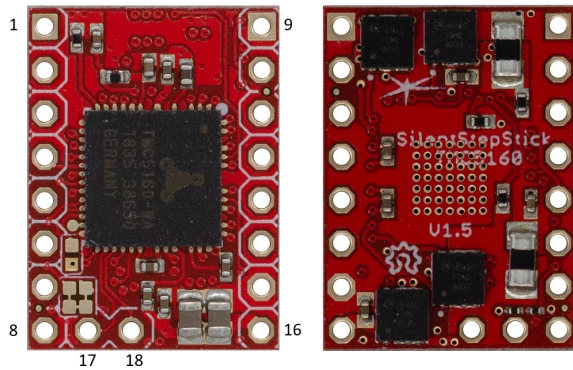


TMC5160 SilentStepStick

Document Revision V1.20 • Hardware Revision V1.5 • 2020-Aug-10

Top and Bottom View



Features and additional Resources

- TMC5160-WA stepper motor controller & driver
- Supply voltage 10-35V (40V MOSFETs default)
- $I_{phase,RMS}$ up to 3.0A (rms) = 4.2A (peak)
- Configuration & Control via SPI
- Step & direction control mode
- Board width 0.6", board height 0.8"
- 2x8 pin 0.1" header rows for pins/connectors
- Link to [additional information and IC data sheet](#)

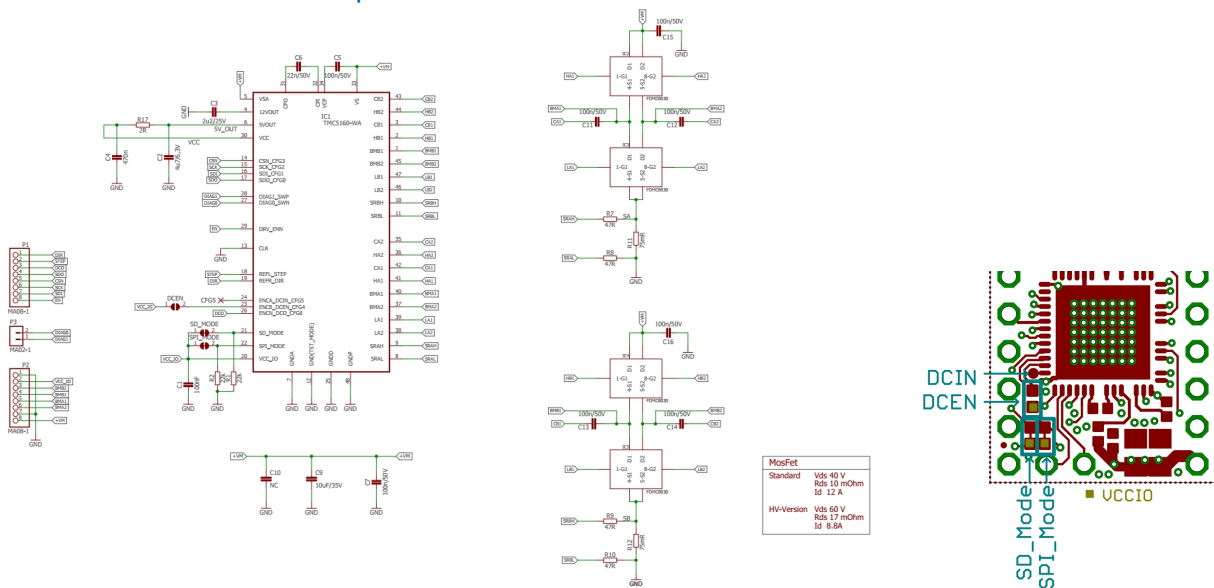
Pin List

Left	Signal	Right	Signal
1	DIR	9	GND
2	STEP	10	VCC_IO (3.3V or 5V)
3	DCO	11	B2 (Motor Phase B)
4	SDO (data out) / CFG4	12	B1 (Motor Phase B)
5	CSN (active low) / CFG3	13	A1 (Motor Phase A)
6	SCK (up to 3-4MHz) / CFG2	14	A2 (Motor Phase A)
7	SDI (data in) / CFG1	15	GND
8	DRV_ENN (active low)	16	+VM (10-35V)
17	DIAG0	18	DIAG1

Bill of Materials

Pcs.	MPN	Value	Footprint	Description
4	FDMC8030	Double MOSFET, N-CH, 40V, 12A	8-MLP (3x3)	MOSFET, OnSemi
1	TMC5160-WA	Controller/driver for stepper motor	QFN56 (8x8)	TRINAMIC
4	47R	47R,10%	0402	Resistor
2	10uF	10uF, 36V, 10%	0805	Capacitor
1	22nF	22nF	0402	Capacitor
3	470nF	470nF, 36V	0402	Capacitor
2	ERJ-8BWF075V	0R075, 1%, 1W or more	1206	Resistor
2	2u2	2u2	0402	Capacitor
1	2R2	2R2,10%	0402	Resistor
7	100nF	100nF, 50V	0402	Capacitor

Schematic and Solder Options



©2020 TRINAMIC Motion Control GmbH & Co. KG, Hamburg, Germany
 Terms of delivery and rights to technical change reserved.
 Download newest version at www.trinamic.com



X-ON Electronics

Largest Supplier of Electrical and Electronic Components

Click to view similar products for [Power Management IC Development Tools](#) *category:*

Click to view products by [Analog Devices](#) *manufacturer:*

Other Similar products are found below :

[EVAL-ADM1168LQEBZ](#) [EVB-EP5348UI](#) [MIC23451-AAAYFL EV](#) [MIC5281YMME EV](#) [DA9063-EVAL](#) [ADP122-3.3-EVALZ](#) [ADP130-0.8-EVALZ](#) [ADP130-1.2-EVALZ](#) [ADP130-1.5-EVALZ](#) [ADP130-1.8-EVALZ](#) [ADP1712-3.3-EVALZ](#) [ADP1714-3.3-EVALZ](#) [ADP1715-3.3-EVALZ](#) [ADP1716-2.5-EVALZ](#) [ADP1740-1.5-EVALZ](#) [ADP1752-1.5-EVALZ](#) [ADP1828LC-EVALZ](#) [ADP1870-0.3-EVALZ](#) [ADP1871-0.6-EVALZ](#) [ADP1873-0.6-EVALZ](#) [ADP1874-0.3-EVALZ](#) [ADP1882-1.0-EVALZ](#) [ADP199CB-EVALZ](#) [ADP2102-1.25-EVALZ](#) [ADP2102-1.875EVALZ](#) [ADP2102-1.8-EVALZ](#) [ADP2102-2-EVALZ](#) [ADP2102-3-EVALZ](#) [ADP2102-4-EVALZ](#) [ADP2106-1.8-EVALZ](#) [ADP2147CB-110EVALZ](#) [AS3606-DB](#) [BQ24010EVM](#) [BQ24075TEVM](#) [BQ24155EVM](#) [BQ24157EVM-697](#) [BQ24160EVM-742](#) [BQ24296MEVM-655](#) [BQ25010EVM](#) [BQ3055EVM](#) [NCV891330PD50GEVB](#) [ISLUSBI2CKIT1Z](#) [LM2744EVAL](#) [LM2854EVAL](#) [LM3658SD-AEV/NOPB](#) [LM3658SDEV/NOPB](#) [LM3691TL-1.8EV/NOPB](#) [LM4510SDEV/NOPB](#) [LM5033SD-EVAL](#) [LP38512TS-1.8EV](#)