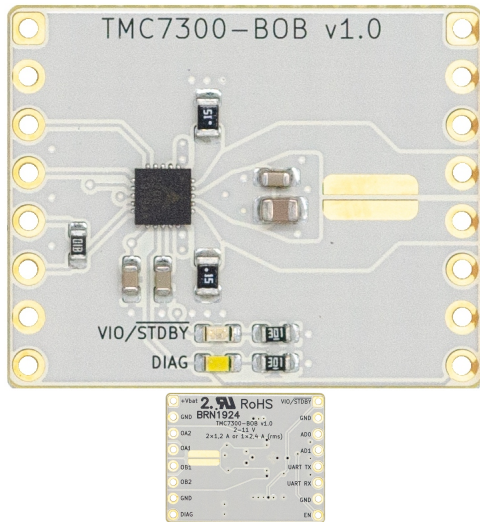


# TMC7300-BOB

Document Revision V1.00 • 2019-Dec-05

## Module Top View



## Features and additional Resources

- TMC7300-LA low voltage DC motor driver
- Supply voltage 2-11V DC
- 2x DC motors at 1.2A (rms)
- or 1x DC motor at 2.4A (rms)
- UART interface for configuration and control with address setting
- Enable input and diagnosis output
- Low power standby mode
- Small size QFN package
- Board width 1.0", board height 0.8"
- 2x8 pin 0.1" header rows for pins/connectors
- Link to [Additional information and IC data sheet](#)

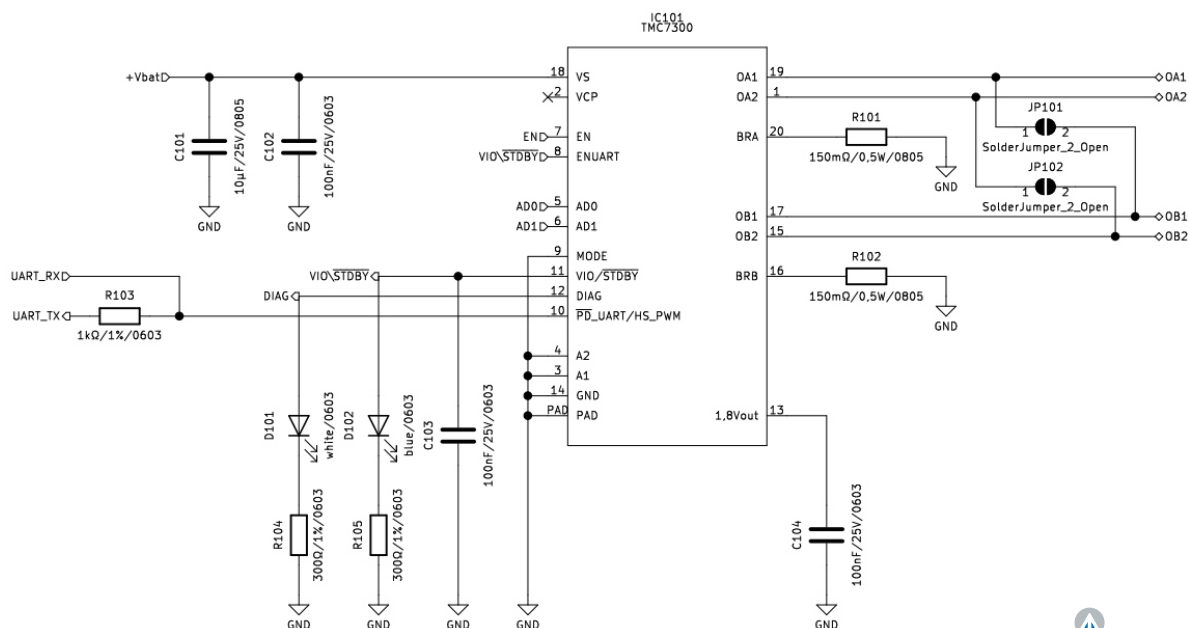
## Pin List

Left	Signal	Right	Signal
1	+VCC_IO/nSTDBY	9	+VBAT
2	GND	10	GND
3	AD0	11	OA2 (Motor Phase A)
4	AD1	12	OA1 (Motor Phase A)
5	UART_TX	13	OB1 (Motor Phase B)
6	UART_RX	14	OB2 (Motor Phase B)
7	GND	15	GND
8	EN	16	DIAG

## Bill of Materials

Pcs.	Value	Footprint	Description
1	TMC7300-LA	QFN20,3x3mm	<a href="#">Trinamic Stepper Motor Driver</a>
1	R0603/1K/1%	0603	Resistor
3	100nF/25V/0603	0603	Capacitor
1	10uF/25V/0805	0805	Capacitor
1	blue/0603	0603	LED
1	white/0603	0603	LED
2	R0603/300R/1%	0603	Resistor
2	R1206/0R150/0.5W	1206	Resistor

## Schematics



©2019 TRINAMIC Motion Control GmbH & Co. KG, Hamburg, Germany  
 Terms of delivery and rights to technical change reserved.  
 Download newest version at [www.trinamic.com](http://www.trinamic.com)



## X-ON Electronics

Largest Supplier of Electrical and Electronic Components

*Click to view similar products for [Power Management IC Development Tools](#) category:*

*Click to view products by [Analog Devices](#) manufacturer:*

Other Similar products are found below :

[EVB-EP5348UI](#) [MIC23451-AAAYFL EV](#) [MIC5281YMME EV](#) [124352-HMC860LP3E](#) [DA9063-EVAL](#) [ADP122-3.3-EVALZ](#) [ADP130-0.8-EVALZ](#) [ADP130-1.8-EVALZ](#) [ADP1740-1.5-EVALZ](#) [ADP1870-0.3-EVALZ](#) [ADP1874-0.3-EVALZ](#) [ADP199CB-EVALZ](#) [ADP2102-1.25-EVALZ](#) [ADP2102-1.875EVALZ](#) [ADP2102-1.8-EVALZ](#) [ADP2102-2-EVALZ](#) [ADP2102-3-EVALZ](#) [ADP2102-4-EVALZ](#) [AS3606-DB](#) [BQ25010EVM](#) [BQ3055EVM](#) [ISLUSBI2CKIT1Z](#) [LP38512TS-1.8EV](#) [EVAL-ADM1186-1MBZ](#) [EVAL-ADM1186-2MBZ](#) [ADP122UJZ-REDYKIT](#) [ADP166Z-REDYKIT](#) [ADP170-1.8-EVALZ](#) [ADP171-EVALZ](#) [ADP1853-EVALZ](#) [ADP1873-0.3-EVALZ](#) [ADP198CP-EVALZ](#) [ADP2102-1.0-EVALZ](#) [ADP2102-1-EVALZ](#) [ADP2107-1.8-EVALZ](#) [ADP5020CP-EVALZ](#) [CC-ACC-DBMX-51](#) [ATPL230A-EK](#) [MIC23250-S4YMT EV](#) [MIC26603YJL EV](#) [MIC33050-SYHL EV](#) [TPS60100EVM-131](#) [TPS65010EVM-230](#) [TPS71933-28EVM-213](#) [TPS72728YFFEVM-407](#) [TPS79318YEQEVM](#) [UCC28810EVM-002](#) [XILINXPWR-083](#) [LMR22007YMINI-EVM](#) [LP38501ATJ-EV](#)