

## TMCM-1076 Hardware Manual

Hardware Version V1.10 | Document Revision V1.01 • 2019-AUG-01

The TMCM-1076 is an easy to use stepper motor driver module. The module is controlled via a step and direction interface. One configuration pin selects the current control mode between StealthChop™ for absolute silent motor control and SpreadCycle™ for high speed. A TTL UART interface allows for more advanced configuration and permanent parameter storage via TMCL™-IDE.



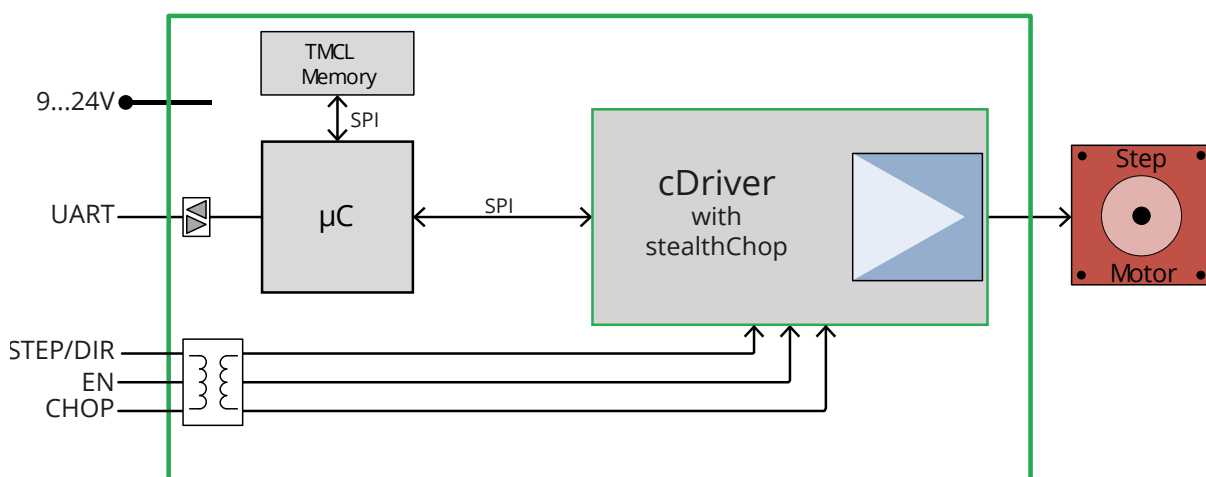
### Features

- Supply Voltage +10...+30V DC
- Up to 3A RMS motor current
- Step and direction interface
- MicroPlyer™ to 256 microsteps
- StealthChop™ silent PWM mode
- SpreadCycle™ smart mixed decay
- StallGuard2™ load detection
- CoolStep™ autom. current scaling
- UART configuration interface

### Applications

- Lab-Automation
- Manufacturing
- Robotics
- Factory Automation
- CNC

### Simplified Block Diagram



## Contents

<b>1</b>	<b>Features</b>	<b>3</b>
1.1	General Features	3
1.2	TRINAMIC's Unique Features	4
1.2.1	stealthChop™	4
1.2.2	spreadCycle™	4
1.3	stallGuard2	5
1.4	coolStep	5
<b>2</b>	<b>Order Codes</b>	<b>6</b>
<b>3</b>	<b>Mechanical and Electrical Interfacing</b>	<b>7</b>
3.1	TMC-1076 Dimensions and Weight	7
3.2	Mounting Considerations	7
<b>4</b>	<b>Connectors and LEDs</b>	<b>8</b>
4.1	Motor Connector	8
4.2	Power + I/O Connector	9
4.3	TTL UART Connection	10
4.4	Status LEDs	10
<b>5</b>	<b>Functional Description</b>	<b>11</b>
5.1	Typical Application Wiring	11
5.2	Optically Isolated Inputs with Common Anode Input	12
5.3	Optically Isolated Inputs with Common Cathode Input	13
5.4	Thermal Behavior	14
<b>6</b>	<b>Operational Ratings and Characteristics</b>	<b>15</b>
6.1	Absolute Maximum Ratings	15
6.2	Electrical Characteristics (Ambient Temperature 25° C)	15
6.3	I/O Ratings (Ambient Temperature 25° C)	15
6.4	Functional Characteristics	16
6.5	Other Requirements	16
<b>7</b>	<b>Abbreviations used in this Manual</b>	<b>17</b>
<b>8</b>	<b>Figures Index</b>	<b>18</b>
<b>9</b>	<b>Tables Index</b>	<b>19</b>
<b>10</b>	<b>Supplemental Directives</b>	<b>20</b>
10.1	Producer Information	20
10.2	Copyright	20
10.3	Trademark Designations and Symbols	20
10.4	Target User	20
10.5	Disclaimer: Life Support Systems	20
10.6	Disclaimer: Intended Use	20
10.7	Collateral Documents & Tools	21
<b>11</b>	<b>Revision History</b>	<b>22</b>
11.1	Hardware Revision	22
11.2	Document Revision	22



# 1 Features

The TMC-1076 is an easy to use stepper driver unit with state of the art feature set. It is highly integrated and offers a convenient handling. TMC-1076 can be used with a simple step and direction interface and can be configured using a TTL UART interface. stallGuard2 and coolStep can be configured via TTL UART interface and are disabled by default.

## 1.1 General Features

### Main Characteristics

- Supply Voltage +10V to +30V DC
- 3A RMS phase current (ca. 4.2A peak phase current)
- Highest micro step resolution, up to 256 micro steps per full step
- MicroPlyer™ microstep interpolator for obtaining increased smoothness of microstepping over a low frequency STEP/DIR interface
- With housing and motor mounted
- Permanent onboard parameter storage
- Simple step & direction mode
- Noiseless StealthChop™ chopper mode for slow to medium velocities
- High performance SpreadCycle™ chopper mode
- High-precision sensorless load measurement with StallGuard2™
- Automatic current scaling algorithm CoolStep™ to save energy and keep your drive cool

### Optically Isolated Inputs

- Step & direction interface with up to 45kHz input frequency
- Enable input to power-on/-off driver H-bridges
- Mode select input to switch between the two chopper modes

### TTL UART Interface

- TTL-level UART interface for parameter configuration
- Interface speed 9600-115200 bps (default 9600 bps)
- TMCL-based protocol for online configuration and permanent parameter settings
- Bootloader for firmware updates



## 1.2 TRINAMIC's Unique Features

### 1.2.1 stealthChop™

stealthChop is an extremely quiet mode of operation for low and medium velocities. It is based on a voltage mode PWM. During standstill and at low velocities, the motor is absolutely noiseless. Thus, stealthChop operated stepper motor applications are very suitable for indoor or home use. The motor operates absolutely free of vibration at low velocities. With stealthChop, the motor current is applied by driving a certain effective voltage into the coil, using a voltage mode PWM. There are no more configurations required except for the regulation of the PWM voltage to yield the motor target current.

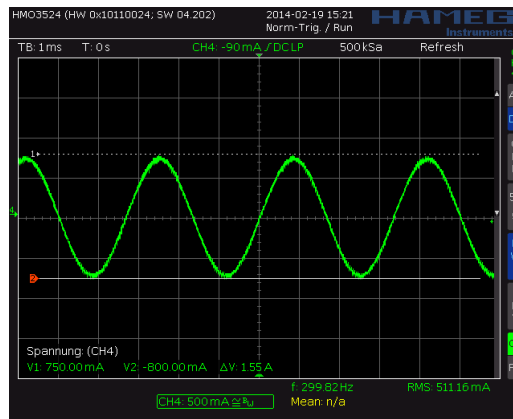


Figure 1: Motor coil sine wave current using stealthChop (measured with current probe)

### 1.2.2 spreadCycle™

The spreadCycle chopper is a high-precision, hysteresis-based, and simple to use chopper mode, which automatically determines the optimum length for the fast-decay phase. Several parameters are available to optimize the chopper to the application. spreadCycle offers optimal zero crossing performance compared to other current controlled chopper algorithms and thereby allows for highest smoothness. The true target current is powered into the motor coils.

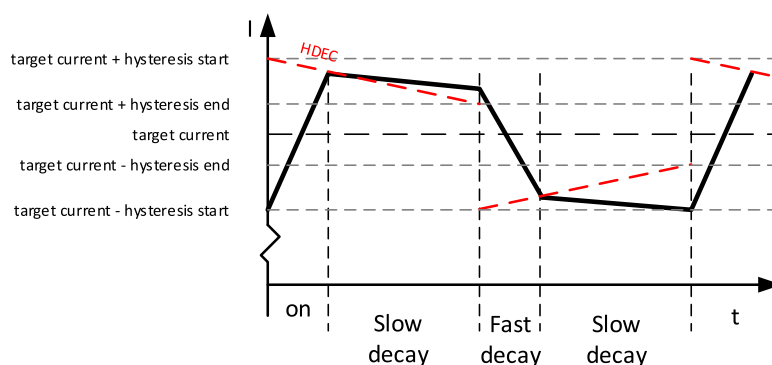


Figure 2: spreadCycle principle



### 1.3 stallGuard2

stallGuard2 is a high-precision sensorless load measurement using the back EMF of the motor coils. It can be used for stall detection as well as other uses at loads below those which stall the motor. The stallGuard2 measurement value changes linearly over a wide range of load, velocity, and current settings. At maximum motor load, the value reaches zero or is near zero. This is the most energy-efficient point of operation for the motor.

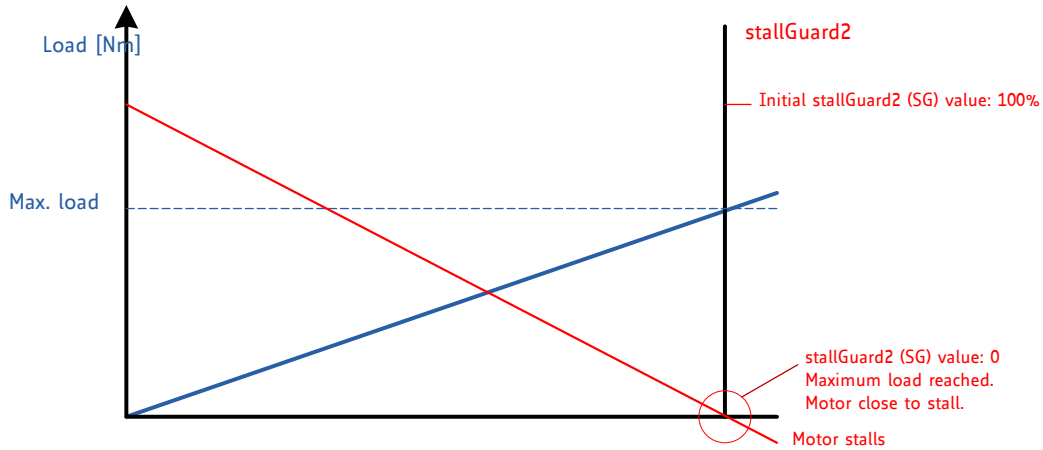


Figure 3: stallGuard2 Load Measurement as a Function of Load

### 1.4 coolStep

coolStep is a load-adaptive automatic current scaling based on the load measurement via stallGuard2. coolStep adapts the required current to the load. Energy consumption can be reduced by as much as 75%. coolStep allows substantial energy savings, especially for motors which see varying loads or operate at a high duty cycle. Because a stepper motor application needs to work with a torque reserve of 30% to 50%, even a constant-load application allows significant energy savings because coolStep automatically enables torque reserve when required. Reducing power consumption keeps the system cooler, increases motor life, and allows for cost reduction.

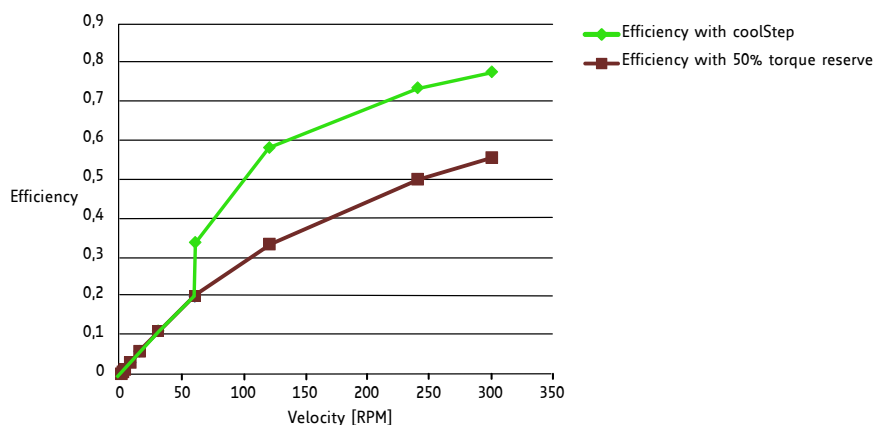


Figure 4: Energy Efficiency Example with coolStep



## 2 Order Codes

Order Code	Description	Size (LxWxH)
TMCM-1076	Controller/Driver Module without motor, +24V DC, 3A RMS, TTL UART interface (9600bps default), S/D interface, Enable, Mode Select	60mm x 60mm x 13mm

*Table 1: Order codes modules*

Order Code	Description
TMCM-1076-CABLE	Cable loom for TMCM-1076. Contains: <ul style="list-style-type: none"><li>• 1x cable loom for motor connector with 4-pin JST EH female connector</li><li>• 1x cable loom for Power + I/O connector with 9-in JST EH female connector</li></ul>

*Table 2: Order codes cable loom*



### 3 Mechanical and Electrical Interfacing

#### 3.1 TCCM-1076 Dimensions and Weight

The dimensions of the TCCM-1076 are approximately 60mm x 60mm x 13mm. There are four mounting holes for M3 screws for mounting the TCCM-1076. These mounting holes are located in the bottom / base plate and accessible after removing the top cover (see 5, right figure, mounting holes marked red). Two of them at opposite positions can be used for mounting the module to the backside of our NEMA23 stepper motors (screw/thread length depends on motor size). The other two can be used for mounting the module to the backside of our NEMA24 stepper motors (screw/thread length depends on motor size).

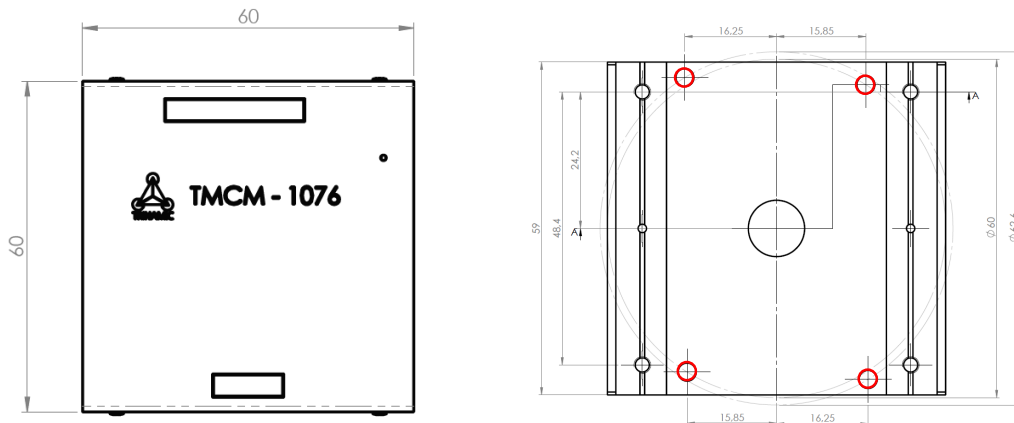


Figure 5: TCCM-1076 top view mechanical dimensions (left) and position of mounting holes (marked red / right). All dimensions in mm

Order Code	Dimension in mm	Weight in g
TCCM-1076	60mm x 60mm x 13mm	≈ 68

Table 3: TCCM-1076 dimensions and weight

#### 3.2 Mounting Considerations

TCCM-1076 is designed to be mountable on the back of our NEMA23 and NEMA24 motors. Alternatively, it can be mounted standalone.



## 4 Connectors and LEDs

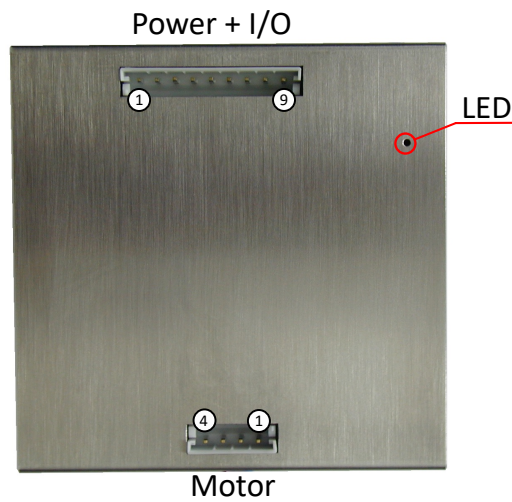


Figure 6: TMCM-1076 connectors

### 4.1 Motor Connector

Pin no.	Pin name	Description
1	B1	Motor phase B pin 1
2	B2	Motor phase B pin 2
3	A1	Motor phase A pin 1
4	A2	Motor phase A pin 2

Table 4: Motor connector pinning

#### NOTICE

**Do not connect or disconnect motor during operation!** Motor cable and motor inductivity might lead to voltage spikes when the motor is (dis)connected while energized. These voltage spikes might exceed voltage limits of the driver MOSFETs and might permanently damage them. Therefore, always switch off or disconnect power supply before (dis)connecting the motor.





## 4.2 Power + I/O Connector

Pin no.	Pin name	Description
1	GND	Supply ground connection, also used for USB serial converter ground connection
2	V+	Supply voltage ( $V_{DD}$ ) +10V to +30V DC
3	DIR	Optically isolated direction input of S/D interface
4	STEP	Optically isolated step input of S/D interface
5	EN	Optically isolated enable input of motor driver H-bridges
6	CHOP	Optically isolated chopper mode selection input
7	COMM	Opto-coupler common anode or cathode, connect to ground or VCCIO (3.3V to 6V - higher voltages possible with additional external resistors)
8	RXD	TTL-level UART receive line, use with USB serial converter TXD line to connect to PC
9	TXD	TTL-level UART transmit line, use with USB serial converter RXD line to connect to PC

Table 5: Power + I/O connector pinning

### NOTICE

#### Supply Voltage Buffering / Add External Power Supply Capacitors

A sufficiently buffered power supply or an external electrolyte capacitor connected between V+ and GND is recommended for stable operation. It is recommended to connect an electrolytic capacitor of significant size to the power supply lines next to the TMCM-1076.

Rule of thumb for size of electrolytic capacitor:  $C = 1000 \frac{\mu F}{A} * I_{SUPPLY}$

The TMCM-1076 comes with approximately 40 $\mu$ F of onboard ceramic capacitors.

### NOTICE

#### There is no reverse polarity protection on the supply input!

The module will short any reversed supply voltage and board electronics will get damaged.

### NOTICE

#### Power Up Sequence

The TMCM-1076 must be powered up with disabled driver stage only. Depending on your configuration the EN input should be logically OFF. For example, if COMM input is connected to 3.3V to 6V, the EN input must be 0V. If common ground or 0V level is connected to COMM input, the EN input must have high level.



### 4.3 TTL UART Connection

To connect via the TTL UART interface to a host PC, we suggest using a USB serial converter from TTL-UART (5V) to USB interface.

Communication with the host PC, for example when using TRINAMIC’s TMCL-IDE, is done via the Virtual COM port installed by the converter driver.

More information on the TMCL-IDE and the latest release can be found here: [www.trinamic.com](http://www.trinamic.com)

The converter cable must be connected to pins 1, 8, and 9 (GND, RXD, TXD) of the I/O connector.

**Note**

**Default Baud Rates**

The default baud rate is 9600 bps.  
In bootloader mode, the baud rate is 115200 bps.

**Info**

**USB to UART converter**

For example, the TTL-232R-5V from FTDI is working with the module and has been tested. More information on this converter is available on the FTDI website: [www.ftdichip.com](http://www.ftdichip.com)

**NOTICE**

**5V TTL UART Level**

The TTL UART interface works with 5V level. Take special care when selecting a converter cable for USB connection.

### 4.4 Status LEDs

The TMCM-1076 has one green status LED. See figure 6 for its location.

State	Description
Blinking	MCU active, normal operation
Permanent on	Bootloader mode
Off	Power Off

Table 6: LED state description



## 5 Functional Description

### 5.1 Typical Application Wiring

Wire the TMCM-1076 as shown in the following figures.

- Connect the the power supply to V+ and GND.
- Connect the Step and Direction signals to your motion controller.
- At power up time, the EN input must be low (= driver stage disabled)!
- Optional: Connect UART to a TTL UART interface with 5V logic levels. To configure your TMCM-1076 connect start the TMCL-IDE and use the parameterization tools. For detailed instructions refer to the TMCM-1076-firmware-manual.

**Note**

**The TTL UART interface is not optically isolated. It has and requires 5V level signals.**

Nevertheless, it provides basic ESD and rail-to-rail signal line protection for the TMCM-1076.

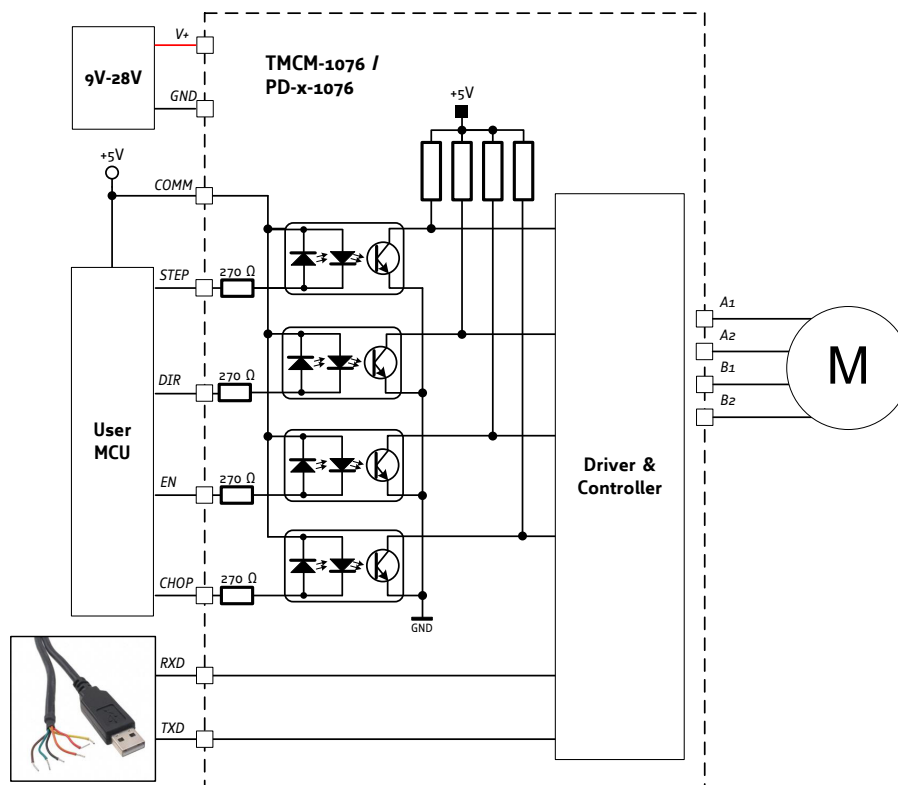


Figure 7: Typical application scenario with 5V inputs



## 5.2 Optically Isolated Inputs with Common Anode Input

The control inputs of the TMCM-1076 are optically isolated (not the TTL UART interface). All optocouplers share one common anode (COMM) input as shown in the figure above.

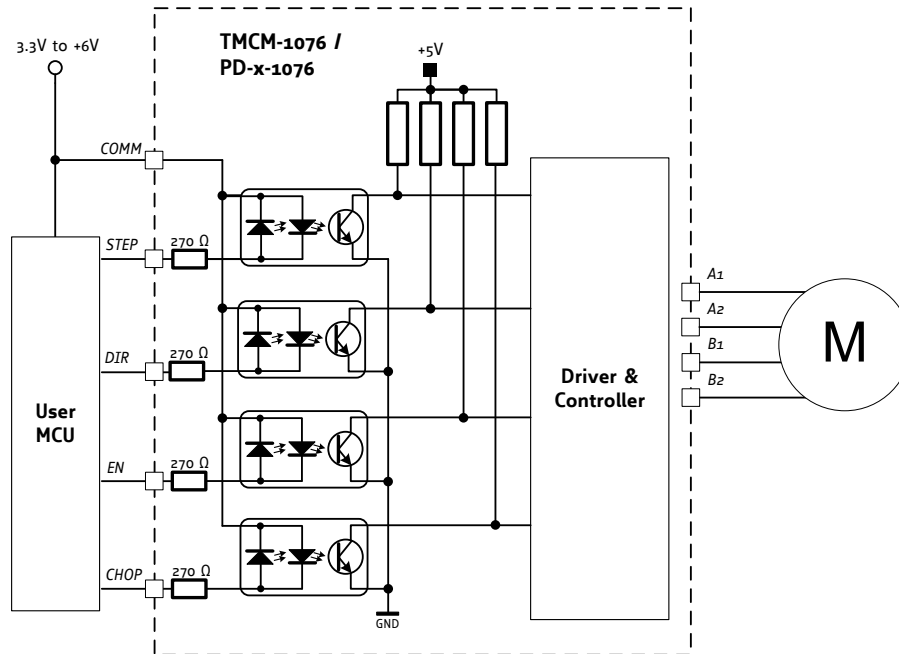


Figure 8: Inputs with common anode input with 3.3V to 6V

The typical voltage at COMM input is 5V. Nevertheless, 3.3V or voltages higher than 5V can also be used as long as the current is through the optocouplers' emitter is between 5mA to 20mA. For 3.3V operation the controller must be carefully selected with respect to its I/O ports, its actual output voltage, and the series resistor of the I/O ports. The user must make sure that the current through the optocouplers' emitter is between 5mA to 20mA.

### Note

#### Step pulse width

Width of the step pulses should be between 2µs and 4µs, for maximum step frequency.

With a larger step pulse width, for example 50% duty cycle coming from a frequency generator, the maximum input frequency will be lower at ca. 9kHz..



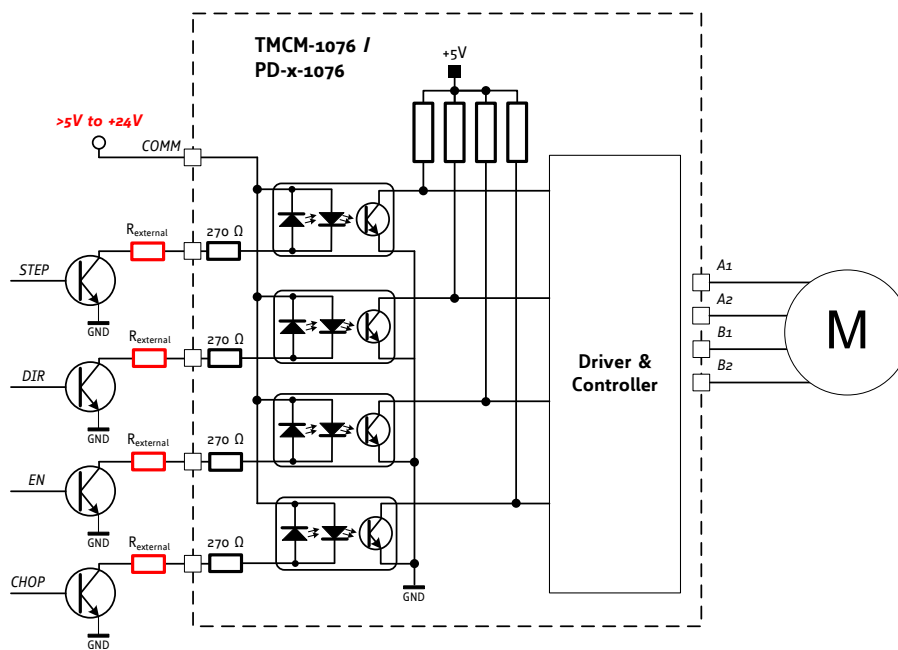


Figure 9: Inputs with common anode input with >5V to 24V

The series resistors in the TMCM-1076 are 270mOhms. For operation with voltages higher than 5V an additional external resistor  $R_{external}$  is required per input to limit the current. See Table 7 as reference for additional external resistor values.

COMM Voltage (V)	Value of $R_{external}$ ( $\Omega$ )
3.3	-
5	-
9	300
12	500
15	700
24	1K5

Table 7: Additional resistor reference values

**Note**

**$R_{external}$  Selection**

Take care when selecting an additional external resistor. The resistor type must have a fitting power rating. This depends on the voltage used at COMM input.

**5.3 Optically Isolated Inputs with Common Cathode Input**

The optocouplers inside TMCM-1076 are bidirectional types (AC/DC). Thus, COMM can also be used as common cathode connection with high-side (pnp style) switches instead of low side (nnp style) as shown in previous figures 9, 8 or 7.



## 5.4 Thermal Behavior

The motor current may be set to the specified maximum current of 3A RMS / 4.2A peak for the TMC-1076 which is slightly above the maximum specified current for the stepper motor options (available as PD57/PD60-x-1076).

Typically, at this nominal current setting the stepper motor and the driver electronics will get hot. Continuous operation at maximum current is not guaranteed without cooling the motor.

---

### Note

**Operation with Maximum Current Setting** For table-top testing and application bring-up the current should be reduced or the coolStep feature should be configured to keep heating on a reasonable level. Especially, when there is no other cooling option for the motor.

For proper and continuous operation at maximum current, the motor flange must be mounted to the applications mechanical interface with good contact.

---



## 6 Operational Ratings and Characteristics

### 6.1 Absolute Maximum Ratings

Parameter	Min	Max	Unit
Supply voltage	+10	+30	V
Working temperature	-30	+40	°C
Motor coil current / sine wave <b>peak</b>		4.2	A
Continuous motor current ( <b>RMS</b> )		3	A

#### NOTICE

**Never Exceed the absolute maximum ratings!** Stresses above those listed under "Absolute Maximum Ratings" may cause permanent damage to the device. This is a stress rating only and functional operation of the device at those or any other conditions above those indicated in the operation listings of this specification is not implied. Exposure to maximum rating conditions for extended periods may affect device reliability.

Keep the power supply voltage below the upper limit of +30V! Otherwise the board electronics will seriously be damaged! Especially, when the selected operating voltage is near the upper limit a regulated power supply is highly recommended.

### 6.2 Electrical Characteristics (Ambient Temperature 25° C)

Parameter	Symbol	Min	Typ	Max	Unit
Supply voltage	$V_{DD}$	10	24	30	V
Motor coil current / sine wave <b>peak</b> (chopper regulated, adjustable via TTL UART interface)	$I_{COILpeak}$	0		4.2	A
Continuous motor current ( <b>RMS</b> )	$I_{COILRMS}$	0		3	A
Power supply current	$I_{DD}$		$\ll I_{COIL}$	$1.4 * I_{COIL}$	A

Table 9: Electrical Characteristics

### 6.3 I/O Ratings (Ambient Temperature 25° C)

Parameter	Symbol	Min	Typ	Max	Unit
COMM input voltage	$V_{COMM}$	3.3	5	6	V
Input frequency of optically isolated I/Os	$f_{in}$			45	kHz
TTL UART input voltage	$V_{TTLIN}$		5	5.5	V
TTL UART low level voltage	$V_{TLLL}$	0		1.75	V



TTL UART high level voltage	$V_{TTL_H}$	3.25		5	V
TTL UART output voltage	$V_{TTL\_OUT}$		5		V

Table 10: Operational ratings of optically isolated inputs and TTL UART interface

## 6.4 Functional Characteristics

Parameter	Description / Value
Control	4-wire interface with Step, Direction, Enable, and Chopper Mode Switch
Step Pulse Width	The step pulse width should be between 2 $\mu$ s and 4 $\mu$ s for maximum frequency. With a larger step pulse width, for example 50% duty cycle coming from a frequency generator, the maximum input frequency will be lower at ca. 9kHz.
Communication	2-wire TTL UART interface for configuration, 9600-115200 bps (default 9600 bps)
Driving Mode	spreadCycle and stealthChop chopper modes (selectable with CHOP input), adaptive automatic current reduction using stallGuard2 and coolStep
Stepping Resolution	Full, 1/2, 1/4, 1/8, 1/16, 1/32, 1/64, 1/128, 1/256 step, default is 1/16 with internal interpolation to 1/256

Table 11: Functional Characteristics

## 6.5 Other Requirements

Specifications	Description or Value
Cooling	Free air
Working environment	Avoid dust, water, oil mist and corrosive gases, no condensation, no frosting
Working temperature	-30° C to +40° C

Table 12: Other Requirements and Characteristics





## 7 Abbreviations used in this Manual

Abbreviation	Description
COMM	Common Anode or common cathode
IDE	Integrated Development Environment
LED	Light Emmitting Diode
RMS	Root Mean Square value
TMCL	TRINAMIC Motion Control Language
TTL	Transistor Transistor Logic
UART	Universal Asynchronous Receiver Transmitter
USB	Universal Serial Bus

*Table 13: Abbreviations used in this Manual*



## 8 Figures Index

1 Motor coil sine wave current using stealthChop (measured with current probe) . . . . .	4	5 TMCM-1076 top view mechanical dimensions (left) and position of mounting holes (marked red / right). All dimensions in mm . . . . .	7
2 spreadCycle principle . . . . .	4	6 TMCM-1076 connectors . . . . .	8
3 stallGuard2 Load Measurement as a Function of Load . . . . .	5	7 Typical application scenario with 5V inputs	11
4 Energy Efficiency Example with coolStep	5	8 Inputs with common anode input with 3.3V to 6V . . . . .	12
		9 Inputs with common anode input with >5V to 24V . . . . .	13



## 9 Tables Index

1	Order codes modules . . . . .	6	10	Operational ratings of optically isolated inputs and TTL UART interface . . . . .	16
2	Order codes cable loom . . . . .	6	11	Functional Characteristics . . . . .	16
3	TCCM-1076 dimensions and weight . . . . .	7	12	Other Requirements and Characteristics	16
4	Motor connector pinning . . . . .	8	13	Abbreviations used in this Manual . . . . .	17
5	Power + I/O connector pinning . . . . .	9	14	Hardware Revision . . . . .	22
6	LED state description . . . . .	10	15	Document Revision . . . . .	22
7	Additional resistor reference values . . . . .	13			
9	Electrical Characteristics . . . . .	15			



## 10 Supplemental Directives

### 10.1 Producer Information

### 10.2 Copyright

TRINAMIC owns the content of this user manual in its entirety, including but not limited to pictures, logos, trademarks, and resources. © Copyright 2019 TRINAMIC. All rights reserved. Electronically published by TRINAMIC, Germany.

Redistributions of source or derived format (for example, Portable Document Format or Hypertext Markup Language) must retain the above copyright notice, and the complete Datasheet User Manual documentation of this product including associated Application Notes; and a reference to other available product-related documentation.

### 10.3 Trademark Designations and Symbols

Trademark designations and symbols used in this documentation indicate that a product or feature is owned and registered as trademark and/or patent either by TRINAMIC or by other manufacturers, whose products are used or referred to in combination with TRINAMIC's products and TRINAMIC's product documentation.

This Hardware Manual is a non-commercial publication that seeks to provide concise scientific and technical user information to the target user. Thus, trademark designations and symbols are only entered in the Short Spec of this document that introduces the product at a quick glance. The trademark designation /symbol is also entered when the product or feature name occurs for the first time in the document. All trademarks and brand names used are property of their respective owners.

### 10.4 Target User

The documentation provided here, is for programmers and engineers only, who are equipped with the necessary skills and have been trained to work with this type of product.

The Target User knows how to responsibly make use of this product without causing harm to himself or others, and without causing damage to systems or devices, in which the user incorporates the product.

### 10.5 Disclaimer: Life Support Systems

TRINAMIC Motion Control GmbH & Co. KG does not authorize or warrant any of its products for use in life support systems, without the specific written consent of TRINAMIC Motion Control GmbH & Co. KG.

Life support systems are equipment intended to support or sustain life, and whose failure to perform, when properly used in accordance with instructions provided, can be reasonably expected to result in personal injury or death.

Information given in this document is believed to be accurate and reliable. However, no responsibility is assumed for the consequences of its use nor for any infringement of patents or other rights of third parties which may result from its use. Specifications are subject to change without notice.

### 10.6 Disclaimer: Intended Use

The data specified in this user manual is intended solely for the purpose of product description. No representations or warranties, either express or implied, of merchantability, fitness for a particular purpose



or of any other nature are made hereunder with respect to information/specification or the products to which information refers and no guarantee with respect to compliance to the intended use is given.

In particular, this also applies to the stated possible applications or areas of applications of the product. TRINAMIC products are not designed for and must not be used in connection with any applications where the failure of such products would reasonably be expected to result in significant personal injury or death (safety-Critical Applications) without TRINAMIC's specific written consent.

TRINAMIC products are not designed nor intended for use in military or aerospace applications or environments or in automotive applications unless specifically designated for such use by TRINAMIC. TRINAMIC conveys no patent, copyright, mask work right or other trade mark right to this product. TRINAMIC assumes no liability for any patent and/or other trade mark rights of a third party resulting from processing or handling of the product and/or any other use of the product.

## 10.7 Collateral Documents & Tools

This product documentation is related and/or associated with additional tool kits, firmware and other items, as provided on the product page at: [www.trinamic.com](http://www.trinamic.com).



## 11 Revision History

### 11.1 Hardware Revision

Version	Date	Author	Description
1.00	2018-FEB-28	GE	First prototype version.
1.10	2018-APR-09	GE	Pull-ups for opto-isolator changed to lower values (to be compatible with TMC-1070).

*Table 14: Hardware Revision*

### 11.2 Document Revision

Version	Date	Author	Description
1.00	2018-JUN-25	GE	First release.
1.01	2019-AUG-01	OK	Product picture updated.

*Table 15: Document Revision*



## X-ON Electronics

Largest Supplier of Electrical and Electronic Components

*Click to view similar products for [Motor Drives](#) category:*

*Click to view products by [Analog Devices](#) manufacturer:*

Other Similar products are found below :

[GMA02](#) [R7DBP02L](#) [1300920283](#) [ST10-S](#) [GMA11](#) [GMA20](#) [R88DUA03LAAC100V30W](#) [R88DUA12HA](#) [R88DUP03LAAC100V30W](#)  
[STR2](#) [VFD002EL11A](#) [MFMCB0030GET](#) [MFECA0030EAM](#) [1302263150](#) [1300920078](#) [R88D-GN04H-ML2](#) [R88D-KT01H](#) [R7D-BP01H](#)  
[R88D-KN04L-ECT](#) [70354063](#) [79294435](#) [27358015](#) [15275008](#) [ST5-Q-EN](#) [1SFA896103R1100](#) [1SFA896103R7000](#) [1SFA896112R1100](#)  
[R88D-GP08H](#) [GNCF8-11](#) [KLC35BE](#) [ST10-Q-RN](#) [1302263161](#) [SV2D10-Q-AE](#) [VX5A1300](#) [R88A-CA1C005SF-E](#) [R88A-CR1B005NF-E](#)  
[SEH 71-4B](#) [U-PKZ0\(400V50HZ\)](#) [LUCC12BL](#) [LUCC12FU](#) [LU9BN11L](#) [LULC08](#) [GV2P01](#) [UDS1UR6M50CANCZ183](#) [LC1D09M7](#)  
[103H7126-1740](#) [103H7823-1741](#) [111.3761.20.00E](#) [111.3761.30.00E](#) [808070RAT250](#)