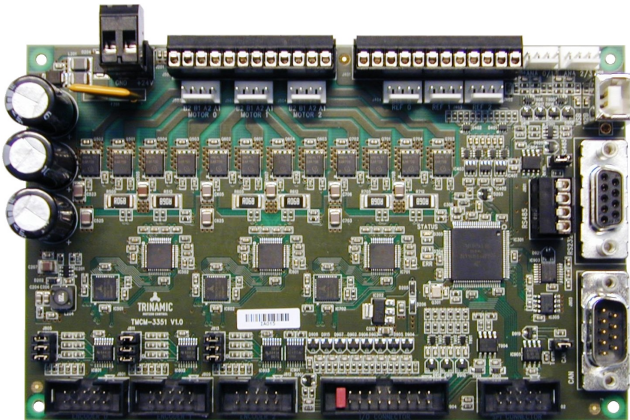


# TMCM-3351 CANopen® Firmware Manual

Firmware Version V3.22 | Document Revision V1.01 • 2019-FEB-14

The TMCM-3351 is a three axes controller/driver modules for 2-phase bipolar stepper motors with separate differential encoder and separate home and stop switch inputs for each axis. Dynamic current control, and quiet, smooth and efficient operation are combined with StealthChop™, Dc-Step™, StallGuard™ and CoolStep™ features. The module also offers eight digital inputs as well as four analogue inputs and eight digital outputs.



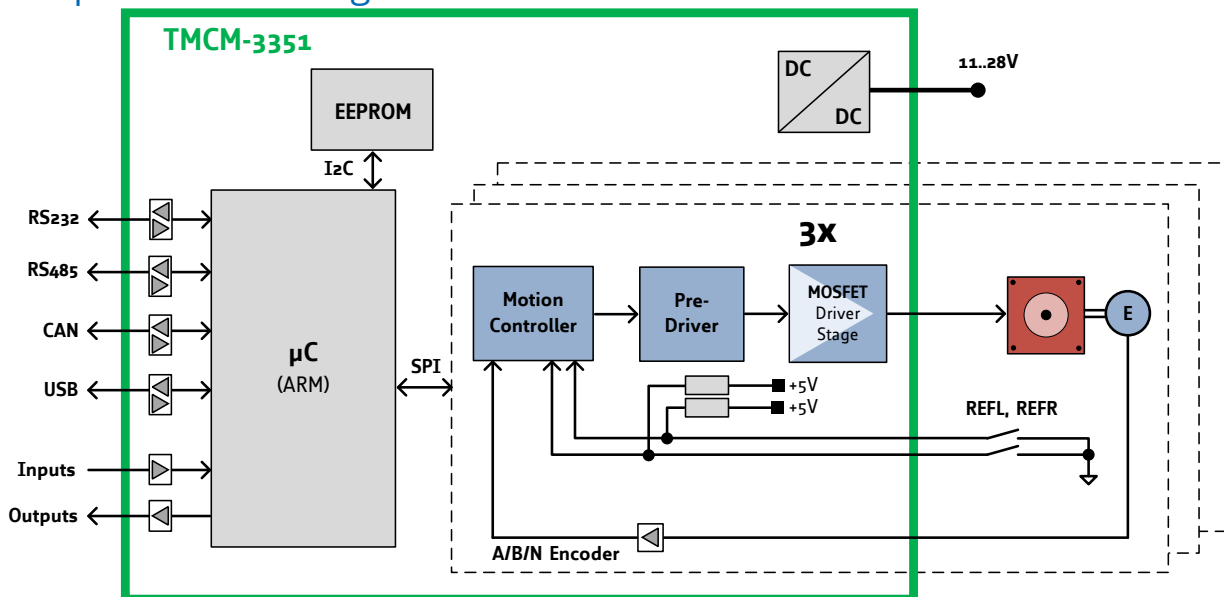
## Features

- 3-Axes stepper motor control
- CANopen® CiA-402 drive profile
- Linear ramps, SixPoint™ ramps and s-shaped ramps selectable
- Closed loop encoder support
- CoolStep™
- DcStep™
- StallGuard2™
- StealthChop™

## Applications

- Laboratory Automation
- Manufacturing
- Semiconductor Handling
- Robotics
- Factory Automation
- Test & Measurement
- Life Science
- Biotechnology
- Liquid Handling

## Simplified Block Diagram



# Contents

<b>1</b>	<b>Preface</b>	<b>7</b>
1.1	General Features of this CANopen Implementation	7
1.2	Abbreviations used in this Manual	8
1.3	Firmware Update	8
1.4	Trinamic's unique Features — easy to use with CANopen®	9
1.4.1	StallGuard2™	9
1.4.2	CoolStep™	9
1.5	Closed-Loop Operation	10
1.5.1	Closed-Loop Parameters	11
1.5.2	Load Angle Control	12
1.5.3	Current Level Control	13
1.5.4	Field Weakening	13
1.5.5	Position Catch up	14
<b>2</b>	<b>Communication</b>	<b>15</b>
2.1	Reference Model	15
2.2	NMT State Machine	17
2.3	Device Model	18
2.4	Object Dictionary	19
2.4.1	Object Indices on Multi-Axis Modules	20
<b>3</b>	<b>Communication Area</b>	<b>21</b>
3.1	Detailed Object Specifications	21
3.1.1	Object 1000 <sub>h</sub> : Device Type	21
3.1.2	Object 1001 <sub>h</sub> : Error Register	21
3.1.3	Object 1005 <sub>h</sub> : COB-ID SYNC Message	22
3.1.4	Object 1008 <sub>h</sub> : Manufacturer Device Name	23
3.1.5	Object 1009 <sub>h</sub> : Manufacturer Hardware Version	23
3.1.6	Object 100A <sub>h</sub> : Manufacturer Software Version	23
3.1.7	Object 100C <sub>h</sub> : Guard Time	24
3.1.8	Object 100D <sub>h</sub> : Life Time Factor	24
3.1.9	Object 1010 <sub>h</sub> : Store Parameters	24
3.1.10	Object 1011 <sub>h</sub> : Restore Parameters	26
3.1.11	Object 1014 <sub>h</sub> : COB-ID Emergency Object	27
3.1.12	Object 1015 <sub>h</sub> : Inhibit Time EMCY	27
3.1.13	Object 1016 <sub>h</sub> : Consumer Heartbeat Time	28
3.1.14	Object 1017 <sub>h</sub> : Producer Heartbeat Time	29
3.1.15	Object 1018 <sub>h</sub> : Identity Object	29
3.1.16	Object 1023 <sub>h</sub> : OS Command	30
3.1.17	Object 1029 <sub>h</sub> : Error Behaviour	30
3.1.18	Objects 1400 <sub>h</sub> – 1403 <sub>h</sub> : Receive PDO Communication Parameter	31
3.1.19	Objects 1600 <sub>h</sub> – 1603 <sub>h</sub> : Receive PDO Mapping Parameter	32
3.1.20	Objects 1800 <sub>h</sub> – 1803 <sub>h</sub> : Transmit PDO Communication Parameter	33
3.1.21	Objects 1A00 <sub>h</sub> – 1A03 <sub>h</sub> : Transmit PDO Mapping Parameter	34
<b>4</b>	<b>Manufacturer specific Area</b>	<b>36</b>
4.1	Objects related to CoolStep™	36
4.2	Detailed Object Specifications	39
4.2.1	Object 2000 <sub>h</sub> : Microstep Resolution	39
4.2.2	Object 2001 <sub>h</sub> : Fullstep Resolution	39
4.2.3	Object 2002 <sub>h</sub> : Brake Delay Times	39
4.2.4	Object 2003 <sub>h</sub> : Maximum Current	40



4.2.5	Object 2004 <sub>h</sub> : Standby Current	41
4.2.6	Object 2005 <sub>h</sub> : Limit Switches	41
4.2.7	Object 200A <sub>h</sub> : Enable Drive Delay Time	42
4.2.8	Object 200B <sub>h</sub> : Encoder Parameters	42
4.2.9	Object 200C <sub>h</sub> : Brake Current Feed	43
4.2.10	Object 200F <sub>h</sub> : Encoder N Channel Latch	43
4.2.11	Object 2010 <sub>h</sub> : Profile Start Velocity	44
4.2.12	Object 2011 <sub>h</sub> : Profile Start Acceleration	44
4.2.13	Object 2012 <sub>h</sub> : Profile Break Velocity	45
4.2.14	Object 2013 <sub>h</sub> : Profile Final Deceleration	45
4.2.15	Object 2014 <sub>h</sub> : Profile Stop Deceleration	45
4.2.16	Object 2015 <sub>h</sub> : Bow Scaling Factor	46
4.2.17	Object 2020 <sub>h</sub> : Closed Loop Mode	46
4.2.18	Object 2021 <sub>h</sub> : Correction Position P	47
4.2.19	Object 2022 <sub>h</sub> : Maximum Correction Tolerance	47
4.2.20	Object 2027 <sub>h</sub> : Closed Loop Beta	47
4.2.21	Object 2028 <sub>h</sub> : Closed Loop Offset	48
4.2.22	Object 2029 <sub>h</sub> : Current Scaler Minimum	48
4.2.23	Object 202A <sub>h</sub> : Current Scaler Maximum	48
4.2.24	Object 202B <sub>h</sub> : Correction Velocity P	49
4.2.25	Object 202C <sub>h</sub> : Correction Velocity I	49
4.2.26	Object 202D <sub>h</sub> : Correction Velocity I Clipping	50
4.2.27	Object 202E <sub>h</sub> : Correction Velocity DV Clock	50
4.2.28	Object 202F <sub>h</sub> : Correction Velocity DV Clipping	51
4.2.29	Object 2030 <sub>h</sub> : Upscale Delay	51
4.2.30	Object 2031 <sub>h</sub> : Downscale Delay	51
4.2.31	Object 2033 <sub>h</sub> : Actual Scaling Factor	52
4.2.32	Object 2034 <sub>h</sub> : Field Weakening Minimum Velocity	52
4.2.33	Object 2035 <sub>h</sub> : Field Weakening Maximum Velocity	53
4.2.34	Object 2036 <sub>h</sub> : Field Weakening	53
4.2.35	Object 204E <sub>h</sub> : Boost Current	53
4.2.36	Object 2089 <sub>h</sub> : Setting Delay	54
4.2.37	Object 208C <sub>h</sub> : Velocity Dimension Index	54
4.2.38	Object 208E <sub>h</sub> : Acceleration Dimension Index	55
4.2.39	Object 2092 <sub>h</sub> : Chopper Blank Time	55
4.2.40	Object 2093 <sub>h</sub> : Chopper Mode	56
4.2.41	Object 2094 <sub>h</sub> : Chopper Hysteresis Decrement	56
4.2.42	Object 2095 <sub>h</sub> : Chopper Hysteresis End	57
4.2.43	Object 2096 <sub>h</sub> : Chopper Hysteresis Start	57
4.2.44	Object 2097 <sub>h</sub> : Chopper Off Time	57
4.2.45	Object 2098 <sub>h</sub> : Smart Energy Current Minimum	58
4.2.46	Object 2099 <sub>h</sub> : Smart Energy Current Down Step	58
4.2.47	Object 209A <sub>h</sub> : Smart Energy Hysteresis	59
4.2.48	Object 209B <sub>h</sub> : Smart Energy Current Up Step	59
4.2.49	Object 209C <sub>h</sub> : Smart Energy Hysteresis Start	60
4.2.50	Object 209D <sub>h</sub> : Smart Energy Filter Enable	60
4.2.51	Object 209E <sub>h</sub> : StallGuard2 Threshold	61
4.2.52	Object 20A1 <sub>h</sub> : Short Protection Disable	61
4.2.53	Object 20A3 <sub>h</sub> : Vsense	62
4.2.54	Object 20A4 <sub>h</sub> : Stop on Stall	62
4.2.55	Object 20A5 <sub>h</sub> : Smart Energy Threshold Speed	63
4.2.56	Object 2100 <sub>h</sub> : Home Offset Display	63
4.2.57	Object 2101 <sub>h</sub> : Actual Load Value	63
4.2.58	Object 2102 <sub>h</sub> : Driver Error Flags	64



4.2.59	Object 2107 <sub>h</sub> : Microstep Resolution Display	64
4.2.60	Object 210B <sub>h</sub> : Step Counter	65
4.2.61	Object 2120 <sub>h</sub> : Closed Loop Initialization Flag	65
4.2.62	Object 2700 <sub>h</sub> : TMCL Direct Communication	66
4.2.63	Object 2701 <sub>h</sub> : Manufacturer Specific Mode	66
4.2.64	Object 2702 <sub>h</sub> : Device Digital Inputs	67
4.2.65	Object 2703 <sub>h</sub> : Device Digital Outputs	67
4.2.66	Object 2704 <sub>h</sub> : CAN Bit Rate	68
4.2.67	Object 2705 <sub>h</sub> : Node ID	69
4.2.68	Object 2706 <sub>h</sub> : Store	70
4.2.69	Object 2707 <sub>h</sub> : CAN Bit Rate Load	70
4.2.70	Object 2708 <sub>h</sub> : Node ID Load	70
4.2.71	Object 270E <sub>h</sub> : Device Analog Inputs	71
<b>5</b>	<b>Profile specific Area</b>	<b>72</b>
5.1	Detailed Object Specifications	72
5.1.1	Object 605A <sub>h</sub> : Quick Stop Option Code	72
5.1.2	Object 605B <sub>h</sub> : Shutdown Option Code	73
5.1.3	Object 605C <sub>h</sub> : Disable Operation Option Code	74
5.1.4	Object 605D <sub>h</sub> : Halt Option Code	74
5.1.5	Object 605E <sub>h</sub> : Fault Reaction Option Code	75
5.1.6	Object 6060 <sub>h</sub> : Modes of Operation	75
5.1.7	Object 6061 <sub>h</sub> : Modes of Operation Display	76
5.1.8	Object 606A <sub>h</sub> : Sensor Selection Code	77
5.1.9	Object 608F <sub>h</sub> : Position Encoder Resolution	78
5.1.10	Object 60FD <sub>h</sub> : Digital Inputs	78
5.1.11	Object 6502 <sub>h</sub> : Supported Drive Modes	79
<b>6</b>	<b>Profile Position Mode</b>	<b>81</b>
6.1	Detailed Object Specifications	81
6.1.1	Object 6040 <sub>h</sub> : Control Word	82
6.1.2	Object 6041 <sub>h</sub> : Status Word	83
6.1.3	Object 6062 <sub>h</sub> : Position Demand Value	84
6.1.4	Object 6063 <sub>h</sub> : Position Actual Internal Value	85
6.1.5	Object 6064 <sub>h</sub> : Position Actual Value	85
6.1.6	Object 6065 <sub>h</sub> : Following Error Window	86
6.1.7	Object 6067 <sub>h</sub> : Position Window	86
6.1.8	Object 6068 <sub>h</sub> : Position Window Time	87
6.1.9	Object 606C <sub>h</sub> : Velocity Actual Value	87
6.1.10	Object 607A <sub>h</sub> : Target Position	88
6.1.11	Object 607D <sub>h</sub> : Software Position Limit	88
6.1.12	Object 6081 <sub>h</sub> : Profile Velocity	89
6.1.13	Object 6082 <sub>h</sub> : End Velocity	89
6.1.14	Object 6083 <sub>h</sub> : Profile Acceleration	90
6.1.15	Object 6084 <sub>h</sub> : Profile Deceleration	90
6.1.16	Object 6085 <sub>h</sub> : Quick Stop Deceleration	90
6.1.17	Object 6086 <sub>h</sub> : Motion Profile Type	91
6.1.18	Object 60A4 <sub>h</sub> : Profile Jerk	91
6.1.19	Object 60F2 <sub>h</sub> : Positioning Option Code	92
6.2	How to move a Motor in pp Mode	93



<b>7</b>	<b>Profile Velocity Mode</b>	<b>94</b>
7.1	Detailed Object Specifications . . . . .	94
7.1.1	Object 6040 <sub>h</sub> : Control Word . . . . .	94
7.1.2	Object 6041 <sub>h</sub> : Status Word . . . . .	95
7.1.3	Object 6062 <sub>h</sub> : Position Demand Value . . . . .	97
7.1.4	Object 6063 <sub>h</sub> : Position Actual Internal Value . . . . .	97
7.1.5	Object 6064 <sub>h</sub> : Position Actual Value . . . . .	98
7.1.6	Object 6065 <sub>h</sub> : Following Error Window . . . . .	98
7.1.7	Object 606C <sub>h</sub> : Velocity Actual Value . . . . .	99
7.1.8	Object 607D <sub>h</sub> : Software Position Limit . . . . .	99
7.1.9	Object 6083 <sub>h</sub> : Profile Acceleration . . . . .	100
7.1.10	Object 6084 <sub>h</sub> : Profile Deceleration . . . . .	100
7.1.11	Object 6085 <sub>h</sub> : Quick Stop Deceleration . . . . .	100
7.1.12	Object 6086 <sub>h</sub> : Motion Profile Type . . . . .	101
7.1.13	Object 60A4 <sub>h</sub> : Profile Jerk . . . . .	101
7.1.14	Object 60FF <sub>h</sub> : Target Velocity . . . . .	102
7.2	How to move a Motor in pv Mode . . . . .	103
<b>8</b>	<b>Homing Mode</b>	<b>104</b>
8.1	Homing Methods . . . . .	105
8.1.1	Homing Method 1: Homing on negative Limit Switch and Index Pulse . . . . .	105
8.1.2	Homing Method 2: Homing on positive Limit Switch and Index Pulse . . . . .	106
8.1.3	Homing Method 3: Homing on positive Home Switch and Index Pulse . . . . .	106
8.1.4	Homing Method 5: Homing on negative Home Switch and Index Pulse . . . . .	106
8.1.5	Homing Method 17: Homing on negative Limit Switch . . . . .	107
8.1.6	Homing Method 18: Homing on positive Limit Switch . . . . .	107
8.1.7	Homing Method 19: Homing on positive Home Switch . . . . .	108
8.1.8	Homing Method 21: Homing on negative Home Switch . . . . .	108
8.1.9	Homing Method 33 and 34: Homing on next Index Pulse . . . . .	108
8.1.10	Homing Method 35: Current Position as Home Position . . . . .	109
8.2	Detailed Object Specifications . . . . .	110
8.2.1	Object 6040 <sub>h</sub> : Control Word . . . . .	110
8.2.2	Object 6041 <sub>h</sub> : Status Word . . . . .	111
8.2.3	Object 606C <sub>h</sub> : Velocity Actual Value . . . . .	112
8.2.4	Object 607C <sub>h</sub> : Home Offset . . . . .	113
8.2.5	Object 6098 <sub>h</sub> : Homing Method . . . . .	114
8.2.6	Object 6099 <sub>h</sub> : Homing Speeds . . . . .	114
8.2.7	Object 609A <sub>h</sub> : Homing Acceleration . . . . .	114
8.3	How to start a Homing in hm Mode . . . . .	115
<b>9</b>	<b>Cyclic synchronous Position Mode</b>	<b>116</b>
9.1	Detailed Object Specifications . . . . .	116
9.1.1	Object 6040 <sub>h</sub> : Control Word . . . . .	116
9.1.2	Object 6041 <sub>h</sub> : Status Word . . . . .	117
9.1.3	Object 6062 <sub>h</sub> : Position Demand Value . . . . .	119
9.1.4	Object 6063 <sub>h</sub> : Position Actual Internal Value . . . . .	119
9.1.5	Object 6064 <sub>h</sub> : Position Actual Value . . . . .	120
9.1.6	Object 606C <sub>h</sub> : Velocity Actual Value . . . . .	120
9.1.7	Object 607A <sub>h</sub> : Target Position . . . . .	120
9.1.8	Object 607D <sub>h</sub> : Software Position Limit . . . . .	121
9.1.9	Object 60B0 <sub>h</sub> : Position Offset . . . . .	121
9.1.10	Object 60C2 <sub>h</sub> : Interpolation Time Period . . . . .	122



<b>10 Cyclic synchronous Velocity Mode</b>	<b>123</b>
10.1 Detailed Object Specifications	123
10.1.1 Object 6040 <sub>h</sub> : Control Word	123
10.1.2 Object 6041 <sub>h</sub> : Status Word	124
10.1.3 Object 606C <sub>h</sub> : Velocity Actual Value	126
10.1.4 Object 60FF <sub>h</sub> : Target Velocity	126
10.1.5 Object 607D <sub>h</sub> : Software Position Limit	126
10.1.6 Object 60B1 <sub>h</sub> : Velocity Offset	127
10.1.7 Object 60C2 <sub>h</sub> : Interpolation Time Period	127
<b>11 Cyclic synchronous Torque Mode</b>	<b>129</b>
11.1 Detailed Object Specifications	129
11.1.1 Object 6040 <sub>h</sub> : Control Word	129
11.1.2 Object 6041 <sub>h</sub> : Status Word	130
11.1.3 Object 6062 <sub>h</sub> : Position Demand Value	131
11.1.4 Object 6063 <sub>h</sub> : Position Actual Internal Value	132
11.1.5 Object 6064 <sub>h</sub> : Position Actual Value	132
11.1.6 Object 6071 <sub>h</sub> : Target Torque	133
11.1.7 Object 6077 <sub>h</sub> : Torque actual Value	133
11.1.8 Object 607D <sub>h</sub> : Software Position Limit	133
11.1.9 Object 60B2 <sub>h</sub> : Torque Offset	134
11.1.10 Object 60C2 <sub>h</sub> : Interpolation Time Period	134
<b>12 Emergency Messages (EMCY)</b>	<b>136</b>
<b>13 Figures Index</b>	<b>138</b>
<b>14 Tables Index</b>	<b>139</b>
<b>15 Supplemental Directives</b>	<b>143</b>
15.1 Producer Information	143
15.2 Copyright	143
15.3 Trademark Designations and Symbols	143
15.4 Target User	143
15.5 Disclaimer: Life Support Systems	143
15.6 Disclaimer: Intended Use	143
15.7 Collateral Documents & Tools	144
<b>16 Revision History</b>	<b>145</b>
16.1 Firmware Revision	145
16.2 Document Revision	145



# 1 Preface

This document specifies objects and modes of operation of the Trinamic TMCM-3351 stepper motor control module with CANopen firmware. The CANopen firmware is designed to fulfill the CANopen DS402 and DS301 standards. This manual assumes that the reader is already familiar with the basics of the CANopen protocol, defined by the DS301 and DS402 standards of the CAN-CiA.

If necessary it is always possible to turn the module into a TMCL module by loading the TMCM-3351 TMCL firmware again through the USB interface, with the help of the firmware update function of the TMCL-IDE 3.0.

## 1.1 General Features of this CANopen Implementation

### Main Characteristics

- Communication according to standard CiA-301 V4.1
- CAN bit rate: 20...1000kBit/s
- CAN ID: 11 bit
- Node ID: 1...127 (use vendor specific objects for changing the node ID)
- NMT services: NMT slave

### SDO Communication

- 1 server
- Expedited transfer
- Segmented transfer
- No block transfer

### PDO Communication

- Producer
- Consumer
- RPDOs
  - Axis 0: 1, 2, 3, 4
  - Axis 1: 65, 66, 67, 68
  - Axis 2: 129, 130, 131, 132
  - Transmission modes: asynchronous.
  - Dynamic mapping with max. 3 mapping entries.
  - Default mappings: according to CiA-402 for first three PDOs of each axis, manufacturer specific for other PDOs of each axis.
- TPDOs
  - Axis 0: 1, 2, 3, 4
  - Axis 1: 65, 66, 67, 68
  - Axis 2: 129, 130, 131, 132
  - Transmission modes: asynchronous, asynchronous with event timer, synchronous.
  - Dynamic mapping with max. 3 mapping entries.
  - Default mappings: according to CiA-402 for first three PDOs of each axis, manufacturer specific for other PDOs of each axis.





## Further Characteristics

- SYNC: consumer (TPDOs 3, 67, 131 are synchronous PDOs)
- Emergency: producer
- RTR: supported only for node guarding/life guarding
- Heartbeat: consumer and producer

## 1.2 Abbreviations used in this Manual

Abbreviations	
CAN	Controller area network
CHGND	chassis ground / earth ground
COB	Communication object
FSA	Finite state automaton
FSM	Finite state machine
NMT	Network management
ID	Identifier
LSB	Least significant bit
MSB	Most significant bit
PDO	Process data object
PDS	Power drive system
RPDO	Receive process data object
SDO	Service data object
TPDO	Transmit process data object
EMCY	Emergency object
rw	Read and write
ro	Read only
hm	Homing mode
pp	Profile position mode
pv	Profile velocity mode
vm	Velocity mode

*Table 1: Abbreviations used in this Manual*

## 1.3 Firmware Update

The software running on the microprocessor consists of two parts, a boot loader and the CANopen firmware itself. Whereas the boot loader is installed during production and testing at TRINAMIC and remains untouched throughout the whole lifetime, the CANopen firmware can easily be updated by the user. The new firmware can be loaded into the module via the firmware update function of the TMCL-IDE, using the USB interface of the module.





## 1.4 Trinamic's unique Features — easy to use with CANopen®

### 1.4.1 StallGuard2™

StallGuard2™ is a high-precision sensorless load measurement using the back EMF of the coils. It can be used for stall detection as well as other uses at loads below those which stall the motor. The StallGuard2™ measurement value changes linearly over a wide range of load, velocity, and current settings. At maximum motor load, the value reaches zero or is near zero. This is the most energy-efficient point of operation for the motor.

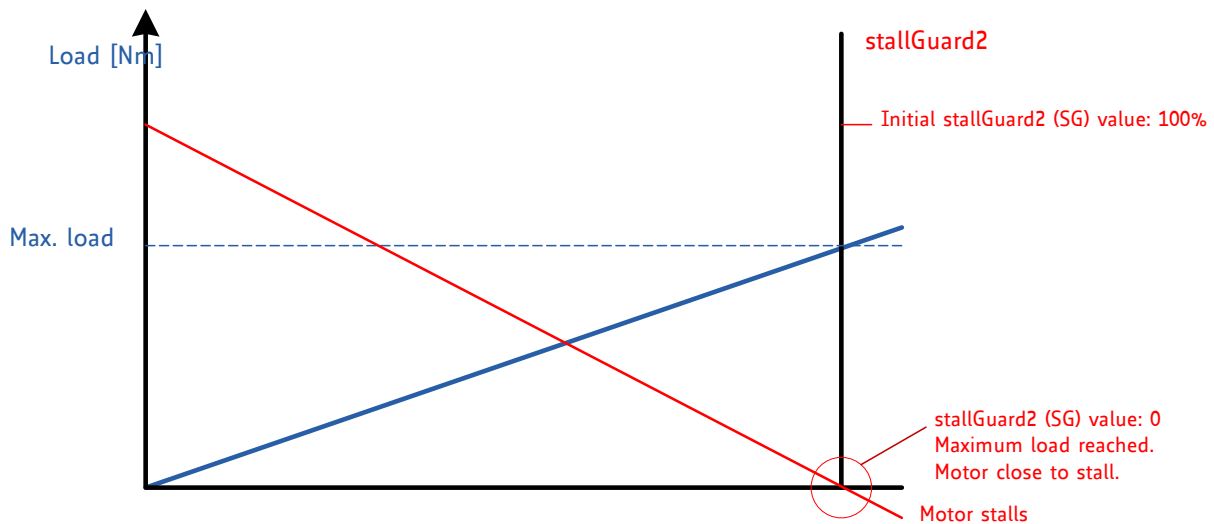


Figure 1: stallGuard2 Load Measurement as a Function of Load

### 1.4.2 CoolStep™

CoolStep™ is a load-adaptive automatic current scaling based on the load measurement via StallGuard2™ adapting the required current to the load. Energy consumption can be reduced by as much as 75%. CoolStep™ allows substantial energy savings, especially for motors which see varying loads or operate at a high duty cycle. Because a stepper motor application needs to work with a torque reserve of 30% to 50%, even a constant-load application allows significant energy savings because CoolStep™ automatically enables torque reserve when required. Reducing power consumption keeps the system cooler, increases motor life, and allows cost reduction.



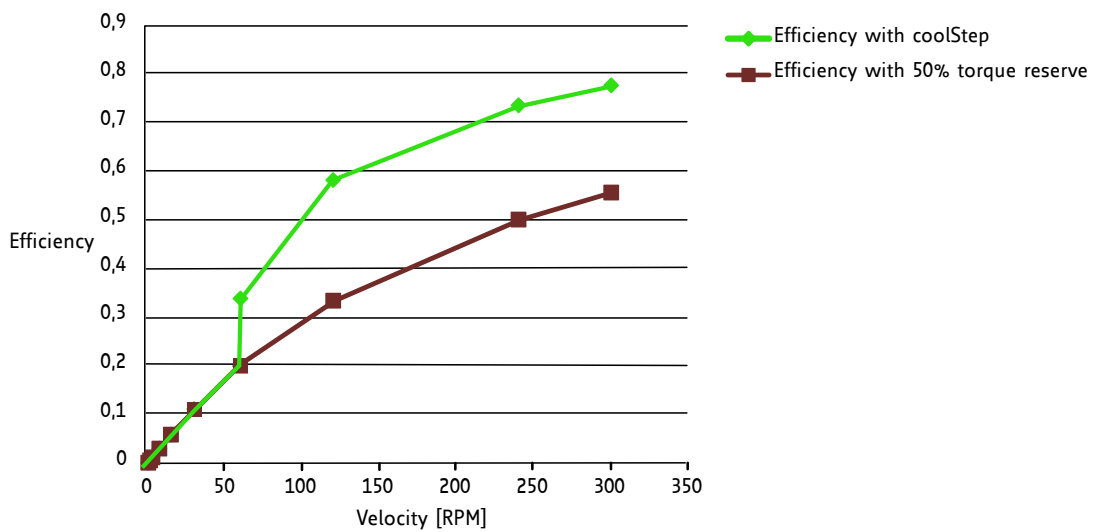


Figure 2: Energy Efficiency Example with CoolStep

### 1.5 Closed-Loop Operation

Together with an external ABN encoder it is possible to operate each axis of the TMCM-3351 as a closed-loop stepper system. Before enabling this feature, some parameters have to be set. The following table shows which objects should be set to which values in order to make closed-loop work. In this example we assume that a 1.8° motor is used together with a 40000cpr (10000lpr) encoder. Before the encoder can be used, the sensor selection code (object 606A<sub>h</sub>) has to be set to 0 (which means that a position encoder is to be used) and the resolution of the encoder ([cpr]) has to be written to object 608F<sub>h</sub> sub-index 1.



Closed-Loop Example Settings			
Parameter	Object	Value	Comment
Maximum current	2003 <sub>h</sub>	85	Set maximum motor current to 1 A.
Standby current	2004 <sub>h</sub>	10	Set standby current to 0.1 A.
Sensor selection code	606A <sub>h</sub>	0	Set to 0 in order to make encoder work. (default: -1 = no encoder)
Encoder resolution	608F <sub>h</sub> /1	10000	Set encoder resolution to 10000cpr.
Field weakening minimum velocity	2034 <sub>h</sub>	300000	Set gamma Vmin.
Field weakening maximum velocity	2035 <sub>h</sub>	1600000	Set gamma Vmax.
Field weakening	2036 <sub>h</sub>	255	(default value)
Closed loop beta	2027 <sub>h</sub>	255	Beta (default value)
Current scaler minimum	2029 <sub>h</sub>	50	
Current scaler maximum	202A <sub>h</sub>	255	
Maximum correction tolerance	2022 <sub>h</sub>	255	
Upscale delay	2030 <sub>h</sub>	1000	
Downscale delay	2031 <sub>h</sub>	10000	
Correction velocity P	202B <sub>h</sub>	3000	
Correction velocity I	202C <sub>h</sub>	20	
Correction velocity I clipping	202D <sub>h</sub>	2000	
Correction velocity DV clock	202E <sub>h</sub>	0	
Correction velocity DV clipping	202F <sub>h</sub>	100000	
Correction position P	2021 <sub>h</sub>	65536	

*Table 2: Closed-Loop Example Settings*

After these settings have been made, switch the state machine to OPERATIONAL (using the control word). Then, turn on closed-loop operation by setting object 2020<sub>h</sub> to 1. Now, read object 2120<sub>h</sub> until its value is 1 (closed-loop initialization finished).

### 1.5.1 Closed-Loop Parameters

The closed-loop operation of the TMC3351 is based on Trinamic's closed-loop hardware motion controller IC TMC4361.

The 2-phase closed-loop control of the TMC3351 follows a different approach than PID control cascades to consider stepper motor driver characteristics. The ramp generator which assigns target and velocity is independent of the position control (commutation angle control) which is also independent of the current control. The closed-loop control scheme is depicted in the following picture.



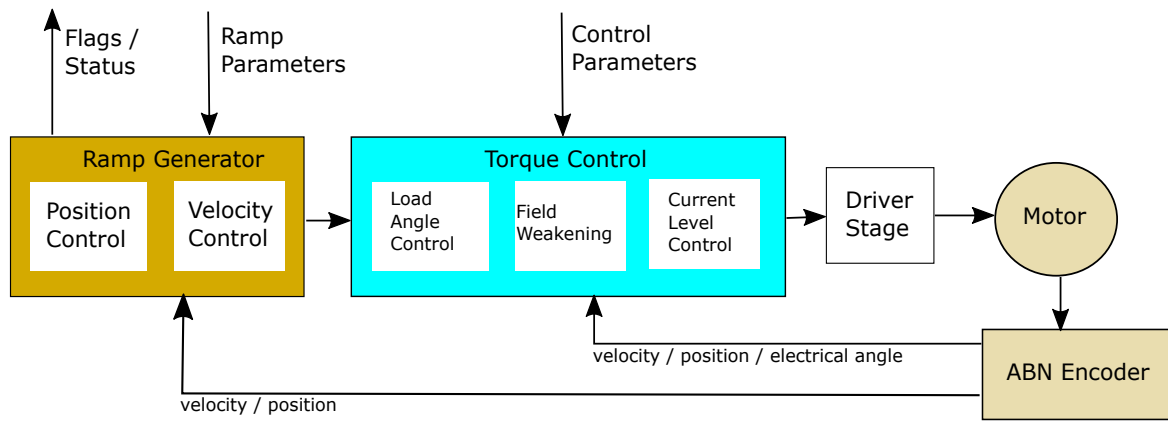


Figure 3: Closed-Loop Control Scheme

Load angle control and current level control will be executed in parallel.

### 1.5.2 Load Angle Control

As typical for stepper motor drivers, phase currents will be assigned directly to the motor drivers. This results in a current vector which should be followed by the rotor. The rotor position will be directly sampled by encoder feedback. The closed-loop motor control monitors the resulting load angle (deviation between driver stage current vector and encoder angle). Further on, the direction of the current vector will track the rotor position if the load angle should impend to exceed a certain limit. The result is a load angle which will never exceed the given limit and as a result no step loss will occur. Thus, the current vector will follow an overpowered load until the load is reduced.

Figure 4 shows the parameters which limit the load angle.

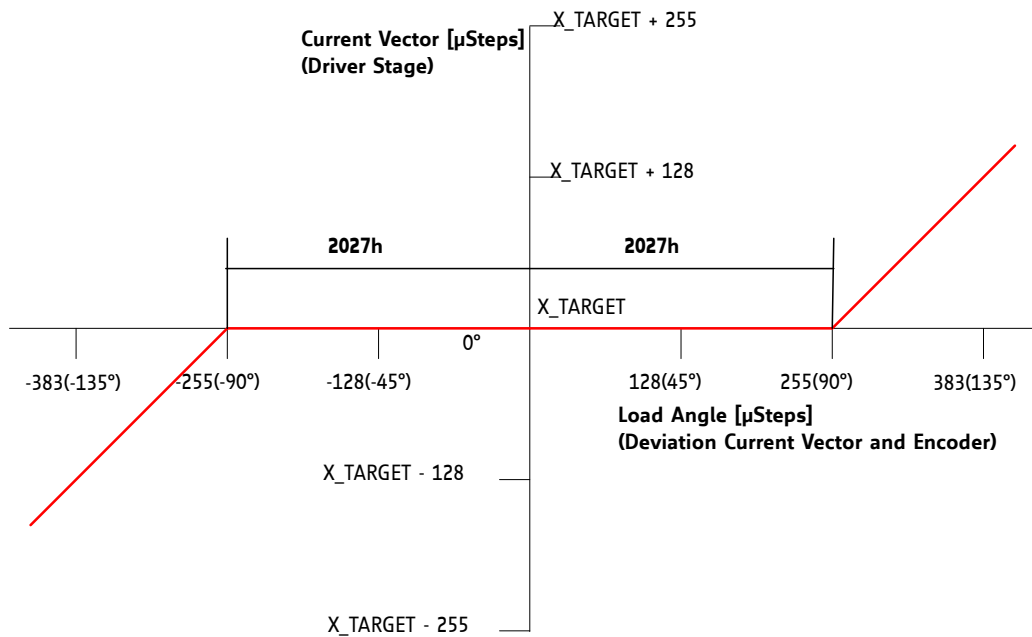


Figure 4: Load Angle Control Parameter



### 1.5.3 Current Level Control

Parallel to the load angle control the TMCM-3351 controls the motor current level (current vector amplitude) depending on the load angle to save energy during no or light load. Figure 5 gives an overview of the current control parameters.

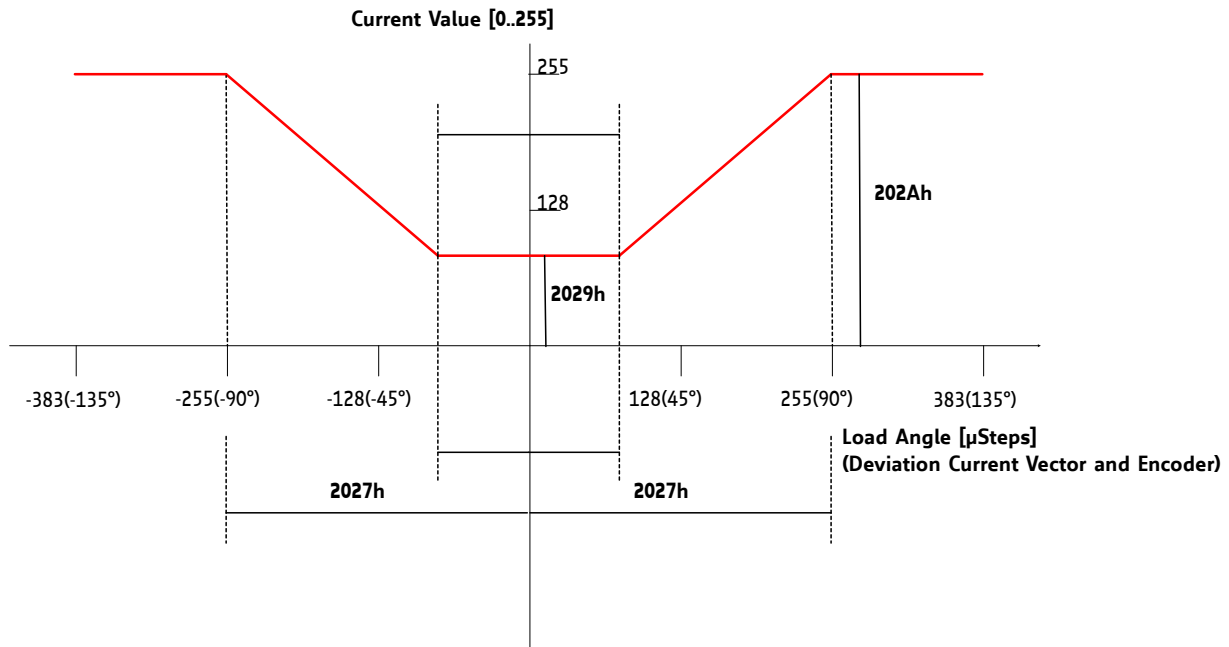


Figure 5: Current Level Control

- Object 2027<sub>h</sub>: Closed-loop beta.
- Object 2029<sub>h</sub>: Minimum closed-loop current scaler.
- Object 202A<sub>h</sub>: Maximum closed-loop current scaler.

Objects 2030<sub>h</sub> and 2031<sub>h</sub> set up the delay which defines how fast the actual current will be increased or decreased and will follow the red marked graph.

### 1.5.4 Field Weakening

With every stepper motor the TMCM-3351 will reach a velocity where it is not possible to maintain the target motor current due to the motor back EMF. Above this velocity load angle (2027<sub>h</sub>, default 90°) and current level control will reach their maximum. To drive the stepper motor faster the back EMF must be compensated by commutating the stepper motor with a commutation angle between 90° and 180°. The parameters for field weakening are described in figure 6.



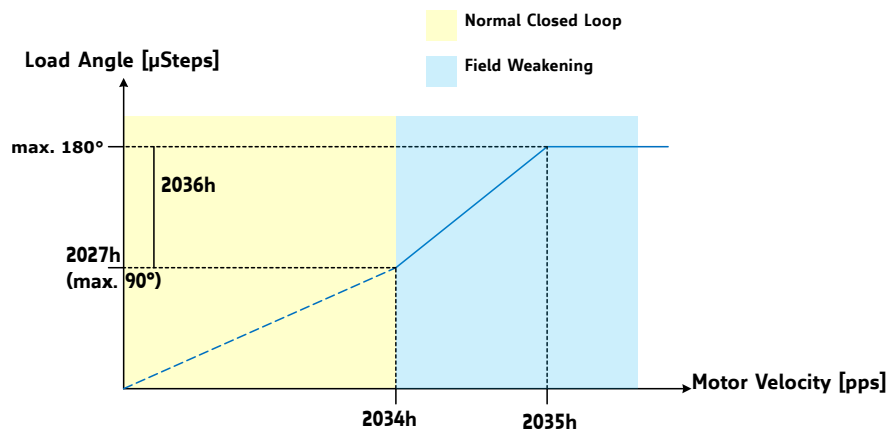


Figure 6: Field Weakening

- Object 2027<sub>h</sub>: Closed-loop beta.
- Object 2036<sub>h</sub>: Field weakening (closed-loop gamma).
- Object 2034<sub>h</sub>: Field weakening minimum velocity (gamma Vmin).
- Object 2035<sub>h</sub>: Field weakening maximum velocity (gamma Vmax).

### 1.5.5 Position Catch up

The TMCM-3351 includes a special feature for closed-loop positioning. Positioning parameters like velocity and acceleration will be calculated to reach a position in a dedicated time. If the target trapezoidal ramp cannot be maintained due to high load peaks the TMCM-3351 includes a special position catch-up mode to ensure that the position will still be reached in time if possible.

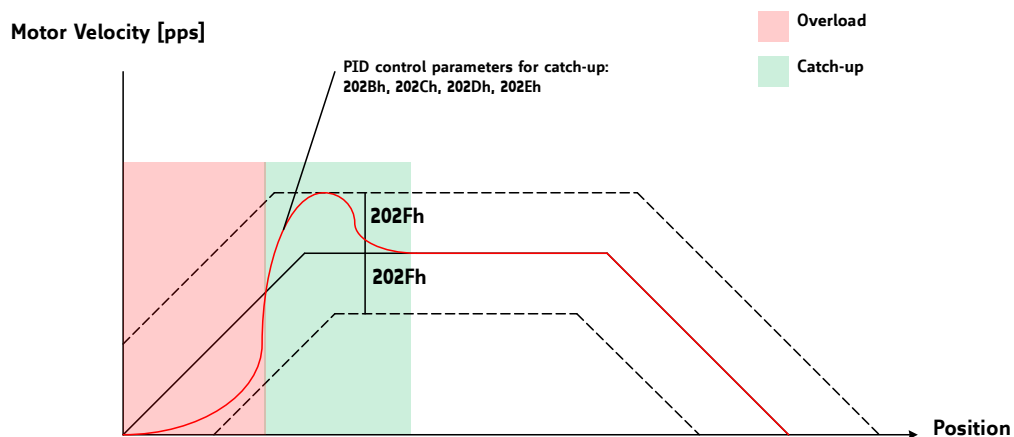


Figure 7: Position Catch up



## 2 Communication

### 2.1 Reference Model

The application layer comprises a concept to configure and communicate real-time-data as well as the mechanisms for synchronization between devices. The functionality which the application layer offers to an application is logically divided over different service data objects (SDO) in the application layer. A service object offers a specific functionality and all the related services.

Applications interact by invoking services of a service object in the application layer. To realize these services this object exchanges data via the CAN Network with peer service object(s) using a protocol.

The application and the application layer interact with service primitives.

Service Primitives	
Primitive	Definition
Request	Issued by the application to the application layer to request a service.
Indication	Issued by the application layer to the application to report an internal event detected by the application layer or indicate that a service is requested.
Response	Issued by the application to the application layer to respond to a previous received indication.
Confirmation	Issued by the application layer to the application to report the result of a previously issued request.

*Table 3: Service Primitives*

A service type defines the primitives that are exchanged between the application layer and the cooperating applications for a particular service of a service object. Unconfirmed and confirmed services are collectively called remote services.





Service Types	
Type	Definition
Local service	Involves only the local service object. The application issues a request to its local service object that executes the requested service without communicating with peer service object(s).
Unconfirmed service	Involves one or more peer service objects. The application issues a request to its local service object. This request is transferred to the peer service object(s) that each passes it to their application as an indication. The result is not confirmed back.
Confirmed service	Can involve only one peer service object. The application issues a request to its local service object. This request is transferred to the peer service object that passes it to the other application as an indication. The other application issues a response that is transferred to the originating service object that passes it as a confirmation to the requesting application.
Provider initiated service	Involves only the local service object. The service object (being the service provider) detects an event not solicited by a requested service. This event is then indicated to the application.

*Table 4: Service Types*



## 2.2 NMT State Machine

The finite state machine (FSM) or simply state machine is a model of behavior composed of a finite number of states, transitions between those states, and actions. It shows which way the logic runs when certain conditions are met.

Starting and resetting the device is controlled via the state machine. The NMT state machine consists of the states shown in figure 8.

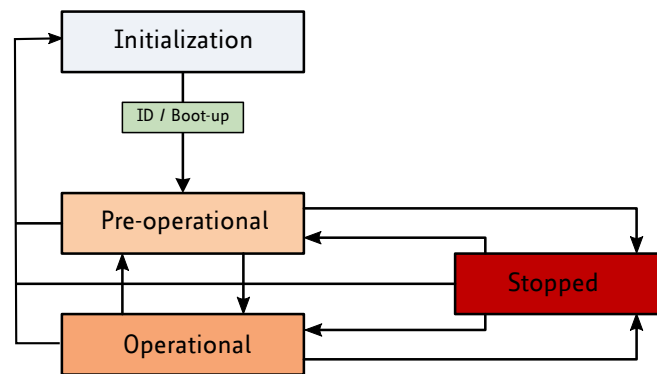


Figure 8: NMT State Machine

After power-on or reset the device enters the Initialization state. After the device initialization is finished, the device automatically transits to the **Pre-operational** state and indicates this state transition by sending the boot-up message. This way the device indicates that it is ready to work. A device that stays in Pre-operational state may start to transmit SYNC-, time stamp- or heartbeat message. In contrast to the PDO communication that is disabled in this state, the device can communicate via SDO.

The PDO communication is only possible within the **Operational** state. During Operational state the device can use all supported communication objects.

A device that was switched to the **Stopped** state only reacts on received NMT commands. In addition the device indicates the current NMT state by supporting the error control protocol during Stopped state.

The transitions between states are made by issuing a network management (NMT) communication object to the device. The NMT protocols are used to generate state machine change commands (e.g. to start and stop the device), detect remote device boot-ups and error conditions.

The Heartbeat message of a CANopen device contains the device status of the NMT state machine and is sent cyclically by the CANopen device.

The NMT state machine (or DS301 state machine) is not to be confused with the DS402 state machine. There is only one NMT state machine for the entire device, but for each motor there is a DS402 state machine which controls the motor. There are no links between these state machines, with one exception: When the NMT state machine is being switched to the stopped state, all DS402 state machines that are in OPERATION\_ENABLED state will be switch to FAULT state.



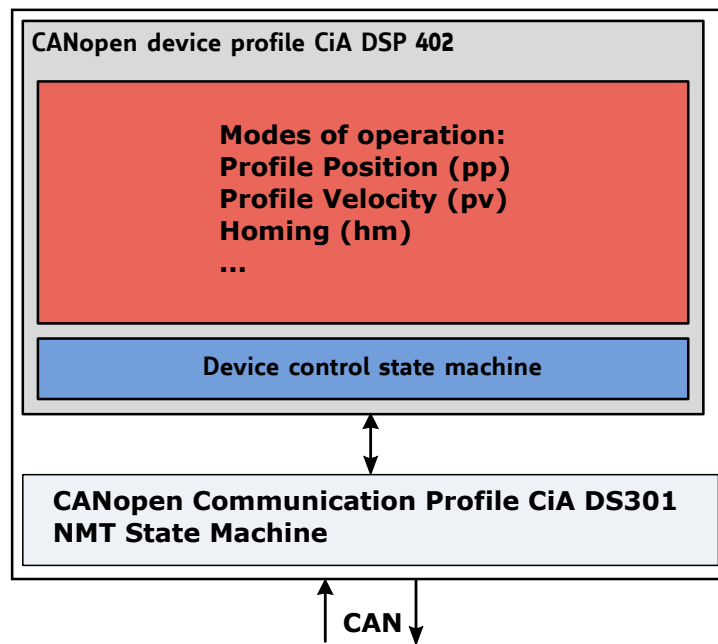


Figure 9: Communication Architecture

## 2.3 Device Model

A CANopen device mainly consists of the following parts:

- *Communication:* This function unit provides the communication objects and the appropriate functionality to transport data items via the underlying network structure.
- *Object dictionary:* The object dictionary is a collection of all the data items which have an influence on the behavior of the application objects, the communication objects and the state machine used on this device.
- *Application:* The application comprises the functionality of the device with respect to the interaction with the process environment.



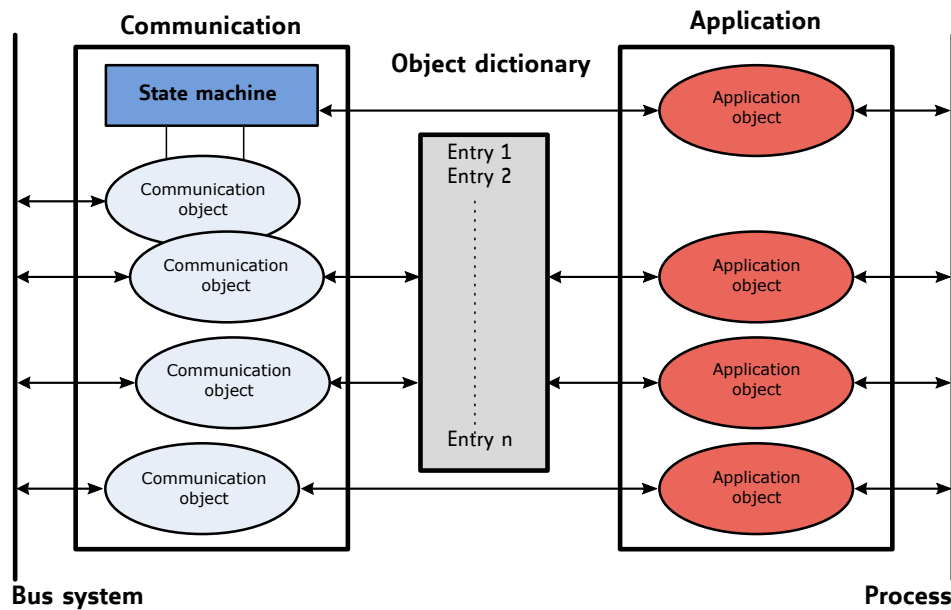


Figure 10: Device Model

## 2.4 Object Dictionary

The most important part of a device profile is the object dictionary description. The object dictionary is essentially a grouping of objects accessible via the network in an ordered pre-defined fashion. Each object within the dictionary is addressed using a 16-bit index. The overall layout of the standard object dictionary is shown in table 5:

Object Dictionary	
Index	Object
0000 <sub>h</sub>	Not used.
0001 <sub>h</sub> – 001F <sub>h</sub>	Static data types.
0020 <sub>h</sub> – 003F <sub>h</sub>	Complex data types.
0040 <sub>h</sub> – 005F <sub>h</sub>	Manufacturer specific complex data types.
0060 <sub>h</sub> – 007F <sub>h</sub>	Device profile specific static data types.
0080 <sub>h</sub> – 009F <sub>h</sub>	Device profile specific complex data types.
00A0 <sub>h</sub> – 0FFF <sub>h</sub>	Reserved for further use.
1000 <sub>h</sub> – 1FFF <sub>h</sub>	Communication profile area.
2000 <sub>h</sub> – 5FFF <sub>h</sub>	Manufacturer specific profile area.
6000 <sub>h</sub> – 9FFF <sub>h</sub>	Standardized device profile area.
A000 <sub>h</sub> – BFFF <sub>h</sub>	Standardized interface profile area.
C000 <sub>h</sub> – FFFF <sub>h</sub>	Reserved for further use.

Table 5: Object Dictionary



The communication profile area at indices 1000<sub>h</sub> through 1FFF<sub>h</sub> contains the communication specific parameters for the CAN network. These entries are common to all devices.

The manufacturer segment at indices 2000<sub>h</sub> through 5FFF<sub>h</sub> contains manufacturer specific objects. These objects control the special features of the Trinamic TMCM-3351 motion control device.

The standardized device profile area at indices 6000<sub>h</sub> through 9FFF<sub>h</sub> contains all data objects common to a class of devices that can be read or written via the network. They describe the device parameters and the device functionality of the device profile.

### 2.4.1 Object Indices on Multi-Axis Modules

On a multi-axis module like the TMCM-3351 each object in the manufacturer area and each object in the profile specific area is available for each motor. In this manual, only the object indices for motor #0 are shown. The objects for the other motors can be accessed by adding offsets to the object indices:

- Add an offset of  $motor\_number \cdot 200_h$  to the index of a manufacturer specific object to get its index for other motors.
- Add an offset of  $motor\_number \cdot 800_h$  to the index of a profile specific object to get its index for other motors.

For example, the control word for motor #1 would be 6840<sub>h</sub> (instead of 6040<sub>h</sub> for motor #0), and the microstep resolution of motor #1 would be 2200<sub>h</sub> for motor #1 (instead of 2000<sub>h</sub> for motor #0).

Multi-Axis Object Indices		
Motor	Manufacturer area	Profile area
Motor #0	2000 <sub>h</sub> – 21FF <sub>h</sub>	6000 <sub>h</sub> – 67FF <sub>h</sub>
Motor #1	2200 <sub>h</sub> – 23FF <sub>h</sub>	6800 <sub>h</sub> – 6FFF <sub>h</sub>
Motor #2	2400 <sub>h</sub> – 25FF <sub>h</sub>	7000 <sub>h</sub> – 77FF <sub>h</sub>

Table 6: Multi-Axis Object Indices



## 3 Communication Area

The communication area contains all objects that define the communication parameters of the CANopen device according to the DS301 standard.

### 3.1 Detailed Object Specifications

#### 3.1.1 Object 1000<sub>h</sub>: Device Type

This object contains information about the device type. The object 1000<sub>h</sub> describes the type of device and its functionality. It is composed of a 16-bit field which describes the device profile that is used and a second 16-bit field which provides additional information about optional functionality of the device.

Object Description			
Index	Name	Object Type	Data Type
1000 <sub>h</sub>	Device type	Variable	UNSIGNED32

Table 7: Object Description (1000<sub>h</sub>)

Entry Description				
Sub-index	Access	PDO Mapping	Value Range	Default Value
0	ro	no	UNSIGNED32	FFFC0192 <sub>h</sub>

Table 8: Entry Description (1000<sub>h</sub>)

#### 3.1.2 Object 1001<sub>h</sub>: Error Register

This object contains error information. The CANopen device maps internal errors into object 1001<sub>h</sub>. It is part of an emergency object.

Object Description			
Index	Name	Object Type	Data Type
1001 <sub>h</sub>	Error register	Variable	UNSIGNED8

Table 9: Object Description (1001<sub>h</sub>)

Entry Description				
Sub-index	Access	PDO Mapping	Value Range	Default Value
0	ro	no	UNSIGNED8	0

Table 10: Entry Description (1001<sub>h</sub>)



Error Register Bits	
Bit	Definition
0	Generic error
1	Current
2	Voltage
3	Temperature
4	Communication error
5	Device profile specific
6	Reserved (always 0)
7	Manufacturer specific

Table 11: Error Register Bits

### 3.1.3 Object 1005<sub>h</sub>: COB-ID SYNC Message

This object defines the COB-ID of the synchronization object (SYNC). Further, it defines whether the module generates the SYNC.

Value Definition		
Bit	Name	Definition
30	Generate	0: Device does not generate SYNC message 1: Device generates SYNC message
29	Frame	Not supported, always set to 0.
28... 11	29 bit ID	Not supported, always set to 0.
10... 0	11 bit ID	11 bit COB-ID.

Table 12: Value Definition (1005<sub>h</sub>)

Object Description			
Index	Name	Object Type	Data Type
1005 <sub>h</sub>	COB-ID SYNC message	Variable	UNSIGNED32

Table 13: Object Description (1005<sub>h</sub>)

Entry Description				
Sub-index	Access	PDO Mapping	Value Range	Default Value
0	rw	no	UNSIGNED32	80 <sub>h</sub>

Table 14: Entry Description (1005<sub>h</sub>)



### 3.1.4 Object 1008<sub>h</sub>: Manufacturer Device Name

This object contains the name of the device as given by the manufacturer.

Object Description			
Index	Name	Object Type	Data Type
1008 <sub>h</sub>	Manufacturer Device Name	Variable	Visible String

Table 15: Object Description (1008<sub>h</sub>)

Entry Description				
Sub-index	Access	PDO Mapping	Value Range	Default Value
0	ro	no	—	TMCM-3351

Table 16: Entry Description (1008<sub>h</sub>)

### 3.1.5 Object 1009<sub>h</sub>: Manufacturer Hardware Version

This object contains the hardware version description.

Object Description			
Index	Name	Object Type	Data Type
1009 <sub>h</sub>	Manufacturer Hardware Version	Variable	Visible String

Table 17: Object Description (1009<sub>h</sub>)

Entry Description				
Sub-index	Access	PDO Mapping	Value Range	Default Value
0	ro	no	—	Depends on device, e.g. 1.0.

Table 18: Entry Description (1009<sub>h</sub>)

### 3.1.6 Object 100A<sub>h</sub>: Manufacturer Software Version

This object contains the software version description.

Object Description			
Index	Name	Object Type	Data Type
100A <sub>h</sub>	Manufacturer Software Version	Variable	Visible String

Table 19: Object Description (100A<sub>h</sub>)



Entry Description				
Sub-index	Access	PDO Mapping	Value Range	Default Value
0	ro	no	—	Depends on device, e.g. 1.0.

Table 20: Entry Description (100A<sub>h</sub>)

### 3.1.7 Object 100C<sub>h</sub>: Guard Time

The objects at index 100C<sub>h</sub> and 100D<sub>h</sub> shall indicate the configured guard time respectively the life time factor. The life time factor multiplied with the guard time gives the life time for the life guarding protocol.

Object Description			
Index	Name	Object Type	Data Type
100C <sub>h</sub>	Guard Time	Variable	UNSIGNED16

Table 21: Object Description (100C<sub>h</sub>)

Entry Description				
Sub-index	Access	PDO Mapping	Value Range	Default Value
0	rw	no	UNSIGNED16	0

Table 22: Entry Description (100C<sub>h</sub>)

### 3.1.8 Object 100D<sub>h</sub>: Life Time Factor

The life time factor multiplied with the guard time gives the life time for the life guarding protocol.

Object Description			
Index	Name	Object Type	Data Type
100D <sub>h</sub>	Life Time Factor	Variable	UNSIGNED8

Table 23: Object Description (100D<sub>h</sub>)

Entry Description				
Sub-index	Access	PDO Mapping	Value Range	Default Value
0	rw	no	UNSIGNED8	0

Table 24: Entry Description (100D<sub>h</sub>)

### 3.1.9 Object 1010<sub>h</sub>: Store Parameters

This object supports the saving of parameters in non volatile memory. By read access the device provides information about its saving capabilities.



There are several parameter groups:

- Sub-index 0<sub>h</sub>: contains the largest sub-index that is supported.
- Sub-index 1<sub>h</sub>: saves all parameters.
- Sub-index 2<sub>h</sub>: saves communication parameters 2704<sub>h</sub> and 2705<sub>h</sub>.
- Sub-index 3<sub>h</sub>: saves device profile parameters.
- Sub-index 4<sub>h</sub>: saves motor 0 parameters.
- Sub-index 5<sub>h</sub>: saves motor 1 parameters.
- Sub-index 6<sub>h</sub>: saves motor 2 parameters.

---

**Note** In order to avoid storage of parameters by mistake, storage is only executed when a specific signature is written to the appropriate sub-Index. This signature is "save" (65766173<sub>h</sub>, see also table 25).

---

Save Signature			
e	v	a	s
65 <sub>h</sub>	76 <sub>h</sub>	61 <sub>h</sub>	73 <sub>h</sub>

Table 25: Save Signature

On reception of the correct signature in the appropriate sub-index the device stores the parameter and then confirms the SDO transmission (initiate download response). If the storing failed, the device responds with an abort SDO transfer (abort code: 06060000<sub>h</sub>). If a wrong signature is written, the device refuses to store and responds with abort SDO transfer (abort code: 0800002x<sub>h</sub>).

On read access, each sub-index provides information if it is possible to store the parameter group. It reads 1 if yes and 0 if no.

Object Description			
Index	Name	Object Type	Data Type
1010 <sub>h</sub>	Store Parameters	Array	UNSIGNED32

Table 26: Object Description (1010<sub>h</sub>)



Entry Description					
Sub-index	Description	Access	PDO Mapping	Value Range	Default Value
01h	Save all parameters	rw	no	UNSIGNED32	—
02h	Save communication parameters	rw	no	UNSIGNED32	—
03h	Save device profile parameters	rw	no	UNSIGNED32	—
04h	Save motor axis 0 parameters	rw	no	UNSIGNED32	—
04h	Save motor axis 1 parameters	rw	no	UNSIGNED32	—
04h	Save motor axis 2 parameters	rw	no	UNSIGNED32	—

Table 27: Entry Description (1010<sub>h</sub>)

### 3.1.10 Object 1011<sub>h</sub>: Restore Parameters

With this object the default values of parameters according to the communication or device profile are restored. By read access the device provides information about its capabilities to restore these values.

There are several parameter groups:

- Sub-index 0<sub>h</sub>: contains the largest sub-index that is supported.
- Sub-index 1<sub>h</sub>: restores all parameters (factory reset).
- Sub-index 2<sub>h</sub>: restores communication parameters 2704<sub>h</sub> and 2705<sub>h</sub>.
- Sub-index 3<sub>h</sub>: restores device profile parameters.
- Sub-index 4<sub>h</sub>: restores motor 0 parameters.
- Sub-index 5<sub>h</sub>: restores motor 1 parameters.
- Sub-index 6<sub>h</sub>: restores motor 2 parameters.

---

**Note** In order to avoid restoring the parameters by mistake, restoring is only executed when a specific signature is written to the appropriate sub-Index. This signature is "load" (64616F6C<sub>h</sub>, see also table 28).

---

Load Signature			
d	a	o	l
64 <sub>h</sub>	61 <sub>h</sub>	6F <sub>h</sub>	6C <sub>h</sub>

Table 28: Load Signature

On reception of the correct signature in the appropriate sub-index the device restores the parameter and then confirms the SDO transmission (initiate download response). If the restoring failed, the device responds with an abort SDO transfer (abort code: 06060000<sub>h</sub>). If a wrong signature is written, the device refuses to restore and responds with abort SDO transfer (abort code: 0800002x<sub>h</sub>).



On read access, each sub-index provides information if it is possible to restore the parameter group. It reads 1 if yes and 0 if no.

After the default values have been restored they will become active after the next rest or power cycle of the TMCM-3351.

Object Description			
Index	Name	Object Type	Data Type
1011 <sub>h</sub>	Restore parameters	Array	UNSIGNED32

Table 29: Object Description (1011<sub>h</sub>)

Entry Description					
Sub-index	Description	Access	PDO Mapping	Value Range	Default Value
01h	Restore all parameters	rw	no	UNSIGNED32	—
02h	Restore communication parameters	rw	no	UNSIGNED32	—
03h	Restore device profile parameters	rw	no	UNSIGNED32	—
04h	Restore motor axis 0 parameters	rw	no	UNSIGNED32	—
04h	Restore motor axis 1 parameters	rw	no	UNSIGNED32	—
04h	Restore motor axis 2 parameters	rw	no	UNSIGNED32	—

Table 30: Entry Description (1011<sub>h</sub>)

### 3.1.11 Object 1014<sub>h</sub>: COB-ID Emergency Object

This object defines the COB-ID of the emergency object (EMCY).

Object Description			
Index	Name	Object Type	Data Type
1014 <sub>h</sub>	COB-ID emergency object	Variable	UNSIGNED32

Table 31: Object Description (1014<sub>h</sub>)

Entry Description				
Sub-index	Access	PDO Mapping	Value Range	Default Value
0	rw	no	UNSIGNED32	80 <sub>h</sub> + Node ID

Table 32: Entry Description (1014<sub>h</sub>)

### 3.1.12 Object 1015<sub>h</sub>: Inhibit Time EMCY

The inhibit time for the EMCY message can be adjusted via this entry. The time has to be a multiple of 100µs.



Object Description			
Index	Name	Object Type	Data Type
1015 <sub>h</sub>	COB-ID emergency object	Variable	UNSIGNED16

Table 33: Object Description (1015<sub>h</sub>)

Entry Description				
Sub-index	Access	PDO Mapping	Value Range	Default Value
0	rw	no	UNSIGNED16	0

Table 34: Entry Description (1015<sub>h</sub>)

### 3.1.13 Object 1016<sub>h</sub>: Consumer Heartbeat Time

The consumer heartbeat time defines the expected heartbeat cycle time and thus has to be higher than the corresponding producer heartbeat time configured on the module producing this heartbeat. The monitoring starts after the reception of the first heartbeat. If the consumer heartbeat time is 0 the corresponding entry is not used. The time has to be a multiple of 1ms.

Value Definition		
Bits	Name	Definition
31...24	Reserved	—
23...16	Node ID	Heartbeat Producer Node ID
15...0	Heartbeat time	Time in 1ms

Table 35: Value Definition (1016<sub>h</sub>)

Object Description			
Index	Name	Object Type	Data Type
1016 <sub>h</sub>	Consumer heartbeat time	Variable	UNSIGNED16

Table 36: Object Description (1016<sub>h</sub>)

Entry Description				
Sub-index	Access	PDO Mapping	Value Range	Default Value
0	rw	no	UNSIGNED16	0

Table 37: Entry Description (1016<sub>h</sub>)

### 3.1.14 Object 1017<sub>h</sub>: Producer Heartbeat Time

The producer heartbeat time defines the cycle time of the heartbeat. The producer heartbeat time is 0 if it is not used. The time has to be a multiple of 1ms.

Object Description			
Index	Name	Object Type	Data Type
1017 <sub>h</sub>	Producer heartbeat time	Variable	UNSIGNED16

Table 38: Object Description (1017<sub>h</sub>)

Entry Description				
Sub-index	Access	PDO Mapping	Value Range	Default Value
0	rw	no	UNSIGNED16	0

Table 39: Entry Description (1017<sub>h</sub>)

### 3.1.15 Object 1018<sub>h</sub>: Identity Object

The object 1018<sub>h</sub> contains general information about the device:

- The vendor ID (sub-index 01<sub>h</sub>) contains a unique value allocated to each manufacturer. The vendor ID of Trinamic is 286<sub>h</sub>.
- The manufacturer specific product code (sub-index 2<sub>h</sub>) identifies a specific device version.
- The manufacturer specific revision number (sub-index 3<sub>h</sub>) consists of a major revision number and a minor revision number.

Object Description			
Index	Name	Object Type	Data Type
1018 <sub>h</sub>	Identity object	Record	Identity

Table 40: Object Description (1018<sub>h</sub>)

Entry Description					
Sub-index	Description	Access	PDO Mapping	Value Range	Default Value
00 <sub>h</sub>	Number of entries	ro	no	0...3	3
01 <sub>h</sub>	Vendor ID	ro	no	UNSIGNED32	0286 <sub>h</sub>
02 <sub>h</sub>	Product code	ro	no	UNSIGNED32	3351
03 <sub>h</sub>	Revision number	ro	no	UNSIGNED32	e.g. 20003 <sub>h</sub> for version 2.3

Table 41: Entry Description (1018<sub>h</sub>)





### 3.1.16 Object 1023<sub>h</sub>: OS Command

After switching to TMCL command mode using object 2700<sub>h</sub>, this object can be used to send TMCL commands to the TMCM-3351 module. A TMCL command can be written to sub-index 1. After the command has been executed, the status code and the TMCL reply can be read from sub-index 2 and sub-index 3.

Object Description			
Index	Name	Object Type	Data Type
1023 <sub>h</sub>	OS Command	Record	Command

Table 42: Object Description (1023<sub>h</sub>)

Entry Description					
Sub-index	Description	Access	PDO Mapping	Value Range	Default Value
00 <sub>h</sub>	Number of entries	ro	no	—	3
01 <sub>h</sub>	TMCL command	rw	no	Octet string (7 bytes)	—
02 <sub>h</sub>	Reply	ro	no	UNSIGNED8	—
03 <sub>h</sub>	TMCL reply	ro	no	Octet string (7 bytes)	—

Table 43: Entry Description (1023<sub>h</sub>)

### 3.1.17 Object 1029<sub>h</sub>: Error Behaviour

If a device failure is detected in operational state, the device can be configured to enter alternatively the stopped state or remain in the current state in case of a device failure. Device failures include the following errors:

- Communication error
- Application error

Object Description			
Index	Name	Object Type	Data Type
1029 <sub>h</sub>	Error behaviour	Array	UNSIGNED8

Table 44: Object Description (1029<sub>h</sub>)

Entry Description					
Sub-index	Description	Access	PDO Mapping	Value Range	Default Value
00 <sub>h</sub>	Number of error classes	ro	no	—	2
01 <sub>h</sub>	Communication error	rw	no	UNSIGNED8	0 (enter stopped state)
02 <sub>h</sub>	Application error	rw	no	UNSIGNED8	1 (remain in current state)

Table 45: Entry Description (1029<sub>h</sub>)



### 3.1.18 Objects 1400<sub>h</sub> – 1403<sub>h</sub>: Receive PDO Communication Parameter

This object contains the communication parameters for the RPDOs which the device is able to receive. The sub-index 00<sub>h</sub> contains the number of valid entries within the communication record. Its value normally is 2, as this object consists of two other entries.

Sub-index 01<sub>h</sub> contains the COB-ID used by this PDO (in bits 10...0). Bit 30 (RTR bit) defines if this PDO uses RTRs. As RTRs are not supported for PDOs by this CANopen implementation, this bit must always be set in order to turn off RTR support for this PDO. Bit 31 defines if this PDO is active or not. If this bit is set, the PDO is inactive, and if this bit is clear, the PDO is active. Before making any changes to a PDO definition, set this bit to inactivate the PDO.

Sub-Index 02<sub>h</sub> contains the transmission type of the RPDO. This can be FF<sub>h</sub> or FE<sub>h</sub> for event-driven, or 00<sub>h</sub> for synchronous.

The RPDOs defined by objects 1400<sub>h</sub> – 1403<sub>h</sub> (RPDO 1...3) are normally used for motor #0. For the other motors, the following RPDOs are used:

- RPDO 65...68 (objects 1440<sub>h</sub> – 1443<sub>h</sub>) for motor #1.
- RPDO 129...132 (objects 1480<sub>h</sub> – 1483<sub>h</sub>) for motor #2.

Object Description			
Index	Name	Object Type	Data Type
1400 <sub>h</sub> – 1403 <sub>h</sub>	Receive PDO parameter	RECORD	RPDO CommPar
1400 <sub>h</sub>	RPDO 1	RECORD	RPDO CommPar
1401 <sub>h</sub>	RPDO 2	RECORD	RPDO CommPar
1402 <sub>h</sub>	RPDO 3	RECORD	RPDO CommPar
1403 <sub>h</sub>	RPDO 4	RECORD	RPDO CommPar

Table 46: Object Description (1400<sub>h</sub>)

Entry Description				
Sub-index	Description	Access	Value Range	Default Value
00 <sub>h</sub>	Largest sub-index supported	ro	2	2
01 <sub>h</sub>	COB-ID used by PDO	rw	UNSIGNED32	Index 1400 <sub>h</sub> : 200 <sub>h</sub> + Node-ID Index 1401 <sub>h</sub> : 300 <sub>h</sub> + Node-ID Index 1402 <sub>h</sub> : 400 <sub>h</sub> + Node-ID Index 1403 <sub>h</sub> : 500 <sub>h</sub> + Node-ID
02 <sub>h</sub>	Transmission type	rw	UNSIGNED8	Index 1400 <sub>h</sub> : FF <sub>h</sub> Index 1401 <sub>h</sub> : FF <sub>h</sub> Index 1402 <sub>h</sub> : FF <sub>h</sub> Index 1403 <sub>h</sub> : FE <sub>h</sub>

Table 47: Entry Description (1400<sub>h</sub>)



### 3.1.19 Objects 1600<sub>h</sub> – 1603<sub>h</sub>: Receive PDO Mapping Parameter

These objects contain the mapping parameters for the RPDOs the device is able to receive. The sub-index 00<sub>h</sub> contains the number of valid entries within the mapping record. This number of entries is also the number of the application variables which shall be received with the corresponding RPDO. The sub-indices from 01<sub>h</sub> to the number of entries contain the information about the mapped application variables. These entries describe the PDO contents by their index, sub-index and length.

The RPDOs defined by objects 1600<sub>h</sub> – 1603<sub>h</sub> (RPDO 1...3) are normally used for motor #0. For the other motors, the following RPDOs are used:

- RPDO 65...68 (objects 1640<sub>h</sub> – 1643<sub>h</sub>) for motor #1.
- RPDO 129...132 (objects 1680<sub>h</sub> – 1683<sub>h</sub>) for motor #2.

Object Description			
Index	Name	Object Type	Data Type
1600 <sub>h</sub> – 1603 <sub>h</sub>	Receive PDO mapping parameter	RECORD	PDO Mapping
1600 <sub>h</sub>	RPDO 1	RECORD	PDO Mapping
1601 <sub>h</sub>	RPDO 2	RECORD	PDO Mapping
1602 <sub>h</sub>	RPDO 3	RECORD	PDO Mapping
1603 <sub>h</sub>	RPDO 4	RECORD	PDO Mapping

Table 48: Object Description (1600<sub>h</sub>)

Entry Description				
Sub-index	Description	Access	Value Range	Default Value
00 <sub>h</sub>	Number of mapped application objects in PDO	rw	0...3	Index 1600 <sub>h</sub> : 1 Index 1601 <sub>h</sub> : 2 Index 1602 <sub>h</sub> : 2 Index 1603 <sub>h</sub> : 2
01 <sub>h</sub>	Mapping entry 1	rw	UNSIGNED32	Index 1600 <sub>h</sub> : 60400010 <sub>h</sub> Index 1601 <sub>h</sub> : 60400010 <sub>h</sub> Index 1602 <sub>h</sub> : 60400010 <sub>h</sub> Index 1603 <sub>h</sub> : 60400010 <sub>h</sub>
02 <sub>h</sub>	Mapping entry 2	rw	UNSIGNED32	Index 1600 <sub>h</sub> : 0 Index 1601 <sub>h</sub> : 60600008 <sub>h</sub> Index 1602 <sub>h</sub> : 607A0020 <sub>h</sub> Index 1603 <sub>h</sub> : 60FF0020 <sub>h</sub>
03 <sub>h</sub>	Mapping entry 3	rw	UNSIGNED32	Index 1600 <sub>h</sub> : 0 <sub>h</sub> Index 1601 <sub>h</sub> : 0 <sub>h</sub> Index 1602 <sub>h</sub> : 0 <sub>h</sub> Index 1603 <sub>h</sub> : 0 <sub>h</sub>

Table 49: Entry Description (1600<sub>h</sub>)



Before making changes to PDO definitions, first mark the PDO as inactive by setting bit 31 of its COB-ID (see section 3.1.18). Then, set its number of mapped PDO entries to zero (sub-index 0 of the appropriate PDO mapping object). Now, the mappings themselves can be changed. After that, set the number of map objects to the desired value, and finally activate the PDO by clearing bit 31 of its COB-ID.

### 3.1.20 Objects 1800<sub>h</sub> – 1803<sub>h</sub>: Transmit PDO Communication Parameter

This object contains the communication parameters for the TPDOs which the device is able to transmit. The sub-index 00<sub>h</sub> contains the number of valid entries within the communication record. Its value normally is 5, as this object consists of five other entries.

Sub-index 01<sub>h</sub> contains the COB-ID used by this PDO (in bits 10...0). Bit 30 (RTR bit) defines if this PDO uses RTRs. As RTRs are not supported for PDOs by this CANopen implementation, this bit must always be set in order to turn off RTR support for this PDO. Bit 31 defines if this PDO is active or not. If this bit is set, the PDO is inactive, and if this bit is clear, the PDO is active. Before making any changes to a PDO definition, set this bit to inactivate the PDO.

Sub-index 02<sub>h</sub> contains the transmission type of the RPDO. This can be FF<sub>h</sub> or FE<sub>h</sub> for event-driven, or 00<sub>h</sub> or 01<sub>h</sub> for synchronous.

Sub-index 03<sub>h</sub> contains the inhibit time, given in milliseconds. After a TPDO has been sent, it will not be sent again before the inhibit time has elapsed.

Sub-index 04<sub>h</sub> is not used.

Sub-index 05<sub>h</sub> contains the event timer value in milliseconds. When this is set to a value greater than 0 the TPDO will be sent repeatedly each time the event timer has elapsed. For example, when this value is set to 250, the TPDO will be sent every 250ms.

The TPDOs defined by objects 1800<sub>h</sub> – 1803<sub>h</sub> (TPDO 1...3) are normally used for motor #0. For the other motors, the following TPDOs are used:

- TPDO 65...68 (objects 1840<sub>h</sub> – 1843<sub>h</sub>) for motor #1.
- TPDO 129...132 (objects 1880<sub>h</sub> – 1883<sub>h</sub>) for motor #2.

Object Description			
Index	Name	Object Type	Data Type
1800 <sub>h</sub> – 1803 <sub>h</sub>	Transmit PDO communication parameter	RECORD	TPDO CommPar
1800 <sub>h</sub>	TPDO 1	RECORD	TPDO CommPar
1801 <sub>h</sub>	TPDO 2	RECORD	TPDO CommPar
1802 <sub>h</sub>	TPDO 3	RECORD	TPDO CommPar
1803 <sub>h</sub>	TPDO 4	RECORD	TPDO CommPar

Table 50: Object Description (1800<sub>h</sub>)



Entry Description				
Sub-index	Description	Access	Value Range	Default Value
00 <sub>h</sub>	Largest sub-index supported	ro	5	5
01 <sub>h</sub>	COB-ID	rw	UNSIGNED32	Index 1800 <sub>h</sub> : 180 <sub>h</sub> + Node-ID Index 1801 <sub>h</sub> : 280 <sub>h</sub> + Node-ID Index 1802 <sub>h</sub> : 380 <sub>h</sub> + Node-ID Index 1803 <sub>h</sub> : 480 <sub>h</sub> + Node-ID
02 <sub>h</sub>	Transmission type	rw	UNSIGNED8	Index 1800 <sub>h</sub> : FF <sub>h</sub> Index 1801 <sub>h</sub> : FF <sub>h</sub> Index 1802 <sub>h</sub> : 01 <sub>h</sub> Index 1803 <sub>h</sub> : 01 <sub>h</sub>
03 <sub>h</sub>	Inhibit time	rw	UNSIGNED16	0
04 <sub>h</sub>	Compatibility entry	ro	UNSIGNED8	0
05 <sub>h</sub>	Event timer	rw	UNSIGNED16	0

Table 51: Entry Description (1800<sub>h</sub>)

### 3.1.21 Objects 1A00<sub>h</sub> – 1A03<sub>h</sub>: Transmit PDO Mapping Parameter

These objects contain the mapping parameters for the TPDOs the device is able to transmit. The sub-index 00<sub>h</sub> contains the number of valid entries within the mapping record. This number of entries is also the number of the application variables which shall be transmitted with the corresponding TPDO. The sub-indices from 01<sub>h</sub> to the number of entries contain the information about the mapped application variables. These entries describe the PDO contents by their index, sub-index and length.

The TPDOs defined by objects 1A00<sub>h</sub> – 1A03<sub>h</sub> (TPDO 1...3) are normally used for motor #0. For the other motors, the following TPDOs are used:

- TPDO 65...68 (objects 1A40<sub>h</sub> – 1A43<sub>h</sub>) for motor #1.
- TPDO 129...132 (objects 1A80<sub>h</sub> – 1A83<sub>h</sub>) for motor #2.

Object Description			
Index	Name	Object Type	Data Type
1A00 <sub>h</sub> – 1A03 <sub>h</sub>	Transmit PDO mapping parameter	RECORD	PDO Mapping
1A00 <sub>h</sub>	TPDO 1	RECORD	PDO Mapping
1A01 <sub>h</sub>	TPDO 2	RECORD	PDO Mapping
1A02 <sub>h</sub>	TPDO 3	RECORD	PDO Mapping
1A03 <sub>h</sub>	TPDO 4	RECORD	PDO Mapping

Table 52: Object Description (1A00<sub>h</sub>)

Entry Description				
Sub-index	Description	Access	Value Range	Default Value
00 <sub>h</sub>	Number of mapped application objects in PDO	rw	0...3	Index 1A00 <sub>h</sub> : 1 Index 1A01 <sub>h</sub> : 2 Index 1A02 <sub>h</sub> : 2 Index 1A03 <sub>h</sub> : 2
01 <sub>h</sub>	Mapping entry 1	rw	UNSIGNED32	Index 1A00 <sub>h</sub> : 60410010 <sub>h</sub> Index 1A01 <sub>h</sub> : 60410010 <sub>h</sub> Index 1A02 <sub>h</sub> : 60410010 <sub>h</sub> Index 1A03 <sub>h</sub> : 60410010 <sub>h</sub>
02 <sub>h</sub>	Mapping entry 2	rw	UNSIGNED32	Index 1A00 <sub>h</sub> : 0 Index 1A01 <sub>h</sub> : 60610008 <sub>h</sub> Index 1A02 <sub>h</sub> : 60640020 <sub>h</sub> Index 1A03 <sub>h</sub> : 606C0020 <sub>h</sub>
03 <sub>h</sub>	Mapping entry 3	rw	UNSIGNED32	Index 1A00 <sub>h</sub> : 0 <sub>h</sub> Index 1A01 <sub>h</sub> : 0 <sub>h</sub> Index 1A02 <sub>h</sub> : 0 <sub>h</sub> Index 1A03 <sub>h</sub> : 0 <sub>h</sub>

Table 53: Entry Description (1A00<sub>h</sub>)

Before making changes to PDO definitions, first mark the PDO as inactive by setting bit 31 of its COB-ID (see section 3.1.20). Then, set its number of mapped PDO entries to zero (sub-index 0 of the appropriate PDO mapping object). Now, the mappings themselves can be changed. After that, set the number of mapped objects to the desired value, and finally activate the PDO by clearing bit 31 of its COB-ID.



## 4 Manufacturer specific Area

The manufacturer segment contains manufacturer specific objects. These objects control the special features of the Trinamic Motion Control device TMC3351.

### **i** Info

This section of the manual only shows the object indices for motor #0. Of course the same objects are also available for the other motors. For the other motors, add an offset of  $motor\_number \cdot 200_h$  to the object index. So for example the microstep resolution (object  $2000_h$  for motor #0) can be accessed as object  $2200_h$  for motor #1 and as object  $2400_h$  for motor #2. Please see also section 2.4.1.

Multi-axis Object Indices	
Motor	Object Index Range
Motor #0	$2000_h - 21FF_h$
Motor #1	$2200_h - 23FF_h$
Motor #2	$2400_h - 25FF_h$

Table 54: Multi-axis Object Indices (Manufacturer specific Area)

### 4.1 Objects related to CoolStep™

Figure 11 shows an overview of the CoolStep™ related objects for motor #0. Please bear in mind that the figure only shows one example for a drive. There are objects which concern the configuration of the current. Other objects are for velocity regulation and for time adjustment. The CoolStep™ feature is sometimes also called SmartEnergy.

The following adjustments have to be made:

- Thresholds for current and velocity have to be identified and set.
- The StallGuard2™ feature has to be adjusted and enabled.
- The reduction or increasing of the current in the CoolStep™ area (depending on the load) has to be configured.



### coolStep™ adjustment points and thresholds

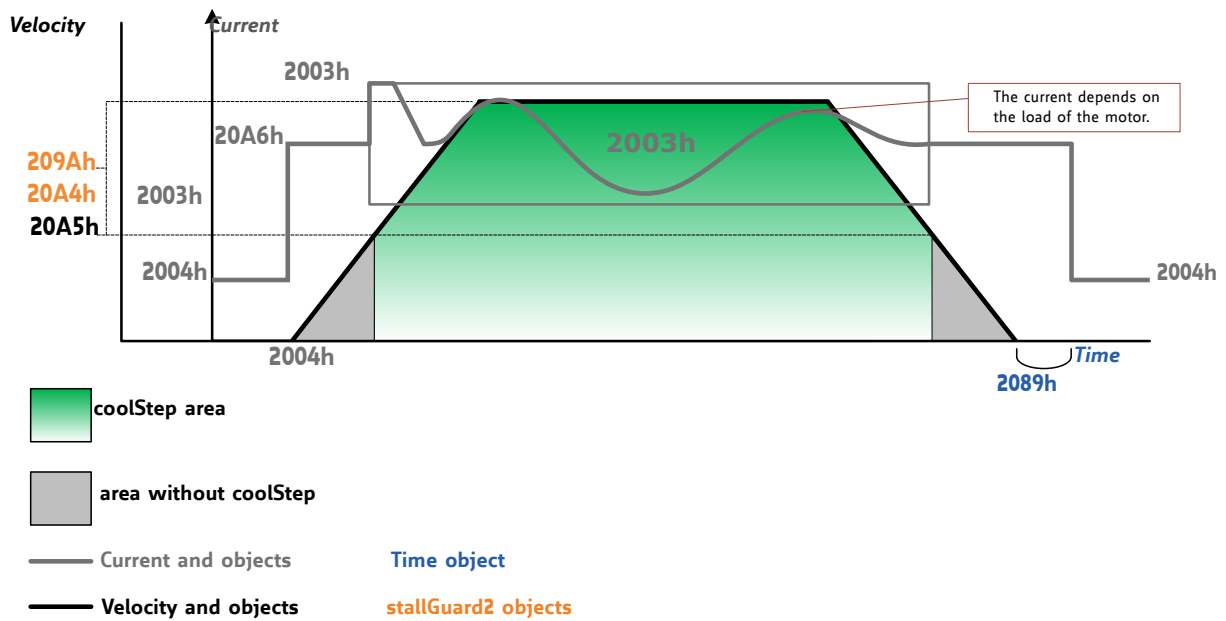


Figure 11: CoolStep Adjustment Points and Thresholds





CoolStep Adjustment Objects		
Object	Name	Description
2003 <sub>h</sub>	Absolute maximum current	The maximum value is 255. This value means 100% of the maximum current of the module. The current adjustment is within the range 0...255 and can be adjusted in 32 steps (0...255 divided by eight; step 0 = 0...7, step 1 = 8...15 and so on). The most important motor setting, since too high values might cause motor damage!
2004 <sub>h</sub>	Standby current	The current limit two seconds after the motor has stopped.
2098 <sub>h</sub>	SmartEnergy current minimum	Sets the lower motor current limit for CoolStep operation by scaling the run current (object 2003 <sub>h</sub> ) value. This can be: 0: for 1/2 of the run current 1: for 1/4 of the run current
2099 <sub>h</sub>	SmartEnergy current down step	Sets the speed of current decrement when the StallGuard2 reading is above the upper threshold. 0: slow decrement 3: fast decrement
209B <sub>h</sub>	SmartEnergy current up step	Sets the current increment step when the StallGuard2 below the lower threshold. 0: slow increment 3: fast increment / fast reaction to rising load
209A <sub>h</sub>	SmartEnergy hysteresis	Sets the distance between the lower and the upper threshold for StallGuard2 reading. Above the upper threshold the motor current becomes decreased.
20A4 <sub>h</sub>	Stop on stall	Below this speed the motor will not be stopped. Above this speed the motor will stop in case StallGuard2 load value reaches zero.
20A5 <sub>h</sub>	SmartEnergy threshold speed.	Above this speed CoolStep becomes enabled.
2089 <sub>h</sub>	Standby delay	Standstill period before the current is changed down to standby current. The standard value is 200 which is 2 seconds.

Table 55: CoolStep related Objects



## 4.2 Detailed Object Specifications

### 4.2.1 Object 2000<sub>h</sub>: Microstep Resolution

This object sets the microstep resolution of the drive. A value of 8 selects 256 ( $2^8$ ) microsteps per full step.

Object Description			
Index	Name	Object Type	Data Type
2000 <sub>h</sub>	Microstep Resolution	Variable	UNSIGNED8

Table 56: Object Description (2000<sub>h</sub>)

Entry Description				
Sub-index	Access	PDO Mapping	Value Range	Default Value
0	rw	no	0...8	8

Table 57: Entry Description (2000<sub>h</sub>)

### 4.2.2 Object 2001<sub>h</sub>: Fullstep Resolution

This object sets the fullstep resolution of the motor connected to the drive. Its default value is 200 because most motors are 1.8° motors.

Object Description			
Index	Name	Object Type	Data Type
2001 <sub>h</sub>	Motor full step resolution	Variable	UNSIGNED16

Table 58: Object Description (2001<sub>h</sub>)

Entry Description				
Sub-index	Access	PDO Mapping	Value Range	Default Value
0	rw	no	0...65535	200

Table 59: Entry Description (2001<sub>h</sub>)

### 4.2.3 Object 2002<sub>h</sub>: Brake Delay Times

With this object the delay times for applying and releasing an (optional) brake can be defined. Please see also object 200Ah for an additional delay between enabling the power stage and releasing the brake. Both times are given in ms.



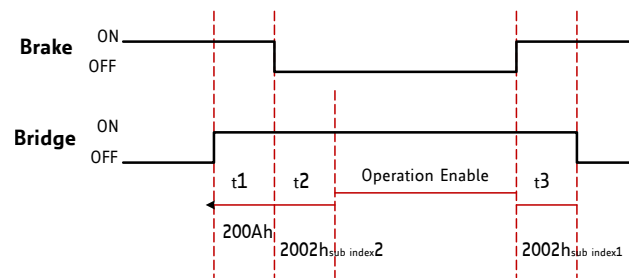


Figure 12: Brake Output Timing

Object Description			
Index	Name	Object Type	Data Type
2002 <sub>h</sub>	Brake delay times	Array	UNSIGNED16

Table 60: Object Description (2002<sub>h</sub>)

Entry Description					
Sub-index	Description	Access	PDO Mapping	Value Range	Default Value
1	Time between applying brake / disabling power stage	rw	no	0...65535	0
2	Time between releasing brake / switching the state machine to operational	rw	no	0..65535	0

Table 61: Entry Description (2002<sub>h</sub>)

#### 4.2.4 Object 2003<sub>h</sub>: Maximum Current

This object defines the current used when the motor is moving. A value of 255 means 100% of the maximum current of the drive.

Object Description			
Index	Name	Object Type	Data Type
2003 <sub>h</sub>	Maximum current	Variable	UNSIGNED8

Table 62: Object Description (2003<sub>h</sub>)

Entry Description				
Sub-index	Access	PDO Mapping	Value Range	Default Value
0	rw	no	0...255	128

Table 63: Entry Description (2003<sub>h</sub>)



#### 4.2.5 Object 2004<sub>h</sub>: Standby Current

This object defines the current used when the motor is standing (two seconds after the last move). A value of 255 means 100% of the maximum current of the drive.

Object Description			
Index	Name	Object Type	Data Type
2004 <sub>h</sub>	Maximum current	Variable	UNSIGNED8

Table 64: Object Description (2004<sub>h</sub>)

Entry Description				
Sub-index	Access	PDO Mapping	Value Range	Default Value
0	rw	no	0...255	8

Table 65: Entry Description (2004<sub>h</sub>)

#### 4.2.6 Object 2005<sub>h</sub>: Limit Switches

This object defines which limit switches are to be used. Bit 0 stands for the left and bit 1 stands for the right limit switch. If a bit is set, the corresponding limit switch will not be used. So this object has to be set to the value 3 if limit switches are not connected. The object can only be written when the drive is in the SWITCHED\_ON\_DISABLED state (but is always readable).

The limit switches can also be inverted using bit 2 and bit 3:

- Bit 2 inverts the left limit switch
- Bit 3 inverts the right limit switch

The polarity of the home switch can be set using bit 5.

Object Description			
Index	Name	Object Type	Data Type
2005 <sub>h</sub>	Limit switches	Variable	UNSIGNED32

Table 66: Object Description (2005<sub>h</sub>)

Entry Description				
Sub-index	Access	PDO Mapping	Value Range	Default Value
0	rw	no	0...63	0

Table 67: Entry Description (2005<sub>h</sub>)



Bit Definitions	
Bit	Definition
0	Left limit switch deactivated if set.
1	Right limit switch deactivated if set.
2	Left limit switch inverted if set.
3	Right limit switch inverted if set.
4	Home switch deactivated if set.
5	Home switch inverted if set.

Table 68: Bit Definitions (2005<sub>h</sub>)

#### 4.2.7 Object 200A<sub>h</sub>: Enable Drive Delay Time

This is an additional delay time (in milliseconds) between enabling the power stage and releasing the brake. It can be used to prevent the brake from being released too early (before the hold current in the motor has been reached). Please see also object 4.2.3.

Object Description			
Index	Name	Object Type	Data Type
200A <sub>h</sub>	Enable drive delay time	Variable	UNSIGNED16

Table 69: Object Description (200A<sub>h</sub>)

Entry Description				
Sub-index	Access	PDO Mapping	Value Range	Default Value
0	rw	no	0...65535	0

Table 70: Entry Description (200A<sub>h</sub>)

#### 4.2.8 Object 200B<sub>h</sub>: Encoder Parameters

This object defines encoder parameters. These are the polarity of the encoder null channel, the direction of rotation (set it to 1 if the direction is reversed compared to the motor) and if the position is to be initialized with the encoder position. It is only writable in SWITCHED\_ON\_DISABLED state.

Object Description			
Index	Name	Object Type	Data Type
200B <sub>h</sub>	Encoder parameters	Array	UNSIGNED8

Table 71: Object Description (200B<sub>h</sub>)

Entry Description					
Sub-index	Description	Access	PDO Mapping	Value Range	Default Value
1	Null channel polarity	rw	no	0/1	0
2	Direction of rotation	rw	no	0/1	0
3	Initialize position	rw	no	0/1	1

Table 72: Entry Description (200B<sub>h</sub>)

#### 4.2.9 Object 200C<sub>h</sub>: Brake Current Feed

This object configures how much current has to be fed into the brake to apply and to release it. 0 means 0%, 255 means 100% of the maximum current (this depends on the module). In most cases it is needed to feed current into the brake to release it. Setting both values to 0 disables the automatic brake control. This object is only writable in SWITCHED\_ON\_DISABLED state.

Object Description			
Index	Name	Object Type	Data Type
200C <sub>h</sub>	Brake current feed	Array	UNSIGNED8

Table 73: Object Description (200C<sub>h</sub>)

Entry Description					
Sub-index	Description	Access	PDO Mapping	Value Range	Default Value
1	Apply current	rw	no	0...255	0
2	Release current	rw	no	0...255	0

Table 74: Entry Description (200C<sub>h</sub>)

#### 4.2.10 Object 200F<sub>h</sub>: Encoder N Channel Latch

With this object it is possible to make use of the encoder N channel latch capabilities of the motion controller used on the TMCM-3351 module. Write 1 to sub-index 1 to activate the latch functionality. When the encoder N channel has been passed, the internal position and the encoder position will automatically be stored to sub-index 2 and sub-index 3 of this object, and sub-index 1 will be reset to zero to show that the N channel event has occurred.

The encoder interface must have been configured properly in order to make this function work correctly.

Object Description			
Index	Name	Object Type	Data Type
200F <sub>h</sub>	Encoder N Channel Latch	Variable	RECORD

Table 75: Object Description (200F<sub>h</sub>)



Entry Description					
Sub-index	Description	Access	PDO Mapping	Value Range	Default Value
1	Mode	rw	no	0/1	0
2	Latched internal position	ro	no	SIGNED32	0
3	Latched encoder position	ro	no	SIGNED32	0

Table 76: Entry Description (200F<sub>h</sub>)

#### 4.2.11 Object 2010<sub>h</sub>: Profile Start Velocity

This object contains the velocity with which a positioning ramp will be started.

Object Description			
Index	Name	Object Type	Data Type
2010 <sub>h</sub>	Profile Start Velocity	Variable	UNSIGNED32

Table 77: Object Description (2010<sub>h</sub>)

Entry Description				
Sub-index	Access	PDO Mapping	Value Range	Default Value
0	rw	no	0...268435455	0

Table 78: Entry Description (2010<sub>h</sub>)

#### 4.2.12 Object 2011<sub>h</sub>: Profile Start Acceleration

This object contains the acceleration value used for ramping up from the start velocity (object 2011<sub>h</sub>, see section 4.2.11) to the velocity V1 (object (2012)<sub>h</sub>, see section 4.2.13).

Object Description			
Index	Name	Object Type	Data Type
2011 <sub>h</sub>	Profile A1	Variable	UNSIGNED32

Table 79: Object Description (2011<sub>h</sub>)

Entry Description				
Sub-index	Access	PDO Mapping	Value Range	Default Value
0	rw	no	0...16777215	0

Table 80: Entry Description (2011<sub>h</sub>)

### 4.2.13 Object 2012<sub>h</sub>: Profile Break Velocity

This object contains the velocity used for the first segment of a positioning ramp.

Object Description			
Index	Name	Object Type	Data Type
2012 <sub>h</sub>	Profile V1	Variable	UNSIGNED32

Table 81: Object Description (2012<sub>h</sub>)

Entry Description				
Sub-index	Access	PDO Mapping	Value Range	Default Value
0	rw	no	0...16777215	0

Table 82: Entry Description (2012<sub>h</sub>)

### 4.2.14 Object 2013<sub>h</sub>: Profile Final Deceleration

This object contains the deceleration value used for decelerating from the maximum positioning velocity to the velocity V1 (object 2012<sub>h</sub>, see section 4.2.13).

Object Description			
Index	Name	Object Type	Data Type
2013 <sub>h</sub>	Profile D1	Variable	UNSIGNED32

Table 83: Object Description (2013<sub>h</sub>)

Entry Description				
Sub-index	Access	PDO Mapping	Value Range	Default Value
0	rw	no	0...16777215	0

Table 84: Entry Description (2013<sub>h</sub>)

### 4.2.15 Object 2014<sub>h</sub>: Profile Stop Deceleration

This object sets the deceleration used to decelerate from the end velocity to zero velocity.

Object Description			
Index	Name	Object Type	Data Type
2014 <sub>h</sub>	Profile stop deceleration	Variable	UNSIGNED32

Table 85: Object Description (2014<sub>h</sub>)





Entry Description				
Sub-index	Access	PDO Mapping	Value Range	Default Value
0	rw	no	UNSIGNED32	0

Table 86: Entry Description (2014<sub>h</sub>)

#### 4.2.16 Object 2015<sub>h</sub>: Bow Scaling Factor

The bow or jerk values (object 60A4<sub>h</sub>) will internally be multiplied by this value so that also bow values higher than 2147483647 can be reached. This is only needed in rare cases where very steep S-shaped ramps are required. In most cases this value can be left at its default setting of 1. The bow values multiplied by this factor must not exceed  $467.837 \cdot 10^9$ .

Object Description			
Index	Name	Object Type	Data Type
2015 <sub>h</sub>	Ramp Wait Time	Variable	UNSIGNED8

Table 87: Object Description (2015<sub>h</sub>)

Entry Description				
Sub-index	Access	PDO Mapping	Value Range	Default Value
0	rw	no	1...255	1

Table 88: Entry Description (2015<sub>h</sub>)

#### 4.2.17 Object 2020<sub>h</sub>: Closed Loop Mode

Setting this object to 1 selects closed-loop mode, setting it to 0 (default value) selects open-loop mode. Before activating closed-loop mode, all necessary parameters must have been set. After activating closed-loop mode, check object 2120<sub>h</sub> until closed loop initialization has finished (please see also section 4.2.61).

Object Description			
Index	Name	Object Type	Data Type
2020 <sub>h</sub>	Closed-loop mode	Variable	UNSIGNED8

Table 89: Object Description (2020<sub>h</sub>)

Entry Description				
Sub-index	Access	PDO Mapping	Value Range	Default Value
0	rw	no	UNSIGNED8	0

Table 90: Entry Description (2020<sub>h</sub>)

#### 4.2.18 Object 2021<sub>h</sub>: Correction Position P

Proportional controller P parameter for compensating a detected position deviation. Resulting P parameter is this parameter divided by 65536.

Object Description			
Index	Name	Object Type	Data Type
2021 <sub>h</sub>	Correction position P	Variable	UNSIGNED32

Table 91: Object Description (2021<sub>h</sub>)

Entry Description				
Sub-index	Access	PDO Mapping	Value Range	Default Value
0	rw	no	0...16777215	0

Table 92: Entry Description (2021<sub>h</sub>)

#### 4.2.19 Object 2022<sub>h</sub>: Maximum Correction Tolerance

This object defines the tolerance range for position deviation.

Object Description			
Index	Name	Object Type	Data Type
2022 <sub>h</sub>	Maximum correction tolerance	Variable	UNSIGNED8

Table 93: Object Description (2022<sub>h</sub>)

Entry Description				
Sub-index	Access	PDO Mapping	Value Range	Default Value
0	rw	no	0...255	0

Table 94: Entry Description (2022<sub>h</sub>)

#### 4.2.20 Object 2027<sub>h</sub>: Closed Loop Beta

This object sets the maximum commutation angle that can be used to compensate for an evaluated position deviation.

Object Description			
Index	Name	Object Type	Data Type
2027 <sub>h</sub>	Maximum correction tolerance	Variable	UNSIGNED16

Table 95: Object Description (2027<sub>h</sub>)



Entry Description				
Sub-index	Access	PDO Mapping	Value Range	Default Value
0	rw	no	0...511	255

Table 96: Entry Description (2027<sub>h</sub>)

#### 4.2.21 Object 2028<sub>h</sub>: Closed Loop Offset

Offset for closed loop operation. Automatically measured during closed loop initialization. Normally no need to change this value.

Object Description			
Index	Name	Object Type	Data Type
2028 <sub>h</sub>	Closed-loop Offset	Variable	INTEGER32

Table 97: Object Description (2028<sub>h</sub>)

Entry Description				
Sub-index	Access	PDO Mapping	Value Range	Default Value
0	rw	no	-2147483648...2147483647	—

Table 98: Entry Description (2028<sub>h</sub>)

#### 4.2.22 Object 2029<sub>h</sub>: Current Scaler Minimum

Minimum current setting for current regulation in closed-loop operation.

Object Description			
Index	Name	Object Type	Data Type
2029 <sub>h</sub>	Current scaler minimum	Variable	UNSIGNED8

Table 99: Object Description (2029<sub>h</sub>)

Entry Description				
Sub-index	Access	PDO Mapping	Value Range	Default Value
0	rw	no	0...255	—

Table 100: Entry Description (2029<sub>h</sub>)

#### 4.2.23 Object 202A<sub>h</sub>: Current Scaler Maximum

Maximum current setting for current regulation in closed-loop operation.



Object Description			
Index	Name	Object Type	Data Type
202A <sub>h</sub>	Current scaler maximum	Variable	UNSIGNED8

Table 101: Object Description (202A<sub>h</sub>)

Entry Description				
Sub-index	Access	PDO Mapping	Value Range	Default Value
0	rw	no	0...255	—

Table 102: Entry Description (202A<sub>h</sub>)

#### 4.2.24 Object 202B<sub>h</sub>: Correction Velocity P

This object defines the P parameter of the PI regulator which controls the maximum velocity during closed-loop regulation.

Object Description			
Index	Name	Object Type	Data Type
202B <sub>h</sub>	Correction velocity P	Variable	UNSIGNED32

Table 103: Object Description (202B<sub>h</sub>)

Entry Description				
Sub-index	Access	PDO Mapping	Value Range	Default Value
0	rw	no	0...16777215	—

Table 104: Entry Description (202B<sub>h</sub>)

#### 4.2.25 Object 202C<sub>h</sub>: Correction Velocity I

This object defines the I parameter of the PI regulator which controls the maximum velocity during closed-loop regulation.

Object Description			
Index	Name	Object Type	Data Type
202C <sub>h</sub>	Correction velocity I	Variable	UNSIGNED32

Table 105: Object Description (202C<sub>h</sub>)



Entry Description				
Sub-index	Access	PDO Mapping	Value Range	Default Value
0	rw	no	0...16777215	—

Table 106: Entry Description (202C<sub>h</sub>)

#### 4.2.26 Object 202D<sub>h</sub>: Correction Velocity I Clipping

This object defines the clipping of the error sum of the integral part of the PI regulator which controls the maximum velocity during closed loop regulation.

Object Description			
Index	Name	Object Type	Data Type
202D <sub>h</sub>	Correction velocity I clipping	Variable	UNSIGNED16

Table 107: Object Description (202D<sub>h</sub>)

Entry Description				
Sub-index	Access	PDO Mapping	Value Range	Default Value
0	rw	no	0...32767	—

Table 108: Entry Description (202D<sub>h</sub>)

#### 4.2.27 Object 202E<sub>h</sub>: Correction Velocity DV Clock

This object defines the clock divider for the D part calculation of the regulator that controls the velocity during closed-loop regulation.

Object Description			
Index	Name	Object Type	Data Type
202E <sub>h</sub>	Correction velocity DV clock	Variable	UNSIGNED16

Table 109: Object Description (202E<sub>h</sub>)

Entry Description				
Sub-index	Access	PDO Mapping	Value Range	Default Value
0	rw	no	0...32767	—

Table 110: Entry Description (202E<sub>h</sub>)

#### 4.2.28 Object 202F<sub>h</sub>: Correction Velocity DV Clipping

The maximum velocity used for position correction in closed-loop mode will be limited to the value set by this object.

Object Description			
Index	Name	Object Type	Data Type
202F <sub>h</sub>	Correction velocity DV clock	Variable	UNSIGNED32

Table 111: Object Description (202F<sub>h</sub>)

Entry Description				
Sub-index	Access	PDO Mapping	Value Range	Default Value
0	rw	no	UNSIGNED32	2147483647

Table 112: Entry Description (202F<sub>h</sub>)

#### 4.2.29 Object 2030<sub>h</sub>: Upscale Delay

Delay used when increasing the motor current during closed-loop operation.

Object Description			
Index	Name	Object Type	Data Type
2030 <sub>h</sub>	Upscale delay	Variable	UNSIGNED32

Table 113: Object Description (2030<sub>h</sub>)

Entry Description				
Sub-index	Access	PDO Mapping	Value Range	Default Value
0	rw	no	0...16777215	—

Table 114: Entry Description (2030<sub>h</sub>)

#### 4.2.30 Object 2031<sub>h</sub>: Downscale Delay

Delay used when decreasing the motor current during closed-loop operation.

Object Description			
Index	Name	Object Type	Data Type
2031 <sub>h</sub>	Downscale delay	Variable	UNSIGNED32

Table 115: Object Description (2031<sub>h</sub>)



Entry Description				
Sub-index	Access	PDO Mapping	Value Range	Default Value
0	rw	no	0...16777215	—

Table 116: Entry Description (2031<sub>h</sub>)

#### 4.2.31 Object 2033<sub>h</sub>: Actual Scaling Factor

The actual current scaling factor (output of the current scaler) can be read from this object.

Object Description			
Index	Name	Object Type	Data Type
2033 <sub>h</sub>	Actual scaling factor	Variable	UNSIGNED8

Table 117: Object Description (2033<sub>h</sub>)

Entry Description				
Sub-index	Access	PDO Mapping	Value Range	Default Value
0	ro	no	0...255	-

Table 118: Entry Description (2033<sub>h</sub>)

#### 4.2.32 Object 2034<sub>h</sub>: Field Weakening Minimum Velocity

Minimum speed for field weakening operation. For higher velocities the influence of the back EMF may be compensated. At this velocity the compensation will start.

Object Description			
Index	Name	Object Type	Data Type
2034 <sub>h</sub>	Filed weakening minimum velocity	Variable	UNSIGNED32

Table 119: Object Description (2034<sub>h</sub>)

Entry Description				
Sub-index	Access	PDO Mapping	Value Range	Default Value
0	rw	no	0...16777215	—

Table 120: Entry Description (2034<sub>h</sub>)

### 4.2.33 Object 2035<sub>h</sub>: Field Weakening Maximum Velocity

Maximum speed for field weakening operation. For higher velocities the influence of the back EMF may be compensated. At the field weakening minimum velocity (section 4.2.32) plus this velocity the back EMF compensation will reach its maximum.

Object Description			
Index	Name	Object Type	Data Type
2035 <sub>h</sub>	Field weakening maximum velocity	Variable	UNSIGNED32

Table 121: Object Description (2035<sub>h</sub>)

Entry Description				
Sub-index	Access	PDO Mapping	Value Range	Default Value
0	rw	no	0...16777215	—

Table 122: Entry Description (2035<sub>h</sub>)

### 4.2.34 Object 2036<sub>h</sub>: Field Weakening

For higher velocities the influence of the back EMF may be compensated. This is the compensation factor that will be added scaled by the current velocity and the minimum and maximum field weakening velocity.

Object Description			
Index	Name	Object Type	Data Type
2036 <sub>h</sub>	Field weakening	Variable	UNSIGNED8

Table 123: Object Description (2036<sub>h</sub>)

Entry Description				
Sub-index	Access	PDO Mapping	Value Range	Default Value
0	rw	no	0...255	—

Table 124: Entry Description (2036<sub>h</sub>)

### 4.2.35 Object 204E<sub>h</sub>: Boost Current

This object defines the motor current that will be used during the acceleration phase and the deceleration phase in open-loop mode. A value of 255 means 100% of the maximum motor current of the drive. When this object is set to zero the run current (section 4.2.4) will also be used for the acceleration and deceleration phase.





Object Description			
Index	Name	Object Type	Data Type
204E <sub>h</sub>	Field weakening	Variable	UNSIGNED8

Table 125: Object Description (204E<sub>h</sub>)

Entry Description				
Sub-index	Access	PDO Mapping	Value Range	Default Value
0	rw	no	0...255	—

Table 126: Entry Description (204E<sub>h</sub>)

#### 4.2.36 Object 2089<sub>h</sub>: Setting Delay

This object has to be used for setting a standstill period before the current is changed down to standby current.

**Unit:** 10msec

Object Description			
Index	Name	Object Type	Data Type
2089 <sub>h</sub>	Setting Delay	Variable	UNSIGNED16

Table 127: Object Description (2089<sub>h</sub>)

Entry Description				
Sub-index	Access	PDO Mapping	Value Range	Default Value
0	rw	no	0...65535	200

Table 128: Entry Description (2089<sub>h</sub>)

#### 4.2.37 Object 208C<sub>h</sub>: Velocity Dimension Index

With this object different units can be chosen:

- Writing 0 selects internal units.
- Writing 181 sets PPS for velocity and PPS/s for acceleration.

This can only be changed in SWITCHED\_ON\_DISABLED mode.



Object Description			
Index	Name	Object Type	Data Type
208C <sub>h</sub>	Velocity Dimension Index	Variable	UNSIGNED8

Table 129: Object Description (208C<sub>h</sub>)

Entry Description				
Sub-index	Access	PDO Mapping	Value Range	Default Value
0	rw	no	0/181	181

Table 130: Entry Description (208C<sub>h</sub>)

#### 4.2.38 Object 208E<sub>h</sub>: Acceleration Dimension Index

With this object, the unit for acceleration can be read out. The unit can be set using object 208C<sub>h</sub>. Object 208E<sub>h</sub> reads 0 when internal units are selected and 179 when PPS/s is selected.

Object Description			
Index	Name	Object Type	Data Type
208E <sub>h</sub>	Acceleration Dimension Index	Variable	UNSIGNED8

Table 131: Object Description (208E<sub>h</sub>)

Entry Description				
Sub-index	Access	PDO Mapping	Value Range	Default Value
0	ro	no	0/179	179

Table 132: Entry Description (208E<sub>h</sub>)

#### 4.2.39 Object 2092<sub>h</sub>: Chopper Blank Time

This object serves for selecting the comparator blank time. This time needs to safely cover the switching event and the duration of the ringing on the sense resistor. For low current drivers, a setting of 1 or 2 is good. For higher current applications a setting of 2 or 3 will be required.

Object Description			
Index	Name	Object Type	Data Type
2092 <sub>h</sub>	Chopper Blank Time	Variable	UNSIGNED8

Table 133: Object Description (2092<sub>h</sub>)

Entry Description				
Sub-index	Access	PDO Mapping	Value Range	Default Value
0	rw	no	0...3	2

Table 134: Entry Description (2092<sub>h</sub>)

#### 4.2.40 Object 2093<sub>h</sub>: Chopper Mode

Select the chopper mode using this object:

- 0 – spreadCycle chopper
- 1 – classic constant off time chopper

Object Description			
Index	Name	Object Type	Data Type
2093 <sub>h</sub>	Chopper Mode	Variable	UNSIGNED8

Table 135: Object Description (2093<sub>h</sub>)

Entry Description				
Sub-index	Access	PDO Mapping	Value Range	Default Value
0	rw	no	0/1	0

Table 136: Entry Description (2093<sub>h</sub>)

#### 4.2.41 Object 2094<sub>h</sub>: Chopper Hysteresis Decrement

This object serves for the hysteresis decrement setting. This setting determines the slope of the hysteresis during on time and during fast decay time.

- 0 – fast decrement
- 3 – very slow decrement

Object Description			
Index	Name	Object Type	Data Type
2094 <sub>h</sub>	Chopper Hysteresis Decrement	Variable	UNSIGNED8

Table 137: Object Description (2094<sub>h</sub>)

Entry Description				
Sub-index	Access	PDO Mapping	Value Range	Default Value
0	rw	no	0...3	0

Table 138: Entry Description (2094<sub>h</sub>)

#### 4.2.42 Object 2095<sub>h</sub>: Chopper Hysteresis End

This object provides the setting of the hysteresis end value after a number of decrements. The decrement interval time is controlled by object 2094<sub>h</sub> (section 4.2.41).

Possible values are:

- -3...-1 – negative hysteresis end setting
- 0 – zero hysteresis end setting
- 1...12 – positive hysteresis end setting

Object Description			
Index	Name	Object Type	Data Type
2095 <sub>h</sub>	Chopper Hysteresis End	Variable	SIGNED8

Table 139: Object Description (2095<sub>h</sub>)

Entry Description				
Sub-index	Access	PDO Mapping	Value Range	Default Value
0	rw	no	-3...12	0

Table 140: Entry Description (2095<sub>h</sub>)

#### 4.2.43 Object 2096<sub>h</sub>: Chopper Hysteresis Start

This object provides the hysteresis start setting. Please notice that this value is an offset to the hysteresis end value.

Object Description			
Index	Name	Object Type	Data Type
2096 <sub>h</sub>	Chopper Hysteresis Start	Variable	UNSIGNED8

Table 141: Object Description (2096<sub>h</sub>)

Entry Description				
Sub-index	Access	PDO Mapping	Value Range	Default Value
0	rw	no	0...8	3

Table 142: Entry Description (2096<sub>h</sub>)

#### 4.2.44 Object 2097<sub>h</sub>: Chopper Off Time

The off time setting controls the minimum chopper frequency. Under normal circumstances, an off time within the range of 5µs to 20µs is used. Off time setting for constant  $t_{OFF}$  chopper:  $N_{CLK} = 12 + 32 * t_{OFF}$ .



Minimum is 64 clocks.

Setting this parameter to zero completely disables all driver transistors and so lets the motor free-wheel.

Object Description			
Index	Name	Object Type	Data Type
2097 <sub>h</sub>	Chopper Off Time	Variable	UNSIGNED8

Table 143: Object Description (2097<sub>h</sub>)

Entry Description				
Sub-index	Access	PDO Mapping	Value Range	Default Value
0	rw	no	0 / 2...15	5

Table 144: Entry Description (2097<sub>h</sub>)

#### 4.2.45 Object 2098<sub>h</sub>: Smart Energy Current Minimum

This object provides the setting of the lower motor current limit for CoolStep™ operation by scaling the CS value.

Possible values are:

- 0 – 1/2 of maximum motor current setting (section 4.2.4)
- 1 – 1/4 of maximum motor current setting (section 4.2.4)

Object Description			
Index	Name	Object Type	Data Type
2098 <sub>h</sub>	Smart Energy Current Minimum	Variable	UNSIGNED8

Table 145: Object Description (2098<sub>h</sub>)

Entry Description				
Sub-index	Access	PDO Mapping	Value Range	Default Value
0	rw	no	0/1	0

Table 146: Entry Description (2098<sub>h</sub>)

#### 4.2.46 Object 2099<sub>h</sub>: Smart Energy Current Down Step

This object provides the setting of the number of StallGuard2 readings above the upper threshold necessary for each current decrement of the motor current.

Possible values are:

- 0 – 32 measurements – slowest decrement
- 1 – 8 measurements



- 2 – 2 measurements
- 3 – 1 measurements – fastest decrement

Object Description			
Index	Name	Object Type	Data Type
2099 <sub>h</sub>	Smart Energy Current Down Step	Variable	UNSIGNED8

Table 147: Object Description (2099<sub>h</sub>)

Entry Description				
Sub-index	Access	PDO Mapping	Value Range	Default Value
0	rw	no	0...3	0

Table 148: Entry Description (2099<sub>h</sub>)

#### 4.2.47 Object 209A<sub>h</sub>: Smart Energy Hysteresis

This object sets the distance between the lower and the upper threshold for StallGuard2 reading. Above the upper threshold the motor current becomes decreased.

Hysteresis: (SmartEnergy hysteresis value + 1) \* 32

Upper StallGuard2 threshold: (SmartEnergy hysteresis start + SmartEnergy hysteresis + 1) \* 32

Object Description			
Index	Name	Object Type	Data Type
209A <sub>h</sub>	Smart Energy Hysteresis	Variable	UNSIGNED8

Table 149: Object Description (209A<sub>h</sub>)

Entry Description				
Sub-index	Access	PDO Mapping	Value Range	Default Value
0	rw	no	0...15	0

Table 150: Entry Description (209A<sub>h</sub>)

#### 4.2.48 Object 209B<sub>h</sub>: Smart Energy Current Up Step

This object sets the current increment step. The current becomes incremented for each measured StallGuard2 value below the lower threshold (see smart energy hysteresis start (object 209C<sub>h</sub>, section 4.2.49).

Possible values are:

- 0 – 1 step – slowest increment



- 1 – 2 steps
- 2 – 4 steps
- 3 – 8 steps – fastest increment

Object Description			
Index	Name	Object Type	Data Type
209B <sub>h</sub>	Smart Energy Current Up Step	Variable	UNSIGNED8

Table 151: Object Description (209B<sub>h</sub>)

Entry Description				
Sub-index	Access	PDO Mapping	Value Range	Default Value
0	rw	no	0...3	0

Table 152: Entry Description (209B<sub>h</sub>)

#### 4.2.49 Object 209C<sub>h</sub>: Smart Energy Hysteresis Start

This object serves to set the lower threshold for the StallGuard2 value (see smart Energy current up step (section 4.2.48)). Setting this to 0 disables the CoolStep™ function.

Object Description			
Index	Name	Object Type	Data Type
209C <sub>h</sub>	Smart Energy Hysteresis Start	Variable	UNSIGNED8

Table 153: Object Description (209C<sub>h</sub>)

Entry Description				
Sub-index	Access	PDO Mapping	Value Range	Default Value
0	rw	no	0...15	0

Table 154: Entry Description (209C<sub>h</sub>)

#### 4.2.50 Object 209D<sub>h</sub>: Smart Energy Filter Enable

This object is used to set the StallGuard2 filter for more precision of the measurement. It reduces the measurement frequency to one measurement per four fullsteps if set.

In most cases it is expedient to set the filtered mode when using CoolStep™. Use the standard mode for step loss detection.

Possible values are:

- 0 – standard mode
- 1 – filtered mode



Object Description			
Index	Name	Object Type	Data Type
209D <sub>h</sub>	Smart Energy Filter Enable	Variable	UNSIGNED8

Table 155: Object Description (209D<sub>h</sub>)

Entry Description				
Sub-index	Access	PDO Mapping	Value Range	Default Value
0	rw	no	0/1	0

Table 156: Entry Description (209D<sub>h</sub>)

#### 4.2.51 Object 209E<sub>h</sub>: StallGuard2 Threshold

This signed value controls the StallGuard2 threshold level for stall output and sets the optimum measurement range for readout. A lower value gives a higher sensitivity. Zero is the starting value. A higher value makes StallGuard2 less sensitive and requires more torque to indicate a stall.

Object Description			
Index	Name	Object Type	Data Type
209E <sub>h</sub>	StallGuard2 Threshold	Variable	SIGNED8

Table 157: Object Description (209E<sub>h</sub>)

Entry Description				
Sub-index	Access	PDO Mapping	Value Range	Default Value
0	rw	no	-63...63	0

Table 158: Entry Description (209E<sub>h</sub>)

#### 4.2.52 Object 20A1<sub>h</sub>: Short Protection Disable

This object is used to enable or to disable the short to ground protection. Normally there is no need to change this. Use the default value.

Possible values are:

- 0 – Short to GND protection enabled
- 1 – Short to GND protection disabled

Object Description			
Index	Name	Object Type	Data Type
20A1 <sub>h</sub>	Short Protection Disable	Variable	UNSIGNED8

Table 159: Object Description (20A1<sub>h</sub>)



Entry Description				
Sub-index	Access	PDO Mapping	Value Range	Default Value
0	rw	no	0/1	0

Table 160: Entry Description (20A1<sub>h</sub>)

#### 4.2.53 Object 20A3<sub>h</sub>: Vsense

This object is used for setting the sense resistor voltage based current scaling. *Use the default value and change only when recommended by Trinamic.*

Possible settings are:

- 0 - Full scale sense resistor voltage is 1/18 VDD
- 1 - Full scale sense resistor voltage is 1/36 VDD

Object Description			
Index	Name	Object Type	Data Type
20A3 <sub>h</sub>	Vsense	Variable	UNSIGNED8

Table 161: Object Description (20A3<sub>h</sub>)

Entry Description				
Sub-index	Access	PDO Mapping	Value Range	Default Value
0	rw	no	0/1	0

Table 162: Entry Description (20A3<sub>h</sub>)

#### 4.2.54 Object 20A4<sub>h</sub>: Stop on Stall

Below this speed the motor will not be stopped. Above this speed the motor will be stopped in case the StallGuard2 load value reaches zero.

Object Description			
Index	Name	Object Type	Data Type
20A4 <sub>h</sub>	Stop on Stall	Variable	UNSIGNED32

Table 163: Object Description (20A4<sub>h</sub>)

Entry Description				
Sub-index	Access	PDO Mapping	Value Range	Default Value
0	rw	no	0...2147483647	0

Table 164: Entry Description (20A4<sub>h</sub>)

#### 4.2.55 Object 20A5<sub>h</sub>: Smart Energy Threshold Speed

The CoolStep™ functionality will be enabled when the actual speed is above this speed. It will be disabled again when the actual speed drops below this value.

Object Description			
Index	Name	Object Type	Data Type
20A5 <sub>h</sub>	Smart Energy Threshold Speed	Variable	UNSIGNED32

Table 165: Object Description (20A5<sub>h</sub>)

Entry Description				
Sub-index	Access	PDO Mapping	Value Range	Default Value
0	rw	no	0...2147483647	0

Table 166: Entry Description (20A5<sub>h</sub>)

#### 4.2.56 Object 2100<sub>h</sub>: Home Offset Display

This object shows the home offset. The value is given in microsteps.

Object Description			
Index	Name	Object Type	Data Type
2100 <sub>h</sub>	Home Offset Display	Variable	SIGNED32

Table 167: Object Description (2100<sub>h</sub>)

Entry Description				
Sub-index	Access	PDO Mapping	Value Range	Default Value
0	ro	no	-2147483648...2147483647	0

Table 168: Entry Description (2100<sub>h</sub>)

#### 4.2.57 Object 2101<sub>h</sub>: Actual Load Value

This object shows the actual load value used for stall detection (StallGuard2™).

Object Description			
Index	Name	Object Type	Data Type
2101 <sub>h</sub>	Actual Load Value	Variable	UNSIGNED16

Table 169: Object Description (2101<sub>h</sub>)



Entry Description				
Sub-index	Access	PDO Mapping	Value Range	Default Value
0	ro	no	0...1023	0

Table 170: Entry Description (2101<sub>h</sub>)

#### 4.2.58 Object 2102<sub>h</sub>: Driver Error Flags

This object shows the error flags of the motor driver IC.

Error Flags		
Bit	Name	Meaning
7	OT	Overtemperature
6	OTPW	Temperature pre-warning
5	UV	Undervoltage
4	OCHS	Overcurrent high side
3	OLB	Open load on bridge B
2	OLA	Open load on bridge A
1	OCB	Overcurrent on bridge B
0	OCA	Overcurrent on bridge A

Table 171: Driver Error Flags (2102<sub>h</sub>)

Object Description			
Index	Name	Object Type	Data Type
2102 <sub>h</sub>	Driver Error Flags	Variable	UNSIGNED8

Table 172: Object Description (2102<sub>h</sub>)

Entry Description				
Sub-index	Access	PDO Mapping	Value Range	Default Value
0	ro	no	0...255	0

Table 173: Entry Description (2102<sub>h</sub>)

#### 4.2.59 Object 2107<sub>h</sub>: Microstep Resolution Display

This object shows the microstep resolution, set by object 2000<sub>h</sub> (please see section 4.2.1).



Object Description			
Index	Name	Object Type	Data Type
2107 <sub>h</sub>	Microstep resolution display	Variable	UNSIGNED8

Table 174: Object Description (2107<sub>h</sub>)

Entry Description				
Sub-index	Access	PDO Mapping	Value Range	Default Value
0	ro	no	0...8	8

Table 175: Entry Description (2107<sub>h</sub>)

#### 4.2.60 Object 210B<sub>h</sub>: Step Counter

This object shows the overall number of microsteps done by this motor so far. The value can be read as a 64 bit value (sub-index 3) or split into two 32 bit values (sub-index 1 and sub-index 2).

Object Description			
Index	Name	Object Type	Data Type
210B <sub>h</sub>	Step Counter	Variable	RECORD

Table 176: Object Description (210B<sub>h</sub>)

Entry Description					
Sub-index	Description	Access	PDO Mapping	Value Range	Default Value
1	Lower 32 Bits	ro	no	0... ffffffff <sub>h</sub>	0
2	Higher 32 Bits	ro	no	0... ffffffff <sub>h</sub>	0
3	64 Bit Value	ro	no	0... ffffffffffffffff <sub>h</sub>	0

Table 177: Entry Description (210B<sub>h</sub>)

#### 4.2.61 Object 2120<sub>h</sub>: Closed Loop Initialization Flag

The closed-loop initialization flag reads 1 when closed-loop is active and the initialization of closed-loop has finished. Otherwise this object reads 0.

Object Description			
Index	Name	Object Type	Data Type
2120 <sub>h</sub>	Closed Loop Initialization Flag	Variable	UNSIGNED8

Table 178: Object Description (2120<sub>h</sub>)



Entry Description				
Sub-index	Access	PDO Mapping	Value Range	Default Value
0	ro	no	0/1	—

Table 179: Entry Description (2120<sub>h</sub>)

#### 4.2.62 Object 2700<sub>h</sub>: TMCL Direct Communication

After writing the make signature 656b616d<sub>h</sub> to this object the drive switches to TMCL mode. The drive can then only be controlled via TMCL commands written to the OS command object 1023/01<sub>h</sub>. The drive can only be reset to normal CANopen functionality using the DS-301 reset application command.

Object Description			
Index	Name	Object Type	Data Type
2700 <sub>h</sub>	TMCL Direct Communication	Variable	UNSIGNED32

Table 180: Object Description (2700<sub>h</sub>)

Entry Description				
Sub-index	Access	PDO Mapping	Value Range	Default Value
0	rw	no	656b616d <sub>h</sub>	0

Table 181: Entry Description (2700)<sub>h</sub>

#### 4.2.63 Object 2701<sub>h</sub>: Manufacturer Specific Mode

Writing the make signature to this object turns on the manufacturer specific mode. The manufacturer specific mode can be turned off again by writing the kill signature to this object. The manufacturer specific mode has the following features:

- PDOs do not need to be disabled and re-enabled when the PDO mapping is to be changed.
- The RTR bit in the COB-ID of PDO definitions is ignored.

read:	0	=	manufacturer specific mode is inactive
	1	=	manufacturer specific mode is active
write:	656b616d <sub>h</sub>	=	make signature
	6c6c696b <sub>h</sub>	=	kill signature

Object Description			
Index	Name	Object Type	Data Type
2701 <sub>h</sub>	Manufacturer Specific Mode	Variable	UNSIGNED32

Table 182: Object Description (2701<sub>h</sub>)



Entry Description				
Sub-index	Access	PDO Mapping	Value Range	Default Value
0	rw	no	see above	0

Table 183: Entry Description (2701)<sub>h</sub>

#### 4.2.64 Object 2702<sub>h</sub>: Device Digital Inputs

Bits 23... 16 of this object reflect the states of the general purpose inputs of the module. The number of available inputs depends on the module type.

Bit Definitions	
Bit	Description
16	IN0
17	IN1
18	IN2
19	IN3
20	IN4
21	IN5
22	IN6
23	IN7

Table 184: Bit Definitions (2702)<sub>h</sub>

Object Description			
Index	Name	Object Type	Data Type
2702 <sub>h</sub>	Device Digital Inputs	Variable	UNSIGNED32

Table 185: Object Description (2702)<sub>h</sub>

Entry Description				
Sub-index	Access	PDO Mapping	Value Range	Default Value
0	ro	yes	-	0

Table 186: Entry Description (2702)<sub>h</sub>

#### 4.2.65 Object 2703<sub>h</sub>: Device Digital Outputs

With this object the digital outputs (general purpose outputs) can be set. Bits 23... 16 of sub index 1 switch the outputs of the module. Bits 23... 16 of sub index 2 determine which outputs can be switched. The



number of available digital outputs depends on the module type.

Bit Definitions	
Bit	Description
16	OUT0
17	OUT1
18	OUT2
19	OUT3
20	OUT4
21	OUT5
22	OUT6
23	OUT7

Table 187: Bit Definitions (2703<sub>h</sub>)

Object Description			
Index	Name	Object Type	Data Type
2703 <sub>h</sub>	Device Digital Outputs	Variable	ARRAY

Table 188: Object Description (2703<sub>h</sub>)

Entry Description					
Sub-index	Description	Access	PDO Mapping	Value Range	Default Value
1	Physical outputs	rw	yes	UNSIGNED32	0
2	Output mask	rw	yes	UNSIGNED32	0

Table 189: Entry Description (2703<sub>h</sub>)

#### Note

Some outputs can also be used for automatically controlling a brake that can be connected to the module via these outputs. In order to be able to control these outputs via this object the automatic brake control function has to be disabled. Do this by writing 0 to sub-index 1 and sub-index 2 of object 200C<sub>h</sub>.

#### 4.2.66 Object 2704<sub>h</sub>: CAN Bit Rate

With this object it is possible to change the CAN bit rate. To do this, first write the new value to this object. Then, store the new setting by writing the save signature to object 2706<sub>h</sub>. After that, reset the module. The new setting then becomes active.



Object Description			
Index	Name	Object Type	Data Type
2704 <sub>h</sub>	CAN Bit Rate	Variable	UNSIGNED16

Table 190: Object Description (2704<sub>h</sub>)

Entry Description				
Sub-index	Access	PDO Mapping	Value Range	Default Value
0	rw	no	20,50,100,125,250,500,800,1000	1000

Table 191: Entry Description (2704)<sub>h</sub>

How to change the bit rate of a module:

- Write new bit rate in object 2704<sub>h</sub>.
- Write the save signature 65766173<sub>h</sub> to sub-index 1 of object 2706<sub>h</sub>.
- Reset module.

#### 4.2.67 Object 2705<sub>h</sub>: Node ID

On modules that do not have address switches the node ID can be selected using this object. On modules with address switches the node ID is normally selected using the address switches. Only when the address switches are set to an invalid value (0 or >127) this object overrides the address switch setting. To change the node ID, first write the new node ID to this object. Then, store the new setting by writing the save signature to object 2706<sub>h</sub>. After that, reset the module. The new setting then becomes active.

Object Description			
Index	Name	Object Type	Data Type
2705 <sub>h</sub>	Node ID	Variable	UNSIGNED8

Table 192: Object Description (2705<sub>h</sub>)

Entry Description				
Sub-index	Access	PDO Mapping	Value Range	Default Value
0	rw	no	1...127	1

Table 193: Entry Description (2705)<sub>h</sub>

How to change the node ID of a module:

- Write new node ID to object 2705<sub>h</sub>.
- Write save signature 65766173<sub>h</sub> to sub-index 1 of object 2706<sub>h</sub>.
- Reset the module.





#### 4.2.68 Object 2706<sub>h</sub>: Store

Writing the save signature to this object permanently saves changes made to objects 2704<sub>h</sub> and 2705<sub>h</sub>. The save signature is 65766173<sub>h</sub>.

Object Description			
Index	Name	Object Type	Data Type
2706 <sub>h</sub>	Store	Variable	UNSIGNED32

Table 194: Object Description (2706<sub>h</sub>)

Entry Description				
Sub-index	Access	PDO Mapping	Value Range	Default Value
0	rw	no	save signature: 65766173 <sub>h</sub>	1

Table 195: Entry Description (2706<sub>h</sub>)

#### 4.2.69 Object 2707<sub>h</sub>: CAN Bit Rate Load

This object shows the selected CAN bit rate.

Object Description			
Index	Name	Object Type	Data Type
2707 <sub>h</sub>	CAN Bit Rate Load	Variable	UNSIGNED8

Table 196: Object Description (2707<sub>h</sub>)

Entry Description				
Sub-index	Access	PDO Mapping	Value Range	Default Value
0	ro	no	20...1000	depends on bit rate

Table 197: Entry Description (2707<sub>h</sub>)

#### 4.2.70 Object 2708<sub>h</sub>: Node ID Load

This object shows the selected node ID.

Object Description			
Index	Name	Object Type	Data Type
2708 <sub>h</sub>	Node ID Load	Variable	UNSIGNED8

Table 198: Object Description (2708<sub>h</sub>)



Entry Description				
Sub-index	Access	PDO Mapping	Value Range	Default Value
0	ro	no	1..127	Depends on node ID setting

Table 199: Entry Description (2708<sub>h</sub>)

#### 4.2.71 Object 270E<sub>h</sub>: Device Analog Inputs

This object shows the values of the analog inputs of the device.

Object Description			
Index	Name	Object Type	Data Type
270E <sub>h</sub>	Device Analog Inputs	Array	UNSIGNED32

Table 200: Object Description (270E<sub>h</sub>)

Entry Description					
Sub-index	Description	Access	PDO Mapping	Value Range	Default Value
1	Analog input 0	ro	yes	0...1023	-
2	Analog input 1	ro	yes	0...1023	-
3	Analog input 2	ro	yes	0...1023	-
4	Analog input 3	ro	yes	0...1023	-

Table 201: Entry Description (270E<sub>h</sub>)



## 5 Profile specific Area

The profile segment contains CiA-402 standard motion control objects. These objects control the motion control functions of the TMCM-3351. Since it is not possible to operate the modes in parallel, the user is able to activate the required function by selecting a mode of operation. The control device writes to the modes of operation object in order to select the operation mode. The drive device provides the modes of operation display object to indicate the actual activated operation mode. Controlword, statusword, and set-points are used mode-specific. This implies the responsibility of the control device to avoid inconsistencies and erroneous behavior.

The following operating modes (selectable via object 6060<sub>h</sub>, please see 5.1.6) are implemented on the TMCM-3351:

- Profile position mode (pp)
- Profile velocity mode (pv)
- Homing mode (hm)
- Cyclic position mode (csp)
- Cyclic velocity mode (csv)
- Cyclic torque mode (cst)

### Info

This section of the manual only shows the object indices for motor #0. Of course the same objects are also available for the other motors. For the other motors, add an offset of  $motor\_number \cdot 800_h$  to the object index. So for example the control word (object 6040<sub>h</sub> for motor #0) can be accessed as object 6840<sub>h</sub> for motor #1 and as object 7040<sub>h</sub> for motor #2. Please see also section 2.4.1.

Multi-axis Object Indices	
Motor	Object Index Range
Motor #0	6000 <sub>h</sub> – 67FF <sub>h</sub>
Motor #1	6800 <sub>h</sub> – 6FFF <sub>h</sub>
Motor #2	7000 <sub>h</sub> – 77FF <sub>h</sub>

Table 202: Multi-axis Object Indices (Profile specific Area)

## 5.1 Detailed Object Specifications

### 5.1.1 Object 605A<sub>h</sub>: Quick Stop Option Code

This object indicates what action is performed when the quick stop function is executed. The slow down ramp is the deceleration value of the used mode of operation. The following quick stop option codes are supported in the current version of the CANopen firmware:



Value Definition	
Value	Definition
1	Slow down on <i>slow down ramp</i> and transit into <i>switch on disabled</i>
2	Slow down on <i>quick stop ramp</i> and transit into <i>switch on disabled</i>
5	Slow down on <i>slow down ramp</i> and stay in <i>quick stop active</i>
6	Slow down on <i>quick stop ramp</i> and stay in <i>quick stop active</i>

Table 203: Value Description (605A<sub>h</sub>)

Object Description			
Index	Name	Object Type	Data Type
605A <sub>h</sub>	Quick stop option code	Variable	SIGNED16

Table 204: Object Description (605A<sub>h</sub>)

Entry Description				
Sub-index	Access	PDO Mapping	Value Range	Default Value
0	rw	no	1/2/5/6	2

Table 205: Entry Description (605A<sub>h</sub>)

### 5.1.2 Object 605B<sub>h</sub>: Shutdown Option Code

This object indicates what action is performed if there is a transition from *operation enabled* state to *ready to switch on state*. The shutdown option code always has the value 0 as only this is supported.

Value Definition	
Value	Definition
0	Disable drive function (switch off the power stage)

Table 206: Value Description (605B<sub>h</sub>)

Object Description			
Index	Name	Object Type	Data Type
605B <sub>h</sub>	Shutdown option code	Variable	UNSIGNED16

Table 207: Object Description (605B<sub>h</sub>)



Entry Description				
Sub-index	Access	PDO Mapping	Value Range	Default Value
0	rw	no	0	0

Table 208: Entry Description (605B<sub>h</sub>)

### 5.1.3 Object 605C<sub>h</sub>: Disable Operation Option Code

This object indicates what action is performed if there is a transition from *operation enabled* state to *switched on* state. The disable operation option code always has the value 1 as only this is supported. The slow down ramp is the deceleration value of the used mode of operation.

Value Definition	
Value	Definition
1	Slow down on slow down ramp

Table 209: Value Description (605C<sub>h</sub>)

Object Description			
Index	Name	Object Type	Data Type
605C <sub>h</sub>	Disable operation option code	Variable	UNSIGNED16

Table 210: Object Description (605C<sub>h</sub>)

Entry Description				
Sub-index	Access	PDO Mapping	Value Range	Default Value
0	rw	no	1	1

Table 211: Entry Description (605C<sub>h</sub>)

### 5.1.4 Object 605D<sub>h</sub>: Halt Option Code

This object indicates what action is performed when the halt function is executed. The slow down ramp is the deceleration value of the used mode of operation. The halt option code always has the value 1 as only this is supported.

Value Definition	
Value	Definition
1	Slow down on slow down ramp and stay in <i>operation enabled</i>

Table 212: Value Description (605D<sub>h</sub>)

Object Description			
Index	Name	Object Type	Data Type
605D <sub>h</sub>	Halt option code	Variable	UNSIGNED16

Table 213: Object Description (605D<sub>h</sub>)

Entry Description				
Sub-index	Access	PDO Mapping	Value Range	Default Value
0	rw	no	1	1

Table 214: Entry Description (605D<sub>h</sub>)

### 5.1.5 Object 605E<sub>h</sub>: Fault Reaction Option Code

This object indicates what action is performed when fault is detected in the power drive system. The slow down ramp is the deceleration value of the used mode of operation. The fault reaction option code always has the value 2 as only this is supported.

Value Definition	
Value	Definition
2	Slow down on quick stop ramp

Table 215: Value Description (605E<sub>h</sub>)

Object Description			
Index	Name	Object Type	Data Type
605E <sub>h</sub>	Fault reaction option code	Variable	UNSIGNED16

Table 216: Object Description (605E<sub>h</sub>)

Entry Description				
Sub-index	Access	PDO Mapping	Value Range	Default Value
0	rw	no	2	2

Table 217: Entry Description (605E<sub>h</sub>)

### 5.1.6 Object 6060<sub>h</sub>: Modes of Operation

This object indicates the requested operation mode. Supported operating modes are:



Value Definition	
Value	Mode
0	No mode
1	Profile position mode (pp)
3	Profile velocity mode (pv)
6	Homing mode (hm)
8	Cyclic synchronous position mode (csp)
9	Cyclic synchronous velocity mode (csv)
10	Cyclic synchronous torque mode (cst)

Table 218: Value Description (6060<sub>h</sub>)

The motor will not run when the operating mode is set to 0. It will be stopped when the motor is running in one of the supported operating modes and the operating mode is then switched to 0.

Object Description			
Index	Name	Object Type	Data Type
6060 <sub>h</sub>	Modes of operation	Variable	SIGNED8

Table 219: Object Description (6060<sub>h</sub>)

Entry Description				
Sub-index	Access	PDO Mapping	Value Range	Default Value
0	rw	refer to CiA-402	see table 218	0

Table 220: Entry Description (6060<sub>h</sub>)

#### Note

It is not allowed to write the same mode number twice to object 6060<sub>h</sub>. So before writing a new value to object 6060<sub>h</sub>, either check object 6061<sub>h</sub> or object 6060<sub>h</sub> to see if the operating mode has not already been set to that value.

### 5.1.7 Object 6061<sub>h</sub>: Modes of Operation Display

This object shows the operating mode that is currently set.



Value Definition	
Value	Mode
0	No mode
1	Profile position mode (pp)
3	Profile velocity mode (pv)
6	Homing mode (hm)
8	Cyclic synchronous position mode (csp)
9	Cyclic synchronous velocity mode (csv)
10	Cyclic synchronous torque mode (cst)

Table 221: Value Description (6061<sub>h</sub>)

The motor will not run when the operating mode is set to 0. It will be stopped when the motor is running in one of the supported operating modes and the operating mode is then switched to 0.

Object Description			
Index	Name	Object Type	Data Type
6061 <sub>h</sub>	Modes of operation display	Variable	SIGNED8

Table 222: Object Description (6061<sub>h</sub>)

Entry Description				
Sub-index	Access	PDO Mapping	Value Range	Default Value
0	rw	refer to CiA-402	see table 221	0

Table 223: Entry Description (6061<sub>h</sub>)

### 5.1.8 Object 606A<sub>h</sub>: Sensor Selection Code

This object provides the source of the position sensor actual value. It selects whether an encoder is to be used or not.

Value Definition	
Value	Mode
0	Encoder used
-1	No encoder

Table 224: Value Description (606A<sub>h</sub>)



Object Description			
Index	Name	Object Type	Data Type
606A <sub>h</sub>	Sensor selection code	Variable	SIGNED16

Table 225: Object Description (606A<sub>h</sub>)

Entry Description				
Sub-index	Access	PDO Mapping	Value Range	Default Value
0	rw	no	0/-1	-1

Table 226: Entry Description (606A<sub>h</sub>)

### 5.1.9 Object 608F<sub>h</sub>: Position Encoder Resolution

This object defines the resolution of the encoder. The position encoder resolution is calculated by the following formula:

$$position\ encoder\ resolution = \frac{encoder\ increments}{motor\ revolutions}$$

All values are dimensionless.

Object Description			
Index	Name	Object Type	Data Type
608F <sub>h</sub>	Position Encoder Resolution	Array	UNSIGNED32

Table 227: Object Description (608F<sub>h</sub>)

Entry Description					
Sub-index	Description	Access	PDO Mapping	Value Range	Default Value
0	Highest sub-index supported	ro	no	2	2
1	Encoder increments	rw	no	0...2147483647	1
2	Motor revolutions	ro	no	1	1

Table 228: Entry Description (608F<sub>h</sub>)

### 5.1.10 Object 60FD<sub>h</sub>: Digital Inputs

This object contains the states of the digital inputs of the module. Starting from bit 0, every bit reflects the state of one digital input. The number of valid bits depends on the number of digital inputs on the module used.



Object Description			
Index	Name	Object Type	Data Type
60FD <sub>h</sub>	Digital inputs	Variable	UNSIGNED32

Table 229: Object Description (60FD<sub>h</sub>)

Entry Description				
Sub-index	Access	PDO Mapping	Value Range	Default Value
0	rw	mappable	UNSIGNED32	0

Table 230: Entry Description (60FD<sub>h</sub>)

### 5.1.11 Object 6502<sub>h</sub>: Supported Drive Modes

This object provides information on the supported drive modes. A bit that is set means that the mode is supported, a bit that is not set means that the mode is not supported by the drive.

Value Definition	
Bit	Mode
0	Profile position mode (pp)
1	Velocity mode (vl)
2	Profile velocity mode (pv)
3	Torque mode (tq)
4	Reserved
5	Homing mode (hm)
6	Interpolated position mode (ip)
7	Cyclic synchronous position mode (csp)
8	Cyclic synchronous velocity mode (csv)
9	Cyclic synchronous torque mode (cst)

Table 231: Value Definition (6502<sub>h</sub>)

Object Description			
Index	Name	Object Type	Data Type
6502 <sub>h</sub>	Supported drive modes	Variable	UNSIGNED32

Table 232: Object Description (6502<sub>h</sub>)

Entry Description				
Sub-index	Access	PDO Mapping	Value Range	Default Value
0	ro	no	UNSIGNED32	Depends on supported modes.

*Table 233: Entry Description (6502<sub>h</sub>)*



## 6 Profile Position Mode

A target position is applied to the trajectory generator. It is generating a position demand value for the position control loop described in the position control function.

Please refer to object 6060<sub>h</sub> (section 5.1.6) for information about how to choose an operation mode. Object 6061<sub>h</sub> (section 5.1.7) shows the operation mode that is set.

### 6.1 Detailed Object Specifications

The following text offers detailed object specifications. For a better understanding, it is necessary to see how the state machine works.

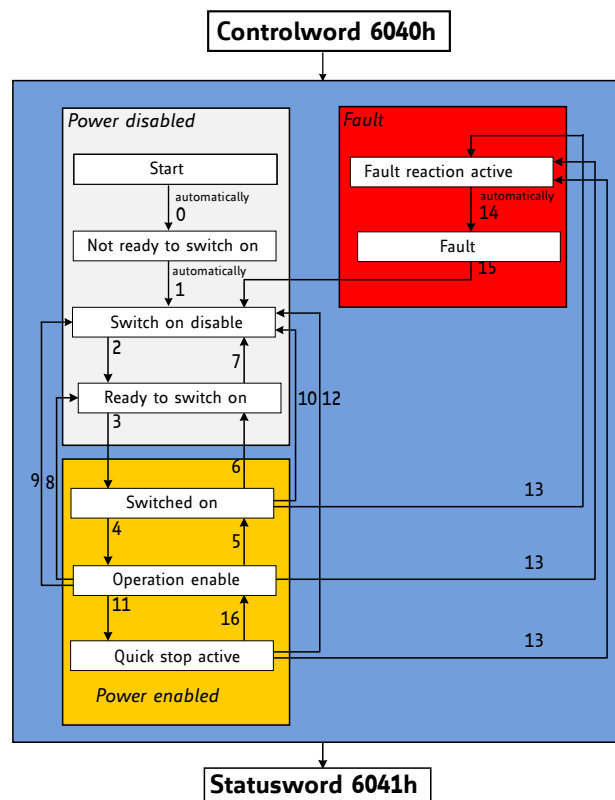


Figure 13: DS402 Finite State Machine

Notes on state transitions:

- Commands directing a change in state are processed completely and the new state achieved before additional state change commands are processed.
- Transitions 0 and 1 occur automatically at drive power-on or reset. Transition 14 occurs automatically, too. All other state changes must be directed by the host.
- Drive function disabled indicates that no current is being supplied to the motor.
- Drive function enabled indicates that current is available for the motor and profile position and profile velocity reference values may be processed.



### 6.1.1 Object 6040<sub>n</sub>: Control Word

This object indicates the received command controlling the power drive system finite state automaton (PDS FSA). The CiA-402 state machine can be controlled using this object. Please refer to figure 13 for detailed information.

Structure of the Control Word											
15	11	10	9	8	7	6	4	3	2	1	0
nu	r	oms	h	fr	oms	eo	qs	ev	so		
MSB										LSB	

Legend: nu=not used; r=reserved; oms=operation mode specific; h=halt; fr=fault reset; eo=enable operation; qs=quick stop; ev=enable voltage; so=switch on.

Table 234: Structure of the Control Word in pp Mode

Operation Mode specific Bits in pp Mode		
Bit	Name	Definition
4	New set point	0-to-1: the next positioning will be started.
5	Change immediately	Not supported.
6	Absolute / relative	0: New position is absolute. 1: New position is relative.
9	Change set point	Not supported.

Table 235: Operation Mode specific Bits in pp Mode

Command Coding						
Command	Bits of Control Word					Transitions
	Bit 7	Bit 3	Bit 2	Bit 1	Bit 0	
Shutdown	0	x	1	1	0	2,6,8
Switch on	0	0	1	1	1	3
Switch on & enable operation	0	1	1	1	1	3, 4
Disable voltage	0	x	x	0	x	7,9,10,12
Quick stop	0	x	0	1	x	7,10,11
Disable operation	0	0	1	1	1	5
Enable operation	0	1	1	1	1	4, 16
Fault reset	0-to-1	x	x	x	x	15

Table 236: Command Coding



Object Description			
Index	Name	Object Type	Data Type
6040 <sub>h</sub>	Controlword	Variable	UNSIGNED16

Table 237: Object Description (6040<sub>h</sub> in pp Mode)

Entry Description				
Sub-index	Access	PDO Mapping	Value Range	Default Value
0	rw	see CiA402-3	See command coding above.	

Table 238: Entry Description (6040<sub>h</sub> in pp Mode)

### 6.1.2 Object 6041<sub>h</sub>: Status Word

This object provides the status of the PDS FSA. It reflects the status of the CiA-402 state machine. Please refer to figure 13 for detailed information. The object is structured as defined below. For more information about the coding please refer to the CANopen Drives and motion control device profile, part 2.

Structure of the Status Word															
15	14	13	12	11	10	9	8	7	6	5	4	3	2	1	0
dir	mot	oms	ila	tr	rm	ms	w	sod	qs	ve	f	oe	so	rtso	
MSB														LSB	

Legend: nu=not used; r=reserved; oms=operation mode specific; h=halt; fr=fault reset; oe=operation enable; qs=quick stop; ve=voltage enable; so=switch on.

Table 239: Structure of the Status Word in pp Mode

Trinamic Specific Bits		
Bit	Name	Definition
14	Motor activity	0: Motor stands still. 1: Motor rotates.
15	Direction of rotation	This bit shows the direction of rotation.

Table 240: Trinamic Specific Bits



Operation Mode specific Bits in pp Mode		
Bit	Name	Definition
10	Target reached	Set when the motor is within the position window.
12	Set point acknowledged	0: Set point processed. 1: Set point still in process.
13	Following error	Not supported.

Table 241: Operation Mode specific Bits in pp Mode

State Coding	
Status word	FSA state
xxxx xxxx x0xx 0000 <sub>h</sub>	Not ready to switch on
xxxx xxxx x1xx 0000 <sub>h</sub>	Switch on disabled
xxxx xxxx x01x 0001 <sub>h</sub>	Ready to switch on
xxxx xxxx x01x 0011 <sub>h</sub>	Switched on
xxxx xxxx x01x 0111 <sub>h</sub>	Operation enabled
xxxx xxxx x00x 0111 <sub>h</sub>	Quick stop active
xxxx xxxx x0xx 1111 <sub>h</sub>	Fault reaction active
xxxx xxxx x0xx 1000 <sub>h</sub>	Fault

Table 242: State Coding

Object Description			
Index	Name	Object Type	Data Type
6041 <sub>h</sub>	Controlword	Variable	UNSIGNED16

Table 243: Object Description (6041<sub>h</sub> in pp Mode)

Entry Description				
Sub-index	Access	PDO Mapping	Value Range	Default Value
0	rw	see CiA402-3	See state coding above.	

Table 244: Entry Description (6041<sub>h</sub> in pp Mode)

### 6.1.3 Object 6062<sub>h</sub>: Position Demand Value

This object provides the demanded position value. The value is given in microsteps. Object 6062<sub>h</sub> indicates the actual position that the motor should have. It is not to be confused with objects 6063<sub>h</sub> and 6064<sub>h</sub>.



Object Description			
Index	Name	Object Type	Data Type
6062 <sub>h</sub>	Position Demand Value	Variable	SIGNED32

Table 245: Object Description (6062<sub>h</sub>)

Entry Description				
Sub-index	Access	PDO Mapping	Value Range	Default Value
0	ro	Refer to CiA402-3	SIGNED32	no

Table 246: Entry Description (6062<sub>h</sub>)

#### 6.1.4 Object 6063<sub>h</sub>: Position Actual Internal Value

This object provides the actual value of the encoder or the motor. Please use the sensor selection object 606A<sub>h</sub> (see section 5.1.8) for selecting the motor or the encoder first. Object 6063<sub>h</sub> indicates the actual position of the encoder or the motor, re-scaled to the microstep resolution. The value is given in microsteps.

Object Description			
Index	Name	Object Type	Data Type
6063 <sub>h</sub>	Position Actual Internal Value	Variable	SIGNED32

Table 247: Object Description (6063<sub>h</sub>)

Entry Description				
Sub-index	Access	PDO Mapping	Value Range	Default Value
0	ro	Refer to CiA402-3	SIGNED32	no

Table 248: Entry Description (6063<sub>h</sub>)

#### 6.1.5 Object 6064<sub>h</sub>: Position Actual Value

This object provides the actual value of the position measurement device. It always contains the same value as object 6063<sub>h</sub>.

Object Description			
Index	Name	Object Type	Data Type
6064 <sub>h</sub>	Position Actual Value	Variable	SIGNED32

Table 249: Object Description (6064<sub>h</sub>)



Entry Description				
Sub-index	Access	PDO Mapping	Value Range	Default Value
0	ro	Refer to CiA402-3	SIGNED32	no

Table 250: Entry Description (6064<sub>h</sub>)

### 6.1.6 Object 6065<sub>h</sub>: Following Error Window

This object indicates the configured range of tolerated position values symmetrically to the position demand value. If the position actual value is out of the following error window, a following error occurs. A following error may occur when a drive is blocked, unreachable profile velocity occurs, or at wrong closed-loop coefficients. The value shall be given in microsteps.

When the difference between motor position (object 6062<sub>h</sub>) and encoder position (object 6063<sub>h</sub> or 6064<sub>h</sub>) is greater than the value set here, the motor will be stopped and an emergency message will be sent. Setting this object to zero will turn off this feature completely.

---

**Note** Setting this object to a too low value will lead to false alarms.

---

Object Description			
Index	Name	Object Type	Data Type
6065 <sub>h</sub>	Following Error Window	Variable	UNSIGNED32

Table 251: Object Description (6065<sub>h</sub>)

Entry Description				
Sub-index	Access	PDO Mapping	Value Range	Default Value
0	rw	no	0...2147483647	0

Table 252: Entry Description (6065<sub>h</sub>)

### 6.1.7 Object 6067<sub>h</sub>: Position Window

This object indicates the configured symmetrical range of accepted positions relative to the target position. If the actual value of the position encoder is within the position window, this target position is regarded as having been reached. The value is given in increments. If the value of the position window is FFFFFFFF<sub>h</sub>, the position window control is switched off. If this object is set to zero, the target reached event will be signaled when the demand position (6062<sub>h</sub>) has reached the target position (6064<sub>h</sub>). When the position window is set to a value greater than zero, the target reached event will be signaled when the actual encoder position value (6064<sub>h</sub>) is within  $(target\_position - position\_window)$  and  $(target\_position + position\_window)$ .



Object Description			
Index	Name	Object Type	Data Type
6067 <sub>h</sub>	Position Window	Variable	UNSIGNED32

Table 253: Object Description (6067<sub>h</sub>)

Entry Description				
Sub-index	Access	PDO Mapping	Value Range	Default Value
0	rw	no	UNSIGNED32	FFFFFFF <sub>h</sub>

Table 254: Entry Description (6067<sub>h</sub>)

### 6.1.8 Object 6068<sub>h</sub>: Position Window Time

This object indicates the configured time, during which the actual position within the position window is measured. The value is given in ms. If this object is set to a value greater than zero and also the position window (6067<sub>h</sub>) is set to a value greater than zero the target reached event will not be signaled until the actual position (6064<sub>h</sub>) is at least as many milliseconds within the position window as defined by this object.

Object Description			
Index	Name	Object Type	Data Type
6068 <sub>h</sub>	Position Window Time	Variable	UNSIGNED16

Table 255: Object Description (6068<sub>h</sub>)

Entry Description				
Sub-index	Access	PDO Mapping	Value Range	Default Value
0	rw	no	UNSIGNED16	0

Table 256: Entry Description (6068<sub>h</sub>)

### 6.1.9 Object 606C<sub>h</sub>: Velocity Actual Value

This object shows the actual velocity value of the motor. The value is given in internal or user-defined velocity units (depending on object 208C<sub>h</sub>, described in section 4.2.37).

Object Description			
Index	Name	Object Type	Data Type
606C <sub>h</sub>	Velocity Actual Value	Variable	SIGNED32

Table 257: Object Description (606C<sub>h</sub>)



Entry Description				
Sub-index	Access	PDO Mapping	Value Range	Default Value
0	ro	Refer to CiA402-3	SIGNED32	no

Table 258: Entry Description (606C<sub>h</sub>)

### 6.1.10 Object 607A<sub>h</sub>: Target Position

The target position is the position that the drive should move to in profile position mode using the current settings of motion control parameters (such as velocity, acceleration, deceleration, motion profile type etc.). The value of this object is interpreted as absolute or relative depending on the abs/rel flag in the controlword. It is given in microsteps.

Object Description			
Index	Name	Object Type	Data Type
607A <sub>h</sub>	Target Position	Variable	SIGNED32

Table 259: Object Description (607A<sub>h</sub> in pp Mode)

Entry Description				
Sub-index	Access	PDO Mapping	Value Range	Default Value
0	rw	Refer to CiA402-3	SIGNED32	0

Table 260: Entry Description (607A<sub>h</sub> in pp Mode)

### 6.1.11 Object 607D<sub>h</sub>: Software Position Limit

This object indicates the configured maximal and minimal software position limits. These parameters define the absolute position limits for the position demand value and the position actual value. Every new target position is checked against these limits. The limit positions are always relative to the machine home position. Before being compared with the target position, they are corrected internally by the home offset as follows:

$$\text{Corrected\_min\_position\_limit} = \text{min\_position\_limit} - \text{home\_offset}$$

$$\text{Corrected\_max\_position\_limit} = \text{max\_position\_limit} - \text{home\_offset}$$

Object Description			
Index	Name	Object Type	Data Type
607D <sub>h</sub>	Software Position Limit	Array	SIGNED32

Table 261: Object Description (607D<sub>h</sub>)

Entry Description					
Sub-index	Description	Access	PDO Mapping	Value Range	Default Value
1	Minimum Position Limit	rw	no	SIGNED32	-2147483648
2	Maximum Position Limit	rw	no	SIGNED32	2147483647

Table 262: Entry Description (607D<sub>h</sub>)

### 6.1.12 Object 6081<sub>h</sub>: Profile Velocity

This object indicates the configured velocity normally attained at the end of the acceleration ramp during a profiled motion and is valid for both directions of motion. The profile velocity is the maximum velocity used when driving to a new position. It is given in internal or user specific units (depending on object 208C<sub>h</sub>, section 4.2.37).

Object Description			
Index	Name	Object Type	Data Type
6081 <sub>h</sub>	Profile Velocity	Variable	SIGNED32

Table 263: Object Description (6081<sub>h</sub>)

Entry Description				
Sub-index	Access	PDO Mapping	Value Range	Default Value
0	rw	no	SIGNED32	0

Table 264: Entry Description (6081<sub>h</sub>)

### 6.1.13 Object 6082<sub>h</sub>: End Velocity

This object indicates the configured velocity normally attained at the end of the deceleration ramp during a profiled motion and is valid for both directions of motion. The end velocity is the velocity used when reaching the new position. It is given in internal or user specific units (depending on object 208C<sub>h</sub>, section 4.2.37).

Object Description			
Index	Name	Object Type	Data Type
6082 <sub>h</sub>	End Velocity	Variable	SIGNED32

Table 265: Object Description (6082<sub>h</sub>)

Entry Description				
Sub-index	Access	PDO Mapping	Value Range	Default Value
0	rw	no	SIGNED32	0

Table 266: Entry Description (6082<sub>h</sub>)



### 6.1.14 Object 6083<sub>h</sub>: Profile Acceleration

This object indicates the configured acceleration. Object 6083<sub>h</sub> sets the maximum acceleration to be used in profile positioning and in profile velocity mode.

The units for object 6083<sub>h</sub> can be chosen with object 208E<sub>h</sub>, described in section 4.2.38.

Object Description			
Index	Name	Object Type	Data Type
6083 <sub>h</sub>	Profile Acceleration	Variable	SIGNED32

Table 267: Object Description (6083<sub>h</sub>)

Entry Description				
Sub-index	Access	PDO Mapping	Value Range	Default Value
0	rw	no	SIGNED32	0

Table 268: Entry Description (6083<sub>h</sub>)

### 6.1.15 Object 6084<sub>h</sub>: Profile Deceleration

This object indicates the configured deceleration. Object 6084<sub>h</sub> sets the maximum deceleration to be used in profile positioning mode and in profile velocity mode.

The units for object 6084<sub>h</sub> can be chosen with object 208E<sub>h</sub>, described in section 4.2.38.

Object Description			
Index	Name	Object Type	Data Type
6084 <sub>h</sub>	Profile Deceleration	Variable	SIGNED32

Table 269: Object Description (6084<sub>h</sub>)

Entry Description				
Sub-index	Access	PDO Mapping	Value Range	Default Value
0	rw	no	SIGNED32	0

Table 270: Entry Description (6084<sub>h</sub>)

### 6.1.16 Object 6085<sub>h</sub>: Quick Stop Deceleration

This object indicates the configured deceleration used to stop the motor when the quick stop function is activated and the quick stop code object 605A<sub>h</sub> is set to 2 (or 6). The value is given in the same unit as profile acceleration object 6083<sub>h</sub>.



Object Description			
Index	Name	Object Type	Data Type
6085 <sub>h</sub>	Quick stop deceleration	Variable	UNSIGNED32

Table 271: Object Description (6085<sub>h</sub>)

Entry Description				
Sub-index	Access	PDO Mapping	Value Range	Default Value
0	rw	no	UNSIGNED32	51200

Table 272: Entry Description (6085<sub>h</sub>)

### 6.1.17 Object 6086<sub>h</sub>: Motion Profile Type

This object indicates the configured type of motion profile used to perform a profiled motion. Set this object to 0 to select trapezoid ramps or to 1 for S-shaped ramps.

Value Definition	
Value	Definition
0	Linear (six-point) ramp, trapezoidal profile
1	S-shaped ramp, defined by object 60A4 <sub>h</sub> (section 6.1.18)

Table 273: Value Definitions of Object 6086<sub>h</sub>

Object Description			
Index	Name	Object Type	Data Type
6086 <sub>h</sub>	Motion profile type	Variable	UNSIGNED16

Table 274: Object Description (6086<sub>h</sub>)

Entry Description				
Sub-index	Access	PDO Mapping	Value Range	Default Value
0	rw	no	0/1	0

Table 275: Entry Description (6086<sub>h</sub>)

### 6.1.18 Object 60A4<sub>h</sub>: Profile Jerk

This object indicates the configured set of jerk parameters that shall be used during the profile movement. The bow of S-shaped ramps is set here. Object 60A4<sub>h</sub> can only be used when S-shaped ramps are selected by setting object 6086<sub>h</sub> (section 6.1.17) to 1.



**Note** The TMC4361 motion controller used on the TMC3351 module also offers bow values higher than the 32 bit range. Under most circumstances, the normal 32 bit value range is sufficient. Use object 2015<sub>h</sub> if higher values are required.

Object Description			
Index	Name	Object Type	Data Type
60A4 <sub>h</sub>	Profile Jerk	Array	UNSIGNED32

Table 276: Object Description (60A4<sub>h</sub>)

Entry Description					
Sub-index	Description	Access	PDO Mapping	Value Range	Default Value
0	Highest sub-index supported	ro	no	4	4
1	Profile jerk 1	rw	no	0...2147483647	0
2	Profile jerk 2	rw	no	0...2147483647	0
3	Profile jerk 3	rw	no	0...2147483647	0
4	Profile jerk 4	rw	no	0...2147483647	0

Table 277: Entry Description (60A4<sub>h</sub>)

### 6.1.19 Object 60F2<sub>h</sub>: Positioning Option Code

This object indicates the positioning behaviour in profile position mode. Only bits 0 and 1 (relative option) are supported.

Bit Definitions		
Bit 1	Bit 0	Definition
0	0	Positioning moves shall be performed relative to the preceding (internal absolute) target position.
0	1	Positioning moves shall be performed relative to the actual position demand value (object 6063 <sub>h</sub> ).
1	0	Positioning moves shall be performed relative to the position actual value (object 6064 <sub>h</sub> ).
1	1	reserved

Table 278: Bit Definitions of Object 60F2<sub>h</sub>



Object Description			
Index	Name	Object Type	Data Type
60F2 <sub>h</sub>	Positioning option code	Variable	UNSIGNED16

Table 279: Object Description (60F2<sub>h</sub>)

Entry Description				
Sub-index	Access	PDO Mapping	Value Range	Default Value
0	rw	no	UNSIGNED16	0

Table 280: Entry Description (60F2<sub>h</sub>)

## 6.2 How to move a Motor in pp Mode

Here is a little example that shows how to get a motor running in pp mode. In this little example we assume that the module has been reset (and then switched to pre-operational or operational) by NMT commands before. Please note that the values are decimal.

- If you do not have any limit switches connected, first disable the limit switch inputs by writing 3 to object 2005<sub>h</sub>.
- Select pp mode by writing 1 to object 6060<sub>h</sub>.
- Write 6 to object 6040<sub>h</sub> to switch to READY\_TO\_SWITCH\_ON state.
- Write 7 to object 6040<sub>h</sub> to switch to SWITCHED\_ON state.
- Write 15 to object 6040<sub>h</sub> to switch to OPERATION\_ENABLED state.
- Write the desired target position (e.g. 500000) to object 607A<sub>h</sub>.
- Mark the new target position as active by writing 31 to object 6040<sub>h</sub>. The motor starts moving now.
- Reset the activation by writing 15 to object 6040<sub>h</sub> (this can be done while the motor is still moving).





## 7 Profile Velocity Mode

The profile velocity mode is used to control the velocity of the drive without a special regard of the position. It contains limit functions and trajectory generation.

The profile velocity mode covers the following sub-functions:

- Demand value input via trajectory generator.
- Monitoring of the profile velocity using a window-function.
- Monitoring of velocity actual value using a threshold.

The operation of the reference value generator and its input parameters include:

- Profile velocity
- Profile acceleration
- Profile deceleration
- Emergency stop
- Motion profile type

### 7.1 Detailed Object Specifications

#### 7.1.1 Object 6040<sub>n</sub>: Control Word

This object indicates the received command controlling the power drive system finite state automaton (PDS FSA). The CiA-402 state machine can be controlled using this object. Please refer to figure 13 for detailed information.

In pv mode the control word does not contain any operation mode specific bits.

Structure of the Control Word											
15	11	10	9	8	7	6	4	3	2	1	0
nu	r	r	h	fr	r	eo	qs	ev	so		
MSB										LSB	

Legend: nu=not used; r=reserved; h=halt; fr=fault reset; eo=enable operation; qs=quick stop; ev=enable voltage; so=switch on.

Table 281: Structure of the Control Word in pv Mode



Command Coding						
Command	Bits of Control Word					Transitions
	Bit 7	Bit 3	Bit 2	Bit 1	Bit 0	
Shutdown	0	x	1	1	0	2,6,8
Switch on	0	0	1	1	1	3
Switch on & enable operation	0	1	1	1	1	3, 4
Disable voltage	0	x	x	0	x	7,9,10,12
Quick stop	0	x	0	1	x	7,10,11
Disable operation	0	0	1	1	1	5
Enable operation	0	1	1	1	1	4, 16
Fault reset	0-to-1	x	x	x	x	15

Table 282: Command Coding

Object Description			
Index	Name	Object Type	Data Type
6040 <sub>h</sub>	Controlword	Variable	UNSIGNED16

Table 283: Object Description (6040<sub>h</sub> in pv Mode)

Entry Description				
Sub-index	Access	PDO Mapping	Value Range	Default Value
0	rw	see CiA402-3	See command coding above.	

Table 284: Entry Description (6040<sub>h</sub> in pv Mode)

### 7.1.2 Object 6041<sub>h</sub>: Status Word

This object provides the status of the PDS FSA. It reflects the status of the CiA-402 state machine. Please refer to figure 13 for detailed information. The object is structured as defined below. For more information about the coding please refer to the CANopen Drives and motion control device profile, part 2.

Structure of the Status Word															
15	14	13	12	11	10	9	8	7	6	5	4	3	2	1	0
dir	mot	oms	ila	tr	rm	ms	w	sod	qs	ve	f	oe	so	rtso	
MSB														LSB	

Legend: nu=not used; r=reserved; oms=operation mode specific; h=halt; fr=fault reset; oe=operation enable; qs=quick stop; ve=voltage enable; so=switch on.

Table 285: Structure of the Status Word in pv Mode



Trinamic Specific Bits		
Bit	Name	Definition
14	Motor activity	0: Motor stands still. 1: Motor rotates.
15	Direction of rotation	This bit shows the direction of rotation.

*Table 286: Trinamic Specific Bits*

Operation Mode specific Bits in pv Mode		
Bit	Name	Definition
10	Target reached	Indicates that the target speed has been reached.
12	Speed	Not supported.
13	Max. slippage error	Not supported.

*Table 287: Operation Mode specific Bits in pv Mode*

State Coding	
Status word	FSA state
xxxx xxxx x0xx 0000 <sub>h</sub>	Not ready to switch on
xxxx xxxx x1xx 0000 <sub>h</sub>	Switch on disabled
xxxx xxxx x01x 0001 <sub>h</sub>	Ready to switch on
xxxx xxxx x01x 0011 <sub>h</sub>	Switched on
xxxx xxxx x01x 0111 <sub>h</sub>	Operation enabled
xxxx xxxx x00x 0111 <sub>h</sub>	Quick stop active
xxxx xxxx x0xx 1111 <sub>h</sub>	Fault reaction active
xxxx xxxx x0xx 1000 <sub>h</sub>	Fault

*Table 288: State Coding*

Object Description			
Index	Name	Object Type	Data Type
6041 <sub>h</sub>	Controlword	Variable	UNSIGNED16

*Table 289: Object Description (6041<sub>h</sub> in pv Mode)*



Entry Description				
Sub-index	Access	PDO Mapping	Value Range	Default Value
0	rw	see CiA402-3	See state coding above	

Table 290: Entry Description (6041<sub>h</sub> in pv Mode)

### 7.1.3 Object 6062<sub>h</sub>: Position Demand Value

This object provides the demanded position value. The value is given in microsteps. Object 6062<sub>h</sub> indicates the actual position that the motor should have. It is not to be confused with objects 6063<sub>h</sub> and 6064<sub>h</sub>.

Object Description			
Index	Name	Object Type	Data Type
6062 <sub>h</sub>	Position Demand Value	Variable	SIGNED32

Table 291: Object Description (6062<sub>h</sub>)

Entry Description				
Sub-index	Access	PDO Mapping	Value Range	Default Value
0	ro	Refer to CiA402-3	SIGNED32	no

Table 292: Entry Description (6062<sub>h</sub>)

### 7.1.4 Object 6063<sub>h</sub>: Position Actual Internal Value

This object provides the actual value of the encoder or the motor. Please use the sensor selection object 606A<sub>h</sub> (see section 5.1.8) for selecting the motor or the encoder first. Object 6063<sub>h</sub> indicates the actual position of the encoder or the motor, re-scaled to the microstep resolution. The value is given in microsteps.

Object Description			
Index	Name	Object Type	Data Type
6063 <sub>h</sub>	Position Actual Internal Value	Variable	SIGNED32

Table 293: Object Description (6063<sub>h</sub>)

Entry Description				
Sub-index	Access	PDO Mapping	Value Range	Default Value
0	ro	Refer to CiA402-3	SIGNED32	no

Table 294: Entry Description (6063<sub>h</sub>)

### 7.1.5 Object 6064<sub>h</sub>: Position Actual Value

This object provides the actual value of the position measurement device. It always contains the same value as object 6063<sub>h</sub>.

Object Description			
Index	Name	Object Type	Data Type
6064 <sub>h</sub>	Position Actual Value	Variable	SIGNED32

Table 295: Object Description (6064<sub>h</sub>)

Entry Description				
Sub-index	Access	PDO Mapping	Value Range	Default Value
0	ro	Refer to CiA402-3	SIGNED32	no

Table 296: Entry Description (6064<sub>h</sub>)

### 7.1.6 Object 6065<sub>h</sub>: Following Error Window

This object indicates the configured range of tolerated position values symmetrically to the position demand value. If the position actual value is out of the following error window, a following error occurs. A following error may occur when a drive is blocked, unreachable profile velocity occurs, or at wrong closed-loop coefficients. The value shall be given in microsteps.

When the difference between motor position (object 6062<sub>h</sub>) and encoder position (object 6063<sub>h</sub> or 6064<sub>h</sub>) is greater than the value set here, the motor will be stopped and an emergency message will be sent. Setting this object to zero will turn off this feature completely.

---

**Note** Setting this object to a too low value will lead to false alarms.

---

Object Description			
Index	Name	Object Type	Data Type
6065 <sub>h</sub>	Following Error Window	Variable	UNSIGNED32

Table 297: Object Description (6065<sub>h</sub>)

Entry Description				
Sub-index	Access	PDO Mapping	Value Range	Default Value
0	rw	no	0...2147483647	0

Table 298: Entry Description (6065<sub>h</sub>)



### 7.1.7 Object 606C<sub>h</sub>: Velocity Actual Value

This object shows the actual velocity value of the motor. The value is given in internal or user-defined velocity units (depending on object 208C<sub>h</sub>, described in section 4.2.37).

Object Description			
Index	Name	Object Type	Data Type
606C <sub>h</sub>	Velocity Actual Value	Variable	SIGNED32

Table 299: Object Description (606C<sub>h</sub>)

Entry Description				
Sub-index	Access	PDO Mapping	Value Range	Default Value
0	ro	Refer to CiA402-3	SIGNED32	no

Table 300: Entry Description (606C<sub>h</sub>)

### 7.1.8 Object 607D<sub>h</sub>: Software Position Limit

This object indicates the configured maximal and minimal software position limits. These parameters define the absolute position limits for the position demand value and the position actual value. Every new target position is checked against these limits. The limit positions are always relative to the machine home position. Before being compared with the target position, they are corrected internally by the home offset as follows:

$$\text{Corrected\_min\_position\_limit} = \text{min\_position\_limit} - \text{home\_offset}$$

$$\text{Corrected\_max\_position\_limit} = \text{max\_position\_limit} - \text{home\_offset}$$

Object Description			
Index	Name	Object Type	Data Type
607D <sub>h</sub>	Software Position Limit	Array	SIGNED32

Table 301: Object Description (607D<sub>h</sub>)

Entry Description					
Sub-index	Description	Access	PDO Mapping	Value Range	Default Value
1	Minimum Position Limit	rw	no	SIGNED32	-2147483648
2	Maximum Position Limit	rw	no	SIGNED32	2147483647

Table 302: Entry Description (607D<sub>h</sub>)



### 7.1.9 Object 6083<sub>h</sub>: Profile Acceleration

This object indicates the configured acceleration. Object 6083<sub>h</sub> sets the maximum acceleration to be used in profile positioning and in profile velocity mode.

The units for object 6083<sub>h</sub> can be chosen with object 208E<sub>h</sub>, described in section 4.2.38.

Object Description			
Index	Name	Object Type	Data Type
6083 <sub>h</sub>	Profile Acceleration	Variable	SIGNED32

Table 303: Object Description (6083<sub>h</sub>)

Entry Description				
Sub-index	Access	PDO Mapping	Value Range	Default Value
0	rw	no	SIGNED32	0

Table 304: Entry Description (6083<sub>h</sub>)

### 7.1.10 Object 6084<sub>h</sub>: Profile Deceleration

This object indicates the configured deceleration. Object 6084<sub>h</sub> sets the maximum deceleration to be used in profile positioning mode and in profile velocity mode.

The units for object 6084<sub>h</sub> can be chosen with object 208E<sub>h</sub>, described in section 4.2.38.

Object Description			
Index	Name	Object Type	Data Type
6084 <sub>h</sub>	Profile Deceleration	Variable	SIGNED32

Table 305: Object Description (6084<sub>h</sub>)

Entry Description				
Sub-index	Access	PDO Mapping	Value Range	Default Value
0	rw	no	SIGNED32	0

Table 306: Entry Description (6084<sub>h</sub>)

### 7.1.11 Object 6085<sub>h</sub>: Quick Stop Deceleration

This object indicates the configured deceleration used to stop the motor when the quick stop function is activated and the quick stop code object 605A<sub>h</sub> is set to 2 (or 6). The value is given in the same unit as profile acceleration object 6083<sub>h</sub>.



Object Description			
Index	Name	Object Type	Data Type
6085 <sub>h</sub>	Quick stop deceleration	Variable	UNSIGNED32

Table 307: Object Description (6085<sub>h</sub>)

Entry Description				
Sub-index	Access	PDO Mapping	Value Range	Default Value
0	rw	no	UNSIGNED32	51200

Table 308: Entry Description (6085<sub>h</sub>)

### 7.1.12 Object 6086<sub>h</sub>: Motion Profile Type

This object indicates the configured type of motion profile used to perform a profiled motion. Set this object to 0 to select trapezoid ramps or to 1 for S-shaped ramps.

Value Definition	
Value	Definition
0	Linear (six-point) ramp, trapezoidal profile
1	S-shaped ramp, defined by object 60A4 <sub>h</sub> (section 7.1.13)

Table 309: Value Definitions of Object 6086<sub>h</sub>

Object Description			
Index	Name	Object Type	Data Type
6086 <sub>h</sub>	Motion profile type	Variable	UNSIGNED16

Table 310: Object Description (6086<sub>h</sub>)

Entry Description				
Sub-index	Access	PDO Mapping	Value Range	Default Value
0	rw	no	0/1	0

Table 311: Entry Description (6086<sub>h</sub>)

### 7.1.13 Object 60A4<sub>h</sub>: Profile Jerk

This object indicates the configured set of jerk parameters that shall be used during the profile movement. The bow of S-shaped ramps is set here. Object 60A4<sub>h</sub> can only be used when S-shaped ramps are selected by setting object 6086<sub>h</sub> (section 7.1.12) to 1.





**Note** The TMC4361 motion controller used on the TMC3351 module also offers bow values higher than the 32 bit range. Under most circumstances, the normal 32 bit value range is sufficient. Use object 2015<sub>h</sub> if higher values are required.

Object Description			
Index	Name	Object Type	Data Type
60A4 <sub>h</sub>	Profile Jerk	Array	UNSIGNED32

Table 312: Object Description (60A4<sub>h</sub>)

Entry Description					
Sub-index	Description	Access	PDO Mapping	Value Range	Default Value
0	Highest sub-index supported	ro	no	4	4
1	Profile jerk 1	rw	no	0...2147483647	0
2	Profile jerk 2	rw	no	0...2147483647	0
3	Profile jerk 3	rw	no	0...2147483647	0
4	Profile jerk 4	rw	no	0...2147483647	0

Table 313: Entry Description (60A4<sub>h</sub>)

### 7.1.14 Object 60FF<sub>h</sub>: Target Velocity

This object indicates the configured target velocity and is used as input for the trajectory generator. Object 60FF<sub>h</sub> sets the target velocity when using profile velocity mode. The drive then accelerates or decelerates to that velocity using the acceleration and deceleration set by objects 6083<sub>h</sub> and 6084<sub>h</sub>. The values are given in units which can be selected with object 208C<sub>h</sub>, described in section 4.2.37.

Object Description			
Index	Name	Object Type	Data Type
60FF <sub>h</sub>	Target Velocity	Variable	SIGNED32

Table 314: Object Description (60FF<sub>h</sub>)

Entry Description				
Sub-index	Access	PDO Mapping	Value Range	Default Value
0	rw	see CiA402-3	SIGNED32	0

Table 315: Entry Description (60FF<sub>h</sub>)



## 7.2 How to move a Motor in pv Mode

Here is a little example that shows how to get a motor running in pv mode. In this little example we assume that the module has been reset (and then switched to pre-operational or operational) by NMT commands before.

- If you do not have any limit switches connected, first disable the limit switch inputs by writing 3 to object 2005<sub>h</sub>.
- Select pv mode by writing 3 to object 6060<sub>h</sub>.
- Write 6 to object 6040<sub>h</sub> to switch to READY\_TO\_SWITCH\_ON state.
- Write 7 to object 6040<sub>h</sub> to switch to SWITCHED\_ON state.
- Write 15 to object 6040<sub>h</sub> to switch to OPERATION\_ENABLED state.
- Write the desired target speed (e.g. 100000) to object 60FF<sub>h</sub>. The motor now accelerates to that speed.
- Stop the motor by writing 0 to object 60FF<sub>h</sub>.



## 8 Homing Mode

This chapter describes the method by which a drive seeks the home position (reference point). There are various methods of achieving this using limit switches at the ends of travel or a home switch in mid-travel. Some methods also use the index (zero) pulse train from an incremental encoder. The user may specify the speeds, acceleration and the method of homing.

There is no output data except for those bits in the statusword which return the status or result of the homing process and the demand to the position control loops.

There are four sources of the homing signal available: these are positive and negative limit switches, the home switch and the index pulse from an encoder.

Figure 14 shows the defined input objects as well as the output objects. The user can specify the speeds, acceleration and method of homing. The home offset object 607C<sub>h</sub> allows displacing the zero in point the coordinate system for the home position.

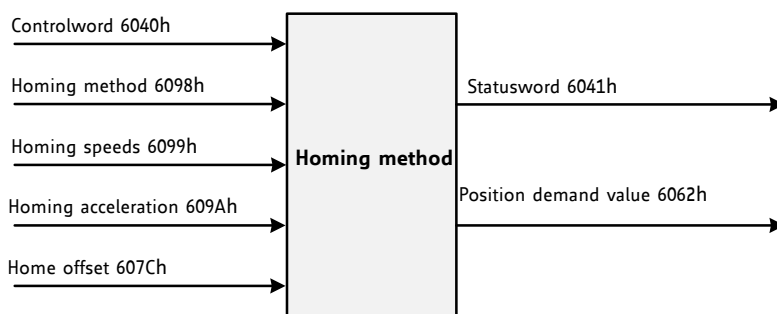


Figure 14: Homing Mode Function

Choosing a homing mode determines the following things:

- The homing signal (positive limit switch, negative limit switch, and home switch).
- The direction of actuation where appropriate.
- The position of the index pulse.

The home position and the zero position are offset by the home offset (see object 607C<sub>h</sub>, section 8.2.4).

Depending on the module there are different sources of homing methods available:

- Negative and positive limit switches.
- Home switch.
- Index pulse of an encoder.

For the operation of positioning drives, an exact knowledge of the absolute position is normally required. Since for cost reasons drives often do not have an absolute encoder, a homing operation is necessary.



## 8.1 Homing Methods

The TMCM-3351 supports a subset of different standard CANopen homing methods. The homing method that is to be used can be chosen via object 6098<sub>h</sub> (section 8.2.5).

Supported Homing Methods	
Method	Description
0	No homing (default value for object 6098 <sub>h</sub> ).
1	Search the left end switch, then search the next encoder index pulse.
2	Search the right end switch, then search the next encoder index pulse.
3	Search the positive edge of the home switch, then search the next encoder index pulse.
5	Search the negative edge of the home switch, then search the next encoder index pulse.
17	Search the left end switch.
18	Search the right end switch.
19	Search the positive edge of the home switch.
21	Search the negative edge of the home switch.
33	Search next index pulse in negative direction.
34	Search next index pulse in positive direction.
35	The actual position is used as home position. All position values (objects 6062h, 6063h, and 6064h) are set to zero, but the motor will not move.

Table 316: Supported CANopen Homing Methods

When using homing methods that need end switch inputs or home switch inputs please take care of their configuration (object 2005<sub>h</sub>, section 4.2.6).

### 8.1.1 Homing Method 1: Homing on negative Limit Switch and Index Pulse

Using this method, the initial direction of movement shall be leftward if the negative limit switch is inactive (here: low). The home position shall be at the first index pulse to the right of the position where the negative limit switch becomes inactive.

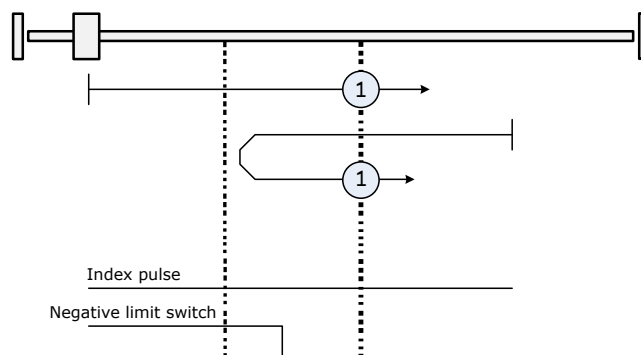


Figure 15: Homing Method 1



### 8.1.2 Homing Method 2: Homing on positive Limit Switch and Index Pulse

Using this method, the initial direction of movement shall be rightward if the positive limit switch is inactive (here: low). The position of home shall be at the first index pulse to the left of the position where the positive limit switch becomes inactive.

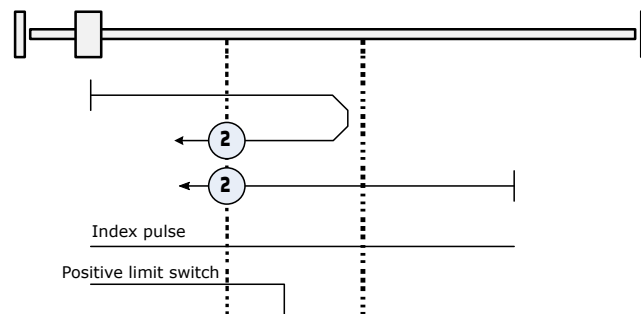


Figure 16: Homing Method 2

### 8.1.3 Homing Method 3: Homing on positive Home Switch and Index Pulse

Using this method, the initial direction of movement shall be dependent on the state of the home switch. The home position shall be at the index pulse to either to the left or the right of the point where the home switch changes state. If the initial position is situated so that the direction of movement shall reverse during homing, the point at which the reversal takes place is anywhere after a change of state of the home switch.

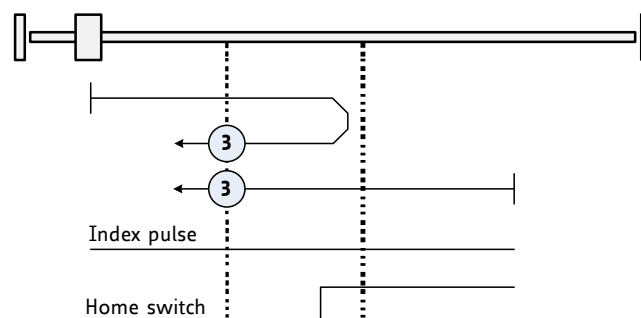


Figure 17: Homing Method 3

### 8.1.4 Homing Method 5: Homing on negative Home Switch and Index Pulse

Using this method, the initial direction of movement shall be dependent on the state of the home switch. The home position shall be at the index pulse to either to the left or the right of the point where the home switch changes state. If the initial position is situated so that the direction of movement shall reverse during homing, the point at which the reversal takes place is anywhere after a change of state of the home switch.



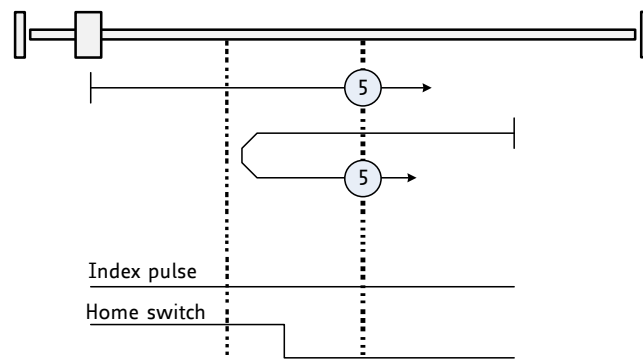


Figure 18: Homing Method 5

### 8.1.5 Homing Method 17: Homing on negative Limit Switch

Using this method, the initial direction of movement shall be leftward if the negative limit switch is inactive (here: low). The home position shall at the point where the negative limit switch becomes inactive.

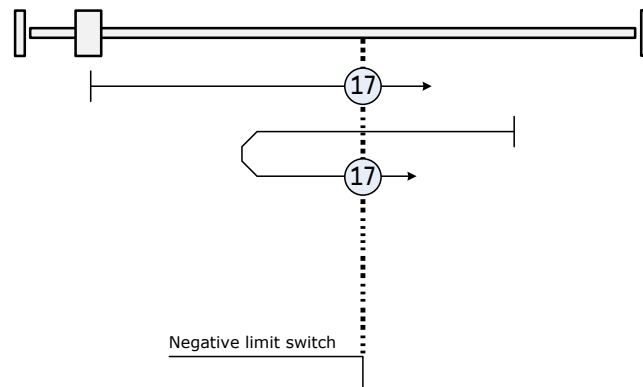


Figure 19: Homing Method 17

### 8.1.6 Homing Method 18: Homing on positive Limit Switch

Using this method, the initial direction of movement shall be rightward if the positive limit switch is inactive (here: low). The home position shall be at point the where the positive limit switch becomes inactive.

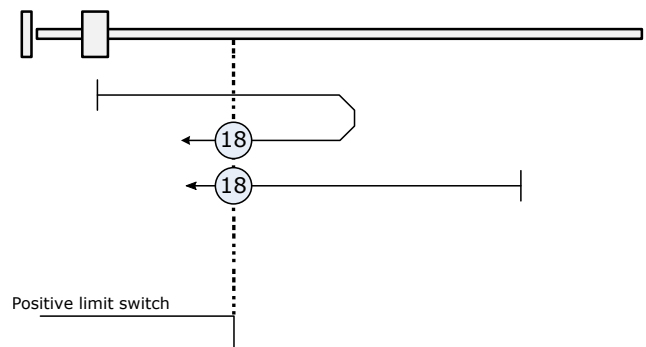


Figure 20: Homing Method 18



### 8.1.7 Homing Method 19: Homing on positive Home Switch

Using this method, the initial direction of movement shall be dependent on the state of the home switch. The home position shall be at the point where the home switch changes state. If the initial direction of movement leads away from the home switch, the drive shall reverse on encountering the relevant limit switch.

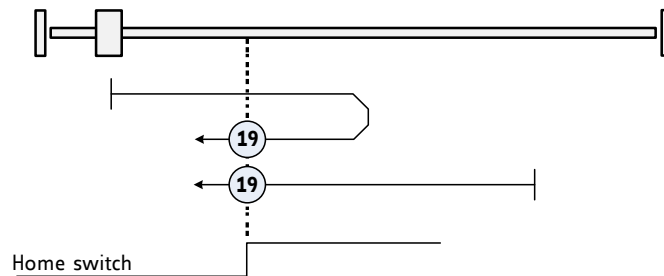


Figure 21: Homing Method 19

### 8.1.8 Homing Method 21: Homing on negative Home Switch

Using this method, the initial direction of movement shall be dependent on the state of the home switch. The home position shall be at the point where the home switch changes state. If the initial direction of movement leads away from the home switch, the drive shall reverse on encountering the relevant limit switch.

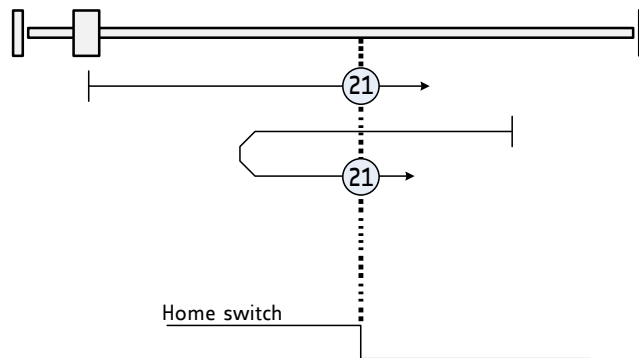


Figure 22: Homing Method 21

### 8.1.9 Homing Method 33 and 34: Homing on next Index Pulse

Using these methods, the direction of homing is negative or positive respectively. The home position shall be at the index pulse found in the selected direction.

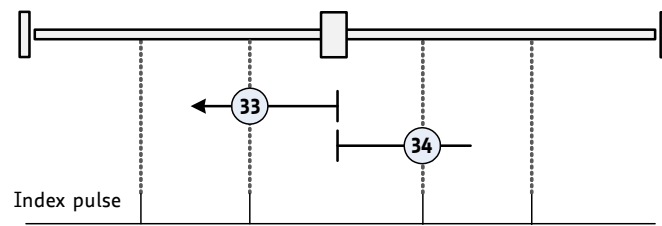


Figure 23: Homing Methods 33 and 34

### 8.1.10 Homing Method 35: Current Position as Home Position

In this method, the current position shall be taken to be the home position. This method does not require the drive device to be in operation enabled state.





## 8.2 Detailed Object Specifications

### 8.2.1 Object 6040<sub>h</sub>: Control Word

This object indicates the received command controlling the power drive system finite state automaton (PDS FSA). The CiA-402 state machine can be controlled using this object. Please refer to figure 13 for detailed information.

Structure of the Control Word											
15	11	10	9	8	7	6	4	3	2	1	0
nu	r	oms	h	fr	oms	eo	qs	ev	so		
MSB						LSB					

Legend: nu=not used; r=reserved; oms=operation mode specific; h=halt; fr=fault reset; eo=enable operation; qs=quick stop; ev=enable voltage; so=switch on.

Table 317: Structure of the Control Word in hm Mode

Operation Mode specific Bits in hm Mode		
Bit	Name	Definition
4	Homing operation start	1: start homing; 0: stop homing
8	Halt	Not supported.

Table 318: Operation Mode specific Bits in hm Mode

Command Coding						
Command	Bits of Control Word					Transitions
	Bit 7	Bit 3	Bit 2	Bit 1	Bit 0	
Shutdown	0	x	1	1	0	2,6,8
Switch on	0	0	1	1	1	3
Switch on & enable operation	0	1	1	1	1	3, 4
Disable voltage	0	x	x	0	x	7,9,10,12
Quick stop	0	x	0	1	x	7,10,11
Disable operation	0	0	1	1	1	5
Enable operation	0	1	1	1	1	4, 16
Fault reset	0-to-1	x	x	x	x	15

Table 319: Command Coding



Object Description			
Index	Name	Object Type	Data Type
6040 <sub>h</sub>	Controlword	Variable	UNSIGNED16

Table 320: Object Description (6040<sub>h</sub> in hm Mode)

Entry Description				
Sub-index	Access	PDO Mapping	Value Range	Default Value
0	rw	see CiA402-3	See command coding above.	

Table 321: Entry Description (6040<sub>h</sub> in hm Mode)

### 8.2.2 Object 6041<sub>h</sub>: Status Word

This object provides the status of the PDS FSA. It reflects the status of the CiA-402 state machine. Please refer to figure 13 for detailed information. The object is structured as defined below. For more information about the coding please refer to the CANopen Drives and motion control device profile, part 2.

Structure of the Status Word															
15	14	13	12	11	10	9	8	7	6	5	4	3	2	1	0
dir	mot	oms	ila	tr	rm	ms	w	sod	qs	ve	f	oe	so	rtso	
MSB														LSB	

Legend: nu=not used; r=reserved; oms=operation mode specific; h=halt; fr=fault reset; oe=operation enable; qs=quick stop; ve=voltage enable; so=switch on.

Table 322: Structure of the Status Word in hm Mode

Trinamic Specific Bits		
Bit	Name	Definition
14	Motor activity	0: Motor stands still. 1: Motor rotates.
15	Direction of rotation	This bit shows the direction of rotation.

Table 323: Trinamic Specific Bits



Operation Mode specific Bits in hm Mode		
Bit	Name	Definition
10	Target reached	Set when the zero position has been found or homing has been stopped by setting controlword bit 4 to zero.
12	Home attained	Set when zero position has been found.
13	Homing error	Not supported.

Table 324: Operation Mode specific Bits in hm Mode

State Coding	
Status word	FSA state
xxxx xxxx x0xx 0000 <sub>h</sub>	Not ready to switch on
xxxx xxxx x1xx 0000 <sub>h</sub>	Switch on disabled
xxxx xxxx x01x 0001 <sub>h</sub>	Ready to switch on
xxxx xxxx x01x 0011 <sub>h</sub>	Switched on
xxxx xxxx x01x 0111 <sub>h</sub>	Operation enabled
xxxx xxxx x00x 0111 <sub>h</sub>	Quick stop active
xxxx xxxx x0xx 1111 <sub>h</sub>	Fault reaction active
xxxx xxxx x0xx 1000 <sub>h</sub>	Fault

Table 325: State Coding

Object Description			
Index	Name	Object Type	Data Type
6041 <sub>h</sub>	Controlword	Variable	UNSIGNED16

Table 326: Object Description (6041<sub>h</sub> in hm Mode)

Entry Description				
Sub-index	Access	PDO Mapping	Value Range	Default Value
0	rw	see CiA402-3	See state coding above.	

Table 327: Entry Description (6041<sub>h</sub> in hm Mode)

### 8.2.3 Object 606C<sub>h</sub>: Velocity Actual Value

This object shows the actual velocity value of the motor. The value is given in internal or user-defined velocity units (depending on object 208C<sub>h</sub>, described in section 4.2.37).



Object Description			
Index	Name	Object Type	Data Type
606C <sub>h</sub>	Velocity Actual Value	Variable	SIGNED32

Table 328: Object Description (606C<sub>h</sub>)

Entry Description				
Sub-index	Access	PDO Mapping	Value Range	Default Value
0	ro	Refer to CiA402-3	SIGNED32	no

Table 329: Entry Description (606C<sub>h</sub>)

### 8.2.4 Object 607C<sub>h</sub>: Home Offset

This object indicates the configured difference between the zero position for the application and the machine home position/home switch (found during homing). While homing, the machine home position is found and once the homing is completed, the zero position is offset from the home position by adding the home offset to the home position. The effect of setting the home position to a non-zero value depends on the selected homing method. The value of this object is given in microsteps. Negative values indicate the opposite direction.

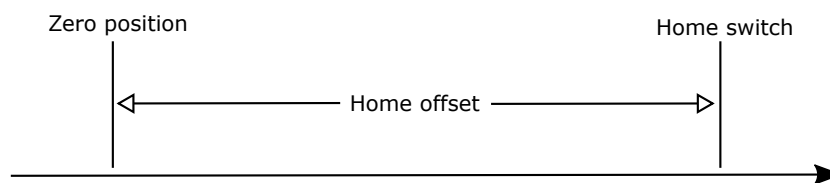


Figure 24: Home Offset

Object Description			
Index	Name	Object Type	Data Type
607C <sub>h</sub>	Home offset	Variable	SIGNED32

Table 330: Object Description (607C<sub>h</sub>)

Entry Description				
Sub-index	Access	PDO Mapping	Value Range	Default Value
0	rw	no	SIGNED32	0

Table 331: Entry Description (607C<sub>h</sub>)



### 8.2.5 Object 6098<sub>h</sub>: Homing Method

The homing method to be used can be selected by writing to this object. Please see table 316 for a list of homing methods supported by the current version of the TMCM-3351 CANopen firmware.

Object Description			
Index	Name	Object Type	Data Type
6098 <sub>h</sub>	Homing method	Variable	SIGNED8

Table 332: Object Description (6098<sub>h</sub>)

Entry Description				
Sub-index	Access	PDO Mapping	Value Range	Default Value
0	rw	no	SIGNED8	0

Table 333: Entry Description (6098<sub>h</sub>)

### 8.2.6 Object 6099<sub>h</sub>: Homing Speeds

This object indicates the configured speeds used during homing procedure. The values are given in pps units or internal units selectable with object 208C<sub>h</sub> (section 4.2.37). Using object 6099<sub>h</sub> a fast and a slow homing speed can be set. In most homing modes, the home switch is searched with the fast speed first. When the home switch has been found, the motor will be decelerated to the slow speed (using the homing acceleration, object 609A<sub>h</sub>) to search for the exact switch point. When the switch point has been found the motor will be stopped at that point.

Object Description			
Index	Name	Object Type	Data Type
6099 <sub>h</sub>	Homing speeds	Array	UNSIGNED32

Table 334: Object Description (6099<sub>h</sub>)

Entry Description					
Sub-index	Description	Access	PDO Mapping	Value Range	Default Value
1	Fast homing speed	rw	no	UNSIGNED32	0
2	Slow homing speed	rw	no	UNSIGNED32	0

Table 335: Entry Description (6099<sub>h</sub>)

### 8.2.7 Object 609A<sub>h</sub>: Homing Acceleration

This object indicates the configured acceleration and deceleration to be used during homing operation. The value is given in units selected by object 208E<sub>h</sub> (section 4.2.38).



Object Description			
Index	Name	Object Type	Data Type
609A <sub>h</sub>	Homing acceleration	Variable	UNSIGNED32

Table 336: Object Description (609A<sub>h</sub>)

Entry Description				
Sub-index	Access	PDO Mapping	Value Range	Default Value
0	rw	no	UNSIGNED32	0

Table 337: Entry Description (609A<sub>h</sub>)

### 8.3 How to start a Homing in hm Mode

Here is a little example that shows how to home the motor in hm mode. In this little example we assume that the module has been reset (and then switched to pre-operational or operational) by NMT commands before. The home switch must be connected to the home switch input. It can be operated manually.

- Select hm mode by writing 6 to object 6060<sub>h</sub>.
- Write 6 to object 6040<sub>h</sub> to switch to READY\_TO\_SWITCH\_ON state.
- Write 7 to object 6040<sub>h</sub> to switch to SWITCHED\_ON state.
- Write 15 to object 6040<sub>h</sub> to switch to OPERATION\_ENABLED state.
- Select homing method 19 by writing 19 to object 6098<sub>h</sub>.
- Set the homing speeds by writing e.g. 50000 to object 6099<sub>h</sub> sub index 1 and e.g. 10000 to object 6099<sub>h</sub> sub index 2.
- Write 31 to object 6040<sub>h</sub> to start the homing process.
- Press and release the home switch.
- When homing has finished, write 15 to object 6040<sub>h</sub> again.



## 9 Cyclic synchronous Position Mode

The cyclic synchronous position mode is used to directly control the position of the motor. It contains limit functions, but not a trajectory generator. The trajectory generator is located in the control device (the master), not in the drive device. In cyclic synchronous manner, the control device provides a target position to the drive device, which performs position control, velocity control and torque control.

The main control parameters are the target position (object 607A<sub>h</sub>, see section 9.1.7) and the interpolation time period (object 60C2<sub>h</sub>, see section 9.1.10). The drive automatically sets the velocity in such a manner that the next target position is reached within the interpolation time period. Acceleration and deceleration ramps are not used in this mode.

The cyclic synchronous position mode covers the following sub-functions:

- Position demand value input directly via an object.
- Monitoring of the position.
- Limiting the position using the software limits or the hardware limit switches.

### 9.1 Detailed Object Specifications

#### 9.1.1 Object 6040<sub>h</sub>: Control Word

This object indicates the received command controlling the power drive system finite state automaton (PDS FSA). The CiA-402 state machine can be controlled using this object. Please refer to figure 13 for detailed information. The cyclic synchronous position mode does not use any mode specific bits of the control word.

Structure of the Control Word									
15	9	8	7	6	4	3	2	1	0
nu	h	fr	nu	eo	qs	ev	so		
MSB					LSB				

Legend: nu=not used; h=halt; fr=fault reset; eo=enable operation; qs=quick stop; ev=enable voltage; so=switch on.

Table 338: Structure of the Control Word in csp Mode



Command Coding						
Command	Bits of Control Word					Transitions
	Bit 7	Bit 3	Bit 2	Bit 1	Bit 0	
Shutdown	0	x	1	1	0	2,6,8
Switch on	0	0	1	1	1	3
Switch on & enable operation	0	1	1	1	1	3, 4
Disable voltage	0	x	x	0	x	7,9,10,12
Quick stop	0	x	0	1	x	7,10,11
Disable operation	0	0	1	1	1	5
Enable operation	0	1	1	1	1	4, 16
Fault reset	0-to-1	x	x	x	x	15

Table 339: Command Coding

Object Description			
Index	Name	Object Type	Data Type
6040 <sub>h</sub>	Controlword	Variable	UNSIGNED16

Table 340: Object Description (6040<sub>h</sub> in csp Mode)

Entry Description				
Sub-index	Access	PDO Mapping	Value Range	Default Value
0	rw	see CiA402-3	See command coding above.	

Table 341: Entry Description (6040<sub>h</sub> in csp Mode)

### 9.1.2 Object 6041<sub>h</sub>: Status Word

This object provides the status of the PDS FSA. It reflects the status of the CiA-402 state machine. Please refer to figure 13 for detailed information. The object is structured as defined below. For more information about the coding please refer to the CANopen Drives and motion control device profile, part 2.

Structure of the Status Word															
15	14	13	12	11	10	9	8	7	6	5	4	3	2	1	0
dir	mot	oms	ila	r	rm	ms	w	sod	qs	ve	f	oe	so	rtso	
MSB														LSB	

Legend: nu=not used; r=reserved; oms=operation mode specific; h=halt; fr=fault reset; oe=operation enable; qs=quick stop; ve=voltage enable; so=switch on.

Table 342: Structure of the Status Word in csp Mode





Trinamic Specific Bits		
Bit	Name	Definition
14	Motor activity	0: Motor stands still. 1: Motor rotates.
15	Direction of rotation	This bit shows the direction of rotation.

Table 343: Trinamic Specific Bits

Operation Mode specific Bits in csp Mode		
Bit	Name	Definition
10	Reserved	Not used.
12	Target position ignored	0: Target position ignored. 1: Target position used as input to position controller.
13	Following error	0: No following error. 1: Following error.

Table 344: Operation Mode specific Bits in csp Mode

State Coding	
Status word	FSA state
xxxx xxxx x0xx 0000 <sub>h</sub>	Not ready to switch on
xxxx xxxx x1xx 0000 <sub>h</sub>	Switch on disabled
xxxx xxxx x01x 0001 <sub>h</sub>	Ready to switch on
xxxx xxxx x01x 0011 <sub>h</sub>	Switched on
xxxx xxxx x01x 0111 <sub>h</sub>	Operation enabled
xxxx xxxx x00x 0111 <sub>h</sub>	Quick stop active
xxxx xxxx x0xx 1111 <sub>h</sub>	Fault reaction active
xxxx xxxx x0xx 1000 <sub>h</sub>	Fault

Table 345: State Coding

Object Description			
Index	Name	Object Type	Data Type
6041 <sub>h</sub>	Controlword	Variable	UNSIGNED16

Table 346: Object Description (6041<sub>h</sub> in csp Mode)



Entry Description				
Sub-index	Access	PDO Mapping	Value Range	Default Value
0	rw	see CiA402-3	See state coding above	

Table 347: Entry Description (6041<sub>h</sub> in csp Mode)

### 9.1.3 Object 6062<sub>h</sub>: Position Demand Value

This object provides the demanded position value. The value is given in microsteps. Object 6062<sub>h</sub> indicates the actual position that the motor should have. It is not to be confused with objects 6063<sub>h</sub> and 6064<sub>h</sub>.

Object Description			
Index	Name	Object Type	Data Type
6062 <sub>h</sub>	Position Demand Value	Variable	SIGNED32

Table 348: Object Description (6062<sub>h</sub>)

Entry Description				
Sub-index	Access	PDO Mapping	Value Range	Default Value
0	ro	Refer to CiA402-3	SIGNED32	no

Table 349: Entry Description (6062<sub>h</sub>)

### 9.1.4 Object 6063<sub>h</sub>: Position Actual Internal Value

This object provides the actual value of the encoder or the motor. Please use the sensor selection object 606A<sub>h</sub> (see section 5.1.8) for selecting the motor or the encoder first. Object 6063<sub>h</sub> indicates the actual position of the encoder or the motor, re-scaled to the microstep resolution. The value is given in microsteps.

Object Description			
Index	Name	Object Type	Data Type
6063 <sub>h</sub>	Position Actual Internal Value	Variable	SIGNED32

Table 350: Object Description (6063<sub>h</sub>)

Entry Description				
Sub-index	Access	PDO Mapping	Value Range	Default Value
0	ro	Refer to CiA402-3	SIGNED32	no

Table 351: Entry Description (6063<sub>h</sub>)

### 9.1.5 Object 6064<sub>h</sub>: Position Actual Value

This object provides the actual value of the position measurement device. It always contains the same value as object 6063<sub>h</sub>.

Object Description			
Index	Name	Object Type	Data Type
6064 <sub>h</sub>	Position Actual Value	Variable	SIGNED32

Table 352: Object Description (6064<sub>h</sub>)

Entry Description				
Sub-index	Access	PDO Mapping	Value Range	Default Value
0	ro	Refer to CiA402-3	SIGNED32	no

Table 353: Entry Description (6064<sub>h</sub>)

### 9.1.6 Object 606C<sub>h</sub>: Velocity Actual Value

This object shows the actual velocity value of the motor. The value is given in internal or user-defined velocity units (depending on object 208C<sub>h</sub>, described in section 4.2.37).

Object Description			
Index	Name	Object Type	Data Type
606C <sub>h</sub>	Velocity Actual Value	Variable	SIGNED32

Table 354: Object Description (606C<sub>h</sub>)

Entry Description				
Sub-index	Access	PDO Mapping	Value Range	Default Value
0	ro	Refer to CiA402-3	SIGNED32	no

Table 355: Entry Description (606C<sub>h</sub>)

### 9.1.7 Object 607A<sub>h</sub>: Target Position

The target position is the position that the drive should move to in cyclic synchronous position mode using the current interpolation time period. In csp mode this value is always interpreted as an absolute value.

Object Description			
Index	Name	Object Type	Data Type
607A <sub>h</sub>	Target Position	Variable	SIGNED32

Table 356: Object Description (607A<sub>h</sub> in csp Mode)



Entry Description				
Sub-index	Access	PDO Mapping	Value Range	Default Value
0	rw	Refer to CiA402-3	SIGNED32	0

Table 357: Entry Description (607A<sub>h</sub> in csp Mode)

### 9.1.8 Object 607D<sub>h</sub>: Software Position Limit

This object indicates the configured maximal and minimal software position limits. These parameters define the absolute position limits for the position demand value and the position actual value. Every new target position is checked against these limits. The limit positions are always relative to the machine home position. Before being compared with the target position, they are corrected internally by the home offset as follows:

$$\text{Corrected\_min\_position\_limit} = \text{min\_position\_limit} - \text{home\_offset}$$

$$\text{Corrected\_max\_position\_limit} = \text{max\_position\_limit} - \text{home\_offset}$$

Object Description			
Index	Name	Object Type	Data Type
607D <sub>h</sub>	Software Position Limit	Array	SIGNED32

Table 358: Object Description (607D<sub>h</sub>)

Entry Description					
Sub-index	Description	Access	PDO Mapping	Value Range	Default Value
1	Minimum Position Limit	rw	no	SIGNED32	-2147483648
2	Maximum Position Limit	rw	no	SIGNED32	2147483647

Table 359: Entry Description (607D<sub>h</sub>)

### 9.1.9 Object 60B0<sub>h</sub>: Position Offset

This object provides an offset to the target position (object 607A<sub>h</sub>, see section 9.1.7). The value is given in microsteps and will be added to the target position.

Object Description			
Index	Name	Object Type	Data Type
60B0 <sub>h</sub>	Offset Torque	Variable	INTEGER32

Table 360: Object Description (60B0<sub>h</sub>)

Entry Description				
Sub-index	Access	PDO Mapping	Value Range	Default Value
0	rw	yes	-2147483648...2147483647	0

Table 361: Entry Description (60B0<sub>h</sub>)

### 9.1.10 Object 60C2<sub>h</sub>: Interpolation Time Period

This object indicates the interpolation cycle time. The interpolation time period (sub-index 01<sub>h</sub>) is given in  $10^{\text{interpolation\_time\_index}}$  s. The interpolation time index (sub-index 02<sub>h</sub>) is dimensionless.

Object Description			
Index	Name	Object Type	Data Type
60C2 <sub>h</sub>	Offset Torque	Vecord	Interpolation time period record (0080 <sub>h</sub> )

Table 362: Object Description (60C2<sub>h</sub>)

Entry Description					
Sub-index	Description	Access	PDO Mapping	Value Range	Default Value
0	Highest sub-index supported	ro	no	UNSIGNED8	2
1	Interpolation time period value	rw	no	UNSIGNED8	1
2	Interpolation time index	rw	no	-3...3	-3

Table 363: Entry Description (60C2<sub>h</sub>)

## 10 Cyclic synchronous Velocity Mode

The cyclic synchronous velocity mode is used to directly control the velocity of the motor. It contains limit functions, but not a trajectory generator. The trajectory generator is located in the control device (the master), not in the drive device. In cyclic synchronous manner, the control device provides a target velocity to the drive device, which performs position control, velocity control and torque control.

The main control parameters are the target velocity (object 60FF<sub>h</sub>, see section 10.1.4) and the interpolation time period (object 60C2<sub>h</sub>, see section 10.1.7). The drive automatically sets the acceleration in such a manner that the next target velocity is reached within the interpolation time period. Acceleration and deceleration ramps are not used in this mode.

The cyclic synchronous velocity mode covers the following sub-functions:

- Velocity demand value input directly via an object.
- Monitoring of the position.
- Limiting the position using the software limits or the hardware limit switches.

### 10.1 Detailed Object Specifications

#### 10.1.1 Object 6040<sub>h</sub>: Control Word

This object indicates the received command controlling the power drive system finite state automaton (PDS FSA). The CiA-402 state machine can be controlled using this object. Please refer to figure 13 for detailed information. The cyclic synchronous velocity mode does not use any mode specific bits of the control word.

Structure of the Control Word									
15	9	8	7	6	4	3	2	1	0
nu		h	fr		nu	eo	qs	ev	so
MSB					LSB				

Legend: nu=not used; h=halt; fr=fault reset; eo=enable operation; qs=quick stop; ev=enable voltage; so=switch on.

Table 364: Structure of the Control Word in csv Mode



Command Coding						
Command	Bits of Control Word					Transitions
	Bit 7	Bit 3	Bit 2	Bit 1	Bit 0	
Shutdown	0	x	1	1	0	2,6,8
Switch on	0	0	1	1	1	3
Switch on & enable operation	0	1	1	1	1	3, 4
Disable voltage	0	x	x	0	x	7,9,10,12
Quick stop	0	x	0	1	x	7,10,11
Disable operation	0	0	1	1	1	5
Enable operation	0	1	1	1	1	4, 16
Fault reset	0-to-1	x	x	x	x	15

Table 365: Command Coding

Object Description			
Index	Name	Object Type	Data Type
6040 <sub>h</sub>	Controlword	Variable	UNSIGNED16

Table 366: Object Description (6040<sub>h</sub> in csv Mode)

Entry Description				
Sub-index	Access	PDO Mapping	Value Range	Default Value
0	rw	see CiA402-3	See command coding above.	

Table 367: Entry Description (6040<sub>h</sub> in csv Mode)

### 10.1.2 Object 6041<sub>h</sub>: Status Word

This object provides the status of the PDS FSA. It reflects the status of the CiA-402 state machine. Please refer to figure 13 for detailed information. The object is structured as defined below. For more information about the coding please refer to the CANopen Drives and motion control device profile, part 2.

Structure of the Status Word															
15	14	13	12	11	10	9	8	7	6	5	4	3	2	1	0
dir	mot	oms	ila	r	rm	ms	w	sod	qs	ve	f	oe	so	rtso	
MSB														LSB	

Legend: nu=not used; r=reserved; oms=operation mode specific; h=halt; fr=fault reset; oe=operation enable; qs=quick stop; ve=voltage enable; so=switch on.

Table 368: Structure of the Status Word in csv Mode



Trinamic Specific Bits		
Bit	Name	Definition
14	Motor activity	0: Motor stands still. 1: Motor rotates.
15	Direction of rotation	This bit shows the direction of rotation.

Table 369: Trinamic Specific Bits

Operation Mode specific Bits in csv Mode		
Bit	Name	Definition
10	Reserved	Not used.
12	Target position ignored	0: Target velocity ignored. 1: Target velocity used as input to velocity controller.
13	Reserved	Not used.

Table 370: Operation Mode specific Bits in csv Mode

State Coding	
Status word	FSA state
xxxx xxxx x0xx 0000 <sub>h</sub>	Not ready to switch on
xxxx xxxx x1xx 0000 <sub>h</sub>	Switch on disabled
xxxx xxxx x01x 0001 <sub>h</sub>	Ready to switch on
xxxx xxxx x01x 0011 <sub>h</sub>	Switched on
xxxx xxxx x01x 0111 <sub>h</sub>	Operation enabled
xxxx xxxx x00x 0111 <sub>h</sub>	Quick stop active
xxxx xxxx x0xx 1111 <sub>h</sub>	Fault reaction active
xxxx xxxx x0xx 1000 <sub>h</sub>	Fault

Table 371: State Coding

Object Description			
Index	Name	Object Type	Data Type
6041 <sub>h</sub>	Controlword	Variable	UNSIGNED16

Table 372: Object Description (6041<sub>h</sub> in csv Mode)



Entry Description				
Sub-index	Access	PDO Mapping	Value Range	Default Value
0	rw	see CiA402-3	See state coding above	

Table 373: Entry Description (6041<sub>h</sub> in csv Mode)

### 10.1.3 Object 606C<sub>h</sub>: Velocity Actual Value

This object shows the actual velocity value of the motor. The value is given in internal or user-defined velocity units (depending on object 208C<sub>h</sub>, described in section 4.2.37).

Object Description			
Index	Name	Object Type	Data Type
606C <sub>h</sub>	Velocity Actual Value	Variable	SIGNED32

Table 374: Object Description (606C<sub>h</sub>)

Entry Description				
Sub-index	Access	PDO Mapping	Value Range	Default Value
0	ro	Refer to CiA402-3	SIGNED32	no

Table 375: Entry Description (606C<sub>h</sub>)

### 10.1.4 Object 60FF<sub>h</sub>: Target Velocity

In csv mode the target velocity specifies the velocity that is to be reached within the interpolation time period. The values are given in units which can be selected with object 208C<sub>h</sub>, described in section 4.2.37.

Object Description			
Index	Name	Object Type	Data Type
60FF <sub>h</sub>	Target Velocity	Variable	SIGNED32

Table 376: Object Description (60FF<sub>h</sub>)

Entry Description				
Sub-index	Access	PDO Mapping	Value Range	Default Value
0	rw	see CiA402-3	SIGNED32	0

Table 377: Entry Description (60FF<sub>h</sub>)

### 10.1.5 Object 607D<sub>h</sub>: Software Position Limit

This object indicates the configured maximal and minimal software position limits. These parameters define the absolute position limits for the position demand value and the position actual value. Every new



target position is checked against these limits. The limit positions are always relative to the machine home position. Before being compared with the target position, they are corrected internally by the home offset as follows:

$$\begin{aligned} \text{Corrected\_min\_position\_limit} &= \text{min\_position\_limit} - \text{home\_offset} \\ \text{Corrected\_max\_position\_limit} &= \text{max\_position\_limit} - \text{home\_offset} \end{aligned}$$

Object Description			
Index	Name	Object Type	Data Type
607D <sub>h</sub>	Software Position Limit	Array	SIGNED32

Table 378: Object Description (607D<sub>h</sub>)

Entry Description					
Sub-index	Description	Access	PDO Mapping	Value Range	Default Value
1	Minimum Position Limit	rw	no	SIGNED32	-2147483648
2	Maximum Position Limit	rw	no	SIGNED32	2147483647

Table 379: Entry Description (607D<sub>h</sub>)

### 10.1.6 Object 60B1<sub>h</sub>: Velocity Offset

This object provides an offset to the target velocity (object 60FF<sub>h</sub>, see section 10.1.4)). The value will be added to the target velocity.

Object Description			
Index	Name	Object Type	Data Type
60B1 <sub>h</sub>	Velocity Offset	Variable	INTEGER32

Table 380: Object Description (60B1<sub>h</sub>)

Entry Description				
Sub-index	Access	PDO Mapping	Value Range	Default Value
0	rw	yes	-2147483648...2147483647	0

Table 381: Entry Description (60B1<sub>h</sub>)

### 10.1.7 Object 60C2<sub>h</sub>: Interpolation Time Period

This object indicates the interpolation cycle time. The interpolation time period (sub-index 01<sub>h</sub>) is given in  $10^{\text{interpolation\_time\_index}}$  s. The interpolation time index (sub-index 02<sub>h</sub>) is dimensionless.



Object Description			
Index	Name	Object Type	Data Type
60C2 <sub>h</sub>	Offset Torque	Vecord	Interpolation time period record (0080 <sub>h</sub> )

*Table 382: Object Description (60C2<sub>h</sub>)*

Entry Description					
Sub-index	Description	Access	PDO Mapping	Value Range	Default Value
0	Highest sub-index supported	ro	no	UNSIGNED8	2
1	Interpolation time period value	rw	no	UNSIGNED8	1
2	Interpolation time index	rw	no	-3...3	-3

*Table 383: Entry Description (60C2<sub>h</sub>)*



## 11 Cyclic synchronous Torque Mode

The cyclic synchronous torque mode is used to directly control the torque of the motor, without the need for position or velocity control. It contains limit functions, but not a trajectory generator. The cyclic synchronous torque mode covers the following sub-functions:

- Demand value input directly via an object.
- Monitoring of the torque.
- Limiting the position using the software limits or the hardware limit switches.

### 11.1 Detailed Object Specifications

#### 11.1.1 Object 6040<sub>n</sub>: Control Word

This object indicates the received command controlling the power drive system finite state automaton (PDS FSA). The CiA-402 state machine can be controlled using this object. Please refer to figure 13 for detailed information. The cyclic synchronous torque mode does not use any mode specific bits of the control word.

Structure of the Control Word									
15	9	8	7	6	4	3	2	1	0
nu		h	fr	nu		eo	qs	ev	so
MSB					LSB				

Legend: nu=not used; h=halt; fr=fault reset; eo=enable operation; qs=quick stop; ev=enable voltage; so=switch on.

Table 384: Structure of the Control Word in cst Mode

Command Coding						
Command	Bits of Control Word					Transitions
	Bit 7	Bit 3	Bit 2	Bit 1	Bit 0	
Shutdown	0	x	1	1	0	2,6,8
Switch on	0	0	1	1	1	3
Switch on & enable operation	0	1	1	1	1	3, 4
Disable voltage	0	x	x	0	x	7,9,10,12
Quick stop	0	x	0	1	x	7,10,11
Disable operation	0	0	1	1	1	5
Enable operation	0	1	1	1	1	4, 16
Fault reset	0-to-1	x	x	x	x	15

Table 385: Command Coding



Object Description			
Index	Name	Object Type	Data Type
6040 <sub>h</sub>	Controlword	Variable	UNSIGNED16

Table 386: Object Description (6040<sub>h</sub> in cst Mode)

Entry Description				
Sub-index	Access	PDO Mapping	Value Range	Default Value
0	rw	see CiA402-3	See command coding above.	

Table 387: Entry Description (6040<sub>h</sub> in cst Mode)

### 11.1.2 Object 6041<sub>h</sub>: Status Word

This object provides the status of the PDS FSA. It reflects the status of the CiA-402 state machine. Please refer to figure 13 for detailed information. The object is structured as defined below. For more information about the coding please refer to the CANopen Drives and motion control device profile, part 2.

Structure of the Status Word															
15	14	13	12	11	10	9	8	7	6	5	4	3	2	1	0
dir	mot	oms	ila	r	rm	ms	w	sod	qs	ve	f	oe	so	rtso	
MSB														LSB	

Legend: nu=not used; r=reserved; oms=operation mode specific; h=halt; fr=fault reset; oe=operation enable; qs=quick stop; ve=voltage enable; so=switch on.

Table 388: Structure of the Status Word in cst Mode

Trinamic Specific Bits		
Bit	Name	Definition
14	Motor activity	0: Motor stands still. 1: Motor rotates.
15	Direction of rotation	This bit shows the direction of rotation.

Table 389: Trinamic Specific Bits



Operation Mode specific Bits in cst Mode		
Bit	Name	Definition
10	Reserved	Not used.
12	Target torque ignored	0: Target torque ignored. 1: Target torque used as input to control loop.
13	Reserved	Not used.

Table 390: Operation Mode specific Bits in cst Mode

State Coding	
Status word	FSA state
xxxx xxxx x0xx 0000 <sub>h</sub>	Not ready to switch on
xxxx xxxx x1xx 0000 <sub>h</sub>	Switch on disabled
xxxx xxxx x01x 0001 <sub>h</sub>	Ready to switch on
xxxx xxxx x01x 0011 <sub>h</sub>	Switched on
xxxx xxxx x01x 0111 <sub>h</sub>	Operation enabled
xxxx xxxx x00x 0111 <sub>h</sub>	Quick stop active
xxxx xxxx x0xx 1111 <sub>h</sub>	Fault reaction active
xxxx xxxx x0xx 1000 <sub>h</sub>	Fault

Table 391: State Coding

Object Description			
Index	Name	Object Type	Data Type
6041 <sub>h</sub>	Controlword	Variable	UNSIGNED16

Table 392: Object Description (6041<sub>h</sub> in cst Mode)

Entry Description				
Sub-index	Access	PDO Mapping	Value Range	Default Value
0	rw	see CiA402-3	See state coding above	

Table 393: Entry Description (6041<sub>h</sub> in cst Mode)

### 11.1.3 Object 6062<sub>h</sub>: Position Demand Value

This object provides the demanded position value. The value is given in microsteps. Object 6062<sub>h</sub> indicates the actual position that the motor should have. It is not to be confused with objects 6063<sub>h</sub> and 6064<sub>h</sub>.



Object Description			
Index	Name	Object Type	Data Type
6062 <sub>h</sub>	Position Demand Value	Variable	SIGNED32

Table 394: Object Description (6062<sub>h</sub>)

Entry Description				
Sub-index	Access	PDO Mapping	Value Range	Default Value
0	ro	Refer to CiA402-3	SIGNED32	no

Table 395: Entry Description (6062<sub>h</sub>)

#### 11.1.4 Object 6063<sub>h</sub>: Position Actual Internal Value

This object provides the actual value of the encoder or the motor. Please use the sensor selection object 606A<sub>h</sub> (see section 5.1.8) for selecting the motor or the encoder first. Object 6063<sub>h</sub> indicates the actual position of the encoder or the motor, re-scaled to the microstep resolution. The value is given in microsteps.

Object Description			
Index	Name	Object Type	Data Type
6063 <sub>h</sub>	Position Actual Internal Value	Variable	SIGNED32

Table 396: Object Description (6063<sub>h</sub>)

Entry Description				
Sub-index	Access	PDO Mapping	Value Range	Default Value
0	ro	Refer to CiA402-3	SIGNED32	no

Table 397: Entry Description (6063<sub>h</sub>)

#### 11.1.5 Object 6064<sub>h</sub>: Position Actual Value

This object provides the actual value of the position measurement device. It always contains the same value as object 6063<sub>h</sub>.

Object Description			
Index	Name	Object Type	Data Type
6064 <sub>h</sub>	Position Actual Value	Variable	SIGNED32

Table 398: Object Description (6064<sub>h</sub>)

Entry Description				
Sub-index	Access	PDO Mapping	Value Range	Default Value
0	ro	Refer to CiA402-3	SIGNED32	no

Table 399: Entry Description (6064<sub>h</sub>)

### 11.1.6 Object 6071<sub>h</sub>: Target Torque

This object sets the desired torque value. The value is given in mA.

Object Description			
Index	Name	Object Type	Data Type
6071 <sub>h</sub>	Target torque	Variable	INTEGER16

Table 400: Object Description (6071<sub>h</sub>)

Entry Description				
Sub-index	Access	PDO Mapping	Value Range	Default Value
0	rw	yes	-32768... 32767	0

Table 401: Entry Description (6071<sub>h</sub>)

### 11.1.7 Object 6077<sub>h</sub>: Torque actual Value

This object provides the actual torque value. The value is given in mA.

Object Description			
Index	Name	Object Type	Data Type
6077 <sub>h</sub>	Torque actual Value	Variable	INTEGER16

Table 402: Object Description (6077<sub>h</sub>)

Entry Description				
Sub-index	Access	PDO Mapping	Value Range	Default Value
0	ro	yes	-32768... 32767	0

Table 403: Entry Description (6077<sub>h</sub>)

### 11.1.8 Object 607D<sub>h</sub>: Software Position Limit

This object indicates the configured maximal and minimal software position limits. These parameters define the absolute position limits for the position demand value and the position actual value. Every new





target position is checked against these limits. The limit positions are always relative to the machine home position. Before being compared with the target position, they are corrected internally by the home offset as follows:

$$\begin{aligned} \text{Corrected\_min\_position\_limit} &= \text{min\_position\_limit} - \text{home\_offset} \\ \text{Corrected\_max\_position\_limit} &= \text{max\_position\_limit} - \text{home\_offset} \end{aligned}$$

Object Description			
Index	Name	Object Type	Data Type
607D <sub>h</sub>	Software Position Limit	Array	SIGNED32

Table 404: Object Description (607D<sub>h</sub>)

Entry Description					
Sub-index	Description	Access	PDO Mapping	Value Range	Default Value
1	Minimum Position Limit	rw	no	SIGNED32	-2147483648
2	Maximum Position Limit	rw	no	SIGNED32	2147483647

Table 405: Entry Description (607D<sub>h</sub>)

### 11.1.9 Object 60B2<sub>h</sub>: Torque Offset

This object provides an offset to the torque value. It will be added to the target torque (object 6071<sub>h</sub>, see section 11.1.6).

Object Description			
Index	Name	Object Type	Data Type
60B2 <sub>h</sub>	Offset Torque	Variable	INTEGER16

Table 406: Object Description (60B2<sub>h</sub>)

Entry Description				
Sub-index	Access	PDO Mapping	Value Range	Default Value
0	rw	yes	-32768...32767	0

Table 407: Entry Description (60B2<sub>h</sub>)

### 11.1.10 Object 60C2<sub>h</sub>: Interpolation Time Period

This object indicates the interpolation cycle time. The interpolation time period (sub-index 01<sub>h</sub>) is given in 10<sup>interpolation\_time\_index</sup> s. The interpolation time index (sub-index 02<sub>h</sub>) is dimensionless.



Object Description			
Index	Name	Object Type	Data Type
60C2 <sub>h</sub>	Offset Torque	Vecord	Interpolation time period record (0080 <sub>h</sub> )

*Table 408: Object Description (60C2<sub>h</sub>)*

Entry Description					
Sub-index	Description	Access	PDO Mapping	Value Range	Default Value
0	Highest sub-index supported	ro	no	UNSIGNED8	2
1	Interpolation time period value	rw	no	UNSIGNED8	1
2	Interpolation time index	rw	no	-3...3	-3

*Table 409: Entry Description (60C2<sub>h</sub>)*



## 12 Emergency Messages (EMCY)

The module sends an emergency message if an error occurs. The message contains information about the error type. The module can map internal errors and object 1001<sub>h</sub> (error register) is part of every emergency object.

Please note that the additional byte #2 shows which motor is affected.

Emergency Messages (EMCY) of the TMCM-3351						
Error code	Additional byte					Description
	1	2	3	4	5	
0000 <sub>h</sub>	0	0...2	0	0	0	<b>Fault reset</b> The fault reset command has been executed.
1000 <sub>h</sub>	1	0...2	0	0	0	<b>Generic error: open load bridge A</b> The motor driver indicates open load on bridge A. It is possible that the motor cable is broken or that there is an error in the power amplifier itself.
1000 <sub>h</sub>	2	0...2	0	0	0	<b>Generic error: open load bridge B</b> The motor driver indicates open load on bridge B. It is possible that the motor cable is broken or that there is an error in the power amplifier itself.
2310 <sub>h</sub>	0	0...2	0	0	0	<b>Overcurrent high side</b> The motor driver indicates an overcurrent on the high side. This can be caused by a short circuit in the driver stage.
2311 <sub>h</sub>	0	0...2	0	0	0	<b>Overcurrent bridge B</b> The motor driver indicates that there is overcurrent on bridge B. This can be caused by a short circuit in the motor itself or in the motor driver stage.
2312 <sub>h</sub>	0	0...2	0	0	0	<b>Overcurrent bridge A</b> The motor driver indicates that there is overcurrent on bridge A. This can be caused by a short circuit in the motor itself or in the motor driver stage.
3230 <sub>h</sub>	0	0...2	0	0	0	<b>stallGuard2 error</b> The actual load value exceeds the stallGuard2 limit.
4310 <sub>h</sub>	1	0...2	0	0	0	<b>Overtemperature pre-warning</b> The temperature in the motor driver exceeds the pre-warning limit.
4310 <sub>h</sub>	2	0...2	0	0	0	<b>Overtemperature error</b> The motor driver has been switched off because the temperature limit has been exceeded.
5441 <sub>h</sub>	0	255	0	0	0	<b>Shutdown switch active</b> The enable signal is missing (due to the shutdown switch) and the motor driver has been switched off.
6320 <sub>h</sub>	0	255	0	0	0	<b>Parameter error</b> The data in the received PDO is either wrong or cannot be accepted due to the internal state of the drive.



Error code	Additional byte					Description
	1	2	3	4	5	
8110 <sub>h</sub>	1	255	0	0	0	<b>CAN controller overflow</b> The receive message buffer of the CAN controller hardware is full and some CAN messages are lost.
8110 <sub>h</sub>	2	255	0	0	0	<b>CAN Tx buffer overflow</b> The software CAN transmit buffer is full and thus some CAN messages are lost.
8110 <sub>h</sub>	3	255	0	0	0	<b>CAN Rx buffer overflow</b> The software CAN receive buffer is full and so some CAN messages are lost.
8120 <sub>h</sub>	0	255	0	0	0	<b>CAN error passive</b> The CAN controller has detected communication errors and has entered the CAN Error passive state.
8140 <sub>h</sub>	0	255	0	0	0	<b>CAN controller recovered from bus-off state</b> The CAN controller has detected too many errors and has changed into the bus-off state. The drive has been stopped and disabled. This message is sent after the CAN controller has recovered from bus-off state and is bus-on again.
8611 <sub>h</sub>	0	0...2	0	0	0	<b>Following error</b> The deviation between motor position counter and encoder position counter has exceeded the following error window.
ff00 <sub>h</sub>	0	0...2	0	0	0	<b>Undervoltage</b> The supply voltage is too low to drive a motor.
ff01 <sub>h</sub>	1	0...2	0	0	0	<b>Positive software limit</b> The actual position is outside the range defined by object 607d <sub>h</sub> .
ff01 <sub>h</sub>	2	0...2	0	0	0	<b>Negative software limit</b> The actual position is outside the range defined by object 607d <sub>h</sub> .
ff01 <sub>h</sub>	3	0...2	0	0	0	<b>Positive limit switch</b> The positive limit switch has been touched outside of the homing function.
ff01 <sub>h</sub>	4	0...2	0	0	0	<b>Negative limit switch</b> The negative limit switch has been touched outside of the homing function.

Table 410: Emergency Messages (EMCY)



## 13 Figures Index

1	stallGuard2 Load Measurement as a Function of Load . . . . .	9	12	Brake Output Timing . . . . .	40
2	Energy Efficiency Example with CoolStep . . . . .	10	13	DS402 Finite State Machine . . . . .	81
3	Closed-Loop Control Scheme . . . . .	12	14	Homing Mode Function . . . . .	104
4	Load Angle Control Parameter . . . . .	12	15	Homing Method 1 . . . . .	105
5	Current Level Control . . . . .	13	16	Homing Method 2 . . . . .	106
6	Field Weakening . . . . .	14	17	Homing Method 3 . . . . .	106
7	Position Catch up . . . . .	14	18	Homing Method 5 . . . . .	107
8	NMT State Machine . . . . .	17	19	Homing Method 17 . . . . .	107
9	Communication Architecture . . . . .	18	20	Homing Method 18 . . . . .	107
10	Device Model . . . . .	19	21	Homing Method 19 . . . . .	108
11	CoolStep Adjustment Points and Thresholds . . . . .	37	22	Homing Method 21 . . . . .	108
			23	Homing Methods 33 and 34 . . . . .	109
			24	Home Offset . . . . .	113



## 14 Tables Index

1	Abbreviations used in this Manual . . .	8	53	Entry Description (1A00 <sub>h</sub> ) . . . . .	35
2	Closed-Loop Example Settings . . . . .	11	54	Multi-axis Object Indices (Manufacturer specific Area) . . . . .	36
3	Service Primitives . . . . .	15	55	CoolStep related Objects . . . . .	38
4	Service Types . . . . .	16	56	Object Description (2000 <sub>h</sub> ) . . . . .	39
5	Object Dictionary . . . . .	19	57	Entry Description (2000 <sub>h</sub> ) . . . . .	39
6	Multi-Axis Object Indices . . . . .	20	58	Object Description (2001 <sub>h</sub> ) . . . . .	39
7	Object Description (1000 <sub>h</sub> ) . . . . .	21	59	Entry Description (2001 <sub>h</sub> ) . . . . .	39
8	Entry Description (1000 <sub>h</sub> ) . . . . .	21	60	Object Description (2002 <sub>h</sub> ) . . . . .	40
9	Object Description (1001 <sub>h</sub> ) . . . . .	21	61	Entry Description (2002 <sub>h</sub> ) . . . . .	40
10	Entry Description (1001 <sub>h</sub> ) . . . . .	21	62	Object Description (2003 <sub>h</sub> ) . . . . .	40
11	Error Register Bits . . . . .	22	63	Entry Description (2003 <sub>h</sub> ) . . . . .	40
12	Value Definition (1005 <sub>h</sub> ) . . . . .	22	64	Object Description (2004 <sub>h</sub> ) . . . . .	41
13	Object Description (1005 <sub>h</sub> ) . . . . .	22	65	Entry Description (2004 <sub>h</sub> ) . . . . .	41
14	Entry Description (1005 <sub>h</sub> ) . . . . .	22	66	Object Description (2005 <sub>h</sub> ) . . . . .	41
15	Object Description (1008 <sub>h</sub> ) . . . . .	23	67	Entry Description (2005 <sub>h</sub> ) . . . . .	41
16	Entry Description (1008 <sub>h</sub> ) . . . . .	23	68	Bit Definitions (2005 <sub>h</sub> ) . . . . .	42
17	Object Description (1009 <sub>h</sub> ) . . . . .	23	69	Object Description (200A <sub>h</sub> ) . . . . .	42
18	Entry Description (1009 <sub>h</sub> ) . . . . .	23	70	Entry Description (200A <sub>h</sub> ) . . . . .	42
19	Object Description (100A <sub>h</sub> ) . . . . .	23	71	Object Description (200B <sub>h</sub> ) . . . . .	42
20	Entry Description (100A <sub>h</sub> ) . . . . .	24	72	Entry Description (200B <sub>h</sub> ) . . . . .	43
21	Object Description (100C <sub>h</sub> ) . . . . .	24	73	Object Description (200C <sub>h</sub> ) . . . . .	43
22	Entry Description (100C <sub>h</sub> ) . . . . .	24	74	Entry Description (200C <sub>h</sub> ) . . . . .	43
23	Object Description (100D <sub>h</sub> ) . . . . .	24	75	Object Description (200F <sub>h</sub> ) . . . . .	43
24	Entry Description (100D <sub>h</sub> ) . . . . .	24	76	Entry Description (200F <sub>h</sub> ) . . . . .	44
25	Save Signature . . . . .	25	77	Object Description (2010 <sub>h</sub> ) . . . . .	44
26	Object Description (1010 <sub>h</sub> ) . . . . .	25	78	Entry Description (2010 <sub>h</sub> ) . . . . .	44
27	Entry Description (1010 <sub>h</sub> ) . . . . .	26	79	Object Description (2011 <sub>h</sub> ) . . . . .	44
28	Load Signature . . . . .	26	80	Entry Description (2011 <sub>h</sub> ) . . . . .	44
29	Object Description (1011 <sub>h</sub> ) . . . . .	27	81	Object Description (2012 <sub>h</sub> ) . . . . .	45
30	Entry Description (1011 <sub>h</sub> ) . . . . .	27	82	Entry Description (2012 <sub>h</sub> ) . . . . .	45
31	Object Description (1014 <sub>h</sub> ) . . . . .	27	83	Object Description (2013 <sub>h</sub> ) . . . . .	45
32	Entry Description (1014 <sub>h</sub> ) . . . . .	27	84	Entry Description (2013 <sub>h</sub> ) . . . . .	45
33	Object Description (1015 <sub>h</sub> ) . . . . .	28	85	Object Description (2014 <sub>h</sub> ) . . . . .	45
34	Entry Description (1015 <sub>h</sub> ) . . . . .	28	86	Entry Description (2014 <sub>h</sub> ) . . . . .	46
35	Value Definition (1016 <sub>h</sub> ) . . . . .	28	87	Object Description (2015 <sub>h</sub> ) . . . . .	46
36	Object Description (1016 <sub>h</sub> ) . . . . .	28	88	Entry Description (2015 <sub>h</sub> ) . . . . .	46
37	Entry Description (1016 <sub>h</sub> ) . . . . .	28	89	Object Description (2020 <sub>h</sub> ) . . . . .	46
38	Object Description (1017 <sub>h</sub> ) . . . . .	29	90	Entry Description (2020 <sub>h</sub> ) . . . . .	46
39	Entry Description (1017 <sub>h</sub> ) . . . . .	29	91	Object Description (2021 <sub>h</sub> ) . . . . .	47
40	Object Description (1018 <sub>h</sub> ) . . . . .	29	92	Entry Description (2021 <sub>h</sub> ) . . . . .	47
41	Entry Description (1018 <sub>h</sub> ) . . . . .	29	93	Object Description (2022 <sub>h</sub> ) . . . . .	47
42	Object Description (1023 <sub>h</sub> ) . . . . .	30	94	Entry Description (2022 <sub>h</sub> ) . . . . .	47
43	Entry Description (1023 <sub>h</sub> ) . . . . .	30	95	Object Description (2027 <sub>h</sub> ) . . . . .	47
44	Object Description (1029 <sub>h</sub> ) . . . . .	30	96	Entry Description (2027 <sub>h</sub> ) . . . . .	48
45	Entry Description (1029 <sub>h</sub> ) . . . . .	30	97	Object Description (2028 <sub>h</sub> ) . . . . .	48
46	Object Description (1400 <sub>h</sub> ) . . . . .	31	98	Entry Description (2028 <sub>h</sub> ) . . . . .	48
47	Entry Description (1400 <sub>h</sub> ) . . . . .	31	99	Object Description (2029 <sub>h</sub> ) . . . . .	48
48	Object Description (1600 <sub>h</sub> ) . . . . .	32	100	Entry Description (2029 <sub>h</sub> ) . . . . .	48
49	Entry Description (1600 <sub>h</sub> ) . . . . .	32	101	Object Description (202A <sub>h</sub> ) . . . . .	49
50	Object Description (1800 <sub>h</sub> ) . . . . .	33	102	Entry Description (202A <sub>h</sub> ) . . . . .	49
51	Entry Description (1800 <sub>h</sub> ) . . . . .	34	103	Object Description (202B <sub>h</sub> ) . . . . .	49
52	Object Description (1A00 <sub>h</sub> ) . . . . .	34			



104	Entry Description (202B <sub>h</sub> )	49	158	Entry Description (209E <sub>h</sub> )	61
105	Object Description (202C <sub>h</sub> )	49	159	Object Description (20A1 <sub>h</sub> )	61
106	Entry Description (202C <sub>h</sub> )	50	160	Entry Description (20A1 <sub>h</sub> )	62
107	Object Description (202D <sub>h</sub> )	50	161	Object Description (20A3 <sub>h</sub> )	62
108	Entry Description (202D <sub>h</sub> )	50	162	Entry Description (20A3 <sub>h</sub> )	62
109	Object Description (202E <sub>h</sub> )	50	163	Object Description (20A4 <sub>h</sub> )	62
110	Entry Description (202E <sub>h</sub> )	50	164	Entry Description (20A4 <sub>h</sub> )	62
111	Object Description (202F <sub>h</sub> )	51	165	Object Description (20A5 <sub>h</sub> )	63
112	Entry Description (202F <sub>h</sub> )	51	166	Entry Description (20A5 <sub>h</sub> )	63
113	Object Description (2030 <sub>h</sub> )	51	167	Object Description (2100 <sub>h</sub> )	63
114	Entry Description (2030 <sub>h</sub> )	51	168	Entry Description (2100 <sub>h</sub> )	63
115	Object Description (2031 <sub>h</sub> )	51	169	Object Description (2101 <sub>h</sub> )	63
116	Entry Description (2031 <sub>h</sub> )	52	170	Entry Description (2101 <sub>h</sub> )	64
117	Object Description (2033 <sub>h</sub> )	52	171	Driver Error Flags (2102 <sub>h</sub> )	64
118	Entry Description (2033 <sub>h</sub> )	52	172	Object Description (2102 <sub>h</sub> )	64
119	Object Description (2034 <sub>h</sub> )	52	173	Entry Description (2102 <sub>h</sub> )	64
120	Entry Description (2034 <sub>h</sub> )	52	174	Object Description (2107 <sub>h</sub> )	65
121	Object Description (2035 <sub>h</sub> )	53	175	Entry Description (2107 <sub>h</sub> )	65
122	Entry Description (2035 <sub>h</sub> )	53	176	Object Description (210B <sub>h</sub> )	65
123	Object Description (2036 <sub>h</sub> )	53	177	Entry Description (210B <sub>h</sub> )	65
124	Entry Description (2036 <sub>h</sub> )	53	178	Object Description (2120 <sub>h</sub> )	65
125	Object Description (204E <sub>h</sub> )	54	179	Entry Description (2120 <sub>h</sub> )	66
126	Entry Description (204E <sub>h</sub> )	54	180	Object Description (2700 <sub>h</sub> )	66
127	Object Description (2089 <sub>h</sub> )	54	181	Entry Description (2700 <sub>h</sub> )	66
128	Entry Description (2089 <sub>h</sub> )	54	182	Object Description (2701 <sub>h</sub> )	66
129	Object Description (208C <sub>h</sub> )	55	183	Entry Description (2701 <sub>h</sub> )	67
130	Entry Description (208C <sub>h</sub> )	55	184	Bit Definitions (2702 <sub>h</sub> )	67
131	Object Description (208E <sub>h</sub> )	55	185	Object Description (2702 <sub>h</sub> )	67
132	Entry Description (208E <sub>h</sub> )	55	186	Entry Description (2702 <sub>h</sub> )	67
133	Object Description (2092 <sub>h</sub> )	55	187	Bit Definitions (2703 <sub>h</sub> )	68
134	Entry Description (2092 <sub>h</sub> )	56	188	Object Description (2703 <sub>h</sub> )	68
135	Object Description (2093 <sub>h</sub> )	56	189	Entry Description (2703 <sub>h</sub> )	68
136	Entry Description (2093 <sub>h</sub> )	56	190	Object Description (2704 <sub>h</sub> )	69
137	Object Description (2094 <sub>h</sub> )	56	191	Entry Description (2704 <sub>h</sub> )	69
138	Entry Description (2094 <sub>h</sub> )	56	192	Object Description (2705 <sub>h</sub> )	69
139	Object Description (2095 <sub>h</sub> )	57	193	Entry Description (2705 <sub>h</sub> )	69
140	Entry Description (2095 <sub>h</sub> )	57	194	Object Description (2706 <sub>h</sub> )	70
141	Object Description (2096 <sub>h</sub> )	57	195	Entry Description (2706 <sub>h</sub> )	70
142	Entry Description (2096 <sub>h</sub> )	57	196	Object Description (2707 <sub>h</sub> )	70
143	Object Description (2097 <sub>h</sub> )	58	197	Entry Description (2707 <sub>h</sub> )	70
144	Entry Description (2097 <sub>h</sub> )	58	198	Object Description (2708 <sub>h</sub> )	70
145	Object Description (2098 <sub>h</sub> )	58	199	Entry Description (2708 <sub>h</sub> )	71
146	Entry Description (2098 <sub>h</sub> )	58	200	Object Description (270E <sub>h</sub> )	71
147	Object Description (2099 <sub>h</sub> )	59	201	Entry Description (270E <sub>h</sub> )	71
148	Entry Description (2099 <sub>h</sub> )	59	202	Multi-axis Object Indices (Profile specific Area)	72
149	Object Description (209A <sub>h</sub> )	59	203	Value Description (605A <sub>h</sub> )	73
150	Entry Description (209A <sub>h</sub> )	59	204	Object Description (605A <sub>h</sub> )	73
151	Object Description (209B <sub>h</sub> )	60	205	Entry Description (605A <sub>h</sub> )	73
152	Entry Description (209B <sub>h</sub> )	60	206	Value Description (605B <sub>h</sub> )	73
153	Object Description (209C <sub>h</sub> )	60	207	Object Description (605B <sub>h</sub> )	73
154	Entry Description (209C <sub>h</sub> )	60	208	Entry Description (605B <sub>h</sub> )	74
155	Object Description (209D <sub>h</sub> )	61	209	Value Description (605C <sub>h</sub> )	74
156	Entry Description (209D <sub>h</sub> )	61	210	Object Description (605C <sub>h</sub> )	74
157	Object Description (209E <sub>h</sub> )	61			



211	Entry Description (605C <sub>h</sub> )	74	264	Entry Description (6081 <sub>h</sub> )	89
212	Value Description (605D <sub>h</sub> )	74	265	Object Description (6082 <sub>h</sub> )	89
213	Object Description (605D <sub>h</sub> )	75	266	Entry Description (6082 <sub>h</sub> )	89
214	Entry Description (605D <sub>h</sub> )	75	267	Object Description (6083 <sub>h</sub> )	90
215	Value Description (605E <sub>h</sub> )	75	268	Entry Description (6083 <sub>h</sub> )	90
216	Object Description (605E <sub>h</sub> )	75	269	Object Description (6084 <sub>h</sub> )	90
217	Entry Description (605E <sub>h</sub> )	75	270	Entry Description (6084 <sub>h</sub> )	90
218	Value Description (6060 <sub>h</sub> )	76	271	Object Description (6085 <sub>h</sub> )	91
219	Object Description (6060 <sub>h</sub> )	76	272	Entry Description (6085 <sub>h</sub> )	91
220	Entry Description (6060 <sub>h</sub> )	76	273	Value Definitions of Object 6086 <sub>h</sub>	91
221	Value Description (6061 <sub>h</sub> )	77	274	Object Description (6086 <sub>h</sub> )	91
222	Object Description (6061 <sub>h</sub> )	77	275	Entry Description (6086 <sub>h</sub> )	91
223	Entry Description (6061 <sub>h</sub> )	77	276	Object Description (60A4 <sub>h</sub> )	92
224	Value Description (606A <sub>h</sub> )	77	277	Entry Description (60A4 <sub>h</sub> )	92
225	Object Description (606A <sub>h</sub> )	78	278	Bit Definitions of Object 60F2 <sub>h</sub>	92
226	Entry Description (606A <sub>h</sub> )	78	279	Object Description (60F2 <sub>h</sub> )	93
227	Object Description (608F <sub>h</sub> )	78	280	Entry Description (60F2 <sub>h</sub> )	93
228	Entry Description (608F <sub>h</sub> )	78	281	Structure of the Control Word in pv Mode	94
229	Object Description (60FD <sub>h</sub> )	79	282	Command Coding	95
230	Entry Description (60FD <sub>h</sub> )	79	283	Object Description (6040 <sub>h</sub> in pv Mode)	95
231	Value Definition (6502 <sub>h</sub> )	79	284	Entry Description (6040 <sub>h</sub> in pv Mode)	95
232	Object Description (6502 <sub>h</sub> )	79	285	Structure of the Status Word in pv Mode	95
233	Entry Description (6502 <sub>h</sub> )	80	286	Trinamic Specific Bits	96
234	Structure of the Control Word in pp Mode	82	287	Operation Mode specific Bits in pv Mode	96
235	Operation Mode specific Bits in pp Mode	82	288	State Coding	96
236	Command Coding	82	289	Object Description (6041 <sub>h</sub> in pv Mode)	96
237	Object Description (6040 <sub>h</sub> in pp Mode)	83	290	Entry Description (6041 <sub>h</sub> in pv Mode)	97
238	Entry Description (6040 <sub>h</sub> in pp Mode)	83	291	Object Description (6062 <sub>h</sub> )	97
239	Structure of the Staus Word in pp Mode	83	292	Entry Description (6062 <sub>h</sub> )	97
240	Trinamic Specific Bits	83	293	Object Description (6063 <sub>h</sub> )	97
241	Operation Mode specific Bits in pp Mode	84	294	Entry Description (6063 <sub>h</sub> )	97
242	State Coding	84	295	Object Description (6064 <sub>h</sub> )	98
243	Object Description (6041 <sub>h</sub> in pp Mode)	84	296	Entry Description (6064 <sub>h</sub> )	98
244	Entry Description (6041 <sub>h</sub> in pp Mode)	84	297	Object Description (6065 <sub>h</sub> )	98
245	Object Description (6062 <sub>h</sub> )	85	298	Entry Description (6065 <sub>h</sub> )	98
246	Entry Description (6062 <sub>h</sub> )	85	299	Object Description (606C <sub>h</sub> )	99
247	Object Description (6063 <sub>h</sub> )	85	300	Entry Description (606C <sub>h</sub> )	99
248	Entry Description (6063 <sub>h</sub> )	85	301	Object Description (607D <sub>h</sub> )	99
249	Object Description (6064 <sub>h</sub> )	85	302	Entry Description (607D <sub>h</sub> )	99
250	Entry Description (6064 <sub>h</sub> )	86	303	Object Description (6083 <sub>h</sub> )	100
251	Object Description (6065 <sub>h</sub> )	86	304	Entry Description (6083 <sub>h</sub> )	100
252	Entry Description (6065 <sub>h</sub> )	86	305	Object Description (6084 <sub>h</sub> )	100
253	Object Description (6067 <sub>h</sub> )	87	306	Entry Description (6084 <sub>h</sub> )	100
254	Entry Description (6067 <sub>h</sub> )	87	307	Object Description (6085 <sub>h</sub> )	101
255	Object Description (6068 <sub>h</sub> )	87	308	Entry Description (6085 <sub>h</sub> )	101
256	Entry Description (6068 <sub>h</sub> )	87	309	Value Definitions of Object 6086 <sub>h</sub>	101
257	Object Description (606C <sub>h</sub> )	87	310	Object Description (6086 <sub>h</sub> )	101
258	Entry Description (606C <sub>h</sub> )	88	311	Entry Description (6086 <sub>h</sub> )	101
259	Object Description (607A <sub>h</sub> in pp Mode)	88	312	Object Description (60A4 <sub>h</sub> )	102
260	Entry Description (607A <sub>h</sub> in pp Mode)	88	313	Entry Description (60A4 <sub>h</sub> )	102
261	Object Description (607D <sub>h</sub> )	88	314	Object Description (60FF <sub>h</sub> )	102
262	Entry Description (607D <sub>h</sub> )	89	315	Entry Description (60FF <sub>h</sub> )	102
263	Object Description (6081 <sub>h</sub> )	89	316	Supported CANopen Homing Methods	105





317	Structure of the Control Word in hm Mode	110	364	Structure of the Control Word in csv Mode	123
318	Operation Mode specific Bits in hm Mode	110	365	Command Coding	124
319	Command Coding	110	366	Object Description (6040 <sub>h</sub> in csv Mode)	124
320	Object Description (6040 <sub>h</sub> in hm Mode)	111	367	Entry Description (6040 <sub>h</sub> in csv Mode)	124
321	Entry Description (6040 <sub>h</sub> in hm Mode)	111	368	Structure of the Status Word in csv Mode	124
322	Structure of the Status Word in hm Mode	111	369	Trinamic Specific Bits	125
323	Trinamic Specific Bits	111	370	Operation Mode specific Bits in csv Mode	125
324	Operation Mode specific Bits in hm Mode	112	371	State Coding	125
325	State Coding	112	372	Object Description (6041 <sub>h</sub> in csv Mode)	125
326	Object Description (6041 <sub>h</sub> in hm Mode)	112	373	Entry Description (6041 <sub>h</sub> in csv Mode)	126
327	Entry Description (6041 <sub>h</sub> in hm Mode)	112	374	Object Description (606C <sub>h</sub> )	126
328	Object Description (606C <sub>h</sub> )	113	375	Entry Description (606C <sub>h</sub> )	126
329	Entry Description (606C <sub>h</sub> )	113	376	Object Description (60FF <sub>h</sub> )	126
330	Object Description (607C <sub>h</sub> )	113	377	Entry Description (60FF <sub>h</sub> )	126
331	Entry Description (607C <sub>h</sub> )	113	378	Object Description (607D <sub>h</sub> )	127
332	Object Description (6098 <sub>h</sub> )	114	379	Entry Description (607D <sub>h</sub> )	127
333	Entry Description (6098 <sub>h</sub> )	114	380	Object Description (60B1 <sub>h</sub> )	127
334	Object Description (6099 <sub>h</sub> )	114	381	Entry Description (60B1 <sub>h</sub> )	127
335	Entry Description (6099 <sub>h</sub> )	114	382	Object Description (60C2 <sub>h</sub> )	128
336	Object Description (609A <sub>h</sub> )	115	383	Entry Description (60C2 <sub>h</sub> )	128
337	Entry Description (609A <sub>h</sub> )	115	384	Structure of the Control Word in cst Mode	129
338	Structure of the Control Word in csp Mode	116	385	Command Coding	129
339	Command Coding	117	386	Object Description (6040 <sub>h</sub> in cst Mode)	130
340	Object Description (6040 <sub>h</sub> in csp Mode)	117	387	Entry Description (6040 <sub>h</sub> in cst Mode)	130
341	Entry Description (6040 <sub>h</sub> in csp Mode)	117	388	Structure of the Status Word in cst Mode	130
342	Structure of the Status Word in csp Mode	117	389	Trinamic Specific Bits	130
343	Trinamic Specific Bits	118	390	Operation Mode specific Bits in cst Mode	131
344	Operation Mode specific Bits in csp Mode	118	391	State Coding	131
345	State Coding	118	392	Object Description (6041 <sub>h</sub> in cst Mode)	131
346	Object Description (6041 <sub>h</sub> in csp Mode)	118	393	Entry Description (6041 <sub>h</sub> in cst Mode)	131
347	Entry Description (6041 <sub>h</sub> in csp Mode)	119	394	Object Description (6062 <sub>h</sub> )	132
348	Object Description (6062 <sub>h</sub> )	119	395	Entry Description (6062 <sub>h</sub> )	132
349	Entry Description (6062 <sub>h</sub> )	119	396	Object Description (6063 <sub>h</sub> )	132
350	Object Description (6063 <sub>h</sub> )	119	397	Entry Description (6063 <sub>h</sub> )	132
351	Entry Description (6063 <sub>h</sub> )	119	398	Object Description (6064 <sub>h</sub> )	132
352	Object Description (6064 <sub>h</sub> )	120	399	Entry Description (6064 <sub>h</sub> )	133
353	Entry Description (6064 <sub>h</sub> )	120	400	Object Description (6071 <sub>h</sub> )	133
354	Object Description (606C <sub>h</sub> )	120	401	Entry Description (6071 <sub>h</sub> )	133
355	Entry Description (606C <sub>h</sub> )	120	402	Object Description (6077 <sub>h</sub> )	133
356	Object Description (607A <sub>h</sub> in csp Mode)	120	403	Entry Description (6077 <sub>h</sub> )	133
357	Entry Description (607A <sub>h</sub> in csp Mode)	121	404	Object Description (607D <sub>h</sub> )	134
358	Object Description (607D <sub>h</sub> )	121	405	Entry Description (607D <sub>h</sub> )	134
359	Entry Description (607D <sub>h</sub> )	121	406	Object Description (60B2 <sub>h</sub> )	134
360	Object Description (60B0 <sub>h</sub> )	121	407	Entry Description (60B2 <sub>h</sub> )	134
361	Entry Description (60B0 <sub>h</sub> )	122	408	Object Description (60C2 <sub>h</sub> )	135
362	Object Description (60C2 <sub>h</sub> )	122	409	Entry Description (60C2 <sub>h</sub> )	135
363	Entry Description (60C2 <sub>h</sub> )	122	410	Emergency Messages (EMCY)	137
			411	Firmware Revision	145
			412	Document Revision	145



## 15 Supplemental Directives

### 15.1 Producer Information

### 15.2 Copyright

TRINAMIC owns the content of this user manual in its entirety, including but not limited to pictures, logos, trademarks, and resources. © Copyright 2019 TRINAMIC. All rights reserved. Electronically published by TRINAMIC, Germany.

Redistributions of source or derived format (for example, Portable Document Format or Hypertext Markup Language) must retain the above copyright notice, and the complete Datasheet User Manual documentation of this product including associated Application Notes; and a reference to other available product-related documentation.

### 15.3 Trademark Designations and Symbols

Trademark designations and symbols used in this documentation indicate that a product or feature is owned and registered as trademark and/or patent either by TRINAMIC or by other manufacturers, whose products are used or referred to in combination with TRINAMIC's products and TRINAMIC's product documentation.

This CANopen® Firmware Manual is a non-commercial publication that seeks to provide concise scientific and technical user information to the target user. Thus, trademark designations and symbols are only entered in the Short Spec of this document that introduces the product at a quick glance. The trademark designation /symbol is also entered when the product or feature name occurs for the first time in the document. All trademarks and brand names used are property of their respective owners.

### 15.4 Target User

The documentation provided here, is for programmers and engineers only, who are equipped with the necessary skills and have been trained to work with this type of product.

The Target User knows how to responsibly make use of this product without causing harm to himself or others, and without causing damage to systems or devices, in which the user incorporates the product.

### 15.5 Disclaimer: Life Support Systems

TRINAMIC Motion Control GmbH & Co. KG does not authorize or warrant any of its products for use in life support systems, without the specific written consent of TRINAMIC Motion Control GmbH & Co. KG.

Life support systems are equipment intended to support or sustain life, and whose failure to perform, when properly used in accordance with instructions provided, can be reasonably expected to result in personal injury or death.

Information given in this document is believed to be accurate and reliable. However, no responsibility is assumed for the consequences of its use nor for any infringement of patents or other rights of third parties which may result from its use. Specifications are subject to change without notice.

### 15.6 Disclaimer: Intended Use

The data specified in this user manual is intended solely for the purpose of product description. No representations or warranties, either express or implied, of merchantability, fitness for a particular purpose



or of any other nature are made hereunder with respect to information/specification or the products to which information refers and no guarantee with respect to compliance to the intended use is given.

In particular, this also applies to the stated possible applications or areas of applications of the product. TRINAMIC products are not designed for and must not be used in connection with any applications where the failure of such products would reasonably be expected to result in significant personal injury or death (safety-Critical Applications) without TRINAMIC's specific written consent.

TRINAMIC products are not designed nor intended for use in military or aerospace applications or environments or in automotive applications unless specifically designated for such use by TRINAMIC. TRINAMIC conveys no patent, copyright, mask work right or other trade mark right to this product. TRINAMIC assumes no liability for any patent and/or other trade mark rights of a third party resulting from processing or handling of the product and/or any other use of the product.

## 15.7 Collateral Documents & Tools

This product documentation is related and/or associated with additional tool kits, firmware and other items, as provided on the product page at: [www.trinamic.com](http://www.trinamic.com).



## 16 Revision History

### 16.1 Firmware Revision

Version	Date	Author	Description
3.21	2017-DEC-14	OK	First release.
3.22	2019-FEB-11	OK	CSV mode added. Internal performance optimized. Automatic brake control switched off by default (default value of object 200C <sub>h</sub> sub-index 2 now 0).

*Table 411: Firmware Revision*

### 16.2 Document Revision

Version	Date	Author	Description
1.00	2017-DEC-14	OK	First release.
1.01	2019-FEB-14	OK	CSV mode added. Changes of firmware V3.22 added.

*Table 412: Document Revision*



## X-ON Electronics

Largest Supplier of Electrical and Electronic Components

*Click to view similar products for [Motor Drives](#) category:*

*Click to view products by [Analog Devices](#) manufacturer:*

Other Similar products are found below :

[GMA02](#) [R7DBP02L](#) [1300920283](#) [ST10-S](#) [GMA11](#) [GMA20](#) [R88DUA03LAAC100V30W](#) [R88DUA12HA](#) [R88DUP03LAAC100V30W](#)  
[STR2](#) [VFD002EL11A](#) [MFMCB0030GET](#) [MFECA0030EAM](#) [1302263150](#) [1300920078](#) [R88D-GN04H-ML2](#) [R88D-KT01H](#) [R7D-BP01H](#)  
[R88D-KN04L-ECT](#) [70354063](#) [79294435](#) [27358015](#) [15275008](#) [ST5-Q-EN](#) [1SFA896103R1100](#) [1SFA896103R7000](#) [1SFA896112R1100](#)  
[R88D-GP08H](#) [GNCF8-11](#) [KLC35BE](#) [ST10-Q-RN](#) [1302263161](#) [SV2D10-Q-AE](#) [VX5A1300](#) [R88A-CA1C005SF-E](#) [R88A-CR1B005NF-E](#)  
[SEH 71-4B](#) [U-PKZ0\(400V50HZ\)](#) [LUCC12BL](#) [LUCC12FU](#) [LU9BN11L](#) [LULC08](#) [GV2P01](#) [UDS1UR6M50CANCZ183](#) [LC1D09M7](#)  
[103H7126-1740](#) [103H7823-1741](#) [111.3761.20.00E](#) [111.3761.30.00E](#) [808070RAT250](#)