

1. FEATURES

- Nanopower supply current: 3.2μA/channel
- Offset voltage: 260μV (max)
- TcVos: 1μV/°C
- Unity gain-bandwidth: 65kHz
- Wide supply range: 1.6V to 5.5V
- Low input bias current: 0.1pA
- Unity-gain stable
- Rail-to-rail input and output
- EMI protection
- Shut-down operation

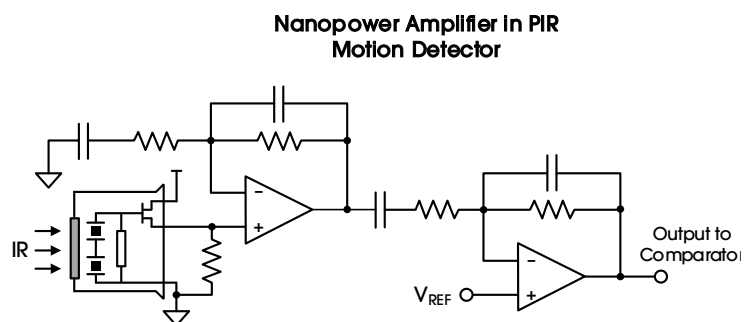
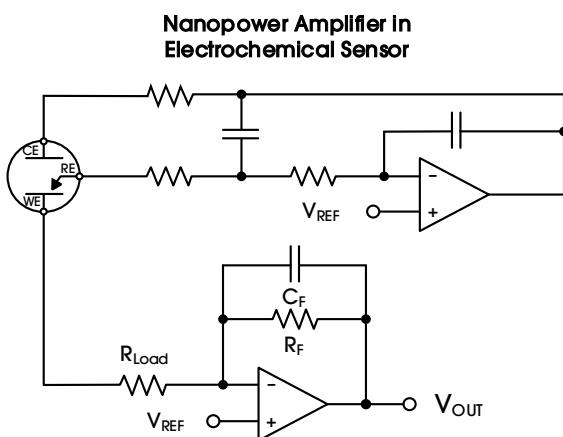
2. APPLICATIONS

- CO and O² gas detectors
- PIR motion detectors
- Ionization smoke alarms
- Thermostats
- IoT remote sensors
- Active RFID readers and tags
- Portable medical equipment
- Monitor and alarms
- Wearable devices

3. DESCRIPTION

The OPA505/6 is one of the ultra-low-power family operational amplifiers provided by AnalogYSEMI. With just 3.2μA of quiescent current and operating voltage ranged between 1.6V and 5.5V, the OPA505/6 operational amplifiers are applicable to most battery-powered circumstances and stable even without additional boost topology. Keeping low power consumption and 65kHz of bandwidth, the OPA505/6 devices work rather well with equipment such as CO detectors, smoke detectors, and PIR motion detectors. In addition, the OPA505/6 operational amplifiers have CMOS input stages with typically femto-amp bias currents. EMI protection is incorporated into the OPA505/6 design in order to enhance overall system reliability by reducing system sensitivity to undesirable RF signals from mobile phones, Wi-Fi, radio transmitters, and tag readers. Enable pin can be used in low power application to save power.

The OPA505/6 operational amplifier is offered in the SOT23-5 and SOT23-6 package respectively. All versions are specified from -40°C to 125°C, which makes them suitable for various rugged environment.



X-ON Electronics

Largest Supplier of Electrical and Electronic Components

Click to view similar products for [Operational Amplifiers - Op Amps](#) category:

Click to view products by [analogysemi](#) manufacturer:

Other Similar products are found below :

[430227FB](#) [LT1678IS8](#) [058184EB](#) [NCV33202DMR2G](#) [NJM324E](#) [M38510/13101BPA](#) [NTE925](#) [AZV358MTR-G1](#) [AP4310AUMTR-AG1](#)
[AZV358MMTR-G1](#) [SCY33178DR2G](#) [NCV20034DR2G](#) [NTE778S](#) [NTE871](#) [NTE937](#) [NJU7057RB1-TE2](#) [SCY6358ADR2G](#)
[NJM2904CRB1-TE1](#) [UPC4570G2-E1-A](#) [UPC4741G2-E1-A](#) [UPC4574GR-9LG-E1-A](#) [NJM8532RB1-TE1](#) [EL2250CS](#) [EL5100IS](#) [EL5104IS](#)
[EL5127CY](#) [EL5127CYZ](#) [EL5133IW](#) [EL5152IS](#) [EL5156IS](#) [EL5162IS](#) [EL5202IY](#) [EL5203IY](#) [EL5204IY](#) [EL5210CS](#) [EL5210CYZ](#)
[EL5211IYE](#) [EL5220CY](#) [EL5223CLZ](#) [EL5223CR](#) [EL5224ILZ](#) [EL5227CLZ](#) [EL5227CRZ](#) [EL5244CS](#) [EL5246CS](#) [EL5246CSZ](#) [EL5250IY](#)
[EL5251IS](#) [EL5257IS](#) [EL5260IY](#)