

# Ana-Quick polyamide conduit

## PA6S BLACK



### STANDARD MODEL, FOR MEDIUM AND HIGH MECHANICAL STRENGTH

The PA6S is applicable for standard circumstances and for frequent movements. The PA6S is used in medium and heavy machines, in hospital-building, packaging-machines and the transportation area.

#### Material & Construction:

**Construction:** Corrugated conduit from modified polyamide PA6, UV resistant, halogen free.

**Flame properties:** Flame-retarding UL-94 HB.

**Resistant against:** Alcohol, grease, fuels, mineral oils, weak bases and weak acids.

**Temperature:** -40 °C till +120 °C, intermittent up to +150 °C.

**Colour:** Black (grey is also available).

#### Classification according to NEN-EN-IEC 61386:

**Compression resistance:** Class 2, Light (320 N).

**Impact resistance:** Class 2, Light (1 J).

**Tensile strength:** Class 2, Light (250 N).

**Protection class:** IP 67 (dust-proof, water-tight).



Normal profile "standard wall"

ANA-QUICK		DIAMETRE		BENDING RADIUS (CL)		STANDARD CARTON		SMALL CARTON		REEL	WEIGHT
Size (dn)	Inside (mm)	Outside (mm)	Static (mm)	Dynamic (mm)	Metre	Article No. black	Metre	Article No. black	Metre	Article No. black	(kg/m)
4,5	5	7,1	10	28	100	801.305.0	-	-	9000	801.305.5	0,009
7,5	6,7	10	13	39	50	801.307.0	-	-	5000	801.307.5	0,018
10	9,9	13	20	60	50	801.310.0	-	-	3000	801.310.5	0,024
12	12,2	15,7	30	90	50	801.312.0	-	-	2200	801.312.5	0,033
17	16,6	21,2	45	135	50	801.317.0	-	-	1100	801.317.5	0,056
23	23,2	28,9	55	165	50	801.323.0	-	-	650	801.323.5	0,09
29	29	34,5	65	195	25	801.329.0	-	-	450	801.329.5	0,122
37	36	42,4	90	270	25	801.336.0	-	-	250	801.336.5	0,166
50	47,7	54	100	300	25	801.348.0	-	-	150	801.348.5	0,225

The fittings for Ana-Quick Profi are outlined in this chapter on pages 9 - 13 till 9 - 25

ANA-QUICK	7,5	10	12	17	23	29	37	50
ISO	M12	M12 - M16	M16 - M20	M20 - M25	M25	M32	M40	M50 - M63
PG	7	7 - 9 - 11	11 - 13,5	13,5 - 16	21	29	36	48
NPT	-	-	-	-	-	-	-	-

## NUMBER

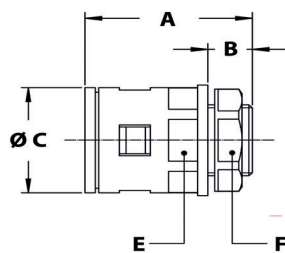
# TDS-3555/A

## PRODUCT DESCRIPTION

Ana-Quick fittings for corrugated nylon conduit

## PRODUCT RANGE

Ana-Quick product range



Galwin 5 - 1046 AW Amsterdam  
P.O. Box 8155 - 1005 AD Amsterdam  
The Netherlands

**Tel.:** +31 (0)20 586 3586

**Fax:** +31 (0)20 688 1126

**Email:** sales@anamet.nl

**Website:** www.anameteurope.com

Vat Reg NL001442429B01

Trade register Amsterdam 330 60 401

ISO straight fitting, male, PA6, colour black, including locknut



THREAD ISO	ANA-QUICK SIZE (DN)	MIN. INTERNAL BORE (MM)	DIMENSIONS IN MM					STANDARD PACKAGE	ARTICLE NUMBER	WEIGHT (KG/100)
			A	B	C	E	F			
M12 x 1,5	7,5	7,5	34	10	17	16	18	50	968.112.1	0,5
M12 x 1,5	10	7,5	36	10	20	18	18	50	968.111.2	0,6
M16 x 1,5	10	11,2	36	10	20	18	22	50	968.115.2	0,7
M16 x 1,5	12	11,2	41	12	23	21	22	50	968.116.2	0,8
M20 x 1,5	12	15,2	41	13	23	21	27	50	968.117.2	1,1
M20 x 1,5	17	15,2	45	13	30	27	27	50	968.120.2	1,4
M25 x 1,5	17	20,0	45	13	30	27	33	20	968.122.2	1,6
M25 x 1,5	23	20,0	48	13	37	34	33	20	968.125.2	2,0
M32 x 1,5	29	26,0	52	15	44	40	41	10	968.132.2	2,8
M40 x 1,5	37	33,5	55	15	52	49	50	8	968.140.2	3,8
M50 x 1,5	50	42,0	55	16	65	62	62	5	968.150.2	5,5
M63 x 1,5	50	52,0	55	16	65	62	74	5	968.160.2	5,8

## ANA-QUICK POLYAMIDE FITTINGS

The universal Ana-Quick fitting fits all types of Ana-Quick conduit. The Ana-Quick fitting is easy to connect and due to the integrated release clips also very simple to dis-connect.

### Material & Construction:

**Construction:** 1 piece fitting with integrated release clip and locknut included.

**Material:** Fitting, clip and locknut are made of halogen free Polyamide PA6.

**Temperature:** -40°C till +120°C continuous.

**Protection class:** IP 65 (dust-proof, waterprotected).

**Colour:** Black.

### Issued by:

Seyda Simsek

Marketing Communications Manager

### Approved by:

Rob Guichelaar

Technical Manager

### Date:

8 augustus 2022

### Page:

1 of 1



## NUMBER

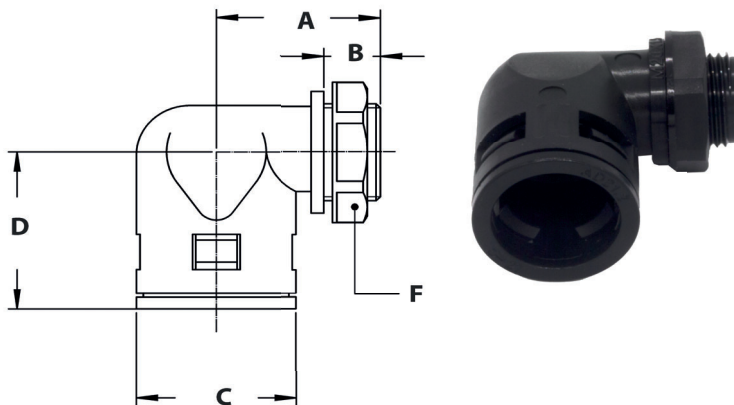
# TDS-3577

## PRODUCT DESCRIPTION

Ana-Quick fittings for corrugated nylon conduit

## PRODUCT RANGE

Ana-Quick product range



Galwin 5 - 1046 AW Amsterdam  
P.O. Box 8155 - 1005 AD Amsterdam  
The Netherlands

**Tel.:** +31 (0)20 586 3586

**Fax:** +31 (0)20 688 1126

**Email:** sales@anamet.nl

**Website:** www.anameteurope.com

Vat Reg NL001442429B01

Trade register Amsterdam 330 60 401



ISO 90° fitting, male, PA6, colour black, including locknut

THREAD ISO	ANA-QUICK SIZE (DN)	MIN. INTERNAL BORE (MM)	DIMENSIONS IN MM					STANDARD PACKAGE	ARTICLE NUMBER	WEIGHT (KG/100)
			A	B	C	D	F			
M12 x 1,5	7,5	7,8	25	10	17	29	18	50	968.312.2	0,7
M16 x 1,5	10	11,5	26	10	20	31	22	50	968.315.2	0,9
M16 x 1,5	12	11,5	29	12	23	35	22	50	968.316.2	1,2
M20 x 1,5	12	15,2	30	13	23	36	27	50	968.317.2	1,3
M20 x 1,5	17	15,2	34	13	30	39	27	50	968.320.2	1,7
M25 x 1,5	17	18,0	34	13	30	39	33	20	968.322.2	1,9
M25 x 1,5	23	19,5	39	13	37	43	33	20	968.325.2	2,7
M32 x 1,5	29	26,0	42	15	44	48	41	10	968.332.2	4,2
M40 x 1,5	37	33,0	48	15	52	57	50	8	968.340.2	6,4
M50 x 1,5	50	42,0	55	16	65	66	62	5	968.350.2	10,3
M63 x 1,5	50	52,0	55	16	65	66	74	5	968.360.2	9,5

## ANA-QUICK POLYAMIDE FITTINGS

The universal Ana-Quick fitting fits all types of Ana-Quick conduit. The Ana-Quick fitting is easy to connect and due to the integrated release clips also very simple to dis-connect.

### Material & Construction:

**Construction:** 1 piece fitting with integrated release clip and locknut included.

**Material:** Fitting, clip and locknut are made of halogen free Polyamide PA6.

**Temperature:** -40°C till +120°C continuous.

**Protection class:** IP 65 (dust-proof, waterprotected).

**Colour:** Black.

### Issued by:

Seyda Simsek

Marketing Communications Manager

### Approved by:

Rob Guichelaar

Technical Manager

### Date:

8 Augustus 2022

### Page:

1 of 1



## X-ON Electronics

Largest Supplier of Electrical and Electronic Components

*Click to view similar products for [Spiral Wraps, Sleeves, Tubing & Conduit](#) category:*

*Click to view products by [ANAMET EUROPE](#) manufacturer:*

Other Similar products are found below :

[CTA-0053](#) [8426-11](#) [8429-9](#) [25](#) [RAY-103-10.0\(100\)](#) [RAY-103-4.0\(100\)](#) [4627-S](#) [5026790001](#) [100-001B375](#) [100-003A1000](#) [102-060-008](#)  
[103-013-012](#) [5356510001](#) [8445-2.5](#) [8447-3.2](#) [24028-1](#) [100-001A203](#) [121-103-1-1-09BFTTH](#) [T25R-M](#) [SAS-090-1-1048-1X](#) [SAS-160-1-](#)  
[1030-0](#) [RAY-101-3.0\(100\)](#) [8428-18](#) [8429-12](#) [4629-S](#) [8659](#) [100-003A750](#) [100-003A109](#) [102-072-008](#) [HC1B-7008-0312-0](#) [SAS-090-1-1017-](#)  
[1X](#) [22A00010-0DH16](#) [100-003A078](#) [OSPU 10](#) [CS-A900T](#) [THP6B](#) [121-100-1-1-20BETE](#) [330.012.2](#) [330.012.3](#) [330.016.2](#) [330.020.3](#)  
[373.016.2](#) [CYLG-29B](#) [61747000](#) [61806130](#) [61806140](#) [166-30730](#) [348.016.1](#) [3110000817](#) [3110014011](#)