

Hybrid Couplers 3 dB, 90°



Applications

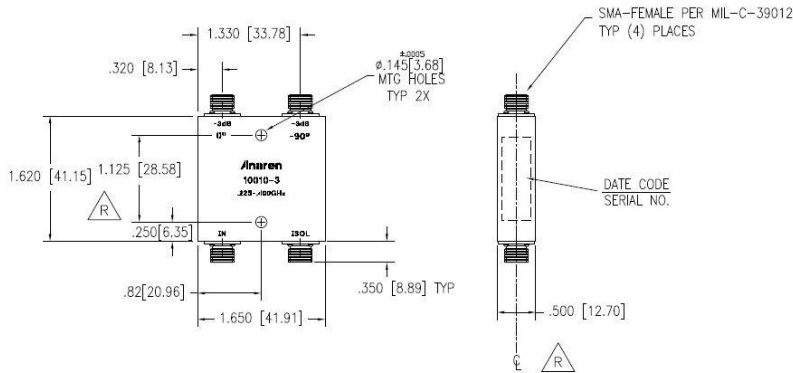
- Balanced Mixers
- Antenna Feed Networks
- Phasing Networks
- Dividers/Combiners

Features

- Military Grade
- 0.225 – 0.4 GHz
- 2 – Way power Split
- Quadrature
- Connectors Per MIL-C-39012
- Rugged Aluminum Housing
- Low VSWR
- Meets MIL-E-5400 Class 3 Requirements

Outline Drawing

Electrical and Mechanical Specifications subject to change without notice.



NOTES:

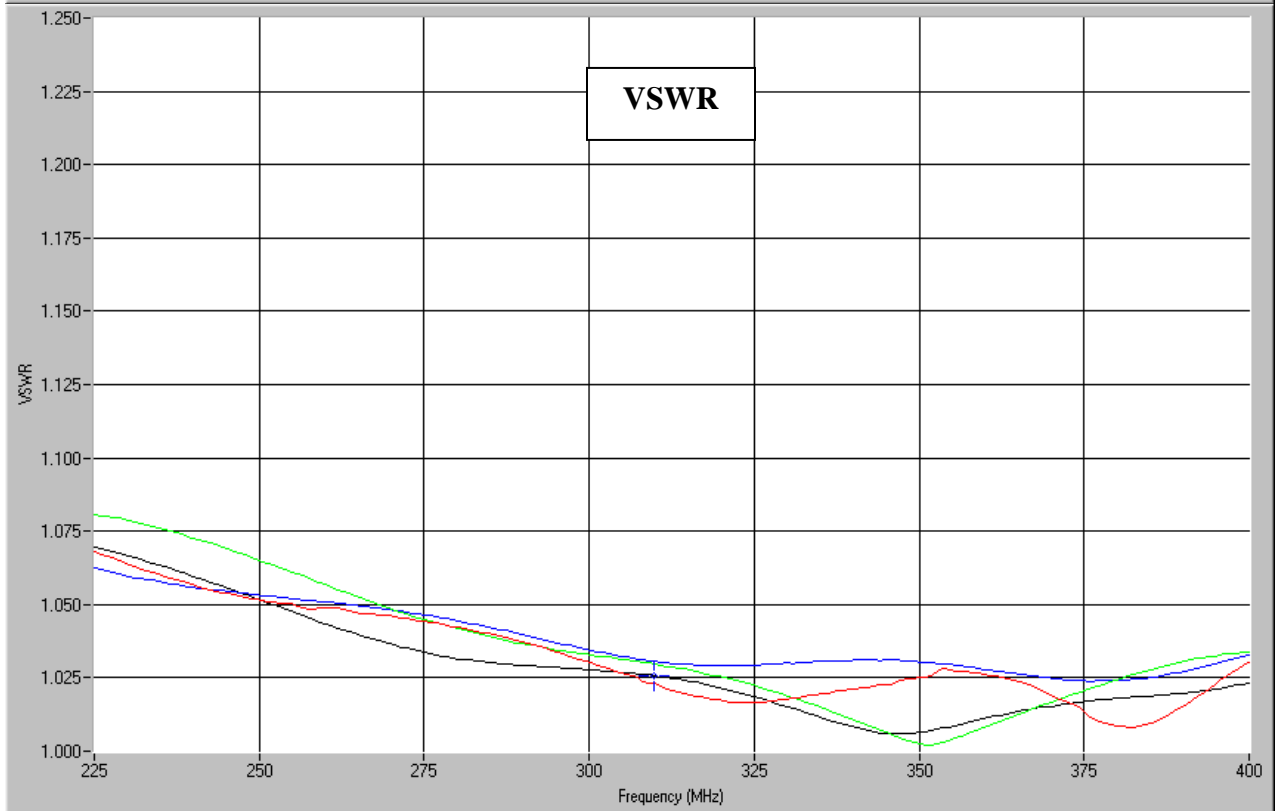
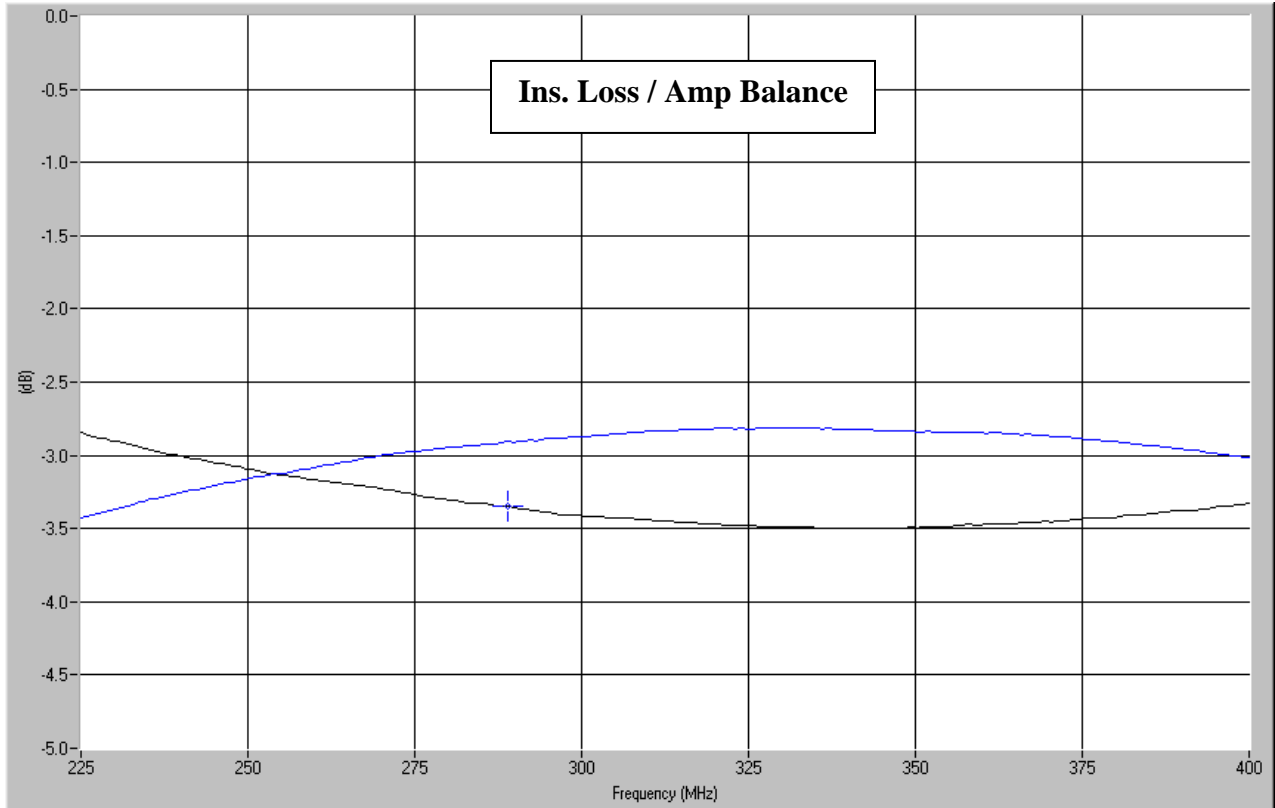
1. DIMENSIONS ARE IN INCHES AND (MILLIMETERS)
2. MARKING SHALL BE IN ACCORDANCE WITH MIL-STD-130.
3. FINISH: EPOXY COATING PER MIL-C-22750, COLOR CHIP 35180 (BLUE) PER FED-STD-595, OVER EPOXY PRIMER PER MIL-P-23337.
4. WEIGHT: 2.5 OUNCES (71 GRAMS) MAXIMUM

ELECTRICAL SPECIFICATIONS

FREQ.	225-400 MHz
ISOLATION:	23.0 Db MINIMUM
INSERTION LOSS:	.30 dB MAXIMUM
VSWR:	1.20:1.0 MAXIMUM
AMPLITUDE BALANCE:	±.50 dB MAXIMUM
PHASE BALANCE:	±2.0 DEGREES MAXIMUM
AVG. CW POWER:	250 WATTS

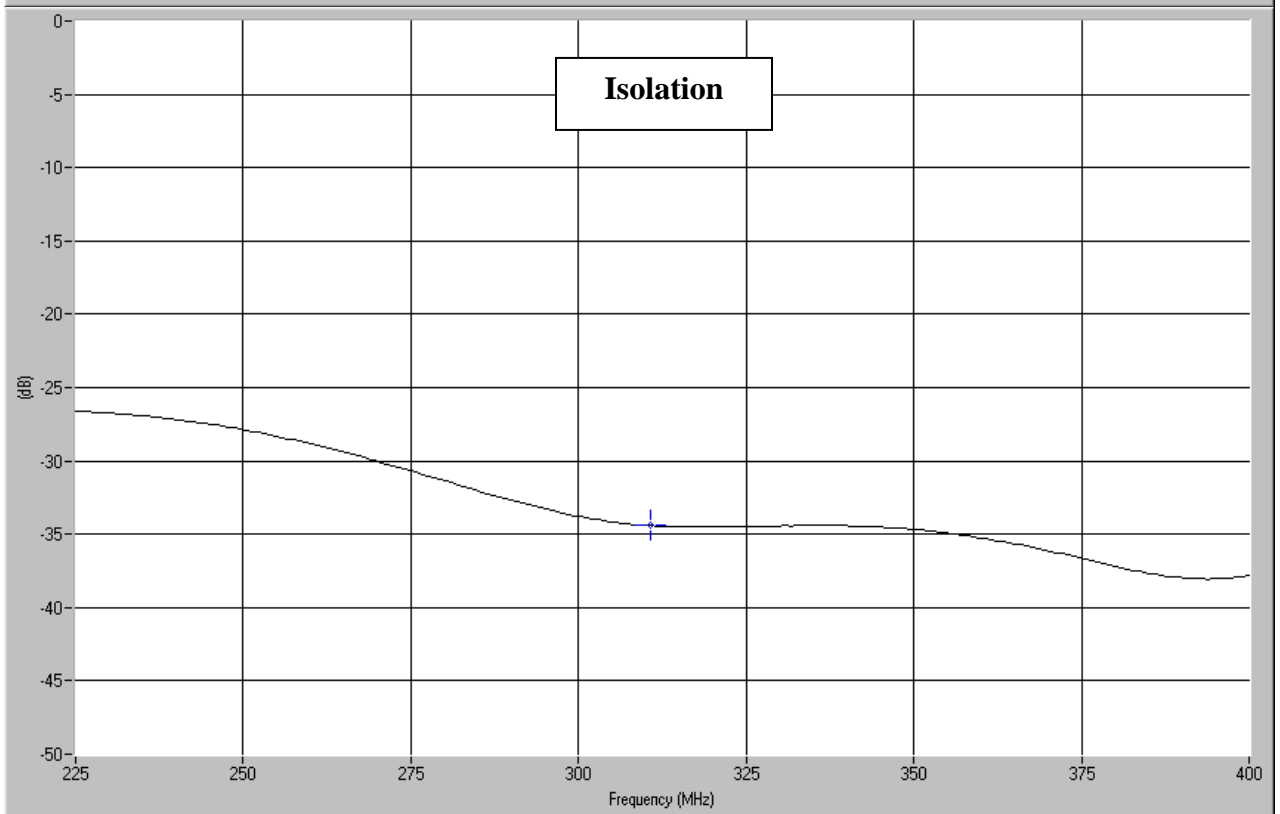
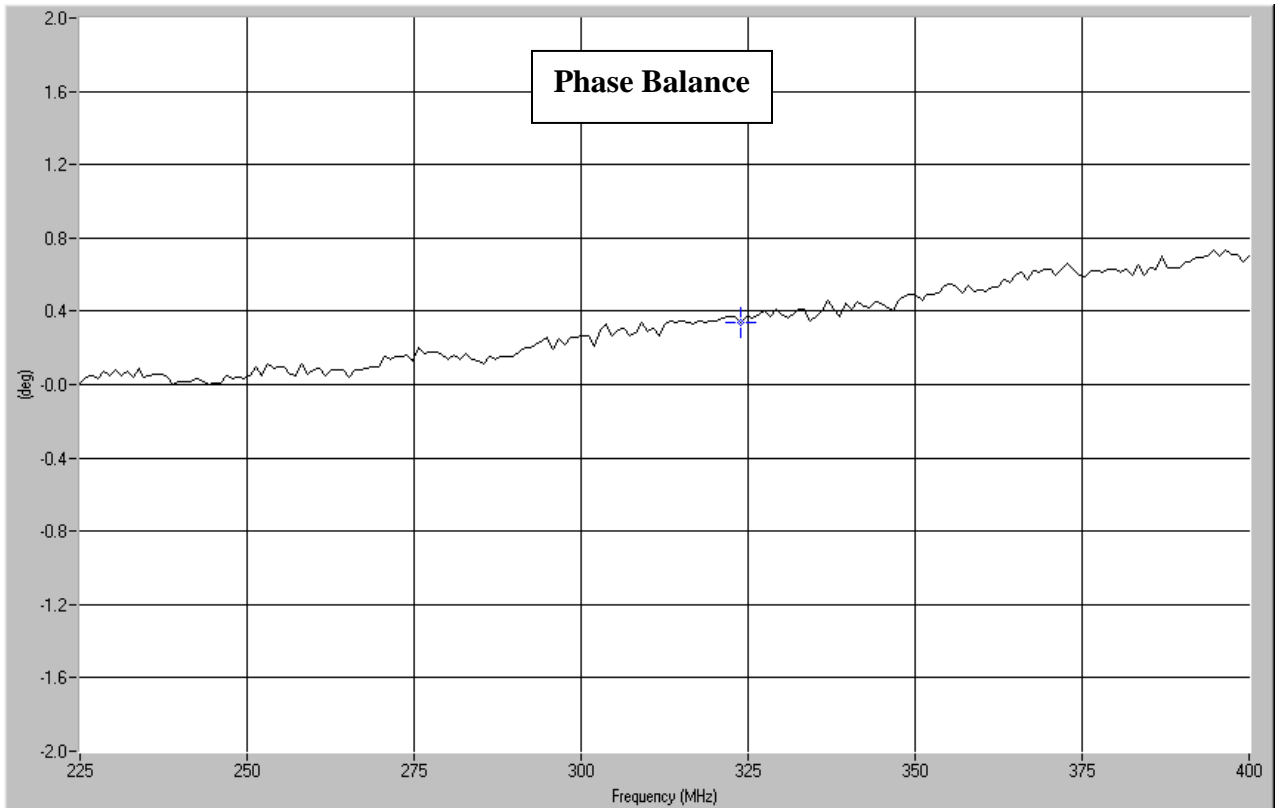
Anaren		ANAREN MICROWAVE INC. EAST SYRACUSE, NEW YORK	
COUPLER, 3dB 90° HYB			
SIZE	CAGE CODE	DOC NO.	
B	31597	10909-G001	
SCALE	1/1	DOC CODE	3
REV	R	SHEET	1 OF 1

Typical Test Data Plots



USA/Canada: (315) 432-8909
 Toll Free: (800) 411-6596
 Europe: +44 2392-232392

Typical Test Data Plots



X-ON Electronics

Largest Supplier of Electrical and Electronic Components

Click to view similar products for [Signal Conditioning](#) category:

Click to view products by [Anaren](#) manufacturer:

Other Similar products are found below :

[MAPDCC0001](#) [MAPDCC0004](#) [PD0409J5050S2HF](#) [880157](#) [HHS-109-PIN](#) [DC1417J5005AHF](#) [AFS14A30-2185.00-T3](#) [AFS14A35-1591.50-T3](#) [DS-323-PIN](#) [B39321R801H210](#) [1A0220-3](#) [JP510S](#) [LFB212G45SG8C341](#) [LFB322G45SN1A504](#) [LFL182G45TC3B746](#) [SF2159E](#) [30057](#)
[FM-104-PIN](#) [CER0813B](#) [MAPDCC0005](#) [3A325](#) [40287](#) [41180](#) [ATB3225-75032NCT](#) [BD0810N50100AHF](#) [BD2425J50200AHF](#)
[C5060J5003AHF](#) [JHS-115-PIN](#) [JP503AS](#) [DC0710J5005AHF](#) [DC2327J5005AHF](#) [DC3338J5005AHF](#) [43020](#) [LFB2H2G60BB1C106](#)
[LFL15869MTC1B787](#) [X3C19F1-20S](#) [XC3500P-20S](#) [10013-20](#) [SF2194E](#) [CDBLB455KCAX39-B0](#) [TGL2208-SM, EVAL](#) [RF1353C](#)
[PD0922J5050D2HF](#) [1E1305-3](#) [1G1304-30](#) [B0922J7575AHF](#) [2020-6622-20](#) [TP-102-PIN](#) [TP-103-PIN](#) [BD1222J50200AHF](#)