

Hybrid Couplers 3 dB, 90°

Applications

- Microstrip Circuits
- Divider/Combiners
- Switch Networks
- Balanced Detectors
- Antenna Feeds



Features

- Welded Tab Mount
- 2-Way Power Split
- Reliable Performance
- Handles 60 Watts

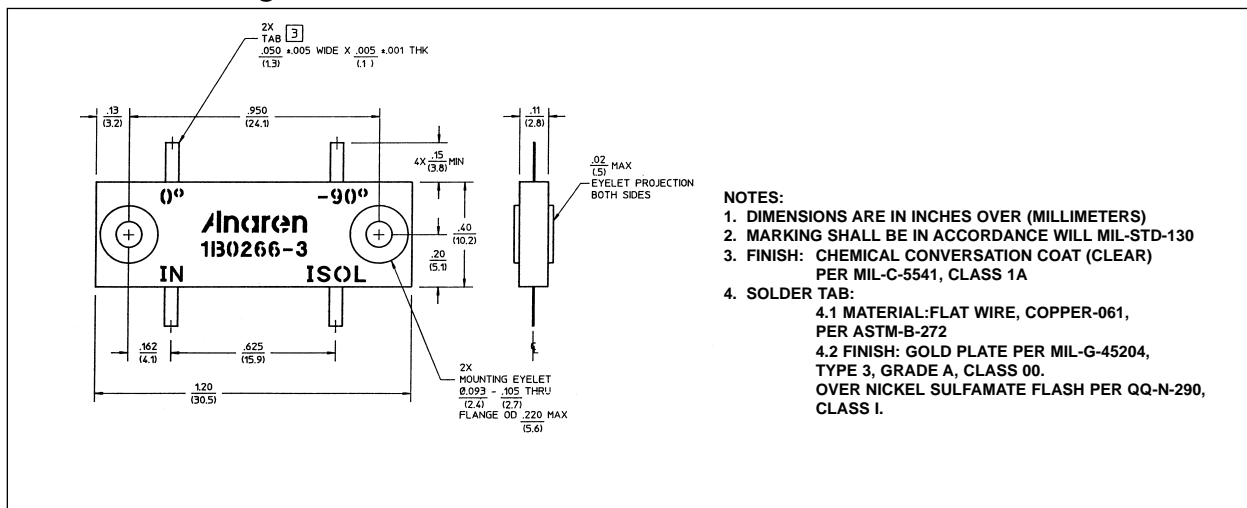
Electrical Specifications

Frequency GHz	Isolation dB Min/Typ	Insert. Loss dB Max	VSWR Max : 1
2.0 - 4.0	17/21	0.35	1.30/1.20
Amp. Bal. dB Max	Phase Bal. Degrees Max	Power Ave. CW Watts	
±0.50	±2.5	60	

Notes: Electrical specifications apply only with properly designed test fixtures. Testing is done at ambient temperature only. Sample testing is performed to MIL-STD-105, Level 2, AQL 1.0. Test includes coupling, amplitude balance, insertion loss and isolation. If your application requires additional testing, consult Anaren Power rating applies when solder tab/coupler interface has been conformally coated. Impedance: 50 ohms. Meets MIL-E-5400 Class 3 requirements. Additional screening available for military and space applications.

Electrical and Mechanical Specifications subject to change without notice.

Outline Drawing



X-ON Electronics

Largest Supplier of Electrical and Electronic Components

Click to view similar products for [Signal Conditioning](#) category:

Click to view products by [Anaren](#) manufacturer:

Other Similar products are found below :

[MAPDCC0001](#) [MAPDCC0004](#) [PD0409J5050S2HF](#) [880157](#) [HHS-109-PIN](#) [DC1417J5005AHF](#) [AFS14A30-2185.00-T3](#) [AFS14A35-1591.50-T3](#) [DS-323-PIN](#) [B39321R801H210](#) [1A0220-3](#) [JP510S](#) [LFB212G45SG8C341](#) [LFB322G45SN1A504](#) [LFL182G45TC3B746](#) [SF2159E](#) [30057](#) [FM-104-PIN](#) [CER0813B](#) [MAPDCC0005](#) [3A325](#) [40287](#) [41180](#) [ATB3225-75032NCT](#) [BD0810N50100AHF](#) [BD2425J50200AHF](#) [C5060J5003AHF](#) [JHS-115-PIN](#) [JP503AS](#) [DC0710J5005AHF](#) [DC2327J5005AHF](#) [DC3338J5005AHF](#) [43020](#) [LFB2H2G60BB1C106](#) [LFL15869MTC1B787](#) [X3C19F1-20S](#) [XC3500P-20S](#) [10013-20](#) [SF2194E](#) [CDBLB455KCAX39-B0](#) [TGL2208-SM, EVAL](#) [RF1353C](#) [PD0922J5050D2HF](#) [1E1305-3](#) [1G1304-30](#) [B0922J7575AHF](#) [2020-6622-20](#) [TP-102-PIN](#) [TP-103-PIN](#) [BD1222J50200AHF](#)