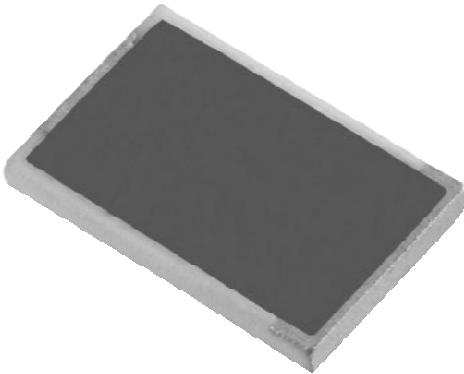


## Surface Mount Termination 25 Watts, 50Ω



### General Specifications

<b>Resistive Element</b>	Thick film
<b>Substrate</b>	Beryllium oxide ceramic
<b>Terminals</b>	Thick film silver

### Electrical Specifications

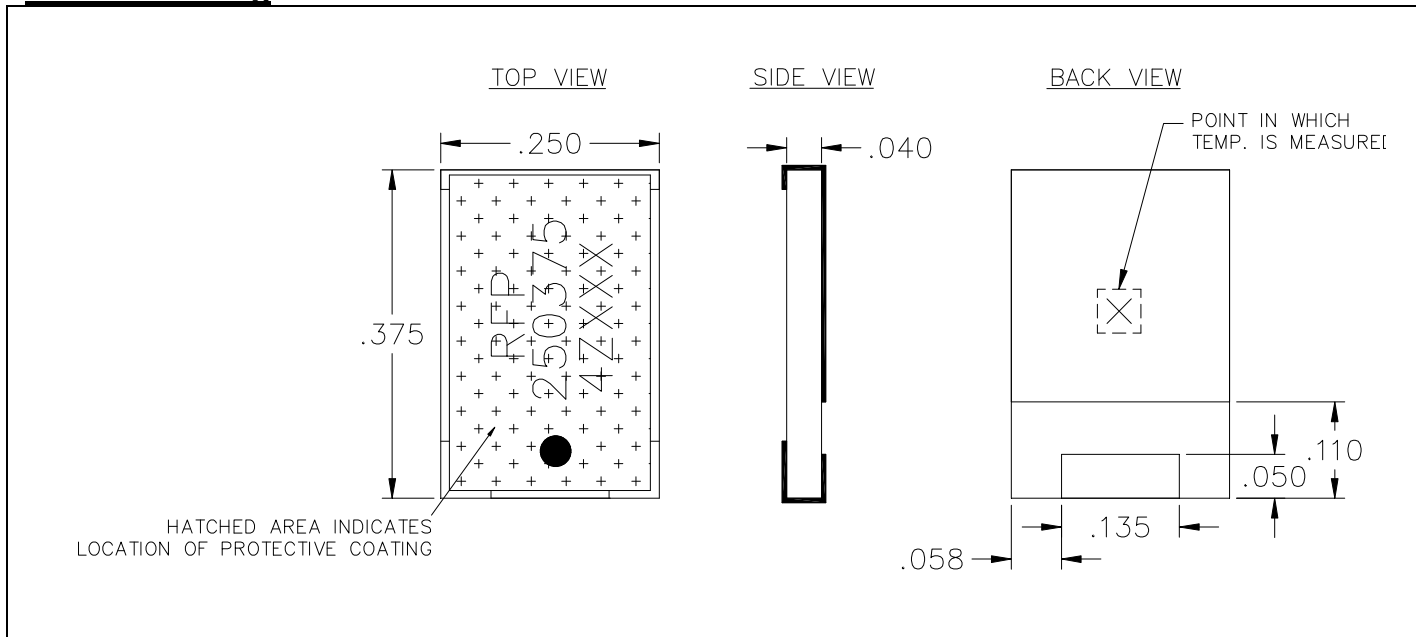
<b>Resistance Range:</b>	50 ohms, $\pm 2\%$
<b>Frequency Range;</b>	DC – 2.0 GHz
<b>Power:</b>	25 Watts
<b>VSWR</b>	1.25:1 DC – 2.0 GHz

**Note:** Tolerance is  $\pm 0.010"$ , unless otherwise specified. Designed to meet or exceed applicable portions of MIL-E-5400. Operating temperature is  $-55^{\circ}\text{C}$  to  $125^{\circ}\text{C}$  (see chart for derating temperatures). All dimensions in inches. Specifications subject to change with out notice.

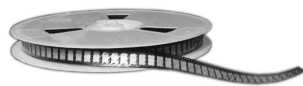
### Features:

- DC – 2.0 GHz
- 25 Watts
- BeO Ceramic
- Non-Nichrome Resistive Element
- Low VSWR
- 100% Tested

### Outline Drawing

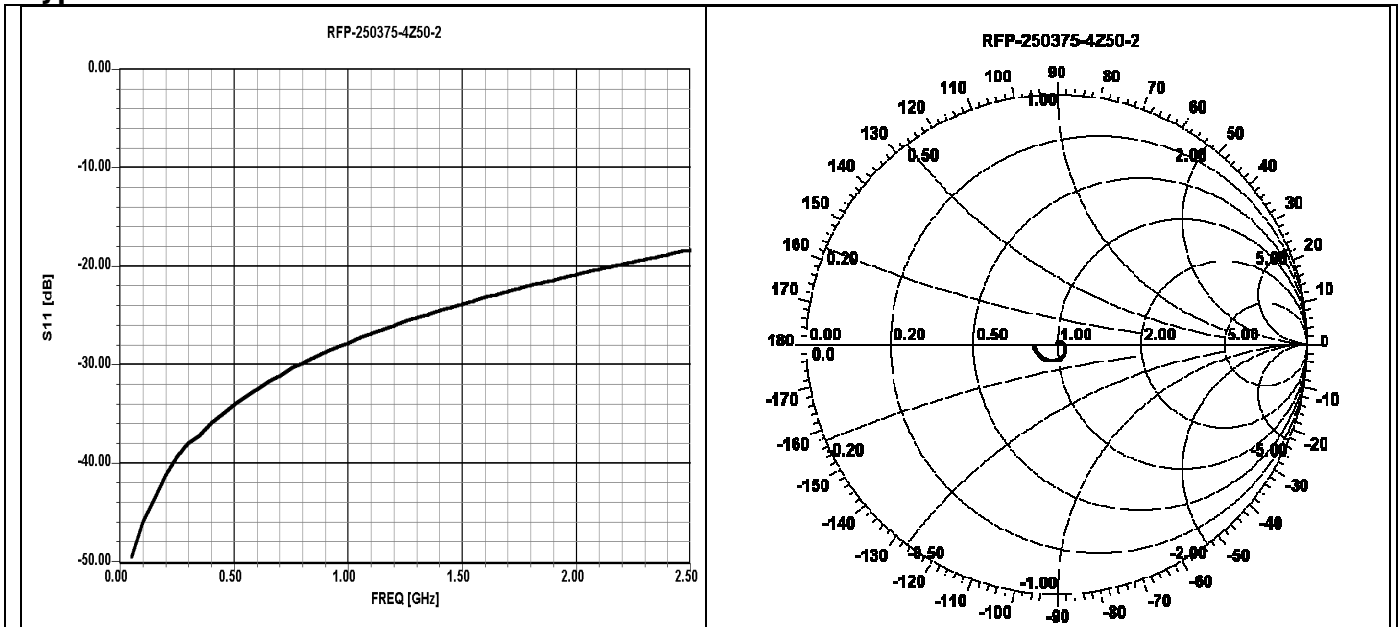


250375-4Z50-2 (097) Rev A

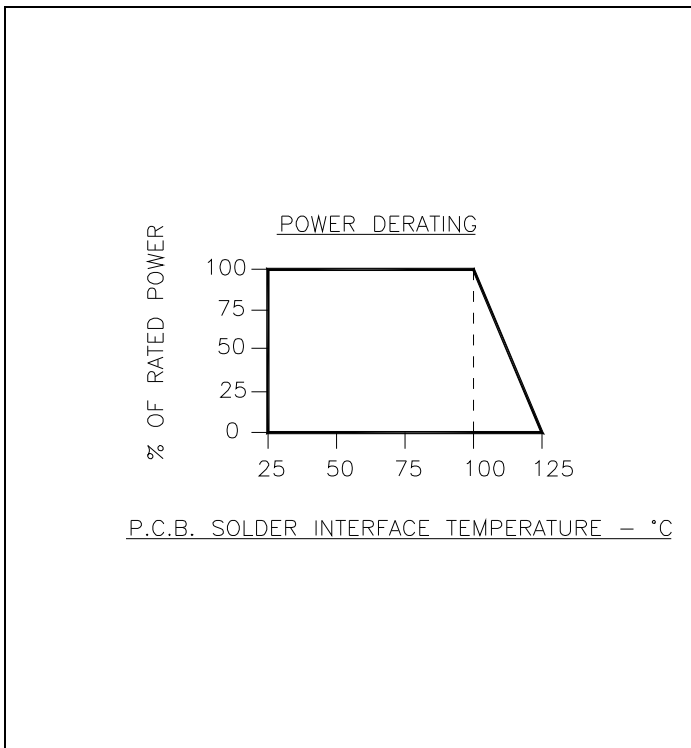




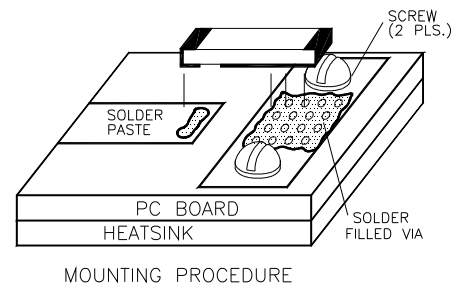
### Typical Performance:



### Power De-rating:



### Mounting Footprint and Procedure:



1. Solder part in place using 60/40 type solder with Temperature controlled iron (700°F).
2. Drill thermal vias through PCB and fill with solder, such as 60/40 type.
3. To ensure good thermal connectivity to heat sink, drill and tap heatsink and mount PCB board to heat sink using screws.

250375-4Z50-2 (097) Rev A

USA/Canada: (315) 432-8909  
 Toll Free: (800) 544-2414  
 Europe: +44 2392-232392

Available on Tape and Reel For Pick and Place Manufacturing.



**Anaren**  
 What'll we think of next?™

## X-ON Electronics

Largest Supplier of Electrical and Electronic Components

*Click to view similar products for [Interface - Specialised category](#):*

*Click to view products by [Anaren manufacturer](#):*

Other Similar products are found below :

[MC33975ATEKR2](#) [SP508EEF-L](#) [TDA8035HN/C2/S1J](#) [MAX13175EETU+](#) [MAX17841EVMINIQU#](#) [250375-4Z50-2](#) [NCN5120MNTWG](#)  
[C100N50Z4A](#) [SN65HVD63RGTT](#) [TDA8035HN/C1/S1J](#) [AD8192ACPZ-RL7](#) [AD5700-1BCPZ-R5](#) [AD5700-1BCPZ-RL7](#) [ADV3003ACPZ](#)  
[ADV7511KSTZ](#) [LTC4332IUFD#PBF](#) [LTC4332HUFD#PBF](#) [LTC4332CUFD#PBF](#) [LTC6820HMS#3ZZTRPBF](#) [MAX3814CHJ+T](#) [CH351Q](#)  
[SP334ET-L/TR](#) [ATSHA204A-STUCZ-T](#) [XL1192D](#) [XD7135](#) [KTU1109EFAA-TR](#) [CH368L](#) [CH7307C-DEF](#) [DS28CM00R-A00+T](#) [DS8500-](#)  
[JND+T&R](#) [MAX16054AZT+T](#) [MAX16545BGPF+](#) [MAX16550GPN+](#) [MAX16550AGPN+](#) [MAX16550AGPN+T](#) [MAX96705AGTJ/V+](#)  
[MAX3816ACUE+](#) [MAX4886ETO+](#) [MAX14502AETL+](#) [SP331ET-L](#) [SP338EER1-L](#) [SP3508EF-L](#) [XR3160EIUTR-F](#) [ATECC108A-](#)  
[MAHDA-T](#) [MAX3814CHJ+](#) [LPC47M182-NW](#) [MC33972ATEWR2](#) [MC33972ATEWR2](#) [NTA53321G0FTTZ](#) [NTP53321G0JHKZ](#)