



Features

- DC – 2.0 GHz
- 10 Watts
- Aluminum Nitride (AlN) Ceramic
- Surface Mountable
- Non-Nichrome Resistive Element
- Low VSWR
- 100% Tested

General Specifications

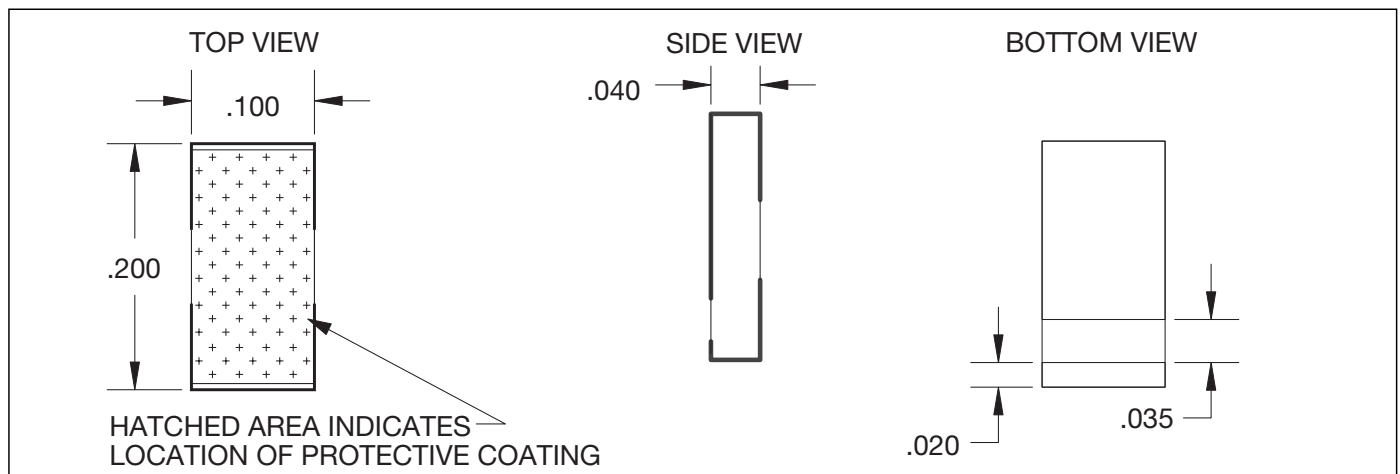
Resistive Element:	Thick film
Substrate:	Aluminum nitride ceramic
Terminals:	Tin/Lead, 90/10 over nickel

Electrical Specifications

Resistance Value:	50 ohms, $\pm 2\%$
Frequency Range:	DC - 2.0 GHz
Power:	10 Watts
V.S.W.R.:	1.25:1

Notes: Tolerance is ± 0.10 , unless otherwise specified. Operating temperature is -55°C to $+125^{\circ}\text{C}$ (see chart). Designed to meet or exceed applicable portions of MIL-E-5400. All dimensions are in inches.
Specifications subject to change without notice.

Outline Drawing



VER. 12/5/01



Available on Tape and Reel for Pick and Place Manufacturing.

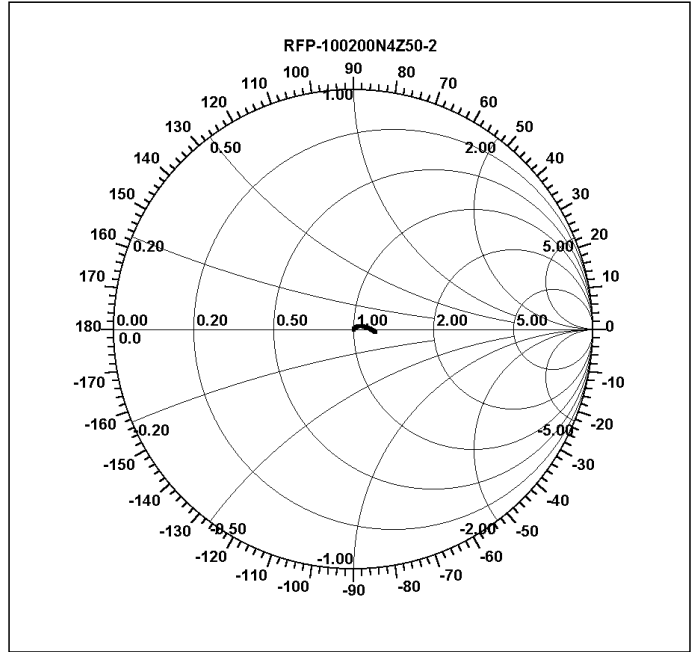
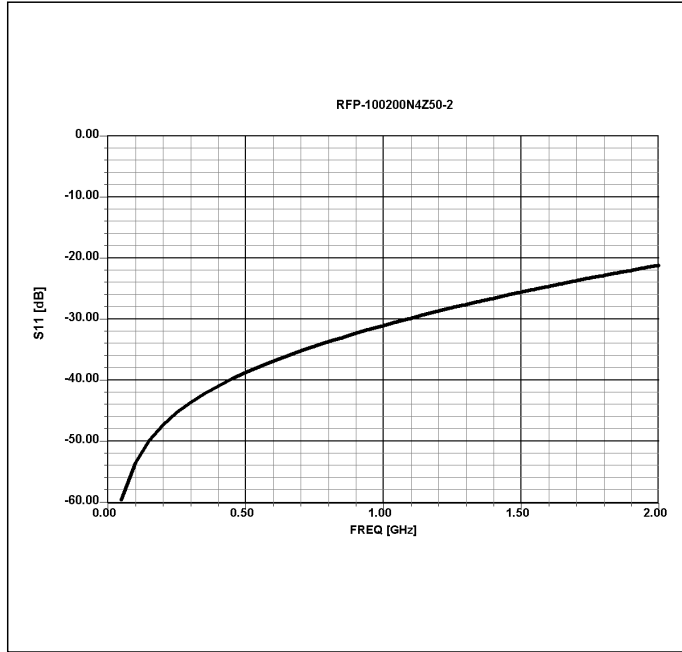
Sales Desk USA: Voice: (800) 544-2414 Fax: (315) 432-9121
Sales Desk Europe: Voice: (+44) 23 92 232392 Fax: (+44) 23 92 251369

Model RFP-100200N4Z50-2

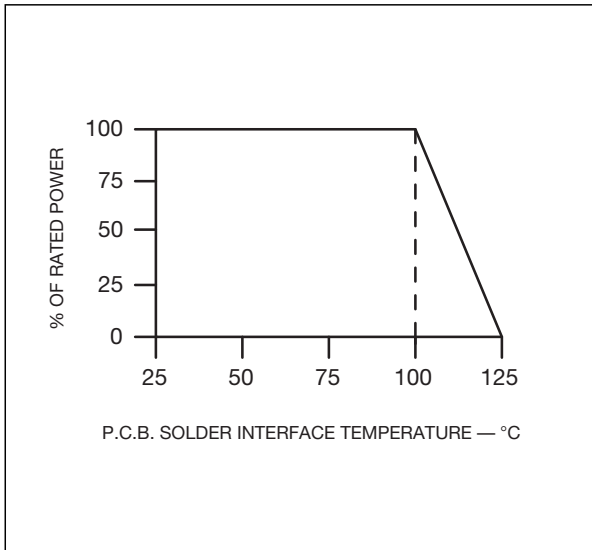


RF Power

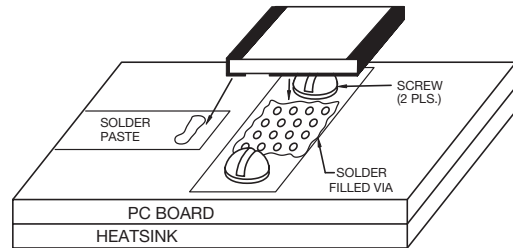
Typical Performance



Power Derating



Suggested Mounting Procedures



1. Solder part in place using 60/40 type solder with controlled temperature iron (700°F).
2. Drill thermal vias through PCB and fill with solder, such as 60/40 type.
3. To ensure good thermal connectivity to heat sink, drill and tap heatsink and mount PCB board to heat sink using screws.

Available on Tape and Reel for Pick and Place Manufacturing.



X-ON Electronics

Largest Supplier of Electrical and Electronic Components

Click to view similar products for [anaren](#) manufacturer:

Other Similar products are found below :

[A1101R09C-EZ4A](#) [A1101R08A00GM](#) [A1101R08A-EZ4A](#) [A1101R09A-EZ4A](#) [A1101R09C-EZ4E](#) [A2530R24A-LPZ](#) [41180](#) [10017-3](#)
[10330-3](#) [10615-20](#) [42100](#) [1A0266-3](#) [1B0320-3](#) [1F0626-20](#) [1Y0265-3](#) [10266-3](#) [40287](#) [1K0265-3](#) [11270-3](#) [XMC0102F1-20G](#) [A2500R24A-](#)
[EZ4E](#) [1H0264-3](#) [1G0265-3](#) [A2500R24C-EZ4A](#) [10013-20](#) [40285](#) [A1101R08A-EZ4E](#) [A2500R24A00GM](#) [43020](#) [1B0680-3](#) [XC0900A-10S](#)
[RES-KIT-1A](#) [1P0260-3](#) [A1101R08C-EZ4E](#) [1B0266-3](#) [X3C09P1-05S](#) [A1101R04C-EZ4E](#) [30057](#) [60-50TP-S](#) [20-50RP](#) [XC2500E-03S](#)
[A2500R24C00GM](#) [250250-4AA1](#) [A2530E24CZ1GM](#) [1C0870-20](#) [10-100RV-S](#) [A2541E24A10GM](#) [BD0205F5050AH](#) [A5B50X1A](#) [XDL20-](#)
[3-050S](#)