

## FEATURES

- ◆ 350 Watts Peak Pulse Power ( $t_p=8/20\mu s$ )
- ◆ Replacement for SOD323
- ◆ Protects two I/O and one power line
- ◆ Low Clamping Voltage
- ◆ Reverse Voltage: 5 V
- ◆ Low Leakage Current
- ◆ Response Time is Typically  $< 1$  ns

## IEC COMPATIBILITY (EN61000-4)

- ◆ IEC 61000-4-2 ESD air  $\pm 15$ KV , contact  $\pm 8$ KV
- ◆ IEC 61000-4-4 ETF 20A (5/50ns)
- ◆ IEC 61000-4-5 Surge 17A (8/20 $\mu s$ )

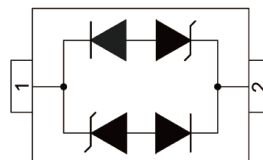
## Mechanical Characteristics

- ◆ JEDEC SOD323 package
- ◆ RoHS Compliant

## Applications

- ◆ Cellular Handsets and Accessories
- ◆ Portable Electronics
- ◆ Industrial Controls
- ◆ Set-Top Box
- ◆ Servers, Notebook, and Desktop PC

## Schematic & PIN Configuration



SOD323 Top View

## ABSOLUTE MAXIMUM RATING

Rating	Symbol	Value	Units
Peak Pulse Power ( $t_p = 8/20\mu s$ )	$P_{PK}$	350	Watts
Lead Soldering Temperature	$T_L$	260 (10sec)	$^{\circ}C/W$
Operating Temperature	$T_J$	-55~150	$^{\circ}C$
Storage Temperature	$T_{STG}$	-40~120	$^{\circ}C$
IEC61000-4-2	$V_{PP}$	Air 15 Contact 8	KV

## ELECTRICAL CHARACTERISTICS

### GBLC03C

Parameter	Symbol	Conditions	Min	Typical	Max	Units
Reverse Stand-Off Voltage	$V_{RWM}$				3.3	V
Reverse Breakdown Voltage	$V_{BR}$	$I_t=1mA$	4			V
Leakage Current	$I_R$	@ $V_{RWM}$			5	$\mu A$
Clamping Voltage	$V_C$	@1A			7	V
Clamping Voltage	$V_C$	@19A			19	V
Junction Capacitance	$C_J$	$V_R=0V, f=1Mhz$		0.8		pf

### GBLC05C

Parameter	Symbol	Conditions	Min	Typical	Max	Units
Reverse Stand-Off Voltage	$V_{RWM}$				5	V
Reverse Breakdown Voltage	$V_{BR}$	$I_t=1mA$	6			V
Leakage Current	$I_R$	@ $V_{RWM}$			5	$\mu A$
Clamping Voltage	$V_C$	@1A			9.8	V
Clamping Voltage	$V_C$	@17A			18.3	V
Junction Capacitance	$C_J$	$V_R=0V, f=1Mhz$		0.8		pf

## ELECTRICAL CHARACTERISTICS

### GBLC08C

Parameter	Symbol	Conditions	Min	Typical	Max	Units
Reverse Stand-Off Voltage	$V_{RWM}$				8.0	V
Reverse Breakdown Voltage	$V_{BR}$	$I_t=1mA$	8.5			V
Leakage Current	$I_R$	@ $V_{RWM}$			2	$\mu A$
Clamping Voltage	$V_C$	@1A			13.4	V
Clamping Voltage	$V_C$	@17A			18.5	V
Junction Capacitance	$C_J$	$V_R=0V, f=1Mhz$		0.8		pf

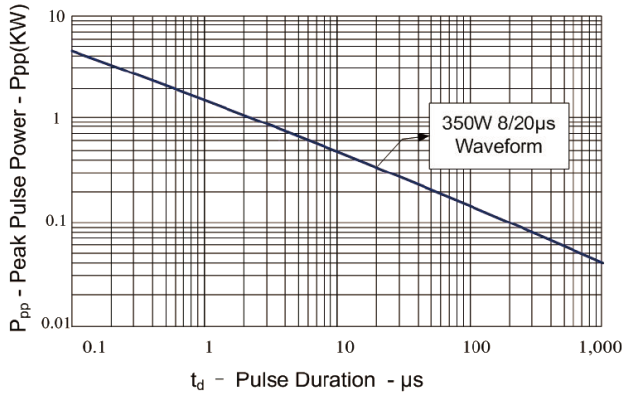
### GBLC12C

Parameter	Symbol	Conditions	Min	Typical	Max	Units
Reverse Stand-Off Voltage	$V_{RWM}$				12	V
Reverse Breakdown Voltage	$V_{BR}$	$I_t=1mA$	13.3			V
Leakage Current	$I_R$	@ $V_{RWM}$			1	$\mu A$
Clamping Voltage	$V_C$	@1A			19	V
Clamping Voltage	$V_C$	@11A			28.6	V
Junction Capacitance	$C_J$	$V_R=0V, f=1Mhz$		0.8		pf

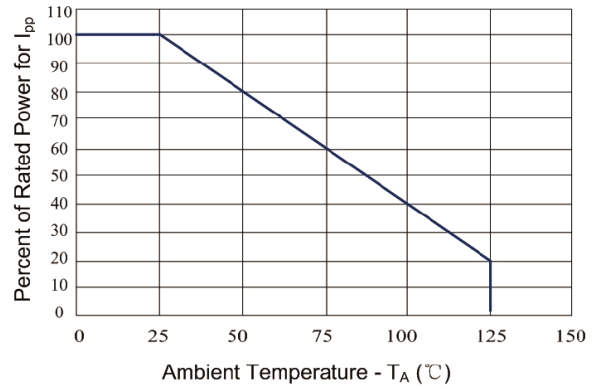
### GBLC24C

Parameter	Symbol	Conditions	Min	Typical	Max	Units
Reverse Stand-Off Voltage	$V_{RWM}$				24	V
Reverse Breakdown Voltage	$V_{BR}$	$I_t=1mA$	26.7			V
Leakage Current	$I_R$	@ $V_{RWM}$			1	$\mu A$
Clamping Voltage	$V_C$	@1A			43	V
Clamping Voltage	$V_C$	@10A			31.8	V
Junction Capacitance	$C_J$	$V_R=0V, f=1Mhz$		0.8		pf

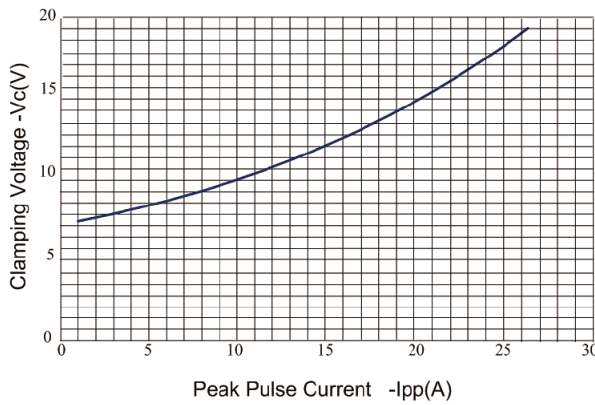
**Figure 1: Peak Pulse Power vs. Pulse Time**



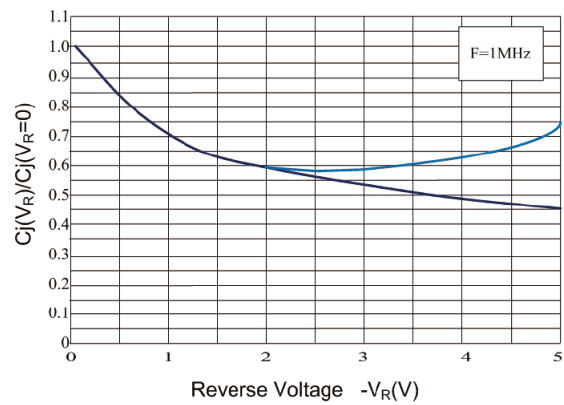
**Figure 2: Power Derating Curve**



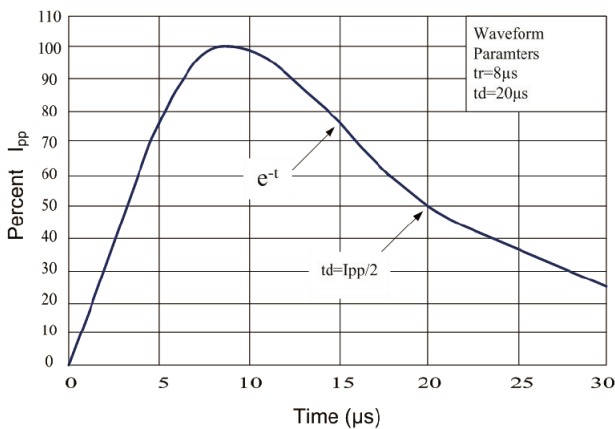
**Figure 3: Clamping Voltage vs. Peak Pulse Current**



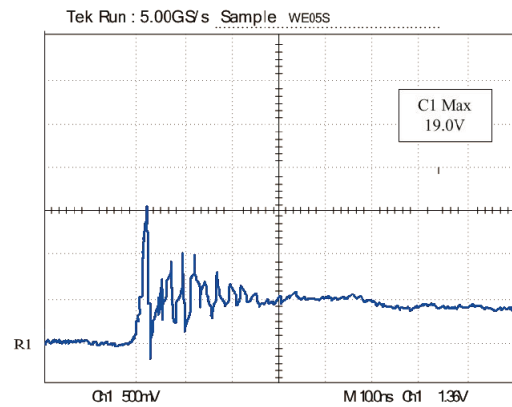
**Figure 4: Normalized Junction Capacitance vs. Reverse Voltage**




**Figure 5: Pulse Waveform**



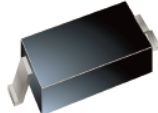
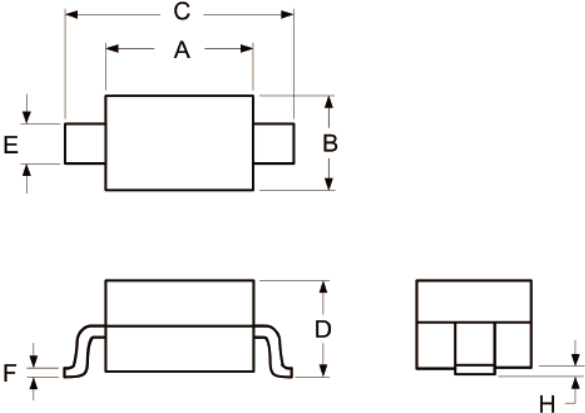
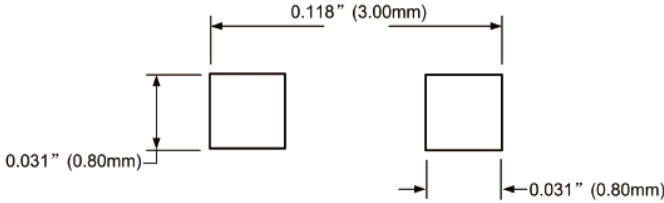
**Figure 6: ESD Clamping( 8kV Contact per IEC 61000-4-2)**



## Marking

Type number	Marking code	Example
GBLC03C	CA1	
GBLC05C	5B/AC	
GBLC08C	8B/BC	
GBLC12C	AB	
GBLC24C	CB/HC	

## OUTLINE DRAWING - SOD323

PACKAGE OUTLINE		 SOD-323	
		<b>DIMENSIONS</b>	
<b>SYMBOL</b>	<b>MILLIMETER</b>	<b>INCHES</b>	
	<b>MIN</b> <b>MAX</b>	<b>MIN</b>	<b>MAX</b>
A	1.60   1.90	0.063	0.075
B	1.15   1.45	0.045	0.057
C	2.39   2.70	0.094	0.106
D	0.92   1.10	0.036	0.043
E	0.25   0.40	0.010	0.016
F	0.10   0.20	0.004	0.008
H	-   0.10	-	0.004
<b>MOUNTING PAD</b>		<b>Notes</b>	
		1. Controlling Dimensions in Millimeters. 2. Dimensions are exclusive of mold flash and metal burrs.	
		<b>TAPE &amp; REEL ORDERING NOMENCLATURE</b>	
		1. Surface mount product is taped and reeled in accordance with EIA-481.	

## X-ON Electronics

Largest Supplier of Electrical and Electronic Components

*Click to view similar products for [ESD Suppressors / TVS Diodes](#) category:*

*Click to view products by [AnBon](#) manufacturer:*

Other Similar products are found below :

[NTE4902](#) [P4SMAJ15A](#) [P4SMAJ26A](#) [SMAJ400CA-TP](#) [TGL34-47CA](#) [ESDAULC45-1BF4](#) [SM1605E3/TR13](#) [SMF20A-TP](#) [P4SMAJ12A](#)  
[CPDUR24V-HF](#) [CPDQC5V0USP-HF](#) [CPDQC5V0-HF](#) [MPLAD30KP45CAE3](#) [MMBZ27VCLQ-7-F](#) [MMAD1108/TR13](#) [MPLAD30KP24A](#)  
[ACPDQC5V0R-HF](#) [DFLT170A-7](#) [NTE4900](#) [NTE4926](#) [NTE4938](#) [SMF22A-TP](#) [SMF12A-TP](#) [SLVU2.8-TP](#) [SMLJ6.5CA-TP](#) [SMAJ6.5CA-](#)  
[TP](#) [MMAD1108E3/TR13](#) [D5V0M1U2LP3-7](#) [SMAJ400A-TP](#) [AOZ8811DT-03](#) [AOZ8831DI-05](#) [AOZ8831DT-03](#) [SMAJ188CA](#) [3SMC33CA](#)  
[BK](#) [CPDQC3V3C-HF](#) [CPDQC12VE-HF](#) [MPLAD30KP170CA](#) [82357120100](#) [5.0SMLJ15CA-TP](#) [5KP18A-TP](#) [P6KE8.2A-TP](#)  
[MPLAD30KP43CAE3](#) [SMAJ43A-TP](#) [D5V0F6U8LP33-7](#) [TVS5501V10MUT5G](#) [5.0SMLJ24CA-TP](#) [SMAJ110CA-TP](#) [MPLAD15KP75CAE3](#)  
[MMAD1103e3/TR13](#) [DFLT40AQ-7](#)