

Powerpole® pin & socket series connector, designed as ground terminal are for make-first/break-last connections.

The dovetail feature allows you to interlock multiple housings into vertical and horizontal configurations, providing you with unique variations that are specific to each individual project requirement.

Powerpole® connectors provide 600 Volts continuous, AC or DC operation. This series accommodates #10 AWG (5.3 mm²).

FEATURES

- **Make-first/Break-last connection**

Provides safety and system integrity

- **Green housing**

Indicates ground terminal

- **Molded-in dovetails**

Can be assembled into "keyed" configurations to preclude misconnections



PRODUCT SPECIFICATIONS

Connector Model	PP30 P & S	Connector Model	PP30 P & S
UL Current Rating (Amperes)*	30****	No load (Contact/Disconnect Cycles)	To 250
UL Voltage Ratings (Volts)**	600*	Avg. Connection/Disconnect (lbf)	3
Contact Barrel Wire Size (AWG)	#10	Operating Temperature Range °C***	-20° to 105°
(mm ²)	5.3	°F	-4° to 221°
Maximum Wire Insulation Diameter (inches)	0.175	Flammability Rating of Housing Material	UL94 V-0
(mm)	4.45		
AVG Contact Resistance* (micro-ohms)	600		
Insulation Withstanding Test Voltage (Volts AC/DC)	2200		
Contact Retention Force (lbf)	25		



* UL Rated for 65°C largest wire or cable size

** Both AC & DC Voltage

*** Contact factory for higher temperature rated connectors

**** Based on 10 AWG

ORDERING INFORMATION

30 amp Ground Socket Connectors

Part Number	Description	Wire AWG	mm
PP30MF-S10T	Make First, Socket Tin	#10	3.3
PP30MF-S10S	Make First, Socket Silver	#10	3.3

30 amp Ground Pin Connectors

Part Number	Description	Wire AWG	mm
PP30MF-P10T	Make First, Pin Tin	#10	3.3
PP30MF-P10S	Make First, Pin Silver	#10	3.3
PP30MF-PPCT	Make First, Pin PC Tin	NA	NA
PP30MF-PPCS	Make First, Pin PC Silver	NA	NA

Ground Pin Contacts

Part Number	Description	Dia.
1230G1	Individual, Pin for wire Tin	.134
1231G1	Individual, Pin for wire Silver	.134
1234G1	Pin, PCB Tin	N/A
1235G1	Pin, PCB Silver	N/A

Ground Socket Contacts

Part Number	Description	Dia.
1232G1	Individual, Socket for wire Tin	.134
1233G1	Individual, Socket for wire Silver	.134

Pin & Socket Housing Only

Part Number	Description
PP30GND-P	Pin housing, green
PP30GND-S	Socket housing, green

Pin & Socket Contacts For Use With Superflex Wire

Part Number	Description	Wire AWG	mm
1226G1	Pin Contact	#10	6
1228G1	Socket Contact	#10	6

Tooling

Part Number	Description
1396G1	Hand Tool
1387G1	Pneumatic Tool
1388G8	- Die #10
1389G8	- Locator #10

Note: For additional colors please contact customer service

HEADQUARTERS: Anderson Power Products®, 13 Pratts Junction Road, Sterling, MA 01564-2305 USA T:978-422-3600 F:978-422-3700

EUROPE: Anderson Power Products® Ltd., Unit 3, Europa Court, Europa Boulevard, Westbrook, Warrington, Cheshire, WA5 7TN United Kingdom T: +44 (0) 1925 428390 F: +44 (0) 1925 428399

ASIA / PACIFIC: IDEAL Anderson Asia Pacific Ltd., Unit 922-928 Topsail Plaza, 11 On Sum Street, Shatin N.T., Hong Kong T: +(852) 2636 0836 F: +(852) 2635 9036

CHINA: IDEAL Anderson Technologies (Shenzhen) Ltd., Block A8 Tantou Western Industrial Park, Songgang Baoan District, Shenzhen, P.R. China 518105 T: +(86) 755 2768 2118 F: +(86) 755 2768 2218

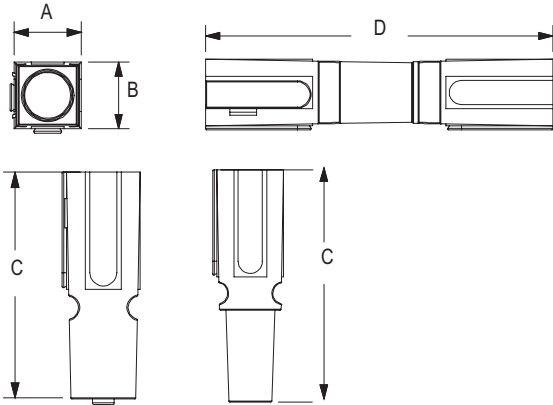
TAIWAN: IDEAL Anderson Asia Pacific Ltd., Taiwan Branch, 4F.-2, No.116, Dadun 20th St., Situn District, Taichung City 407, Taiwan (R.O.C.) T: +(886) 4 2310 6451 F: +(886) 4 2310 6460

www.andersonpower.com

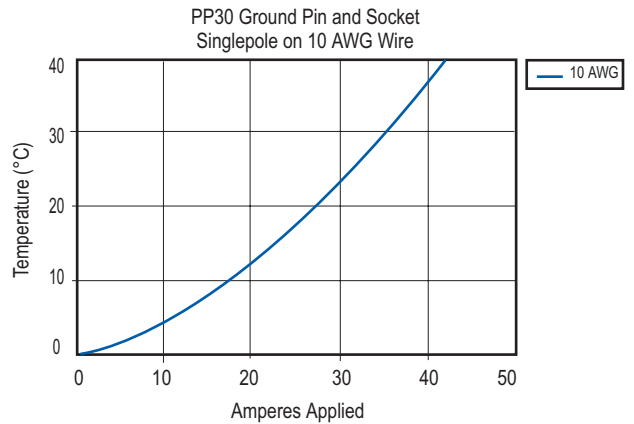
DIMENSIONS

Housings

Series	-A-		-B-		-C-		-D-	
	mm	in.	mm	in.	mm	in.	mm	in.
PP30 Pin	7.9	0.32	7.9	0.32	26.6	0.97	41.2	1.62
PP30 Socket	7.9	0.32	7.9	0.32	26.6	0.97	41.2	1.62

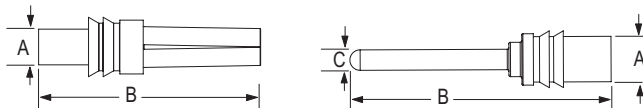


TEMPERATURE RISE CHART



Contacts

Series	-A-		-B-		-C-	
	mm	in.	mm	in.	mm	in.
PP30 Pin	5.1	0.20	29.2	1.15	2.29	0.09
PP30 Socket	5.1	0.20	24.9	0.98	N/A	N/A



X-ON Electronics

Largest Supplier of Electrical and Electronic Components

Click to view similar products for [Hand Tools](#) category:

Click to view products by [Anderson Power Products](#) manufacturer:

Other Similar products are found below :

[568681-1](#) [576786-2](#) [58061-1](#) [58176-1](#) [58177-1](#) [58177-2](#) [58284-1](#) [59085](#) [0031](#) [59737-5](#) [015-0339-000](#) [015-8755-001](#) [600-146-06](#) [M15570-25](#) [62200-5709](#) [6-304052-1](#) [63443-1002](#) [63443-3513](#) [63443-4025](#) [63443-7114](#) [6-354778-5](#) [6-354779-2](#) [63600-2995](#) [63810-0105](#)
[M8196914-08](#) [M819698-07](#) [662508-1](#) [662908-1](#) [679994-1](#) [679994-2](#) [68764-0001](#) [69001-0105](#) [69002-5525](#) [690124-7](#) [690191-1](#) [690191-4](#)
[690696-1](#) [691409-4](#) [691667-1](#) [692006-2](#) [692655-7](#) [692776-1](#) [692776-4](#) [693077-3](#) [693077-4](#) [693597-1](#) [D20418-137](#) [D20419-189](#) [ESR-17x17](#) [ET-LY10](#)