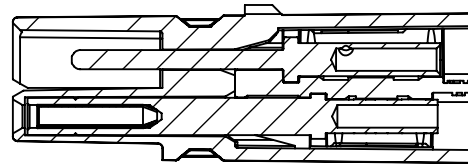
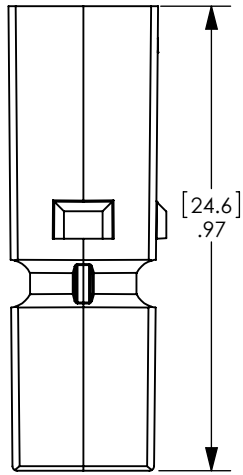


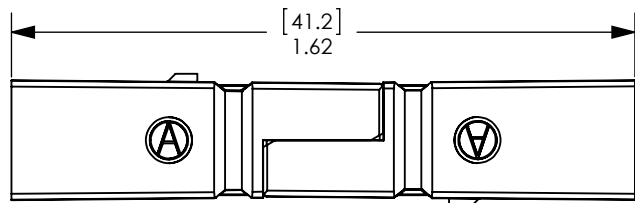
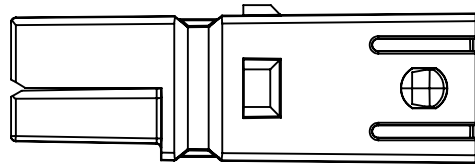
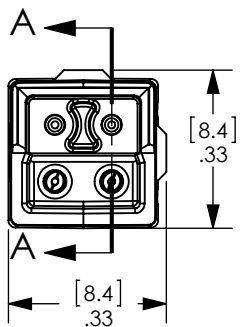
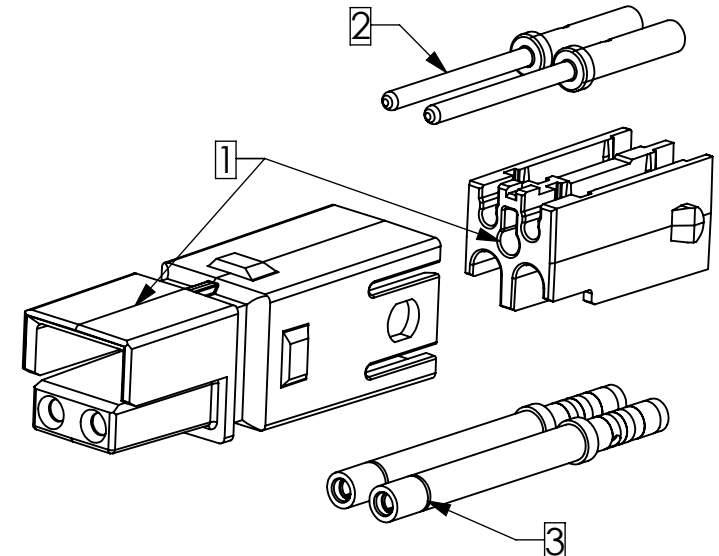
THE INFORMATION CONTAINED IN THIS DRAWING IS THE SOLE PROPERTY OF ANDERSON POWER PRODUCTS. ANY REPRODUCTION IN PART OR WHOLE WITHOUT THE WRITTEN PERMISSION OF ANDERSON POWER PRODUCTS IS PROHIBITED.

Copyright 2010

ANDERSON POWER PRODUCTS RESERVES THE RIGHT TO ALTER PRODUCT TYPES, THEIR TECHNICAL DATA, DIMENSION, STYLE AND ACCESSORIES WITHOUT PRIOR NOTIFICATION.



SECTION A-A



MATED LENGTH

ITEM	QTY	PART NO.	DESCRIPTION
1	1	4827G6-BK	PPMX HSG & HOLDER, BLACK
2	2	4803G3-BK	PPMX #20-24 AWG PIN, GOLD PL
3	2	4802G3-BK	PPMX #20-24 AWG SOCKET, GOLD PL

COMPLETE KIT PART NO: 4850G6

- NOTES:
- FOR MATERIAL AND PLATING INFORMATION- SEE DATA SHT.
 - ALL COMPONENTS PACKAGED IN SEPARATE POLYBAGS
 - REFER TO INSTRUCTION SHEET 1S6543

REV.	DESCRIPTION	APPRV	DATE
3	ECRN 14873: .33 WAS .31	CMS	4/1/11
2	ECRN 14644: REVISE CATALOG NUMBERS	CMS	6/22/10
1	ECRN 14642: ADD CATALOG NUMBERS, PPMX NAME	CMS	6/15/10

REVISIONS

DIMENSIONS ARE IN: INCH[MM]		APPROVALS		 ANDERSON POWER PRODUCTS	
UNLESS OTHERWISE STATED		DRAWN	CMS 5/20/10		
TOLERANCES:		CHECKED	DJD 5/21/10	PPMX CONNECTOR	
DECIMALS (INCH)	DECIMALS (MM)	ANGLES			
.XX ± .02	.X ± .5	±2°			
SURFACE FINISH:		MFG APP	CHB 5/21/10		
MACHINED 128 [3.2] ✓		QC APP	UFN 5/21/10		
MOLDED 64 [1.6] ✓		ENG APP	BD 5/21/10		
MATERIAL: SEE DATA SHT.		SIZE	DWG NO.	REV.	
FINISH: *****		A/A4	114950S1	3	
 3rd ANGLE PROJECTION		-CAD GENERATED DRAWING- DO NOT MANUALLY UPDATE DO NOT SCALE	SCALE	CADFILE	SHEET
		NONE	03082	1 OF 1	

X-ON Electronics

Largest Supplier of Electrical and Electronic Components

Click to view similar products for [Heavy Duty Power Connectors](#) category:

Click to view products by [Anderson Power Products](#) manufacturer:

Other Similar products are found below :

[647757-1](#) [6643411-1](#) [6646058-2](#) [6646137-1](#) [6646138-1](#) [6646479-1](#) [6646608-1](#) [6646786-1](#) [6646940-1](#) [6651091-1](#) [6651525-1](#) [6651529-1](#)
[6651788-1](#) [696475-1](#) [73000005059](#) [73000005642](#) [765-15-0080A](#) [765-16-0080B](#) [829992-1](#) [902-77-02113](#) [129-1J](#) [AN0024023](#) [E6374G1](#)
[e6389g2](#) [157-43GW8](#) [MS3117-14AC](#) [1643543-1](#) [1650540-1](#) [1651811-2](#) [1766260-1](#) [1766282-1](#) [1766966-1](#) [1791340000](#) [NLDFT-3-BL-L-](#)
[S120-M40A](#) [NLDFT-N-W-L-C240-M40B](#) [NLS-2-R-C240-M40B](#) [NLS-N-W-C240-M40B](#) [NPS-3-BL-T6](#) [1986615-1](#) [2-1589900-8](#) [2199314-1](#)
[KA8102](#) [9300480317](#) [SBS50BRN#6](#) [29131](#) [29652](#) [1646905-1](#) [1648320-1](#) [1648582-1](#) [1650195-2](#)