

8

7

6

5

4

3

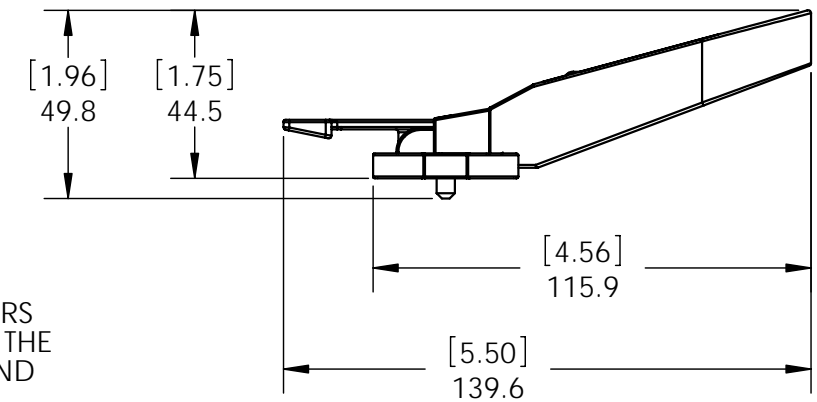
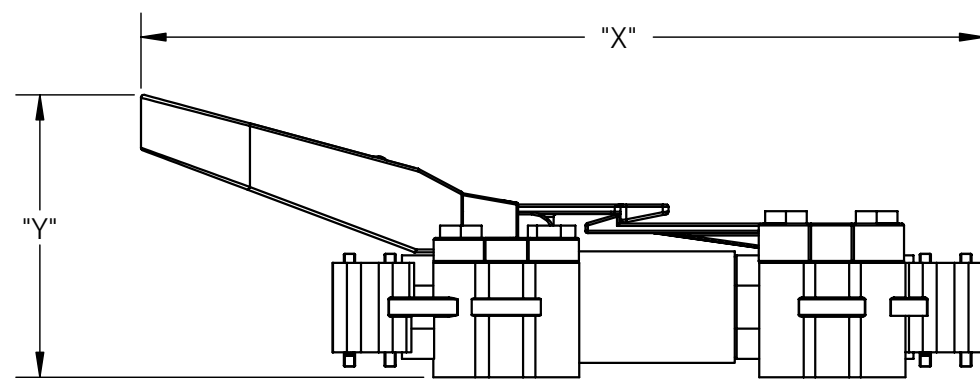
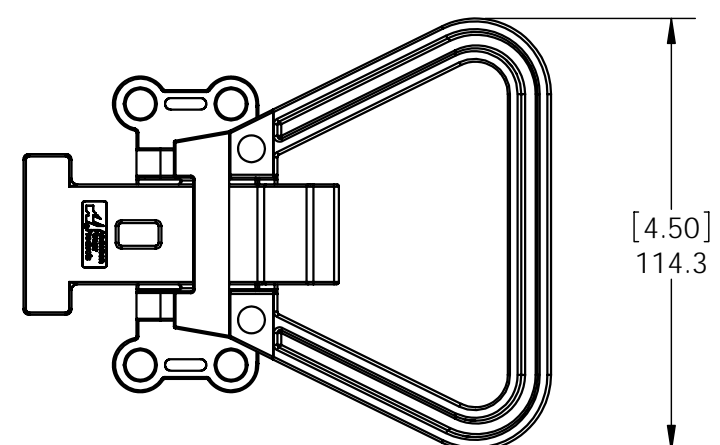
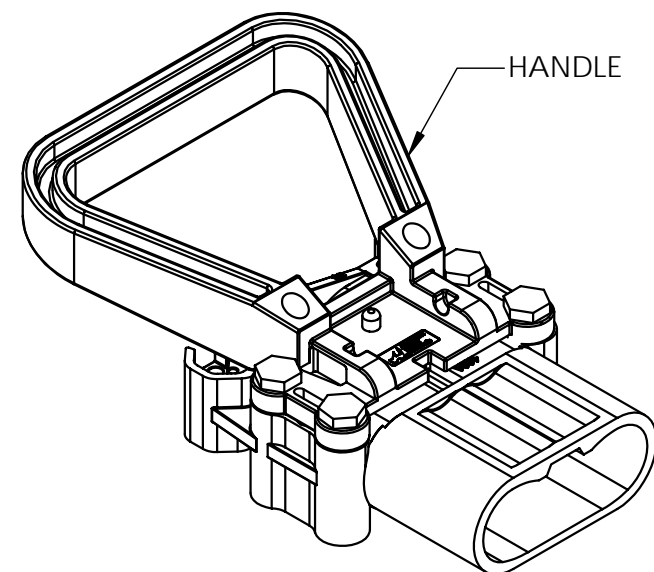
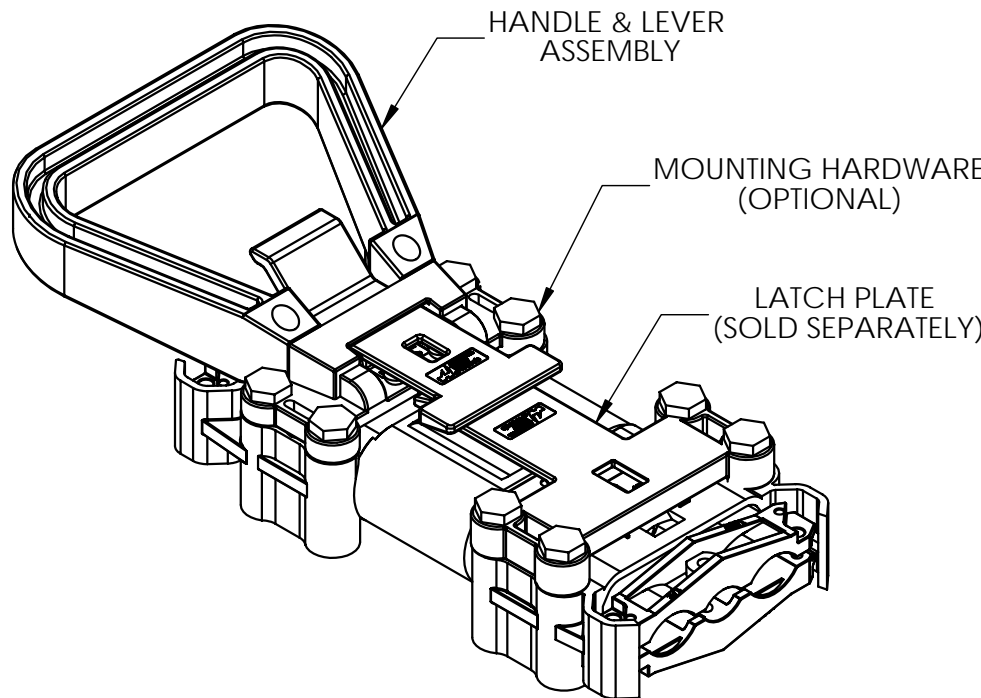
2

1

THE INFORMATION CONTAINED IN THIS DRAWING IS THE SOLE PROPERTY OF ANDERSON POWER PRODUCTS. ANY REPRODUCTION IN PART OR WHOLE WITHOUT THE WRITTEN PERMISSION OF ANDERSON POWER PRODUCTS IS PROHIBITED.

Copyright 2006

ANDERSON POWER PRODUCTS RESERVES THE RIGHT TO ALTER PRODUCT TYPES, THEIR TECHNICAL DATA, DIMENSION, STYLE AND ACCESSORIES WITHOUT PRIOR NOTIFICATION.



NOTES:

- 1. FOR USE WITH 160A & 320A DIN CONNECTORS
- 2. LATCH AND HANDLE CAN BE MOUNTED ON THE TOP (AS SHOWN) OR BOTTOM OF THE PIN AND SOCKET HOUSINGS
- 3. CONNECTORS AND LATCH PLATE SOLD SEPARATELY
- 4. HDW. BAG 106G17: (2) SCREWS, NUTS, AND WASHERS
HDW. BAG 106G11: (4) SCREWS, NUTS, AND WASHERS

| CAT. NO. | INCLUDES THE FOLLOWING: |
|-----------|--|
| A320H | HANDLE |
| A320H-MK | HANDLE, HARDWARE BAG |
| A320HL | HANDLE & LEVER ASSY. |
| A320HL-MK | HANDLE & LEVER ASSY., HARDWARE BAG |
| A320LP | LATCH PLATE |
| A320LP-MK | LATCH PLATE, HARDWARE BAG |
| 106G17 | HARDWARE BAG FOR HANDLE (A320H & A320HL) |
| 106G11 | HARDWARE BAG FOR LATCH (A320LP) |

| CONNECTOR USED ON | DIM "X" | | DIM "Y" | |
|-------------------|---------|-------|---------|------|
| | IN | MM | IN | MM |
| 160A SERIES | 8.70 | 220.9 | 2.95 | 74.8 |
| 320A SERIES | 9.21 | 233.9 | 3.24 | 82.2 |

| REV. | DESCRIPTION OF CHANGES | APPROVED | DATE |
|------|---|----------|----------|
| 2 | ECRN 14160 - CHANGE 106G17 QTY. FROM (4) TO (2) | AMS | 06/20/07 |
| 1 | ECRN 14076 - REVISE PART NUMBERS | AMS | 11/13/06 |

| | | | | |
|---|---------------|--------------------------|--------------|--|
| DIMENSIONS ARE IN: | MM[INCH] | APPROVALS | | ANDERSON POWER PRODUCTS SALES OUTLINE DIN HANDLE & LEVER ASSEMBLY FOR 160A & 320A DIN CONNECTORS |
| UNLESS OTHERWISE STATED | | DRAWN | AMS 07/31/06 | |
| TOLERANCES: | | CHECKED | DJD 08/01/06 | |
| DECIMALS (INCH) | DECIMALS (MM) | ANGLES | | |
| .XX ± .02 | .X ± .5 | ± 2° | | |
| SURFACE FINISH: | | MFG APP | CHB 08/01/06 | |
| MACHINED 128 [3.2] ✓ | | QC APP | UFN 08/01/06 | |
| MOLDED 64 [1.6] ✓ | | ENG APP | DAM 07/31/06 | |
| MATERIAL: SEE B/M | | SIZE | B/A3 | DWG NO. B02030S1 |
| FINISH: SEE B/M | | SCALE | NONE | CADFILE 02577 |
| 3rd ANGLE PROJECTION | | 1st ANGLE PROJECTION | | REV. 2 |
| -CAD GENERATED DRAWING- DO NOT MANUALLY UPDATE DO NOT SCALE | | | | SHEET 1 OF 1 |

8

7

6

5

4

3

2

1

E

D

C

B

A

E

D

C

B

A

X-ON Electronics

Largest Supplier of Electrical and Electronic Components

Click to view similar products for [Heavy Duty Power Connectors](#) category:

Click to view products by [Anderson Power Products](#) manufacturer:

Other Similar products are found below :

[647757-1](#) [6643411-1](#) [6646058-2](#) [6646137-1](#) [6646138-1](#) [6646479-1](#) [6646608-1](#) [6646786-1](#) [6646940-1](#) [6651091-1](#) [6651525-1](#) [6651529-1](#)
[6651788-1](#) [696475-1](#) [73000005059](#) [73000005642](#) [765-15-0080A](#) [765-16-0080B](#) [829992-1](#) [902-77-02113](#) [129-1J](#) [AN0024023](#) [E6374G1](#)
[e6389g2](#) [157-43GW8](#) [MS3117-14AC](#) [1643543-1](#) [1650540-1](#) [1651811-2](#) [1766260-1](#) [1766282-1](#) [1766966-1](#) [1791340000](#) [NLDFT-3-BL-L-](#)
[S120-M40A](#) [NLDFT-N-W-L-C240-M40B](#) [NLS-2-R-C240-M40B](#) [NLS-N-W-C240-M40B](#) [NPS-3-BL-T6](#) [1986615-1](#) [2-1589900-8](#) [2199314-1](#)
[KA8102](#) [9300480317](#) [SBS50BRN#6](#) [29131](#) [29652](#) [1646905-1](#) [1648320-1](#) [1648582-1](#) [1650195-2](#)