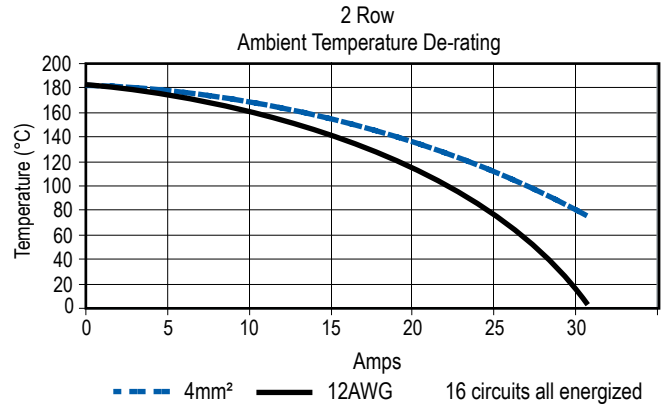
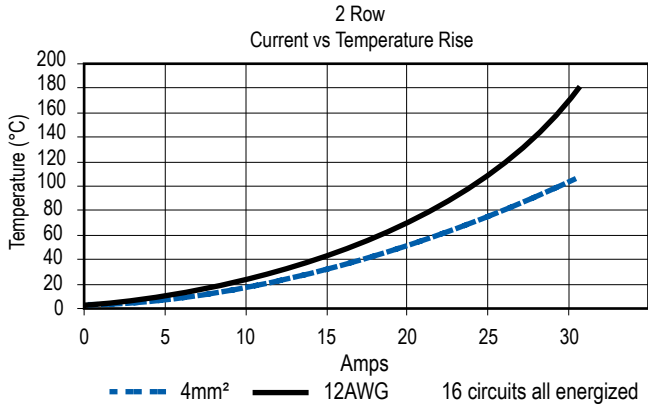


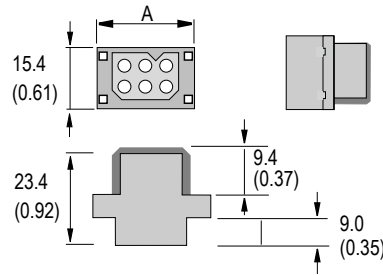
TEMPERATURE RISE CHARTS



DIMENSIONS - mm(in.)

Cable Connector

| ROWS CONTACTS | -A- | |
|---------------|------|------|
| | mm | in. |
| 2 - 06 | 28.5 | 1.12 |
| 2 - 08 | 33.5 | 1.32 |
| 2 - 12 | 43.5 | 1.71 |
| 2 - 16 | 53.5 | 2.11 |



See accessory section for panel clip and mounting clip cut-out dimensions.

ORDERING INFORMATION

Cable Connector

| Part Number | Description |
|-------------|----------------------------|
| PM206FOOLOO | 2x3 FEMALE Cable Connector |
| PM208FOOLOO | 2x4 FEMALE Cable Connector |
| PM212FOOLOO | 2x6 FEMALE Cable Connector |
| PM216FOOLOO | 2x8 FEMALE Cable Connector |

Panel Mount With Mounting Clip

| Part Number | Description |
|-------------|----------------------------|
| PM206FOOLMC | 2x3 FEMALE Cable Connector |
| PM208FOOLMC | 2x4 FEMALE Cable Connector |
| PM212FOOLMC | 2x6 FEMALE Cable Connector |
| PM216FOOLMC | 2x8 FEMALE Cable Connector |

With Clam Shell Hood & Strain Relief

| Part Number | Description |
|-------------|----------------------------|
| PM206FOOLCH | 2x3 FEMALE Cable Connector |
| PM208FOOLCH | 2x4 FEMALE Cable Connector |
| PM212FOOLCH | 2x6 FEMALE Cable Connector |
| PM216FOOLCH | 2x8 FEMALE Cable Connector |

Panel Mount With Screws

| Part Number | Description |
|-------------|----------------------------|
| PM206FOOLSC | 2x3 FEMALE Cable Connector |
| PM208FOOLSC | 2x4 FEMALE Cable Connector |
| PM212FOOLSC | 2x6 FEMALE Cable Connector |
| PM216FOOLSC | 2x8 FEMALE Cable Connector |

With Snap-in Panel Clip

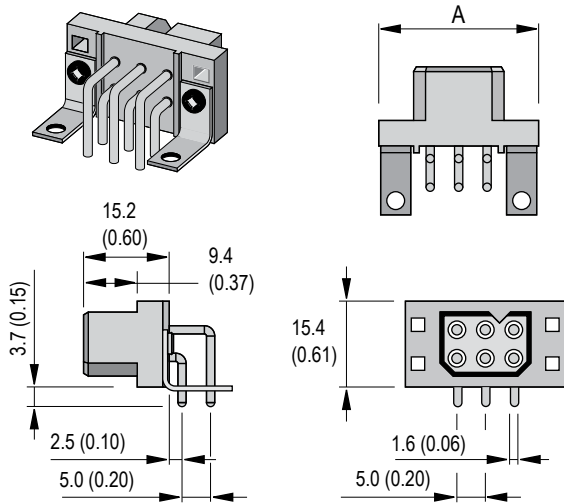
| Part Number | Description |
|-------------|----------------------------|
| PM206FOOLPC | 2x3 FEMALE Cable Connector |
| PM208FOOLPC | 2x4 FEMALE Cable Connector |
| PM212FOOLPC | 2x6 FEMALE Cable Connector |
| PM216FOOLPC | 2x8 FEMALE Cable Connector |

Crimp Contacts

| Part Number | Description | Wire | |
|--------------|-------------|----------|-------------|
| | | AWG | sq. mm |
| PM16S2024S32 | Socket | #24 / 20 | 0.50 / 0.75 |
| PM16S1620S32 | Socket | #20 / 16 | 0.50 / 1.5 |
| PM16S1416S32 | Socket | #16 / 14 | 1.5 / 2.5 |
| PM16S12S32 | Socket | #12 | 2.5 / 4.0 |

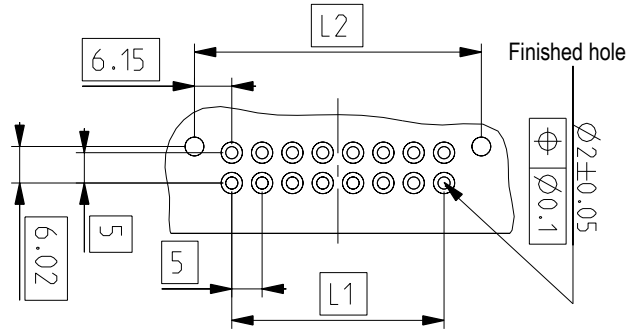
DIMENSIONS - mm(in.)

2 Row - PCB Right Angle Connector



2 Row - PCB Hole Layout For Right Angle Connector

| ROWS CONTACTS | A | | L1 | | L2 | |
|---------------|------|------|----|------|------|------|
| | mm | in. | mm | in. | mm | in. |
| 2 - 06 | 28.5 | 1.12 | 10 | 0.39 | 22.3 | 0.88 |
| 2 - 08 | 33.5 | 1.32 | 15 | 0.59 | 27.3 | 1.07 |
| 2 - 12 | 43.5 | 1.71 | 25 | 0.98 | 37.3 | 1.47 |
| 2 - 16 | 53.5 | 2.11 | 35 | 1.38 | 47.3 | 1.86 |



ORDERING INFORMATION

With Latch

| Part Number | Description |
|-------------|-----------------------------------|
| PM206FRALOO | 2x3 FEMALE Right Angle PCB Solder |
| PM208FRALOO | 2x4 FEMALE Right Angle PCB Solder |
| PM212FRALOO | 2x6 FEMALE Right Angle PCB Solder |
| PM216FRALOO | 2x8 FEMALE Right Angle PCB Solder |

No Latch

| Part Number | Description |
|-------------|-----------------------------------|
| PM206FRAOOO | 2x3 FEMALE Right Angle PCB Solder |
| PM208FRAOOO | 2x4 FEMALE Right Angle PCB Solder |
| PM212FRAOOO | 2x6 FEMALE Right Angle PCB Solder |
| PM216FRAOOO | 2x8 FEMALE Right Angle PCB Solder |

Right Angle PCB Snap Bracket & Latch

| Part Number | Description |
|-------------|-----------------------------------|
| PM206FRALSB | 2x3 FEMALE Right Angle PCB Solder |
| PM208FRALSB | 2x4 FEMALE Right Angle PCB Solder |
| PM212FRALSB | 2x6 FEMALE Right Angle PCB Solder |
| PM216FRALSB | 2x8 FEMALE Right Angle PCB Solder |

Right Angle PCB Snap Bracket & No Latch

| Part Number | Description |
|-------------|-----------------------------------|
| PM206FRAOSB | 2x3 FEMALE Right Angle PCB Solder |
| PM208FRAOSB | 2x4 FEMALE Right Angle PCB Solder |
| PM212FRAOSB | 2x6 FEMALE Right Angle PCB Solder |
| PM216FRAOSB | 2x8 FEMALE Right Angle PCB Solder |

Right Angle PCB Bracket With Hole & Latch

| Part Number | Description |
|-------------|-----------------------------------|
| PM206FRALHB | 2x3 FEMALE Right Angle PCB Solder |
| PM208FRALHB | 2x4 FEMALE Right Angle PCB Solder |
| PM212FRALHB | 2x6 FEMALE Right Angle PCB Solder |
| PM216FRALHB | 2x8 FEMALE Right Angle PCB Solder |

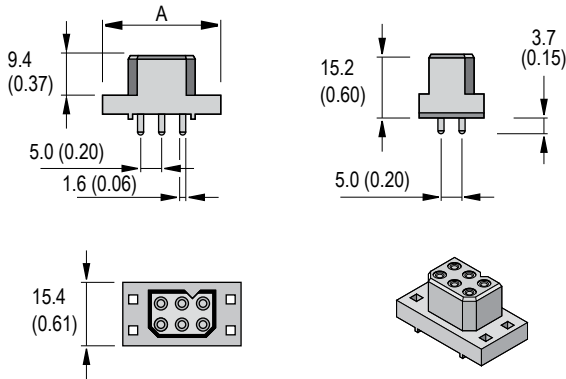
Right Angle PCB Bracket With Hole & No Latch

| Part Number | Description |
|-------------|-----------------------------------|
| PM206FRAOHB | 2x3 FEMALE Right Angle PCB Solder |
| PM208FRAOHB | 2x4 FEMALE Right Angle PCB Solder |
| PM212FRAOHB | 2x6 FEMALE Right Angle PCB Solder |
| PM216FRAAHB | 2x8 FEMALE Right Angle PCB Solder |

PCB contacts and mounting accessories are designed for a board thickness of 1.60mm (.063) with a contact protrusion of 2.10 (.083). Other contact lengths are available upon request.

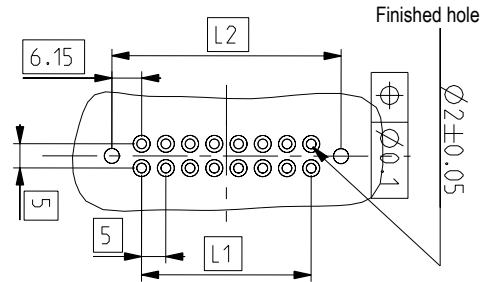
DIMENSIONS - mm(in.)

2 Row - PCB Straight Solder Connector



2 Row - PCB Hole Layout For Straight Solder Connector

| ROWS CONTACTS | A | | L1 | | L2 | |
|---------------|------|------|----|------|------|------|
| | mm | in. | mm | in. | mm | in. |
| 2 - 06 | 28.5 | 1.12 | 10 | 0.39 | 22.3 | 0.88 |
| 2 - 08 | 33.5 | 1.32 | 15 | 0.59 | 27.3 | 1.07 |
| 2 - 12 | 43.5 | 1.71 | 25 | 0.98 | 37.3 | 1.47 |
| 2 - 16 | 53.5 | 2.11 | 35 | 1.38 | 47.3 | 1.86 |



ORDERING INFORMATION

With Latch

| Part Number | Description |
|-------------|--------------------------------|
| PM206FBALOO | 2x3 FEMALE Straight PCB Solder |
| PM208FBALOO | 2x4 FEMALE Straight PCB Solder |
| PM212FBALOO | 2x6 FEMALE Straight PCB Solder |
| PM216FBALOO | 2x8 FEMALE Straight PCB Solder |

No Latch

| Part Number | Description |
|-------------|--------------------------------|
| PM206FBAOOO | 2x3 FEMALE Straight PCB Solder |
| PM208FBAOOO | 2x4 FEMALE Straight PCB Solder |
| PM212FBAOOO | 2x6 FEMALE Straight PCB Solder |
| PM216FBAOOO | 2x8 FEMALE Straight PCB Solder |

Push on PCB Fastener & Latch

| Part Number | Description |
|-------------|--------------------------------|
| PM206FBALSP | 2x3 FEMALE Straight PCB Solder |
| PM208FBALSP | 2x4 FEMALE Straight PCB Solder |
| PM212FBALSP | 2x6 FEMALE Straight PCB Solder |
| PM216FBALSP | 2x8 FEMALE Straight PCB Solder |

Push on PCB Fastener & No Latch

| Part Number | Description |
|-------------|--------------------------------|
| PM206FBAOSP | 2x3 FEMALE Straight PCB Solder |
| PM208FBAOSP | 2x4 FEMALE Straight PCB Solder |
| PM212FBAOSP | 2x6 FEMALE Straight PCB Solder |
| PM216FBAOSP | 2x8 FEMALE Straight PCB Solder |

Self-tapping Screws For PCB Mount & Latch

| Part Number | Description |
|-------------|--------------------------------|
| PM206FBALST | 2x3 FEMALE Straight PCB Solder |
| PM208FBALST | 2x4 FEMALE Straight PCB Solder |
| PM212FBALST | 2x6 FEMALE Straight PCB Solder |
| PM216FBALST | 2x8 FEMALE Straight PCB Solder |

Self-tapping Screws For PCB Mount & No Latch

| Part Number | Description |
|-------------|--------------------------------|
| PM206FBAOST | 2x3 FEMALE Straight PCB Solder |
| PM208FBAOST | 2x4 FEMALE Straight PCB Solder |
| PM212FBAOST | 2x6 FEMALE Straight PCB Solder |
| PM216FBAOST | 2x8 FEMALE Straight PCB Solder |

PCB contacts and mounting accessories are designed for a board thickness of 1.60mm (.063) with a contact protrusion of 2.10 (.083). Other contact lengths are available upon request.

X-ON Electronics

Largest Supplier of Electrical and Electronic Components

Click to view similar products for [Heavy Duty Power Connectors](#) category:

Click to view products by [Anderson Power Products](#) manufacturer:

Other Similar products are found below :

[647757-1](#) [6643411-1](#) [6646058-2](#) [6646137-1](#) [6646138-1](#) [6646479-1](#) [6646608-1](#) [6646786-1](#) [6646940-1](#) [6651091-1](#) [6651525-1](#) [6651529-1](#)
[6651788-1](#) [696475-1](#) [73000005059](#) [73000005642](#) [765-15-0080A](#) [765-16-0080B](#) [829992-1](#) [902-77-02113](#) [129-1J](#) [AN0024023](#) [E6374G1](#)
[e6389g2](#) [157-43GW8](#) [MS3117-14AC](#) [1643543-1](#) [1650540-1](#) [1651811-2](#) [1766260-1](#) [1766282-1](#) [1766966-1](#) [1791340000](#) [NLDFT-3-BL-L-](#)
[S120-M40A](#) [NLDFT-N-W-L-C240-M40B](#) [NLS-2-R-C240-M40B](#) [NLS-N-W-C240-M40B](#) [NPS-3-BL-T6](#) [1986615-1](#) [2-1589900-8](#) [2199314-1](#)
[KA8102](#) [9300480317](#) [SBS50BRN#6](#) [29131](#) [29652](#) [1646905-1](#) [1648320-1](#) [1648582-1](#) [1650195-2](#)