

PowerMod HP connectors, developed by Anderson Power Products, are the innovative New Generation of High Power Interconnections for the Electronics Industry.

The touch-safe, positive latching, PowerMod HP female connector design presents a new standard for high power connector safety. The ergonomic latch release is simple to operate and is colored blue for clear identification. Housings are a black UL94V-O flame retardant material.

PowerMod HP contacts are durable and rated for circuit interruption (true hot-pluggable). Size A contacts are available in #6 to #2 American wire gauge and 16mm² to 35mm² metric wire sizes for global design freedom. Our optional strain relief ensures superior contact reliability under adverse operating conditions.

APP PowerMod HP connectors embody the highest quality in the industry and meet all applicable industry standards.

Features

- Positive latching**
Integral latches with ergonomic release provide over 50 lbs retention
- Strain relief option**
Reduces risk of wire insulation creep and reduces transmission of wire loads to contacts improving service life
- Low connector mating forces**
Connectors can be mated and unmated with one hand without the use mechanical aids
- Silver plated, high conductivity contacts**
Offers greater longevity for high power, elevated temperature applications
- Ease of assembly**
Intuitive design allows for simplicity of assembly



SPECIFICATIONS

Electrical		Mechanical	
Current Rating		Mating Force	15 lbs. (66.72N) avg
UL	160 Amps	Latch Retention Force	50 lbs. (222N) min
EN	160 Amps	Contact Retention Force	100 lbs. (445N) min
CSA	125 Amps	Mating	
UL Voltage Rating	600 Volts	a. No Load(Contact/Disconnect Cycles)	500 Cycles
Wire Size (inches)	#6 to #2	b. Under Load(Hot Plug 250 cycles @ 120V)	80A
(mm ²)	16mm ² to 35mm ²	Materials	
Insulation Withstanding Voltage	2200 Volts	Housing & Cable Clamp	PBT
Operating Temperature Range °C	minus 40-130 °C	Latch	PEI
Ambient Temperature Range °C	minus 40-85 °C	Contacts	Copper alloy silver plate
		Hardware	Steel zinc chromate

ORDERING INFORMATION

PowerMod Part Number Plan - Dual Pole Male

Series	Size	Gender	Model	Wire Size
PMHP	A	M	11	P05
A *				
M - Male				
11 - Dual Pole Straight				
12 - Dual Pole Straight with Cable Clamp				
P05 - 6 awg				
P04 - 16mm ²				
P03 - 4 awg				
P02 - 25mm ²				
P01 - 2 awg & 35mm				
* Maximum wire size 2 awg or 35mm ²				

COMPONENTS

Part Number	Description
PMHPAM11	Housing Kit, Male, Dual Pole, Straight
PMHPAM12	Housing Kit with Cable Clamp, Male, Dual Pole, Straight
PMHPAP05	Pin, Size A, Crimp for 6 awg wire
PMHPAP04	Pin, Size A, Crimp for 16mm ² wire
PMHPAP03	Pin, Size A, Crimp for 4 awg wire
PMHPAP02	Pin, Size A, Crimp for 25mm ² wire
PMHPAP01	Pin, Size A, Crimp for 2 awg & 35mm ² wire
PMHPAC02	Dual Pole Cable Clamp Kit

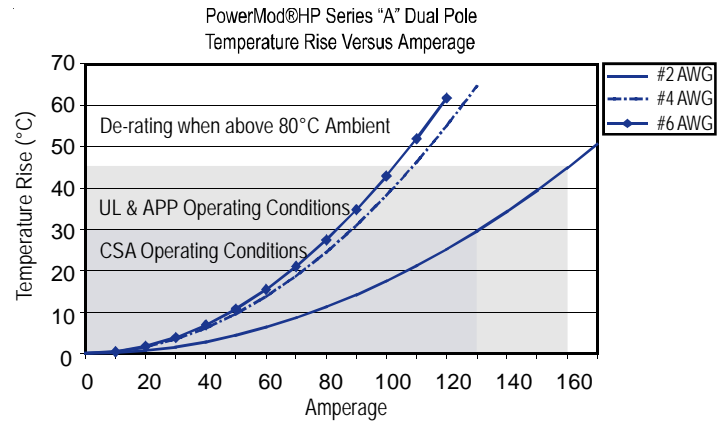
ORDERING INFORMATION

TOOLING

Part Number	Description
1387G2	Production Tool - Pneumatic
1304G19	Locator for 1387G2, Size A Pin Contacts
1303G14	Die for 1387G2, 6 AWG wire
1303G14	Die for 1387G2, 16mm ² wire
1303G14	Die for 1387G2, 4 AWG wire
1303G13	Die for 1387G2, 25mm ² wire
1303G13	Die for 1387G2, 2 AWG & 35mm ² wire
1387G3	Hand Tool - Hydraulic
1370	Hand Tool - Battery
1322G9	Die for 1387G3 & 1370, 6 AWG wire
1322G10	Die for 1387G3 & 1370, 16mm ² wire
1322G8	Die for 1387G3 & 1370, 4 AWG wire
1322G11	Die for 1387G3 & 1370, 25mm ² wire
1322G7	Die for 1387G3 & 1370, 2 AWG & 35mm ² wire

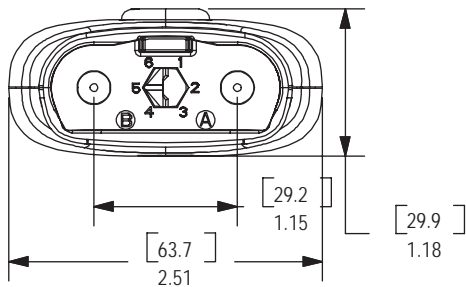
* 1370 & 1387G3 use the same die sets

TEMPERATURE CHART

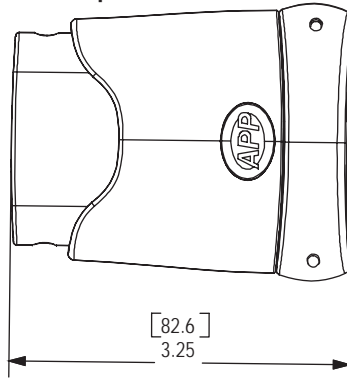


DIMENSIONS

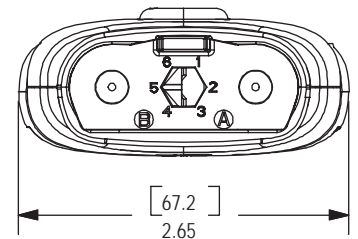
Front
Without Strain Relief



Side
With Optional Strain Relief

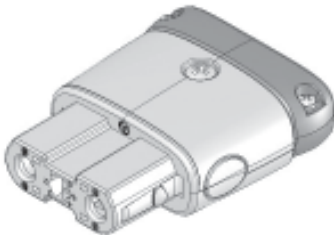


Front
With Strain Relief

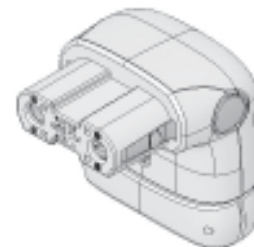


MATING CONNECTORS

Dual Pole Straight Female



Dual Pole Right Angle Female



DS-ADPM REV02

X-ON Electronics

Largest Supplier of Electrical and Electronic Components

Click to view similar products for [Heavy Duty Power Connectors](#) category:

Click to view products by [Anderson Power Products](#) manufacturer:

Other Similar products are found below :

[647757-1](#) [6643411-1](#) [6646058-2](#) [6646137-1](#) [6646138-1](#) [6646479-1](#) [6646608-1](#) [6646786-1](#) [6646940-1](#) [6651091-1](#) [6651525-1](#) [6651529-1](#)
[6651788-1](#) [696475-1](#) [73000005059](#) [73000005642](#) [765-15-0080A](#) [765-16-0080B](#) [829992-1](#) [902-77-02113](#) [129-1J](#) [AN0024023](#) [E6374G1](#)
[e6389g2](#) [157-43GW8](#) [MS3117-14AC](#) [1643543-1](#) [1650540-1](#) [1651811-2](#) [1766260-1](#) [1766282-1](#) [1766966-1](#) [1791340000](#) [NLDFT-3-BL-L-](#)
[S120-M40A](#) [NLDFT-N-W-L-C240-M40B](#) [NLS-2-R-C240-M40B](#) [NLS-N-W-C240-M40B](#) [NPS-3-BL-T6](#) [1986615-1](#) [2-1589900-8](#) [2199314-1](#)
[KA8102](#) [9300480317](#) [SBS50BRN#6](#) [29131](#) [29652](#) [1646905-1](#) [1648320-1](#) [1648582-1](#) [1650195-2](#)