

PowerMod HP connectors, developed by Anderson Power Products, are the innovative New Generation of High Power Interconnections for the Electronics Industry.

The touch-safe PowerMod HP female panel connector is designed for high power connector safety. Male panel connectors are designed for blind mating with female panel connectors or positive latching with female cable connectors. Housings are a black UL94 V-0 flame retardant material.

PowerMod HP contacts are durable and rated for circuit interruption (true hot-pluggable). Series B contacts are available in 1/0 to 4/0 American wire gauge and 50mm<sup>2</sup> to 95mm<sup>2</sup> metric wire sizes for global design freedom.

Our optional blind mating hardware accommodates up to +/- .125" (3mm) of misalignment and is available for both male and female panel connectors.

The PowerMod HP connectors embody the highest quality in the industry and meet all applicable industry standards.

### Features

- **Blind mate panel mount option**

*Provides over +/- .125" (3mm) of float mount capability*

- **Touch safe female connectors**

*Provides IP20 protection for safe, energized use outside the electronics cabinet*

- **High performance, hot pluggable female contacts**

*Our patented design provides greater longevity for high power, elevated temperature applications*

- **Low connector mating forces**

*Connectors are easily mated and un-mated*

- **Ease of assembly**

*Intuitive design allows for simplicity of assembly*



## SPECIFICATIONS

### Electrical

Current Rating (Amperes)	
UL	400
CSA (30°C Rise)	250
UL / CSA Voltage Rating	600
Wire Size (AWG)	1/0 to 4/0
(mm <sup>2</sup> )	50 to 95
Dielectric Withstanding Voltage (AC)	2200
Operating Temperature (°C)	-40° to 130°
(°F)	-40° to 266°
Ambient Temperature (°C)	-40° to 85°
(°F)	-40° to 185°

### Mechanical

Mating Force	33 lbs. (147N) avg
Latch Retention Force	50 lbs. (222N) min
Contact Retention Force	150 lbs. (667N) min
Mating	
a. No Load (mating cycles)	500
b. Under Load (Hot Plug 250 mating cycles @ 120V)	150A

### Materials

Housing & Cable Clamp	PBT UL94 V-0
Latch	PEI UL94 V-0
Contacts	Copper alloy silver plate
Hardware	Steel zinc chromate



## ORDERING INFORMATION

### PowerMod HP Part Number Plan - Dual Pole Panel Mount Blind Mate Female

Series	Series	Gender	Model	Wire Size
PMHP	B	F	14	S04

B \*  
F - Female  
14 - Dual Pole Female Panel Mount  
S04 - 1/0 AWG to 50mm<sup>2</sup>  
S03 - 2/0 AWG to 70mm<sup>2</sup>  
S02 - 95mm<sup>2</sup>  
S01 - 4/0 AWG

\* Maximum wire size 4/0 AWG

### Components

Part Number	Description
PMHPBF14	Housing Kit, Female, Dual Pole, Panel Mount
PMHPBS04	Socket, Series B, Crimp for 1/0 AWG to 50mm <sup>2</sup> wire
PMHPBS03	Socket, Series B, Crimp for 2/0 AWG to 70mm <sup>2</sup> wire
PMHPBS02	Socket, Series B, Crimp for 95mm <sup>2</sup> wire
PMHPBS01	Socket, Series B, Crimp for 4/0 AWG wire
PMHPBFMH	Float Mount Kit

# Dual Pole Panel Mount Blind Mate Female - Series B

## ORDERING INFORMATION

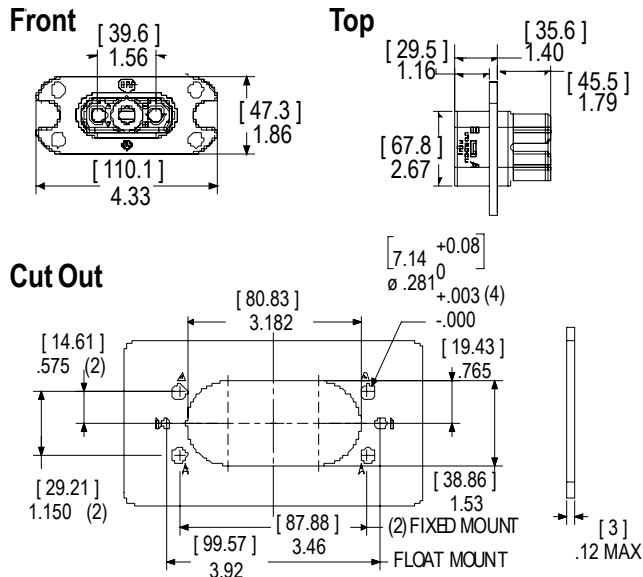
### Tooling

Pneumatic Production Tool				
Wire Size	Part Number	Die P/N	Locator P/N	Number of Crimps
4/0	1387G2	1303G3	1304G25	2
95mm <sup>2</sup>	1387G2	1303G17	1304G25	2
2/0-70mm <sup>2</sup>	1387G2	1303G16	1304G23	2
1/0-50mm <sup>2</sup>	1387G2	1303G8	1304G23	2

Hand Tool				
Wire Size	Hydraulic	Battery	Die P/N	Number of Crimps
4/0	1387G3	1370G1	1322G14	2
95mm <sup>2</sup>	1387G3	1370G1	1322G1	2
2/0-70mm <sup>2</sup>	1387G3	1370G1	1322G3	2
1/0-50mm <sup>2</sup>	1387G3	1370G1	1322G13	2

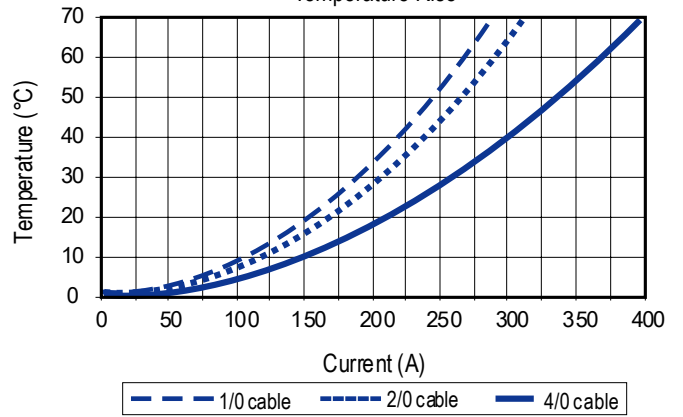
Hydraulic Tool		
Wire Size	Part Number	Number of Crimps
4/0	1368	2
95mm <sup>2</sup>	1368	2
2/0-70mm <sup>2</sup>	1368	2
1/0-50mm <sup>2</sup>	1368	2

## DIMENSIONS



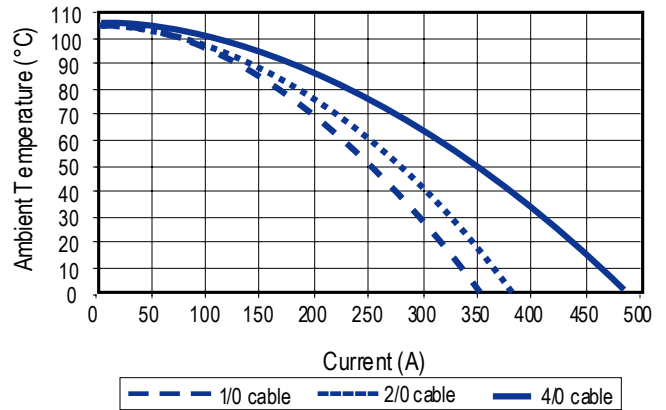
## TEMPERATURE CHART

PowerMod@HP Dual Pole Series "B"  
Temperature Rise



\* Double crimp is required to achieve stated electrical specifications

PowerMod@HP Dual Pole De-rating Curve Series "B"  
Per IEC 60512-5



\* Double crimp is required to achieve stated electrical specifications

## MATING CONNECTORS

### Dual Pole Panel Mount Blind Mate Male



All Data Subject To Change Without Notice

2017-0070 DS-BDPPMBMF REV 6

© 2017 Anderson Power Products, Inc. All rights reserved. APP®, Anderson Power Products®, PowerMod® and the APP Logo are registered trademarks of Anderson Power Products, Inc.

**HEADQUARTERS:** Anderson Power Products®, 13 Pratts Junction Road, Sterling, MA 01564-2305 USA T: 978-422-3600 F: 978-422-0128 • **EUROPE:** Anderson Power Products® Ltd., Unit 3, Europa Court, Europa Boulevard, Westbrook, Warrington, Cheshire, WA5 7TN United Kingdom T: +44 (0) 1925 428390 F: +44 (0) 1925 520203 • **ASIA / PACIFIC:** IDEAL Anderson Asia Pacific Ltd., Unit 922-928 Topsail Plaza, 11 On Sum Street, Shatin N.T., Hong Kong T: +(852) 2636 0836 F: +(852) 2635 9036 • **CHINA:** IDEAL Anderson Technologies (Shenzhen) Ltd., Block A8 Tantou Western Industrial Park, Songgang Baoan District, Shenzhen, P.R. China 518105 T: +(86) 755 2768 2118 F: +(86) 755 2768 2218 • **TAIWAN:** IDEAL Anderson Asia Pacific Ltd., Taiwan Branch, 4F.-2, No.116, Dadun 20th St., Situn District, Taichung City 407, Taiwan (R.O.C.) T: +(886) 4 2310 6451 F: +(886) 4 2310 6460 • [www.andersonpower.com](http://www.andersonpower.com)

## X-ON Electronics

Largest Supplier of Electrical and Electronic Components

*Click to view similar products for [Heavy Duty Power Connectors](#) category:*

*Click to view products by [Anderson Power Products](#) manufacturer:*

Other Similar products are found below :

[647757-1](#) [6643411-1](#) [6646058-2](#) [6646137-1](#) [6646138-1](#) [6646479-1](#) [6646608-1](#) [6646786-1](#) [6646940-1](#) [6651091-1](#) [6651525-1](#) [6651529-1](#)  
[6651788-1](#) [696475-1](#) [73000005059](#) [73000005642](#) [765-15-0080A](#) [765-16-0080B](#) [829992-1](#) [902-77-02113](#) [129-1J](#) [AN0024023](#) [E6374G1](#)  
[e6389g2](#) [157-43GW8](#) [MS3117-14AC](#) [1643543-1](#) [1650540-1](#) [1651811-2](#) [1766260-1](#) [1766282-1](#) [1766966-1](#) [1791340000](#) [NLDFT-3-BL-L-](#)  
[S120-M40A](#) [NLDFT-N-W-L-C240-M40B](#) [NLS-2-R-C240-M40B](#) [NLS-N-W-C240-M40B](#) [NPS-3-BL-T6](#) [1986615-1](#) [2-1589900-8](#) [2199314-1](#)  
[KA8102](#) [9300480317](#) [SBS50BRN#6](#) [29131](#) [29652](#) [1646905-1](#) [1648320-1](#) [1648582-1](#) [1650195-2](#)