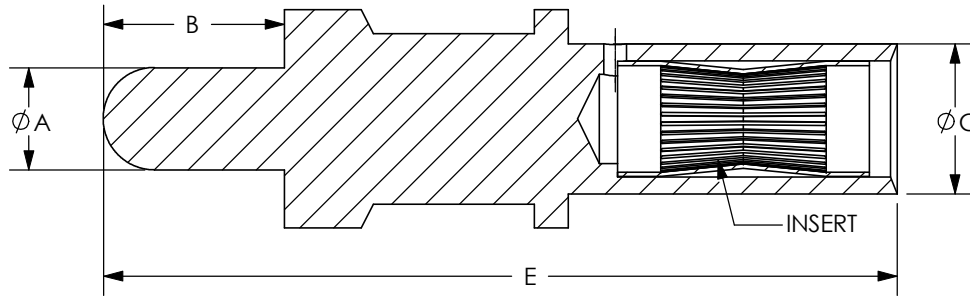
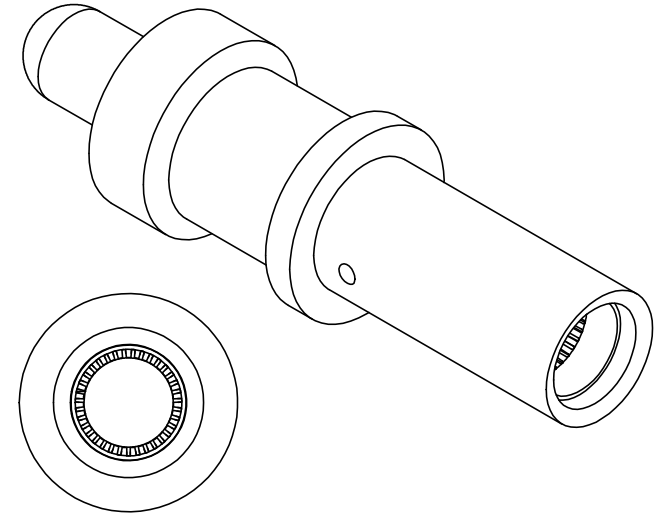
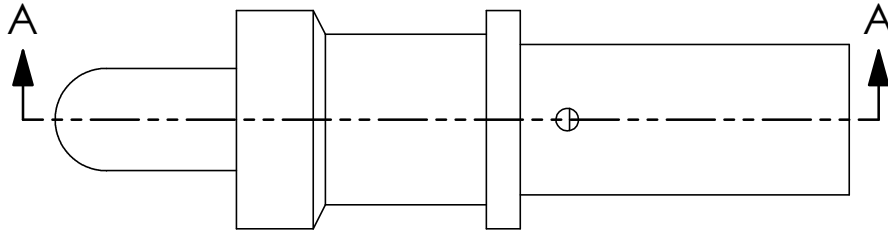


THE INFORMATION CONTAINED IN THIS DRAWING IS THE SOLE PROPERTY OF ANDERSON POWER PRODUCTS. ANY REPRODUCTION IN PART OR WHOLE WITHOUT THE WRITTEN PERMISSION OF ANDERSON POWER PRODUCTS IS PROHIBITED.

ANDERSON POWER PRODUCTS RESERVES THE RIGHT TO ALTER PRODUCT TYPES, THEIR TECHNICAL DATA, DIMENSION, STYLE AND ACCESSORIES WITHOUT PRIOR NOTIFICATION.

REV.	DESCRIPTION OF CHANGES	BY:	DATE
1	ECRN 13607	CMS	7/8/03
2	ECRN 13614	CMS	8/14/03
3	ECRN 13619	CMS	8/26/03
4	ECRN 13636	CMS	11/12/03
5	ECRN 13896-ADD LUBE SPEC	DD	8/25/05
6	ECRN 14415: SHOW THRU HOLE	CMS	4/11/09



SECTION A-A

DIM	A		B		C		E	
PART NO.	IN	MM	IN	MM	IN	MM	IN	MM
SP08-SN	.14	3.6	.31	7.8	.21	5.3	1.10	28.0
SP12-SN	.09	2.4	.25	6.4	.16	4.1	1.03	26.2
SP16-SN	.06	1.6	.19	4.7	.12	3.0	1.00	25.4
SP20-GN	.04	1.0	.20	5.1	.08	2.0	.98	25.0
SP12-SN300	.09	2.4	.31	7.8	.16	4.1	1.10	28.0
SP20-GN300	.04	1.0	.31	7.8	.08	2.0	1.10	28.0

- ①
- ②
- ③
- ④

NOTES:

1. SPO8-SN FOR USE IN 75 AMP POWER DRAWER ONLY
2. SP16-SN FOR USE IN 35 AMP POWER DRAWER ONLY
3. MATERIALS: SOCKET BODY- COPPER ALLOY  
SOCKET INSERT- BeCu
4. PLATING: SOCKET INSERTS- GOLD OVER NICKEL  
"SN" PART NUMBERS: BODY IS PLATED SILVER OVER NICKEL  
"-GN" PART NUMBERS: BODY IS PLATED GOLD OVER NICKEL
5. LUBE PER SPEC 1S1136

COPYRIGHT 2003 ANDERSON POWER PRODUCTS. ALL RIGHTS RESERVED. UNAUTHORIZED REPRODUCTION HEREBY PROHIBITED.

DIMENSIONS ARE IN INCHES DIMENSIONS IN PARENTHESES [ ] ARE IN MILLIMETERS		CAD GENERATED DRAWING. DO NOT MANUALLY UPDATE		<b>ANDERSON POWER PRODUCTS</b>	
TOLERANCES ARE: 2PL- ±.02 [±.5]		APPROVALS DATE			
MATERIALS: SEE NOTES		DRAWN	CMS	6/13/03	SOCKET PCB CONTACTS FOR POWER DRAWER SERIES CONNECTORS
FINISH SEE NOTES		CHECKED	DJD	6/13/03	
DO NOT SCALE DRAWING		RESP ENG	MAW	6/18/03	
		MFG ENG	DAM	6/18/03	
		QUAL ENG	RPO	6/18/03	SIZE SPECIFICATION: <b>A 114445S1</b>
		SCALE NONE		CADFILES/01770	REV. <b>6</b>
				SHEET 1 OF 1	

## X-ON Electronics

Largest Supplier of Electrical and Electronic Components

*Click to view similar products for [Heavy Duty Power Connectors](#) category:*

*Click to view products by [Anderson Power Products](#) manufacturer:*

Other Similar products are found below :

[647757-1](#) [6643411-1](#) [6646058-2](#) [6646137-1](#) [6646138-1](#) [6646479-1](#) [6646608-1](#) [6646786-1](#) [6646940-1](#) [6651091-1](#) [6651525-1](#) [6651529-1](#)  
[6651788-1](#) [696475-1](#) [73000005059](#) [73000005642](#) [765-15-0080A](#) [765-16-0080B](#) [829992-1](#) [902-77-02113](#) [129-1J](#) [AN0024023](#) [E6374G1](#)  
[e6389g2](#) [157-43GW8](#) [MS3117-14AC](#) [1643543-1](#) [1650540-1](#) [1651811-2](#) [1766260-1](#) [1766282-1](#) [1766966-1](#) [1791340000](#) [NLDFT-3-BL-L-](#)  
[S120-M40A](#) [NLDFT-N-W-L-C240-M40B](#) [NLS-2-R-C240-M40B](#) [NLS-N-W-C240-M40B](#) [NPS-3-BL-T6](#) [1986615-1](#) [2-1589900-8](#) [2199314-1](#)  
[KA8102](#) [9300480317](#) [SBS50BRN#6](#) [29131](#) [29652](#) [1646905-1](#) [1648320-1](#) [1648582-1](#) [1650195-2](#)