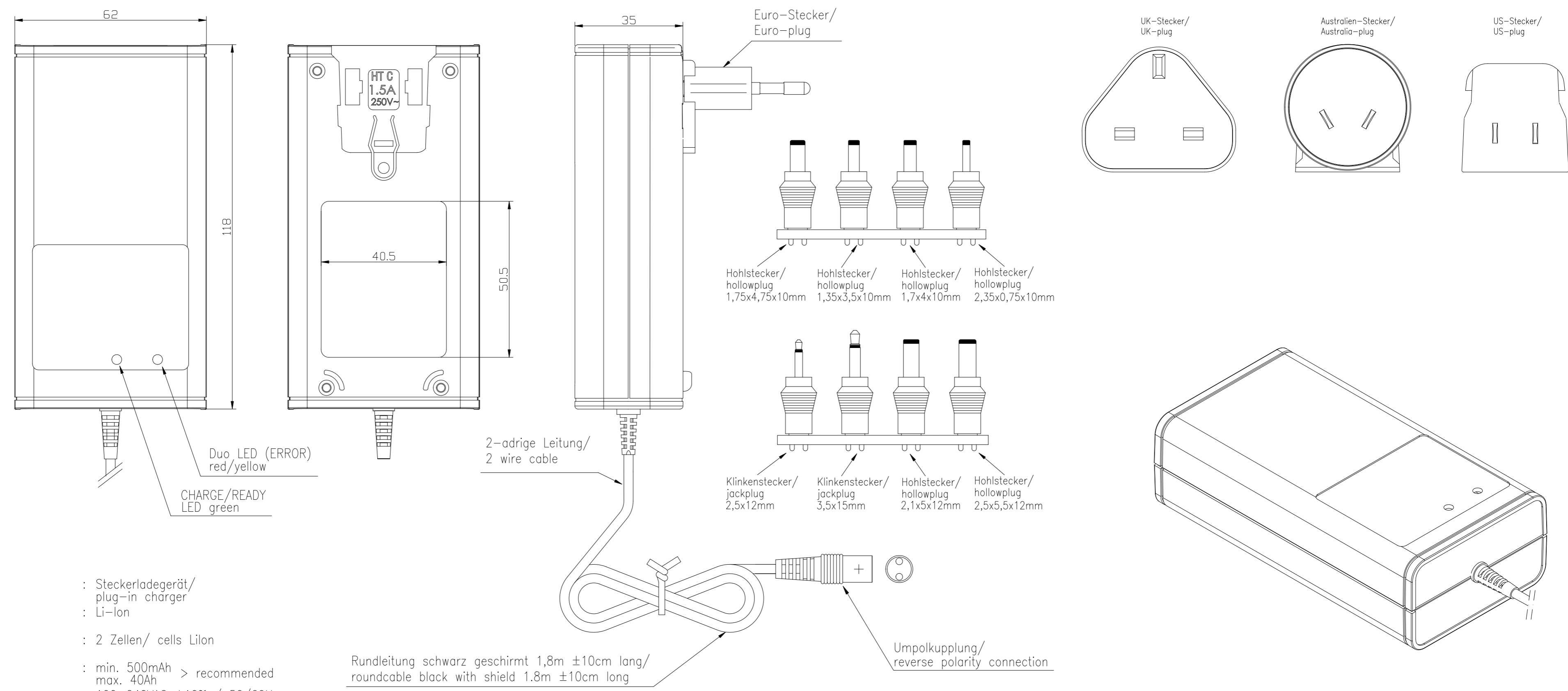
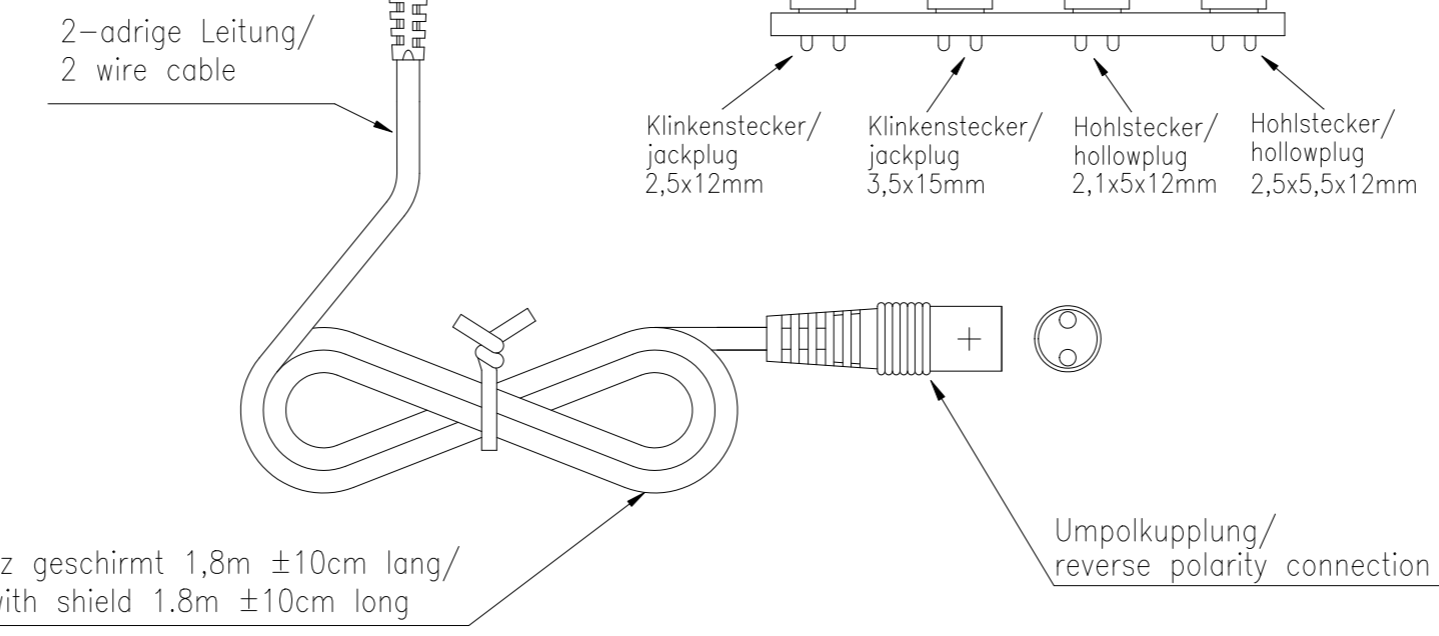


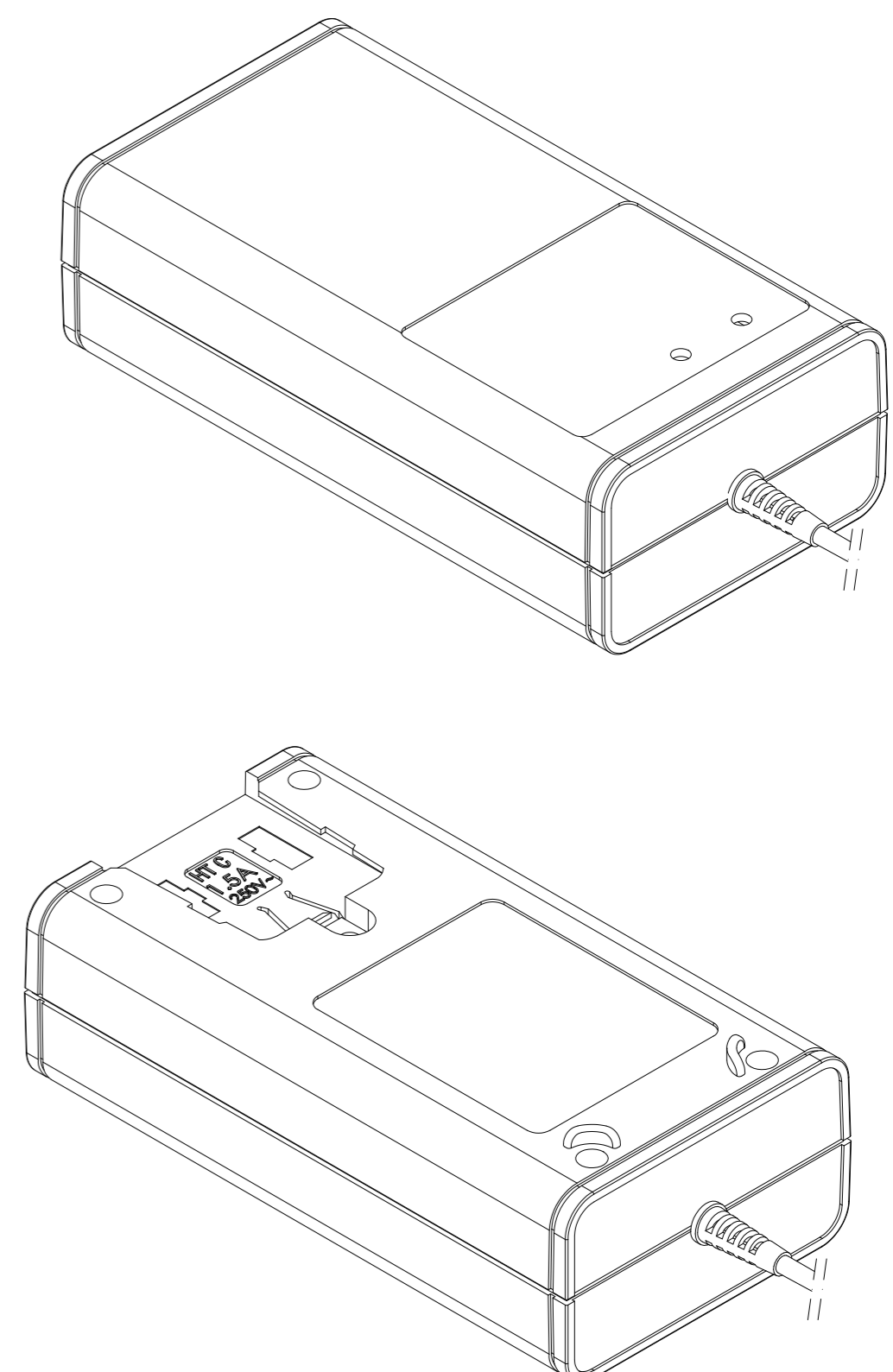
The supplier acknowledges that, with the acceptance of the drawings, the manufacturer is in a position to manufacture the illustrated part in accordance with the drawings in reproducible form and series production. Through the selected manufacturing processes no impairments will arise in the material and structure which could subsequently lead to an impairment of the components. Verbal agreements over and above that are not valid. Deviations from this rule must be written and must be signed by the purchaser.



- Technische Daten/ technical data : Steckerladegerät/ plug-in charger
 Chemie/ chemistry : Li-Ion
 Zellenzahl/ no. of cells : 2 Zellen/ cells Lilon
 ladbare Kapazität/ loadable capacity : min. 500mAh > recommended max. 40Ah
 Eingangsspannung/ input voltage : 100-240VAC ±10% / 50/60Hz
 Eingangs-Schutz/ primary electrical protection : Sicherung T1.6A fuse
 Leistungsaufnahme im Leerlauf/ stand-by power consumption : < 0.8W
 Ableitstrom/ Leakage current : < 100uA
 Ausgangsspannung im Leerlauf/ no load output voltage : approx. 8V...16.8V
 Nennausgangsspannung/ nominal output voltage : 7.4VDC
 Vorladestrom/ pre-charge current : 50...500mA ±20% / 2.5V...3VDC per cell
 Nennladestrom/ nominal charge current : 1300mA ±10%
 Ladeschlussspannung/ charge end voltage : 8.4VDC ±1%
 Ladeschlussstrom/ charge end current : 400mA ±10%
 Wiedereinschaltspannung/ restart voltage : 3.9V...4.1VDC per cell
 Rückstrom ohne Netzspannung/ reverse current without AC : < 500uA bei/ at 4.2VDC per cell
 Ausgangs-Schutz/ secondary electrical protection : elektronisch gegen Kurzschluss und Verpolung/ electronical against short circuit and wrong polarity
 Akku-Vollererkennung/ battery full detection : CC-CV Ladung/ CC-CV charge mode
 Sicherheitstimer/ safety timer : ---
 Spannungsfestigkeit/ electric strength : 4 kV Eingang/Ausgang primary/secondary
 Schutzklasse/ protection class : II
 Betriebstemperatur/ operating temperature : 0°C...+40°C
 Lagertemperatur/ storage temperature : -25°C...+70°C
 Software No.: 0022



- Nettogewicht/ net weight : 250g
 Gehäuse/ case : Steckergehäuse, schwarz, Typ/ AH30WNS plug-in housing, black, type
 Gehäusematerial/ case material : PC plastic UL94V-0
 Leiterplattenmaterial/ pcb material : FR4
 Schutzart/ case protection : IP 30
 Typenschild Vorderseite/ ratingplate front : silberner Aufkleber mit schwarzer Bedruckung/ silver label with black printing
 Typenschild Rückseite/ ratingplate back : silberner Aufkleber mit schwarzer Bedruckung/ silver label with black printing
 Anleitungen/ instructions : mehrsprachig/ multilingual
 Approbationen/ approvals : CE, (SAA, UL by TUV SUD, FCC & CISPR14 pending)
 Normen/ standards : IEC/EN60335-2-29, UL1310
 Anzeige/ indicator : kein Akku/ no battery
 Laden/ charge : LED's aus/ LED's off
 : CHARGE LED blinkt grün 1Hz/ CHARGE LED flashes green 1Hz
 Akku geladen/ battery charged : READY LED leuchtet grün/ READY LED lights green
 Fehler/ fault : READY LED blinkt rot 2Hz/ READY LED flashes red 2Hz
 (Unter-, Überspannung, Kurzschluß)/ (under-voltage, over-voltage, short circuit)



Application range for inquiry IS-2014-00795-31		Allowable deviation general tolerances		Surface		Model:		Material:	
		DIN ISO 2768-m				Scale (DIN A2): 1:1		All dimensions in mm	
		2016		Date		Name		Drawing name	
		Drawn by		26.10.		SK		IPC 30 Li - 2S - 1300mA	
		Approved by						Drawing number Part number	
								2000-0001-07	
Version		Date		Name		Project:		Replaced by:	
V0		---		20.04.18		CB		Project: 00795	
Change								Replacemnt through:	
								Sheet 1/1	

This drawing may not be copied, reproduced or made available to third parties in any way without the written or prior written approval.

X-ON Electronics

Largest Supplier of Electrical and Electronic Components

Click to view similar products for [Wall Mount AC Adapters](#) category:

Click to view products by [Ansmann](#) manufacturer:

Other Similar products are found below :

[ADP-163 E](#) [ADP-167 J](#) [ADP-159 A](#) [PSAC05A-050L6](#) [DA10-050US](#) [WSU075-1000-R13](#) [WSU120-2000-R13](#) [WSU180-1330-13](#) [WSU120-2000-13](#) [WSU150-0800-13](#) [WSU075-3200-13](#) [WSU090-2500-13](#) [WSU050-2000-R13](#) [WSU240-1000-13](#) [WSU150-0560-13](#) [WSU240-0500-R13](#) [WSU075-1500-13](#) [WSU050-3000-13](#) [WSU120-1500-13](#) [WSU150-1200-13](#) [WSU120-1500-R13](#) [WSU240-0750-13](#) [WSU090-2500-R13](#) [WSU240-1500-13](#) [WSU180-0660-13](#) [WSU090-1300-13](#) [WSU050-1500-13](#) [WSU090-0800-13](#) [WSU120-0700-13](#) [WSU045-3000-13](#) [WSU150-0560-R13](#) [WSU120-3000-13](#) [WSU120-1000-R13](#) [WSU090-1300-R13](#) [WSU075-1000-13](#) [WSU060-1250-R13](#) [WSU060-1250-13](#) [WSU045-1500-R13](#) [PSAC05A-050L6M](#) [392007-01](#) [AC PLUG-AU3](#) [AC PLUG-MIX3](#) [TRE-A](#) [223-00011](#) [223-00012](#) [AA20R-480A-R](#) [223-00010](#) [KT1001US](#) [BB-SMI6B12V-P230C1](#) [FPBAG1-H](#)