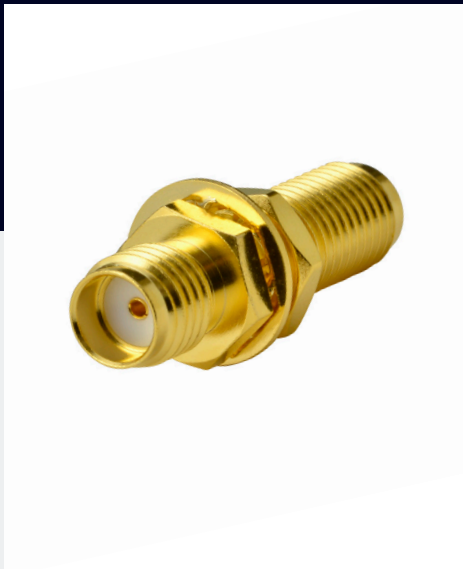


DATASHEET

ADSS047 • RF ADAPTER



Description

- RF Adapter SMA Jack to SMA Jack
- Dimensions: 22.2mm x 8mm

Contents

1. Features	2
2. General data	2
3. Part number	3
4. Drawing	3
5. Hazardous Material Regulation Conformance	4

1. Features

RF Adapter converts between a SMA (F) Jack to SMA (F) Jack

Durable connector with >500 connect/disconnect cycles

Low insertion loss

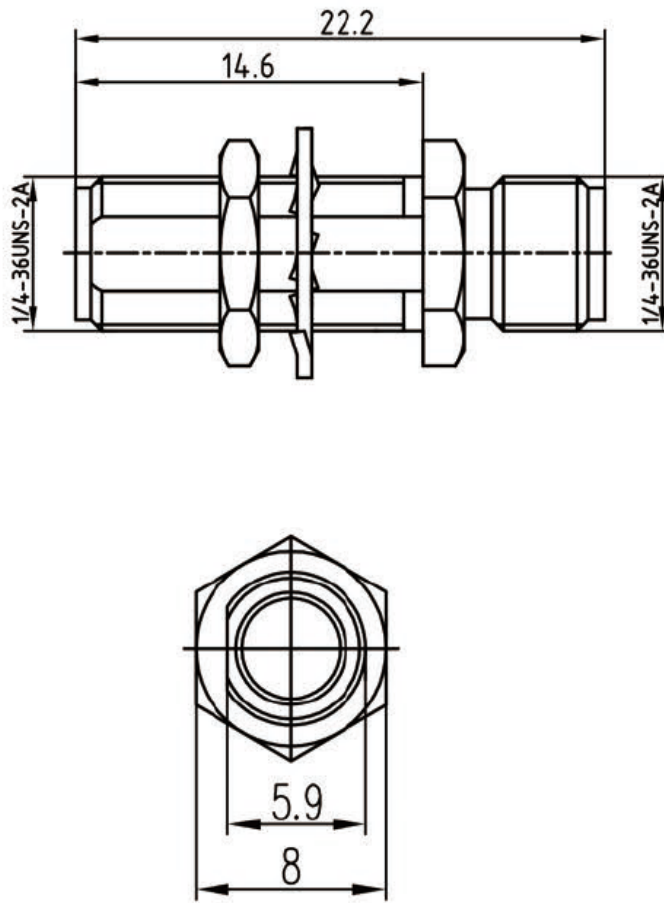
2. General data

ELECTRICAL	
Impedance	50Ω
Frequency Range	DC ~ 6GHz
Working Voltage	Max ≤ 335 Vrms
Dielectric Withstanding Voltage	1000 Vrms
Insulation Resistance	≥ 1000MΩ
Center Contact Resistance	≤ 10mΩ
Outer Contact Resistance	≤ 5mΩ
VSWR	≤ 1.2
Durability	> 500 cycles
MECHANICAL	
Connector Dimensions	22mm * 8mm
Connector 1 Type	SMA Jack
Connector 2 Type	SMA Jack
ENVIRONMENTAL	
Hazardous Material Regulation	RoHS compliant
Operating Temperature	-55°C to +155°C

3. Part number

Part Number – ADSS047

4. Drawing



		MATERIAL	FINISH	QTY
1	Body	Brass	Gold	1
2	Insulator	PTFE	White	1
3	Contact Pin	Beryllium Copper	Gold	1

5. Hazardous Material Regulation Conformance

The connector has been tested to conform to RoHS requirements.
A certification of conformance is available from Antenova's website.

Quality statements

Antenova's products conform to REACH and RoHS legislation. For our statements regarding these and other quality standards, please see antenova.com.



Antenova reserves all rights to the contents of this document. Antenova gives no warranties based solely on the accuracy or completeness of the contents of this document and reserves the right to make changes to the specifications of the products described herein at any time and without notice.

Datasheet version
1.01 release Apr 15 2023

Antenna design, integration and test resources

Product designers – the details contained in this datasheet will help you to complete your embedded antenna design. Please follow our technical advice carefully to obtain optimum antenna performance.

We aim to support our customers to create high performance wireless products. You will find a wealth of design resources, calculators and case studies to aid your design on our website.

Antenova's design laboratories are equipped with the latest antenna design tools and test chambers. We provide antenna design, test and technical integration services to help you complete your design and obtain the required certifications.

If you cannot find the antenna you require in our product range, please contact us to discuss creating a custom antenna to meet your exact requirements.

Share knowledge with RF experts around the world.

ask.antenova is a global forum for designers and engineers working with wireless technology.

[VISIT ASK.ANTENOVA](https://ask.antenova.com)

Visit [antenova.com](https://www.antenova.com)

Order antenna samples and evaluation boards, and read our antenna resources

[VISIT ANTENOVA.COM](https://www.antenova.com)

Request a volume quotation for antennas:

sales@antenova.com

Global headquarters

Antenova Ltd, 2nd Floor Titan Court, 3 Bishop Square, Hatfield, AL10 9NA

+44 (0) 1707 927589

X-ON Electronics

Largest Supplier of Electrical and Electronic Components

Click to view similar products for [RF Adapters - Between Series](#) category:

Click to view products by [Antenova](#) manufacturer:

Other Similar products are found below :

[5945-9503-000](#) [ADPL75-A1-PL75](#) [BJ158FL](#) [242191](#) [ADBJ20-E2-BJ79](#) [ADBJ77-A1PL3155](#) [242190](#) [25-7580TP](#) [M55339/51-00001](#) [UAD95](#)
[242201RP](#) [29-3840P](#) [242235](#) [TM-FMEM-NDS-50](#) [AD-MQF-QCM-PM-2.5](#) [AD-QCF-QCF-SP-2.5](#) [AD-HQM-QCM-PM-2.5](#) [AD-MQM-](#)
[QCM-PM-2.5](#) [AD-HQF-QCM-PM-2.5](#) [CT2771](#) [CT2762](#) [CT3391](#) [CT3387](#) [SMPP\(FD\)-HKP](#) [ADBJ377-A1-PL74](#) [VA301](#) [ADT-2681-NM-](#)
[SMF-02](#) [000-78875](#) [ADUBJ20-E1-PL375](#) [AD-UBJ20-E1-BJ89](#) [CT2940](#) [CT3389](#) [000-2900](#) [R191630007](#) [1057377-1](#) [321-203-001 \(SMA-50-](#)
[R/2-RG58/W3.01\)](#) [321-350-001 \(SMA-50-R/2-RG316/N2.01\)](#) [RF2-02-T-02-50-G](#) [RF2-03-T-00-50-G](#) [4295](#) [1269#](#) [1270](#) [BNC\(75\)J-H.FLJ-](#)
[BPA-V\(40\)](#) [1296](#) [1297](#) [400PSM-CR](#) [1468](#) [02K118-K00S3](#) [53K164-S00N1](#) [53S164-K00N1](#)