

## Next Generation of Multi-File Video Recording

The most beautiful memories deserve preservation with the highest video specifications! Apacer SD 5.0 UHS-I card series are equipped with multiple protections and high durability to ensure uninterrupted video recording in the harsh environments. By complying with SD Association's latest 5.0 (Video Speed Class 30) standard and the UHS-I (Ultra High Speed – I) standard, the demand for 4K video recording has been escalating as sports and aerial photography has become a fashion in recent years. The SD cards are highly tailored for 4K video recording to significantly reduce file transmission time.

The SD 5.0 Video Speed Class standard is a recently announced standard by the SD specification association delivers real-time multi-file recording for many applications and supports the highest video resolutions and qualities available today.

Apacer SD 5.0 UHS-I series comes in various capacities, offering the right memory space for precious pictures and videos.

### Applications

- IP Cam
- Extreme Sports Camera
- 4K Digital Recorder
- Surveillance equipment

### Features:

- Supports SD System Specification Version 5.0
- Supports SDHC up to 32 GB; SDXC up to 2 TB;
- Video Speed Class 30 **V30** (minimum transfer speed over 30MB/s), ideal for High Resolution images and Ultra HD videos
- UHS-I: Ultra High Speed-I **U3**
- ECC

## General Product Specifications

Specifications	
Interface	SD Specification Version 5.0
Interface speed	Video Speed Class 30 <b>V30</b> UHS-I <b>U3</b> (Indicate Speed Class 3 on UHS-I Interface)
Capacity*	32GB-256GB
Form Factor	SDHC or SDXC
Protection	Write Protect mechanical switch
Operating Voltage	2.7V to 3.6V
Dimensions	(L)32 x (W)24 x (H)2.1 mm
Temperature	Operating     -25°C to 85°C
	Storage       -40°C to 85°C
Humidity	Operating: RH=93% under 25°C non-condensing
	Storage: RH=93% under 40°C non-condensing
Drop test**	1.5m free fall
Torque test**	0.15N-m or ±2.5 deg.
Switch Cycles test	Slide 0.4N to 5N
Warranty	Limited product lifetime warranty
Certifications	RoHS, CE, FCC, VCCI, RCM

\*Unformatted. Theoretically, 1GB=1,000,000,000 Bytes. Under operating systems, the capacity might appear to be less than the theoretical capacity because the calculation in OS is based on 1 GB = 1024 MB / 1MB =1024KB and a minority of the capacity is reserved for maintenance purposes.

\*\*Drop test and Torque test results are subject to change without notice

### Global Offices

#### Taiwan (HQ)

**Apacer Technology Inc.**  
 1F., No.32, Zhongcheng Rd.,  
 Tucheng Dist.,  
 New Taipei City 236, Taiwan  
 R.O.C.  
 Tel: 886-2-2267-8000  
 Fax: 886-2-2267-2261  
[amtsales@apacer.com](mailto:amtsales@apacer.com)

#### U.S.A

**Apacer Memory America, Inc.**

386 Fairview Way, Suite102,  
 Milpitas, CA 95035  
 Tel: 1-408-518-8699  
 Fax: 1-408-935-9611  
[sa@apacer.com](mailto:sa@apacer.com)

#### Japan

**Apacer Technology Corp.**  
 5F, Matsura Bldg., Shiba,  
 Minato-Ku  
 Tokyo, 105-0014, Japan  
 Tel: 81-3-5419-2668  
 Fax: 81-3-5419-0018  
[jpservices@apacer.com](mailto:jpservices@apacer.com)

#### Europe

**Apacer Technology B.V.**  
 Science Park Eindhoven  
 5051 5692 EB Son,  
 The Netherlands  
 Tel: 31-40-267-0000  
 Fax: 31-40-267-0000#6199  
[sale@apacer.nl](mailto:sale@apacer.nl)

#### China

**Apacer Electronic (Shanghai) Co., Ltd**  
 1301, No.251, Xiaomujiao  
 Road, Shanghai,  
 200032, China  
 Tel: 86-21-5529-0222  
 Fax: 86-21-5206-6939  
[sales@apacer.com.cn](mailto:sales@apacer.com.cn)

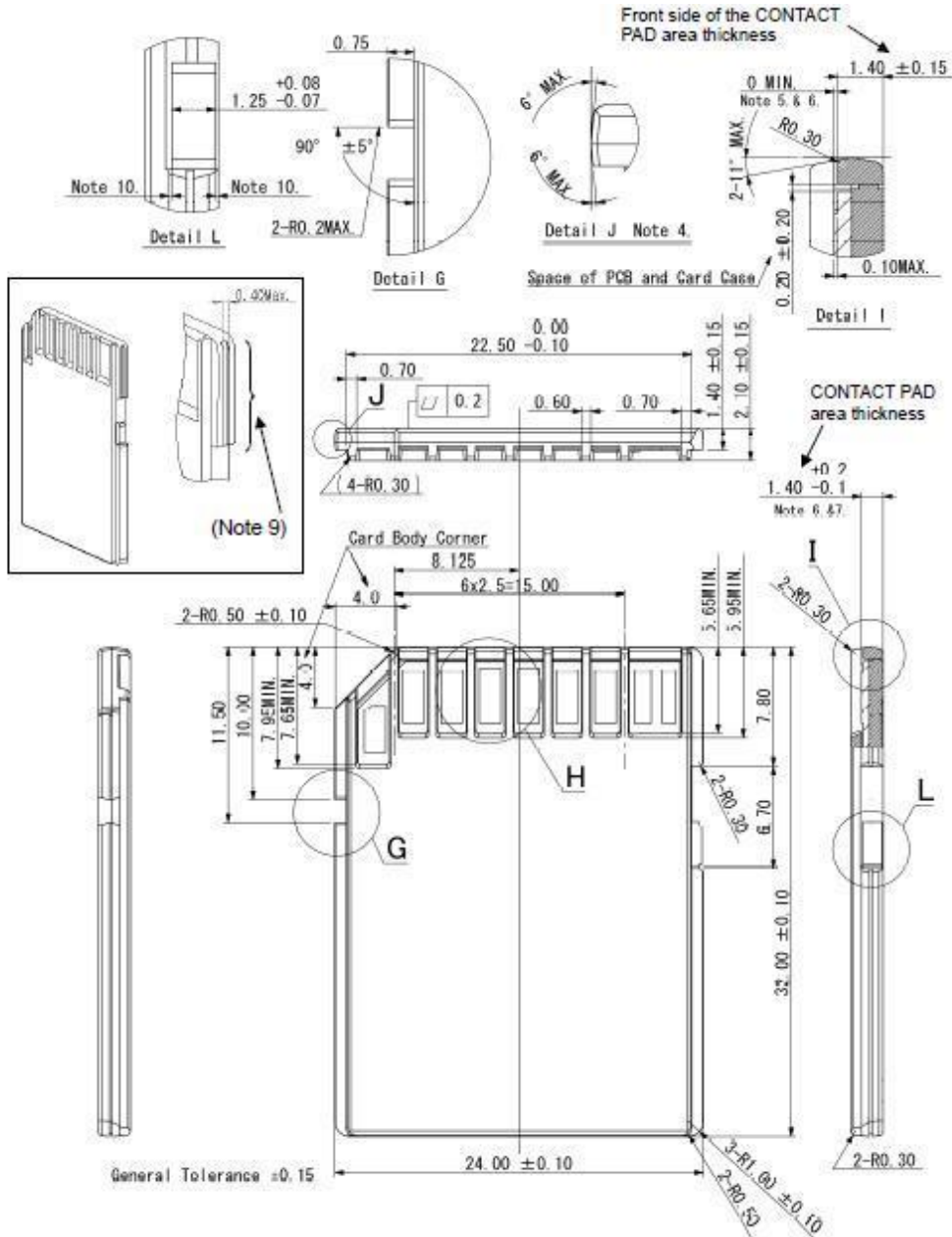
#### India

**Apacer Technologies Pvt**

**Ltd,**

# 535, 1st Floor, 8th cross,  
 JP Nagar 3rd Phase,  
 Bangalore – 560078, India  
 Tel: 91-80-4152-9061  
[Sales\\_india@apacer.com](mailto:Sales_india@apacer.com)

Physical Characteristics



**SD Card 5.0**  
**APXXXXSDHC10U7-X / APXXXXSDXC10U7-X**



## Ordering Information

Speed	Capacity	P/N
UHS-I U3 V30	32GB	AP32GSDHC10U7-X
	64GB	AP64GSDXC10U7-X
	128GB	AP128GSDXC10U7-X
	256GB	AP256GSDXC10U7-X

## Revision History

Version	Description	Date
1.0	Preliminary release	2019/04/24

### Apacer Technology Inc.

1F, No.32, Zhongcheng Rd., Tucheng District,  
New Taipei City, Taiwan, R.O.C  
Tel: +886-2-2267-8000 Fax: +886-2-2267-2261  
www.apacer.com

Copyright © 2019 Apacer Technology Inc. All Rights Reserved.  
Information in this document is subject to change without prior notice.  
Apacer and the Apacer logo are trademarks or registered trademarks of Apacer Technology Inc. Other brands,  
names, trademarks or registered trademarks may be claimed as the property of their respective owners.

## X-ON Electronics

Largest Supplier of Electrical and Electronic Components

*Click to view similar products for [Memory Cards](#) category:*

*Click to view products by [Apacer](#) manufacturer:*

Other Similar products are found below :

[SQF-ISDS1-8G-21C](#) [SQF-S10M2-256G-S9E](#) [SQF-P10M1-4G-P9C](#) [CAE1B256GTFDWB00EAA0](#) [1061701](#) [CAE1B064GTFDWB00EAA0](#)  
[CAE1B128GTFDWB00EAA0](#) [LMEX1L128GG2](#) [LMEX1L256GG2](#) [LNEX1L016GG4](#) [LNEX1L032GG4](#) [LNEX1L064GG4](#)  
[LMEX1L016GG2](#) [LMEX1L032GG2](#) [LMEX1L064GG2](#) [SDUU1-008PDG](#) [SDUU1-0163CG](#) [SDUU1-0163SG](#) [SDUU1-0323SG](#) [SDUU1-](#)  
[0643SG](#) [SDUU1-1283SG](#) [SDC2GGSGRB](#) [SDSDUN4-032G-GN6IN](#) [SDSDUN4-064G-GN6IN](#) [SDSDUN4-128G-GN6IN](#) [SDSDUN4-256G-](#)  
[GN6IN](#) [SDSQUA4-032G-GN6IA](#) [SDSQUA4-032G-GN6MA](#) [SDSQUA4-064G-GN6IA](#) [SDSQUA4-064G-GN6MA](#) [SDSQUA4-128G-GN6IA](#)  
[SDSQUA4-128G-GN6MA](#) [SDSQUA4-256G-GN6MA](#) [SDSQUA4-400G-GN6MA](#) [SDSQUNR-032G-GN3MN](#) [SDSQUNR-064G-GN3MN](#)  
[SDSQXAO-256G-GNCZN](#) [SDU16GCMGRB](#) [SDU4GCMGRB](#) [SDUC6-002PCG](#) [SFCA2048H1AO4TO-I-MA-216-STD](#)  
[SFSD2048N1BN1WI-I-QF-111-STD](#) [SFSD1024N1BN1WI-I-DE-111-STD](#) [SFCF0256H1BK1WI-I-MS-513-STD](#) [SFCF0128H1BK1WI-I-MS-](#)  
[513-STD](#) [SFSD2048L1BN1WI-I-QF-111-STD](#) [SFSD0512N1BN1WI-I-ME-111-STD](#) [SFSD128GL2AM1TO-I-7G-2A1-STD](#) [SDSDAF4-](#)  
[256G-I](#) [SDSDAF4-512G-I](#)